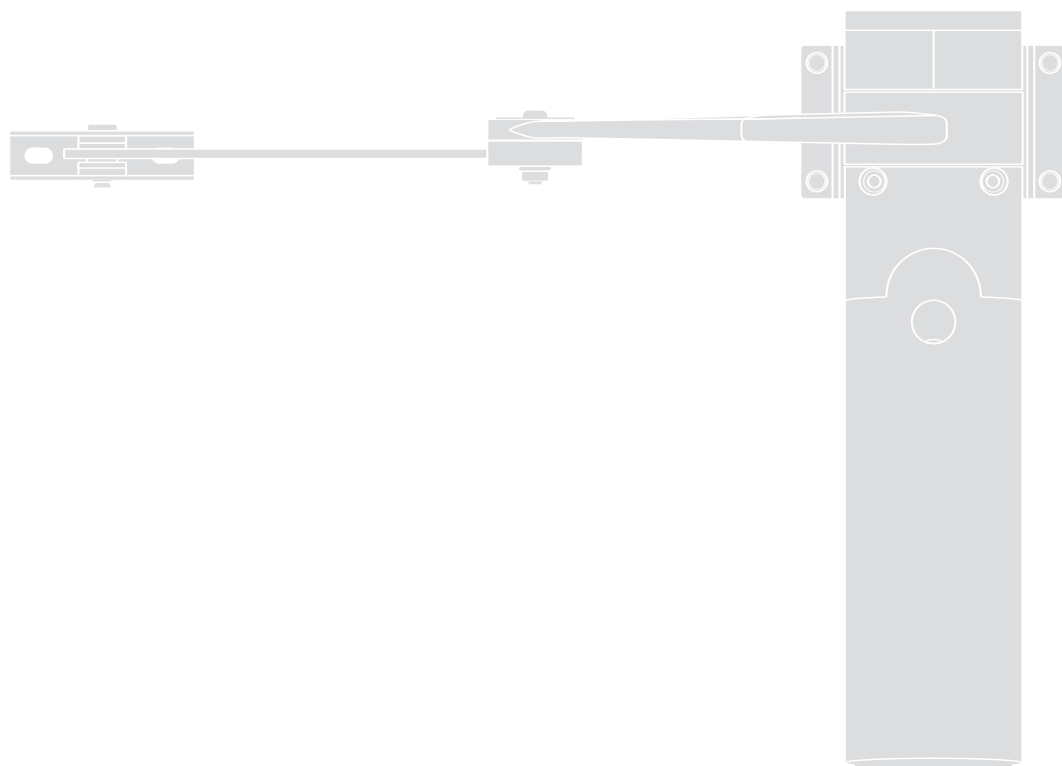


WALKY

WL1024
WL1024C



Swing gate opener



EN - Instructions and warnings for installation and use

IT - Istruzioni ed avvertenze per l'installazione e l'uso

FR - Instructions et avertissements pour l'installation et l'utilisation

ES - Instrucciones y advertencias para la instalación y el uso

DE - Installierungs-und Gebrauchsanleitungen und Hinweise

PL - Instrukcje i ostrzeżenia do instalacji i użytkowania

NL - Aanwijzingen en aanbevelingen voor installatie en gebruik

Nice

Contents

1 - WARNINGS AND GENERAL PRECAUTIONS	1
1.1 - Safety warnings	1
1.2 - Warnings for installation	1
1.3 - Warnings for use	1
2 - PRODUCT DESCRIPTION AND INTENDED USE	1
3 - INSTALLATION	2
3.1 - Pre-installation checks	2
3.2 - Usage limitation	2
3.3 - Preparatory work prior to installation	2
3.4 - Installation of the gearmotor mod. WL1024C - WL1024	3
3.4.1 - Establishing the length of the gearmotor arm	3
3.4.2 - Installation of a gearmotor with a STANDARD LENGTH ARM	3
3.4.3 - Installation of a gearmotor with a SHORTENED ARM	4
3.5 - Installation of the multi-purpose lamp mod. WLT on the gearmotor model WL1024C	4
3.6 - How to remove the control unit	5
3.7 - Adjusting the alignment of the gate leaves when closed	5
3.8 - Securing and releasing the gearmotor manually	5
4 - ELECTRICAL CONNECTIONS	5
4.1 - Description of the electrical connections	5
4.2 - Connecting the power cable	6
4.3 - Connecting the gearmotor without a control unit mod. WL1024	5
4.4 - Connecting other devices	5
4.5 - Addressing the connected devices	6
4.6 - Initialisation and connection check	6
4.7 - Recognition of the connected devices	6
4.8 - Recognition of the positions of the mechanical stops	6
4.9 - Gate leaves motion check	6
5 - TESTING AND COMMISSIONING	6
5.1 - Testing	7
5.2 - Commissioning	7
6 - PROGRAMMING THE CONTROL UNIT	7
6.1 - Level one programming (ON-OFF)	7
6.2 - Level two programming (adjustable parameters)	8
6.3 - Memory deletion	8
6.4 - Special functions	8
7 - WHAT TO DO IF... (troubleshooting guide)	9
8 - FURTHER INFORMATION	10
8.1 - Connection of the OXI radio receiver	10
8.2 - Connection and installation of the back-up battery mod. PS424	10
8.3 - Connection of the Oview programmer	10
8.4 - Connection of the Solemyo solar power system	10
9 - PRODUCT MAINTENANCE	10
DISPOSING OF THE PRODUCT	11
PRODUCT TECHNICAL SPECIFICATIONS	11
Product life span	12
EC DECLARATION OF CONFORMITY	12
APPENDIX	I
Instructions and warnings for the user	III
Images	X

1 WARNINGS AND GENERAL PRECAUTIONS

1.1 - Safety warnings

- **IMPORTANT!** – This manual contains important instructions and warnings regarding safety. Incorrect installation may cause serious injury. Before commencing work, all sections of the manual must be read carefully. If in any doubt, suspend installation and call the Nice Support Service for clarification.
- **IMPORTANT!** – This manual contains important instructions. Keep it for future maintenance work and disposal of the product.
- **IMPORTANT!** – Under the latest European legislation, automatic door and gate installations must be compliant with the standards specified in Directive 2006/42/EC (formerly 98/37/EC) (the Machinery Directive) and the standards EN 12445, EN 12453, EN 12635 and EN 13241-1 in particular, which enable conformity of the automated functionality to be declared. **In the light of the above, all work involving installation, connection, testing and maintenance of the product must be carried out exclusively by qualified and competent technicians!**

1.2 - Warnings for installation

- Before commencing the installation, check if the product is suitable for the desired type of use (see "Usage limitation" paragraph 3.2 and the "Product technical specifications"). If it is not suitable, DO NOT continue with the installation.
- **All installation and maintenance work must be carried out with the automation system disconnected from the electricity supply.** If the power disconnection device cannot be seen from where the automation system is positioned, then before starting work a notice must be attached to the disconnection device bearing the words "CAUTION! MAINTENANCE IN PROGRESS".
- The Control unit must be connected to an electricity supply line equipped with protective earthing.
- Handle the product with care during installation, taking care to avoid crushing, denting or dropping it, or contact with liquids of any kind. Keep the product away from sources of heat and naked flames. Failure to observe the above can damage the product, and increase the risk of danger or malfunction. Should this occur, suspend installation work immediately and contact the Nice Support Service.
- Do not modify any part of the product. Prohibited modifications can only lead to malfunctions. The manufacturer declines all responsibility for damage resulting from unauthorized changes made to the product.
- If the gate or door being automated has a pedestrian gate, then the system must include a control device that will inhibit the operation of the motor when the pedestrian gate is open.
- The product's packaging material must be disposed of in full compliance with local regulations.

1.3 - Warnings for use

- The product is not intended for use by persons, including children, with limited physical, sensory or mental capacities, or who lack experience or knowledge, unless supervised or trained in the use of the product by a person responsible for their safety.
- Any children near the automation system must be kept under supervision to ensure that they do not play with it.
- Do not allow children to play with the fixed control devices. Keep remote control devices out of the reach of children.

2 PRODUCT DESCRIPTION AND INTENDED USE

The devices comprising this product are designed to automate a gate or door with one or two leaves. **IMPORTANT!** – Any other use apart from that described herein, including in different environmental conditions from those described in this manual is to be considered improper use and is not permitted!

The principal component of the automation system comprises one or two electric gearmotors (according to the number of leaves to be automated), each equipped with a direct current motor and epicyclic reduction gear. One of the gearmotors (mod. WL1024C) has a control unit that controls its operation. The Control unit consists of a board with a radio receiver for receiving the commands sent by the transmitter.

The control unit is designed for connection to several devices belonging to the Opera system, the Bluebus system and the Solemyo solar powered system. If it is mains powered, it can house a back-up battery (mod. PS424, optional accessory) which in the event of a power cut (electricity black-out) guarantees that the automated device will perform certain manoeuvres in the hours that follow.

In the event of a power cut, the gate leaves can be moved by releasing the gearmotor with the dedicated key; to perform the manoeuvre manually please see chapter 3.8.

Other available accessories include the receivers designed with "SM" connectors (SMXI, OXI, etc.).

The gearmotor with control unit (mod. WL1024C) is designed to accommodate the installation of the multi-purpose lamp mod. WLT (see chapter 3.5), which can operate as a flashing emergency light or courtesy light, depending on the control unit programming. In addition, it can be used as a twilight by activating a built-in light sensor; please refer to the relevant instruction manual for specifications.

3 INSTALLATION

3.1 - Pre-installation checks

Before going ahead with the installation, check the integrity of the product components, and ensure the model chosen is suitable for its intended use and for the environment in which it is to be installed.

- Check that all the material to be used is in excellent condition and suitable for its intended use.
- Check that the ground-mounted mechanical stops (not supplied), are present both when opening and closing the automation system.
- Check that the mechanical structure of the gate is suitable for the installation of automation and compliant with locally applicable regulations (if necessary, refer to the label on the gate). This product cannot be used to automate a gate which is not already in good, safe working order, neither can it fix faults caused by incorrect installation or poor maintenance of the gate.
- Check that the operating conditions of the devices are compatible with the usage limitation declared (see paragraph 3.2).
- Move the gate leaves manually in both directions and ensure that the resistance to movement is constant at all points of travel (there should not be any points where more force or less is required).
- Bring the gate leaves manually into a position at random, then let go and check that they remain stationary.
- Check that the gearmotor fixing zone is compatible with its overall dimensions (fig. 1).
- Check that the place where the gearmotor is to be installed allows enough space for its arm to execute its full range of movement.
- Check that there is sufficient room around the gearmotor for it to be released manually when required.
- Ensure that the surfaces on which the various devices are to be installed are strong and capable of ensuring a firm hold.
- Ensure that each device is installed in a position which is protected and does not expose it to accidental impacts.
- Ensure that all the electrical cables to be used are the type listed in Table 1.

3.2 - Usage limitation

Before installing the gearmotor, check that its data complies with the usage limitation specified below and falls within the limits stated in the chapter entitled "Product technical specifications":

With FULL LENGTH motor arm (as shipped from the factory):

- maximum width of leaf: 1,80 m (= maximum weight of leaf: 100 kg)
- maximum height of leaf: 2 m

With SHORTENED motor arm (cut by the installer):

- maximum width of leaf: 1,60 m (= maximum weight of leaf: 100 kg)
- maximum height of leaf: 2 m

• Check to run: apply to Graph 1 the weight and width of the leaf; plot two lines from these points and check that they intersect in one of the two grey areas of the graph. **Important!** - If the lines cross in the white area, this product cannot be used to automate this particular gate.

• To enable the installation of the gearmotor, the **minimum width** of the column should be 80 mm.

• The gearmotor arm must be positioned in the **upper part** of the gate leaf.

IMPORTANT! - The gearmotor must not be mounted upside down, i.e. with the arm pointing downwards.

• The arm's fastening bracket must be fitted at one of the strongest parts of the leaf (e.g. the frame), in order to ensure a firm and safe hold;

• Check **distance "E"** (fig. 7):

- If **distance "E"** falls in the range 80 mm (minimum) to 299 mm (maximum), the gearmotor arm will need to be shortened. In such conditions, the leaf will be able to open by up to 90°.

- If **distance "E"** is 300 mm or more, there is no need to shorten the gearmotor arm. In such conditions, the leaf will be able to open by up to 110°.

3.3 - Preparatory work prior to installation

Fig. 2 illustrates an example of an automated system, achieved using Nice components (some components may not be included in the kit):

a - Gearmotor with control unit mod. WL1024C

b - Gearmotor without control unit mod. WL1024

c - Multi-purpose lamp mod. WLT (to be installed on the gearmotor with control unit mod. WL1024C); see chapter 3.5 and the lamp's own instruction manual

d - Pair of photocells mod. MOFB

e - Digital keyboard (mod. MOTB) - Transponder reader (mod. MOMB) - Key selector (mod. MOSE)

f - Pair of photocell posts

g - Opening and Closing mechanical stops

h - Electrical lock

These components are positioned according to a typical standard layout. Referring to fig. 2, establish the approximate position in which to install each component required for the system. **Important** – Before commencing installation, prepare the electrical cables necessary for your system, referring to fig. 2a and to "Table 1 - Technical characteristics of the electrical cables".

Important – While laying the tubes for the electrical cables, consider that due to the possible build-up of water in the aqueducts, the connection tubes could cause condensation to form inside the control unit and damage the electronic circuits.

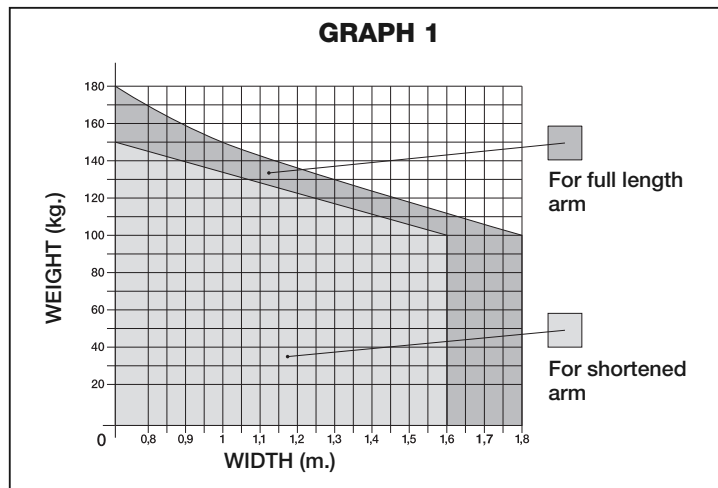


TABLE 1 - Technical characteristics of the electrical cables

Connection	Type of cable	Maximum permitted length
A: POWER cable	One 3 x 1.5 mm ² cable	30 m (note 1)
B: ELECTRICAL LOCK cable	One 2 x 1 mm ² cable	6 m
C: BLUEBUS DEVICES cable	One 2 x 0.5 mm ² cable	20 m (note 2)
D: KEY SELECTOR cable	Two 2 x 0.5 mm ² cables (note 3)	50 m
E: GEARMOTOR POWER cable	One 3 x 1.5 mm ² cable	6 m
EXTERNAL AERIAL cable (optional)	One type RG58 screened cable	20 m (recommended less than 5 m)

Note 1 – If the power cable is more than 30 m long, you will need to use a cable with a wider cross-section (3 x 2.5 mm²) and you will have to install protective earthing near the automation system.

Note 2 – If the Bluebus cable is more than 20 m long, and up to a maximum of 40 m long, you will need to use a cable with a wider cross-section (2 x 1 mm²).

Note 3 – These 2 cables can be replaced with 1 single 4 x 0.5 mm² cable.

IMPORTANT! – The cables used must be suitable for the type of environment where they are installed.

3.4 - Installation of the gearmotor mod. WL1024C - WL1024

WARNINGS

- Failure to install correctly can cause serious injury to the person carrying out the work and those using the system.
- Before starting to assemble the automation system, carry out the preliminary checks described in paragraphs 3.1 and 3.2.
- The gearmotor arm can be shortened from the standard length provided. It needs to be reduced in length if there is a fixed obstacle close to the gearmotor (such as a wall or post) impeding the full range of movement of the arm. In order to establish whether the arm needs to be shortened, it is therefore necessary to follow the procedure in 3.4.1 before starting the installation.

Assemble the component parts of the motor arm, referring to fig. 3. Do not insert the Benzing retaining ring at this stage (fig. 4). **N.B.!** - The curved arm must be positioned with the curved part towards the gate leaf, as shown in fig. 5.

3.4.1 - Establishing the length of the gearmotor arm

01. Determine the VERTICAL position of the gearmotor:

draw a horizontal line on the column at the same height at which the fastening bracket for the arm will be located on the leaf once the installation is complete.

02. Determine the HORIZONTAL position of the gearmotor:

a) **Determine the maximum opening position of the leaf:** determine the maximum opening angle (maximum 110°).

b) **Measure distance B and determine distance A:**

1 - Measure **distance B** on the column (fig. 5). This is the distance between the fulcrum of rotation of the gate leaf and the surface of the column where the rear bracket of the gearmotor will be fixed.

2 - On **Graph 2A**, mark **distance B**, as just measured, and trace a vertical line from this point until it intersects with the **area** which includes the angle value measured in point a.

3 - At the points where the vertical line intersects with the area, trace horizontal lines across column "A", to determine the values which can be used for **distance A**. Then choose a value for A from this range, one of the smaller values if possible.

4 - Mark **distance A** on the column and trace a vertical line corresponding to it (fig. 6).

5 - If there is a wall or other immovable obstacle near the vertical line, measure the distance between this line and the obstacle (fig. 7): this is **distance E**.

IMPORTANT!

- If **distance E** falls in the range 80 mm (minimum) to 299 mm (maximum), continue the installation with procedure 3.4.3.
- If **distance E** is 300 mm or more, continue the installation with procedure 3.4.2.

5 - Release the gearmotor with the dedicated key (see chapter 3.8).

3.4.2 - Installation of a gearmotor with a STANDARD LENGTH ARM

Important! - This part of the installation can only be carried out after 3.4.1 has been completed.

01. Affix the gearmotor to the column (fig. 8):

a) Hold the gearmotor against the column(*) so that its vertical centre line corresponds with the vertical line traced earlier (distance A), and its arm corresponds with the horizontal line traced during procedure 3.4.1. Now ensure that the gearmotor is completely levelled: if off-axis, it can cause the automation to malfunction.

(*) **Note** - If the column surface is between 80 and 135 mm wide, then before continuing with the installation, the gearmotor's rear fastening bracket will need to be rotated by 90°. To rotate the bracket, refer to fig. 9.

b) Mark the fastening points, drill the required holes in the surface of the column and insert the plugs; now fix the gearmotor in place using suitable screws and washers.

02. Affix the gearmotor arm to the gate leaf (fig. 8):

c) Bring the gate leaf into the fully Closed position;

d) Push forcefully the gearmotor arm **to its maximum extension**. **Caution!** - Make sure the arm is locked in its end stop;

e) Bring the arm up to the gate leaf and hold the fastening bracket against the leaf.

f) Ensure that the gearmotor arm is levelled properly, and use a pencil to mark **the centre** of the slot profile on the bracket, to enable fine adjustments to be made to the closure alignment of the leaf in future (see paragraph 3.7).

g) Holding the bracket against the gate leaf with one hand, attempt to open and close the gate completely, up to the respective mechanical stops. **Important!** - If the movement of the arm is hampered during the test by a wall or other fixed object, stop working on this procedure and go to procedure 3.4.3.

h) Drill holes in the gate leaf at the points marked and remove the bracket from the arm and affix it to the gate leaf with suitable screws.

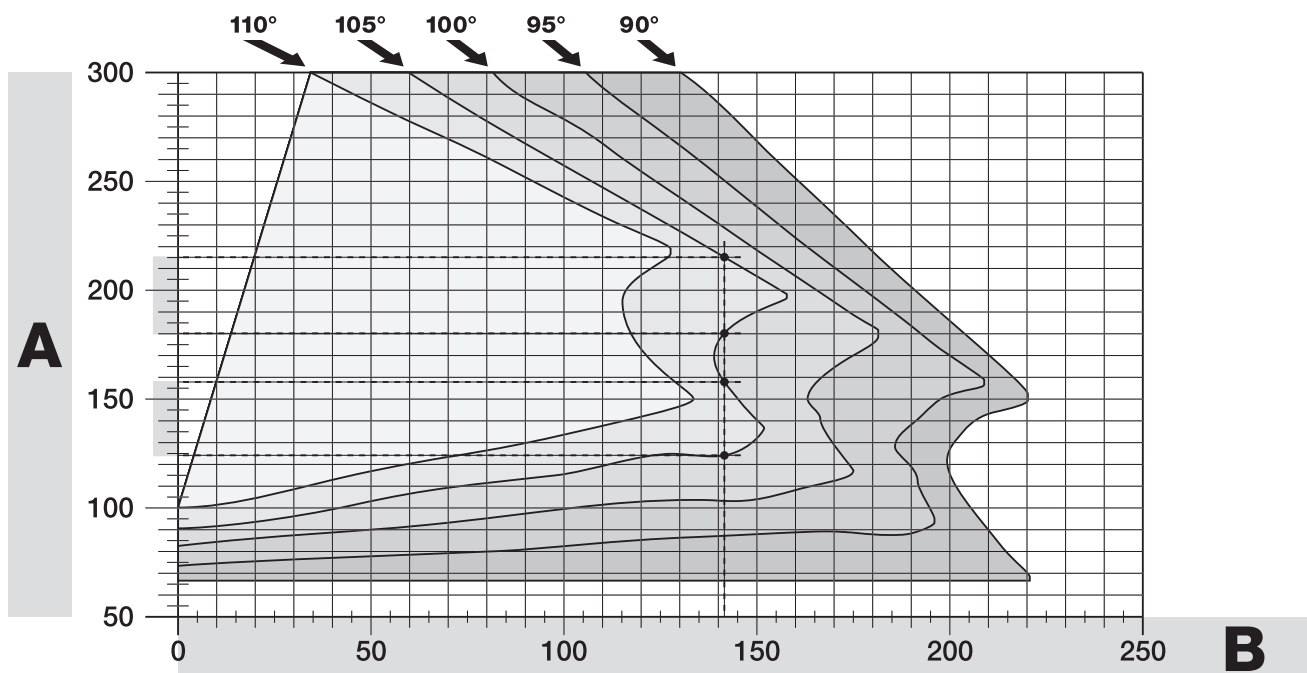
i) Attach the arm to the bracket, inserting the pin and the Benzing retaining ring. **Important** - Check that the bracket and the arm are completely level. Loosen the screws of the bracket and adjust as required to ensure level. This check can also be performed by measuring a distance of 75 mm (see fig. 8 phase 2).

l) Fix the end stops to the ground permanently, in the position determined at the start of the procedure. **Important!** - Check that the gate leaf closes completely against the end stop (not supplied).

m) Finally, bring the leaf manually to around its midpoint of travel and secure the gearmotor using the dedicated key (see chapter 3.8). Then manually open the leaf by a few more centimetres.

03. If the gate being automated has two leaves, then to install the other gearmotor repeat all the actions described here in chapter 3.4.

GRAPH 2A



3.4.3 - Installation of a gearmotor with a SHORTENED ARM

Important! - This part of the installation can only be carried out after 3.4.1 has been completed.

01. Determine a new maximum opening angle for the gate leaf (max 90°): ignoring the maximum opening position established for the leaf during procedure 3.4.1, bring the leaf to a new maximum opening position, ensuring that the angle does not exceed 90°. Then hold the gate leaf provisionally in this position using a ground-mounted stop.

02. Determine distances A - B - C:

a) Measure **distance B** (fig. 10) on the column. This is the distance between the fulcrum of rotation of the gate leaf and the surface of the column where the rear bracket of the gearmotor will be fixed.

b) On **Graph 2B**, mark **distance B** as measured, and trace a vertical line from this point.

c) On the column, determine the value for **distance A**, at which to mount the rear bracket of the gearmotor (refer to fig. 11). **N.B.!** - Choose a value for **A**, the smaller the better, in order to keep the motor free of the obstacle.

d) On **Graph 2B**, mark **distance A** as just measured and plot a horizontal line from this point until it intersects with the vertical line traced earlier. The meeting point of these lines defines **distance C**, i.e. the distance required between the two pins on the slotted arm (fig. 12). *Example from graph 2B: if the value of B is 105 mm and A is 143 mm, then point C is 182.*

03. Affix the gearmotor to the column (fig. 13):

a) Hold the gearmotor against the column (*) so that its vertical centre line corresponds with the vertical line traced earlier (distance A), and its arm corresponds with the horizontal line traced during procedure 3.4.1. Now ensure that the gearmotor is completely levelled: if off-axis, it can cause the automation to malfunction.

(*) **Note** - If the column surface is between 80 and 135 mm wide, then before continuing with the installation, the gearmotor's rear fastening bracket will need to be rotated by 90°. To rotate the bracket, refer to fig. 8.

b) Mark the fastening points, drill the required holes in the surface of the column and insert the plugs; now fix the gearmotor in place using suitable screws and washers.

04. Shorten the slotted arm (fig. 14):

a) To reduce the length of the slotted arm to **value C** (as established in point 02-d), unscrew the nut, remove the stop, adjust the two pins so that the distance between them is equal to value C, then fasten the nut in position **provisionally**.

05. Checking the length C of the slotted arm in this context (fig. 15 - 16):

a) Bring the gate leaf into the fully Closed position;

b) Fully open the gearmotor arm to its maximum extent (see 15, phase 1);

c) Bring the arm up to the gate leaf and hold the fastening bracket against the leaf: **Important!** - push the curved arm against the leaf, until it is secured (maximum opening - see fig. 15, phase 1a).

d) Ensure that the gearmotor arm is levelled properly, and use a pencil to mark the centre of the slot profile on the bracket, to enable fine adjustments to be made to the closure alignment of the leaf in future (see paragraph 3.7).

e) Provisionally attach the bracket to the gate leaf and bring the leaf into its maximum opening position against the ground-mounted stop.

f) With the leaf in this position, perform the checks shown in fig. 16 (run a wire over the two pins of the slotted arm, as far as the leaf hinge). **Important!** - If, in relation to the hinge, the wire appears in position "BB" as in fig. 16, it will be necessary to **extend distance C** by a few millimetres. This must be repeated until the wire reaches position "AA" as in fig. 16 and the arm is no longer obstructed by the wall or other fixed obstacles.

06. Cutting the slotted arm (fig. 17):

After checking that the articulation is operating correctly, cut the slotted arm in the following manner.

a) Trace a line on the slotted arm in the position exactly as indicated in fig. 17, phase 1. Then remove the arm from the bracket and cut the part of the arm which is not required.

b) Re-assemble the components of the arm (fig. 3).

07. Affix the gearmotor arm to the gate leaf (fig. 18):

a) Drill holes in the gate leaf at the points marked.

b) Remove the bracket from the arm and affix it to the gate leaf with suitable screws.

c) Attach the arm to the bracket, inserting the pin and the Benzing retaining ring. **Important** - Check that the bracket and the arm are completely level. Loosen the screws of the bracket and adjust as required to ensure level. This check can also be performed by measuring a distance of 75 mm (see fig. 8 phase 2).

d) Fix the end stops to the ground permanently, in the position determined at the start of the procedure.

Important! - Check that the gate leaf closes completely against the end stop. To make fine adjustments to the closure alignment, refer to paragraph 3.7.

e) Finally, bring the leaf manually to around its midpoint of travel and secure the gearmotor using the dedicated key (see chapter 3.8) Then manually open the leaf by a few more centimetres.

08. If the gate being automated has two leaves, then to install the other gearmotor repeat all the actions described here in chapter 3.4.

3.5 - Installation of the multi-purpose lamp mod. WLT on the gearmotor model WL1024C

Warning – WLT can operate as a flashing emergency light or courtesy light, depending on the control unit programming.

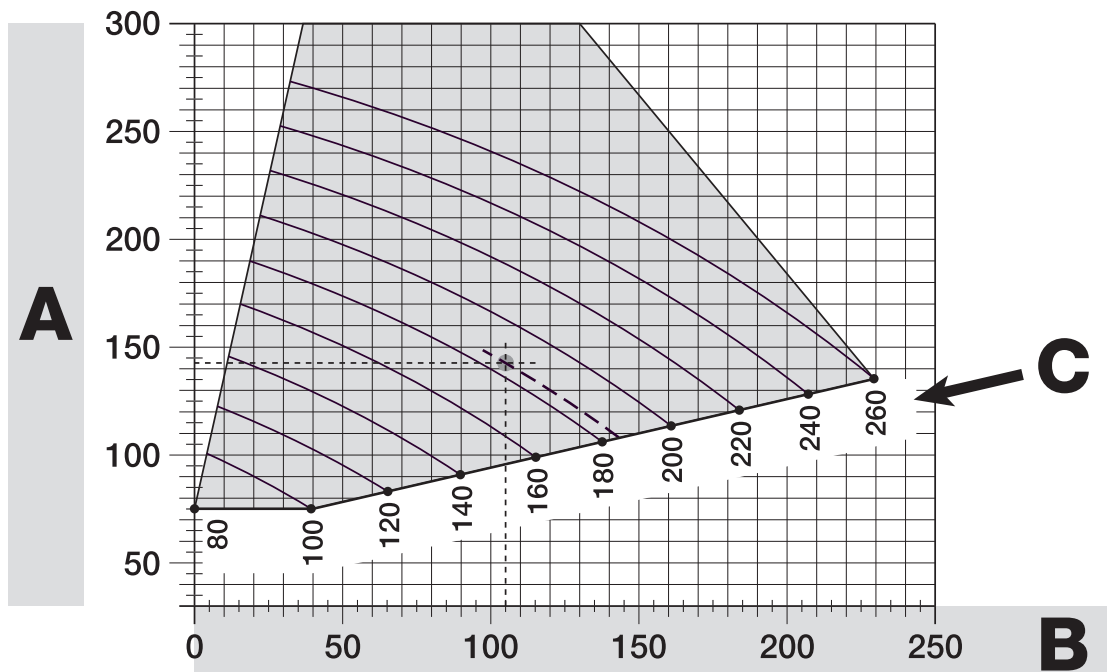
Follow the installation steps shown in fig. 21, making sure the right sequence is followed and the following warnings are adhered to:

• **for phase 4** – Rotate the power unit in the direction of the arrow, keeping a careful eye on the cables underneath that connect it to the gearmotor.

• **for phase 7** – Open out the cables fully and insert the connector into the FLASH output as shown; secure the cables by inserting them in the cable gland.

• **for phase 11** – Position the electrical board on the pin of the base, depending on the desired usage: **A** = diffuse light; **B** = directional light beam (in this case, the light beam can be directed by blocking the board in one of the holes on the base).

GRAPH 2B



- **for phase 12** – Open out the cable fully, cut the excess portion and position the cables in such a way that they do not cast any shadows over the LEDs and the light sensor fitted on the back of the electrical board.
- **for phase 13** – The arrow on the cover and the one on the base should align. Ensure the 4 cogs on the base fit into the grooves inside the cover.

Note – If the WLT multi-purpose lamp is not installed on the upper part of the “Walky” gearmotor, it should be connected to the ELS terminal as described in paragraph 4.1- “Description of the electrical connections”.

3.6 - How to remove the control unit

- 01.** Remove the gearmotor’s lower cover (**fig. 19 phase 1-2**);
- 02.** Undo the 4 screws of the cable sleeve support and remove it (**fig. 24 phase 1-2**);
- 03.** Pull the control unit about 4 centimetres in the direction of the arrow, and detach the motor connector (**fig. 24 phase 3-4**);
- 04.** Finally, remove the control unit completely;

Important! - When reconnecting the motor to the control unit, observe the polarity of the connector (this can only be inserted one way around!).

3.7 - Adjusting the alignment of the gate leaves when closed

- 01.** Remove the slotted arm from the fastening bracket on the gate leaf;
- 02.** Loosen the screws on the bracket and move it by a few millimetres towards the gearmotor;
- 03.** Then replace the slotted arm in the bracket, close the leaf and check that it is both aligned with the other leaf and in contact with the end stop. **Important!** - If necessary, repeat point 02 until an optimum alignment is achieved;
- 04.** Drill a hole in the leaf, to correspond to the hole in the centre of the fastening bracket, and insert a screw. Then fix the bracket permanently in place by tightening the three screws;
- 05.** Finally, attach the slotted arm to the bracket, inserting the pin and the Benzing retaining ring.

3.8 - Securing and releasing the gearmotor manually

The gearmotor is equipped with a mechanical system which allows the gate to be opened and closed manually.

These manual operations are required in the event of power cuts, operational faults, or during installation.

Releasing (fig. 22-A):

- 01.** Raise the flap;
- 02.** Insert the key into the release pin;
- 03.** Turn the key by almost a full turn clockwise.
- 04.** The gate leaf can now be moved manually into the required position.

Securing (fig. 22-B):

- 01.** Turn the key anticlockwise in the release pin and move the gate leaf manually until you can hear the leaf engage mechanically with the drive mechanism.
- 02.** Remove the key from the pin and rotate the release disc anticlockwise by 90° so that the hole is blocked and replace the flap.

STOP

input for devices which, when activated, cause the manoeuvre in progress to halt immediately, followed by a brief inversion; possibility of connecting NO, NC contacts or devices with a 8.2 kΩ constant resistance output (sensitive edges). Each device connected to this input is recognised individually by the control unit during the recognition phase (paragraph 4.7); after this phase, if the control unit detects any variation with respect to the status recognised, it causes a STOP. One or more devices - including different ones - can be connected to this input:

- several NO devices can be connected in parallel, with no limits as to quantity;
- several NC devices can be connected in series, with no limits as to quantity;
- 2 devices with a 8.2 kΩ constant resistance output can be connected in parallel. If there are more than 2 devices, they need to be connected in a cascade configuration with a single termination resistance of 8.2 kΩ;
- 2 NO and NC devices can be connected in parallel, connecting in series with the NC contact a 8.2 kΩ resistance (this makes the combination of 3 NO - NC and 8.2 kΩ devices possible)

P.P.	input for control devices which, when activated, cause the Step-step manoeuvre to take place; possibility of connecting NO contacts
AERIAL	input for the aerial of a radio receiver

4.2 - Connecting the power cable

WARNING: The electricity supply line must be equipped with a device which ensures the complete disconnection of the automation system from the mains. The disconnection device’s contacts must have an opening distance which is sufficient to achieve full disconnection in category III overload conditions, in conformance with the rules of installation. When the need arises, this device ensures that the power is disconnected quickly and safely; it must therefore be positioned where it can be seen from the automation system. If, however, it is not located in a visible position, it must be provided with a system to prevent the power supply being reconnected accidentally or without authorisation, in order to avoid any risk. The product is not supplied with a disconnection device.

IMPORTANT!

- The connection must be carried out exclusively by qualified experts.
- All electrical connections must be carried out without any mains electrical power supply and with the back-up battery disconnected - where present in the automation system.

- 01.** Access the power unit by undoing the 3 screws in the gearmotor’s upper cover and slowly rotate the cover in the direction of the arrow (**fig. 24**), keeping a careful eye on the cables underneath;
- 02.** Connect the phase and neutral wires to the power unit terminal board, observing the instructions on the label; close the earth cable grommet using the screw (**fig. 25**): **care required!** -the terminal should be pointing towards the opening from which the power cable emerges;
- 03.** Then pull the power cable towards the control unit, so that it is just long enough to allow the power unit to rotate and the cover to close;
- 04.** Close the power unit cover; tighten the screws on the cable gland; insert the control unit into its seat, and remount the cable sleeve support;

Important! - Fasten the cover of the power unit with all the screws and ensure that the seal is well positioned in its seat. If the seal or one of the screws is missing, this can compromise the electronics inside.

4.3 - Connecting the gearmotor without a control unit mod. WL1024

- 01.** Remove the lower cover of the gearmotor without control unit, as shown in **fig. 19**, phase 1-2;
- 02.** Using a Phillips screwdriver, undo the 4 screws of the cable sleeve support (**fig. 20**) and remove it (**important!** - do not lose the 2 spacers).
- 03.** Loosen the two screws on the cable gland (**fig. 20**, phase 6) and feed the connection cable through; connect the 3 cables to the terminal board, observing the symbols as labelled; then tighten the screws of the cable gland.
- 04.** Adjust the 2 feet inside the gearmotor with an Allen key, until they are fully resting on the column (**fig. 20**, phase 7).
- 05.** Cut the edge of the cable sleeve support (**fig. 20**, phase 8); put the 2 spacers back into position; remount the cable sleeve support (**fig. 20**, phase 9) and replace the gearmotor’s lower cover (**fig. 20**, phase 10).

4.4 - Connecting other devices

If you need to power further devices in the system, such as a transponder card reader or the light for the key selector, these devices can be connected to the control unit on terminals “P.P. (positive)” and “STOP (negative)” (**fig. 23**). The supply voltage varies from 18 to 31 VDC when mains or solemyo operated and from 11 to approx. 14 VDC when operating on back-up battery PS424. The maximum available current is 200 mA.

Note – The voltage available in terminals “P.P.” and “STOP” remains present even when the “Stand By” function is activated on the board.

4 ELECTRICAL CONNECTIONS

The electrical connection of the various devices (photocells, digital keyboards, transponder card readers, etc.) of the automation system with a control unit is carried out with the Nice “Bluebus” system. This system makes it possible to carry out the electrical connections with the use of just 2 wires along which both the electricity supply and the communication signals travel. The electrical connection to be used is parallel and does not require any polarity to be observed. During the recognition phase, every device connected to the control unit will be recognised individually by the latter, thanks to a univocal code. Every time a device is added or removed, you must carry out the control unit recognition phase (see paragraph 4.7).

4.1 - Description of the electrical connections (fig. 23)

M1	gearmotor output 1
ELS	output for 12 VAC electrical lock (max 15 VA). The ELS output can be programmed with other functions using the Oview programmer (see chapter 8.3) (e.g. flashing, courtesy light, etc.)

BLUEBUS input for compatible devices (MOFB, MOFOB, MOB and MOTB). The device connection is in parallel with the use of 2 wires along which both the electricity supply and the communication signals travel; there is no need to observe any polarity when making the connection. Each device is recognised individually by the control unit because a univocal address is assigned to it during the installation (see paragraph 4.7)

4.5 - Addressing the photocells and other BlueBus devices

To allow the control unit to recognise the photocells connected to the Bluebus system, these need to be addressed: correctly position the electric jumper of each device, as shown in **fig. 31**.

To address other devices, refer to the respective instruction manual.

4.6 - Initialisation and connection check

Once you have powered the control unit, carry out the following checks:

- after a few seconds, check that the “Bluebus” LED (**fig. 26**) flashes regularly at a frequency of 1 flash per second;
- check that the LEDs of the photocells, both TX and RX, emit flashes. The type of flashing emitted, at this stage, is not significant;
- check that the WLT multi-purpose lamp is turned off (set on flashing function) and connected to the FLASH output on the power supply.

If this does not happen, cut off the electricity supply to the control unit and check the various electrical connections previously carried out.

4.7 - Recognition of the connected devices

Once initialisation is complete, the control unit must recognise the devices connected to the “Bluebus” and “Stop” inputs.

IMPORTANT! – The recognition phase must be carried out even if the control unit is not connected to any devices.

The control unit is designed to recognise individually the various devices connected to it thanks to the recognition procedure and it can also detect with a very high degree of precision any possible problems. Consequently, the recognition of devices must be carried out each time a device is connected or removed.

LEDs “L1” and “L2” on the control unit (**fig. 26**) emit slow flashes to indicate that recognition needs to be carried out:

01. Press and keep pressed keys “◀” and “Set” (**fig. 26**) simultaneously.
02. Release the keys when LEDs “L1” and “L2” begin to flash quickly (after approximately 3 seconds).
03. Wait a few seconds for the control unit to complete the device recognition phase.
04. At the end of this phase, the “Stop” LED should be turned on and LEDs “L1” and “L2” should turn off (LEDs “L3” and “L4” may start to flash).

4.8 - Recognition of the positions of the mechanical stops

After the recognition of devices (paragraph 4.7), the control unit must recognise the positions of the mechanical stops (maximum Opening and maximum Closure);

During this phase, the angle of aperture of the leaf is detected from the closing mechanical stop to the opening mechanical stop. **It is vital that the mechanical stops are fixed and sufficiently sturdy.**

01. Identify the figure corresponding to your system in **Table 2**, fix the electric jumpers **JA** and **JB** in place on the control unit, in the position as indicated in this figure.
02. Release the gearmotors with the dedicated keys (see chapter 3.8) and bring the leaves to their midpoint of travel so that they are free to open and close; then secure the gearmotors.
03. On the control unit, press and keep keys “Set” and “▶” pressed simultaneously;
04. When LEDs “L3” and “L4” begin to flash quickly, (after approximately 3 secs.) release the keys;
05. Check that the automated system performs the following sequences of manoeuvres:
 - a - Slow closure of gearmotor M1 to the mechanical stop
 - b - Slow closure of gearmotor M2 to the mechanical stop
 - c - Slow opening of gearmotor M2 and gearmotor M1 to the mechanical stop
 - d - Complete quick closure of gearmotors M1 and M2
 - If the first manoeuvre of one or both leaves is not a closing movement, press any key to halt the recognition phase and check the positioning of electric jumpers **JA** and **JB** referring to Table 2; otherwise, check the polarity of the motor without control unit (mod. WL1024).
 - If the first motor to start the closing movement is not M1, press any key to halt the recognition phase and check the positioning of electric jumpers **JA** and **JB**, referring to Table 2.
 - If a device is activated during the recognition phase (photocells, key selector, pressing of a key, etc.), the recognition phase is immediately halted. It must be repeated in full.
06. At the end of the closing manoeuvre of both motors (d), LEDs “L3” and “L4” switch off to indicate that the procedure was completed successfully.

TABLE 2

	JA JB
	JA JB
	JA JB
	JA JB
	JA JB
	JA JB
	JA JB
	JA JB

4.9 - Gate leaves motion check

At the end of the recognition of the positioning of the mechanical stops, we recommend you make the control unit perform a few opening and closing manoeuvres, in order to ensure the gate moves correctly, to check for any assembly and adjustment defects or other problems:

01. Press the **Open key** (**fig. 26**) and check that the Opening manoeuvre includes an acceleration phase, a phase at constant velocity, a deceleration phase and that the leaves stop against the opening mechanical end stop.
02. Press the **Close key** (**fig. 26**) and check that the closing manoeuvre includes an acceleration phase, a phase at constant velocity, a deceleration phase and that the leaves stop against the closing mechanical end stop.
03. Check, during manoeuvres, that the flashing performs certain flashes at 0.5 second intervals with the flashing on and 0.5 seconds with the flashing off.

5 TESTING AND COMMISSIONING

These are the most important phases in the installation of the automation system, in order to guarantee maximum system safety. Testing can also be used to check the devices in the automation system regularly. The automation system testing and commissioning phases must be carried out by qualified experts who must be responsible for determining the tests necessary to check the solutions adopted vis-à-vis the risks involved, and to check the observance of all legal and regulatory obligations: in particular all the requirements of the EN 12445 standard which sets forth the test methods for checking automated gates.

Additional devices must undergo specific testing, both in terms of functionality as well as their correct interaction with WALKY; please refer to the relevant individual instruction manuals.

5.1 - Testing

The sequence of steps to take to carry out testing refers to a typical system (fig. 2):

- 1 Release the gearmotors manually and check that when you operate the leaf, at the point designed especially for the manual manoeuvre, the leaves can either be opened or closed with a force of less than 390 N.
- 2 Check that the leaf, when left in any position along its travel, does not move.
- 3 Secure the gearmotors (see chapter 3.8).
- 4 **IMPORTANT!** – Check that the screw connections are screwed in tightly.
- 5 Using the control devices (transmitter, command button, key selector, etc.), perform some Gate Opening, Closing and Stop tests, making sure the movement of the leaves corresponds with each test. It is a good idea to carry out several tests in order to evaluate the movement of the leaves and pinpoint any assembly or adjustment defects as well as to check for any particular points of friction.
- 6 Check one by one that all the safety devices in the system work properly (photocells, sensitive edges, etc.). When a device is activated, the “BLUEBUS” LED on the control unit emits two quicker flashes to confirm that recognition has taken place.
- 7 If the hazardous situations caused by the movement of the leaves have been safeguarded by limiting the force of impact, the force must be measured in accordance with the EN 12445 standard and, if necessary, if the control of the “gearmotor force” is used as an aid to the system to reduce the force of impact, try and then find the adjustment that achieves the best results.
- 8 Affix permanently a label describing how to release the gearmotor manually in an area adjacent to the automation system.

5.2 - Commissioning

Commissioning can only take place once all the testing phases have been carried out successfully.

- 1 Put together the automation system's technical file, which should include the following documents: an overall diagram of the automation system, the diagram of the electrical connections made, the current risk analysis and the related solutions adopted, the manufacturer's declaration of conformity for all the devices used and the declaration of conformity filled in by the installer.
- 2 Affix a data plate onto the gate which specifies the following information, at least: the type of automation system, the name and address of the manufacturer (responsible for the commissioning), the serial number, the year of manufacture and the EC mark.
- 3 Fill in the declaration of conformity of the automation system and hand it over to its owner.
- 4 Fill in and hand over to the owner of the automation system the “**User's guide**” of the automation system.
- 5 Fill in and hand over to the owner of the automation system the “**Maintenance schedule**” which contains instructions on the maintenance of all the devices in the automation system.
- 6 Before commissioning the automation system, inform the owner of all the hazards and residual risks entailed.

For all the documentation mentioned, the Nice technical support service provides the following: instruction manuals, guides and precompiled forms. Also visit: www.nice-service.com

6 PROGRAMMING THE CONTROL UNIT

There are three keys on the control unit. These are **OPEN** (◀), **STOP (SET)** and **CLOSE** (▶) and they can be used to operate the control unit during the testing phases as well as for programming the functions available.

The programmable functions available are arranged on 2 levels and their operating status is indicated by the 4 LEDs (L1 ... L4) on the control unit (LED on = function activated; LED off = function deactivated).

Use the programming keys (fig. 26):

OPEN (◀): – key to control the gate opening; – selection key during the programming phase.

STOP/SET: key to stop a manoeuvre; when pressed for more than 5 seconds, it allows you to enter the programming phase.

CLOSE (▶): – key to control the gate closing; – selection key during the programming phase.

6.1 - Level one programming (ON-OFF)

All level one functions are programmed at the factory to “OFF” and can be changed at any time. To check the various functions please see **Table 5**. For the programming procedure, please see **Table 6**.


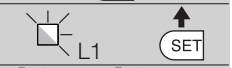
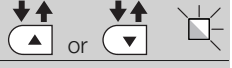


Note – These procedures can be performed again at any time, even after a new device has been connected to the control unit.

IMPORTANT – The programming procedure has a maximum time of 10 seconds between one key and another being pressed. After this time, the procedure ends automatically, storing the changes made up until that moment.

TABLE 5 - Level one functions

LED	Function	Description
L1	Automatic close	Function ACTIVATED : after an opening manoeuvre, there is a pause (equal to the programmed pause Time) after which the control unit automatically performs a closing manoeuvre. The factory set pause time is 30 sec. Function DEACTIVATED : operation is “semi-automatic”.
L2	Close after photo	Function ACTIVATED : if the photocells are activated during an opening or closing manoeuvre, the pause time is reduced to 5 sec. irrespective of the programmed “pause time”. With the “automatic close” function deactivated, if the photocells are activated during the closing manoeuvre, the “automatic close” is activated with the programmed “pause time”.
L3	Always close	Function ACTIVATED : in the event of a power cut, albeit brief, when the electricity supply returns the control unit detects the open gate and automatically starts a closing manoeuvre, after 5 sec. of pre-flashing. Function DEACTIVATED : when the electricity supply returns, the gate will remain as is.
L4	Stand by (Bluebus)	Function ACTIVATED : 1 minute after the manoeuvre is finished, the control unit turns off the “Bluebus” output (connected devices) and all LEDs except for the Bluebus LED which will flash more slowly. When the control unit receives a command, it restores normal operation (with a short delay). This function is designed to reduce consumption levels, which is a key feature when battery or photovoltaic panel powered.

TABLE 6 - Level one programming procedure

01. Press and keep key “Set” pressed for approximately 3 seconds;	
02. Release the key when LED “L1” begins to flash;	
03. Press key “◀” or “▶” to move the flashing LED to the LED representing the function you wish to change;	
04. Press the “Set” key to change the status of that function: (brief flashing = OFF - long flashing = ON);	
05. Wait 10 seconds (maximum) to exit programming mode.	

Note – To program other functions to “ON” or “OFF” when the procedure is in progress, repeat steps 03 and 04 during the phase itself.














6.2 - Level two programming (adjustable parameters)

All level two parameters are programmed at the factory as highlighted in grey in Table 8 and can be modified at any time following the procedure described in Table 7.

The parameters are adjustable on a scale of values from 1 to 4; to check the value corresponding to each LED, please see Table 8. **IMPORTANT** – The pro-

gramming procedure has a maximum time of 10 seconds between one key and another being pressed. After this time, the procedure ends automatically, storing the changes made up until that moment.

TABLE 7 - Level two programming procedure

01. Press and keep key “Set” pressed for approximately 3 seconds;	 3 s
02. Release the key when LED “L1” begins to flash;	 L1 
03. Press key “◀” or “▶” to move the flashing LED to the LED representing the “input LED” of the parameter you wish to change;	 or  
04. Press and keep pressed the “Set” key until step 06 is complete;	
05. Wait approximately 3 seconds until the LED representing the current level of the parameter to be changed is turned on;	
06. Press key “◀” or “▶” to move the LED representing the value of the parameter;	 or  
07. Release the “Set” key;	
08. Wait 10 seconds (maximum) to exit programming mode.	 10 s

Note – To program several parameters when the procedure is in progress, repeat steps 03 to 07 during the phase itself.

TABLE 8 - Level two functions

input LED	Parameter	LED (level)	Value	Description
L1	Pause Time	L1	5 seconds	Adjusts the pause time, i.e. the amount of time before the gate closes automatically. Only effective if Close is activated.
		L2	30 seconds	
		L3	60 seconds	
		L4	120 seconds	
L2	Step-Step Function	L1	Opens – stop – closes – stop	Adjusts the sequence of commands associated with the “Step-Step” input or radio command. Note – When L4 is set, the behaviour of the “Opens” and “Closes” commands is also modified.
		L2	Opens – stop – closes – opens	
		L3	Opens – closes – opens – closes	
		L4	Apartment building: • during the opening manoeuvre, the “Step-Step” and “Opens” commands do not have any effect; on the other hand, the “Closes” command causes the movement to be inverted, i.e. the leaves to close. • during the closing manoeuvre, the “Step-Step” and “Opens” commands cause the movement to be inverted, i.e. the leaves to open; on the other hand, the “Closes” command does not have any effect.	
L3	Motor velocity	L1	Slow	Adjusts the velocity of the motors during normal travel.
		L2	Medium	
		L3	Fast	
		L4	Very fast	
L4	Motor force	L1	Level 1 - Minimum force	Adjusts the force of both motors.
		L2	Level 2 - ...	
		L3	Level 3 - ...	
		L4	Level 4 - Maximum force	

6.3 - Memory deletion

To delete the memory of the control unit and restore all the factory settings, proceed as follows: press and keep pressed keys “◀” and “▶” until LEDs L1 and L2 start to flash.

6.4 - Special functions

Function: “Move anyway”

This function makes it possible to operate the automation system even when a safety device is not working properly or is out of order.

The automation system can be controlled in “push to run” mode as follows:

- 01.** Send a command to operate the gate, using a transmitter or key selector, etc. If everything is working properly, the gate will move normally, otherwise proceed as follows:
- 02.** Within 3 seconds, send the command again and keep it activated;
- 03.** After approximately 2 seconds, the gate will perform the manoeuvre

requested in “push to run” mode; i.e. the gate will continue to move only for as long as the command is activated.

When the safety devices do not work, the flashing light emits a few flashes to indicate the type of problem (see chapter 7 - Table 10).

Some devices are designed to emit signals which help you recognise their operating status or any problems. If the WLT multi-purpose lamp is connected to the FLASH output on the power supply and set with the flashing function, during the performance of a manoeuvre, it emits a flashing light every second. If any problems are encountered, the flashing emits shorter flashes, which are repeated twice, divided by a 1 second

pause. **Table 10** describes the cause and solution for each type of signal. The LEDs on the control unit also emit signals; **Table 11** describes the cause and solution for each type of signal.

TABLE 10 - Flashing light signals (FLASH)

Flashes	Problem	Solution
1 brief flashing 1 second pause 1 brief flashing	Error on the Bluebus system	The check of the devices connected to the Bluebus system, which is carried out at the beginning of the manoeuvre, does not correspond to the devices stored during the recognition phase. There might be devices which are disconnected or out of order, so you need to check and replace them if necessary. If modifications have been made, you will need to repeat the recognition of devices (see paragraph 4.7).
2 brief flashes 1 second pause 2 brief flashes	Photocell activation	One or more photocells are not are not permitting movement or during travel they caused the movement to be inverted; check for any obstacles.
3 brief flashes 1 second pause 3 brief flashes	Activation of the "Obstacle Detection" by the force limiting device	During the movement, the motors encountered greater effort; verify the cause and increase the force of the motors if necessary
4 brief flashes 1 second pause 4 brief flashes	STOP input activation	At the beginning of the manoeuvre or during the movement, one of the devices connected to the STOP input was activated; verify the cause.
5 brief flashes 1 second pause 5 brief flashes	Error in the internal parameters of the control unit	Wait at least 30 seconds and then try to repeat the command and if necessary cut off the power supply; if the status remains the same, there might be a serious failure and the electrical board may need replacing.
6 brief flashes 1 second pause 6 brief flashes	Maximum limit of consecutive manoeuvres or manoeuvres per hour exceeded.	Wait a few minutes in order to allow the manoeuvres limiting device to return to below the maximum limit.
7 brief flashes 1 second pause 7 brief flashes	Electrical circuits fault	Wait at least 30 seconds and then try to repeat the command and if necessary cut off the power supply; if the status remains the same, there might be a serious failure and the electrical board may need replacing.
8 brief flashes 1 second pause 8 brief flashes	A command has already been given, which does not allow any other commands to be performed	Check the nature of the command in progress; it could for example be the command from a clock on the "STEP-STEP" input.
9 brief flashes 1 second pause 9 brief flashes	The automation system was secured by a "Secure the automation system" command	Release the automation system by sending the "Release the automation system" command.

TABLE 11 - Signals from the LEDs on the control unit (fig. 23)

LED	Problem	Solution
BLUEBUS Always off	Fault	Ensure the control unit is powered; check whether the fuses have blown. In this case, check the cause of the fault and replace them with others of the same value
Always on	Serious fault	There is a serious fault: try to cut off the electricity supply to the control unit and if the status remains, then you will need to replace the electrical board
1 flash per second	All ok	Normal operation of the control unit
2 fast flashes	Change in the status of the inputs	If it normal if a variation in one of the input takes place (PP, STOP): photocells activation or a command is transmitted with a transmitter
Series of flashes divided by a one-second pause	Other	Please refer to Table 10
STOP Always off	Activation of the devices connected to the STOP input	Check the devices of the STOP input
Always on	All ok	STOP input activated
P.P. Always off	All ok	P.P. input deactivated
Always on	Activation of the P.P. input	It is normal if the device connected to the P.P. input is activated
L1 - L2 Slow flashing	Change in the number of devices connected to the Bluebus or device recognition not performed	The recognition of devices must be carried out (see paragraph 4.7)
L3 - L4 Slow flashing	The recognition of the positions of the mechanical stops was not carried out	The recognition must be carried out (see paragraph 4.8).

8 FURTHER INFORMATION

The following accessories are envisaged for WALKY (radio receiver): the Oview programmer, the Solemyo solar power system and the back-up battery mod. PS424.

8.1 - Connection of the OXI radio receiver

To connect the OXI receiver, first cut off the electricity supply to the control unit and proceed as illustrated in **fig. 27**. **Table 12** and **Table 13** indicate the commands which correspond to the outputs on the control unit.

TABLE 12

SMXI / SMXIS or OXI / OXIFM / OXIT / OXITFM in mode I or Mode II

Output 1	Command "P.P." (Step-Step)
Output 2	Command "Partial opening 1"
Output 3	Command "Opens"
Output 4	Command "Closes"

TABLE 13

OXI / OXIFM / OXIT / OXITFM in mode II extended

No.	Command	Description
1	Step-Step	Command "P.P." (Step-Step)
2	Partial opening 1	Command "partial opening 1"
3	Opens	Command "Opens"
4	Closes	Command "Closes"
5	Stop	Stop the manoeuvre
6	Step-Step Apartment Building	Command in Apartment Building mode
7	Step-Step high priority	Command even with automation system secured or commands activated
8	Partial opening 2	Partial opening (opening of leaf M2 to half of its total travel)
9	Partial opening 3	Partial opening (opening of both leaves to half of their total travel)
10	Opens and Secure automation system	Causes an opening manoeuvre at the end of which the automation system is secured; the control unit does not accept any other command except for the "Step-Step high priority", "Release" automation system or (only from Oview) the commands: "Release and close" and "Release and open"
11	Closes and Secure automation system	Causes a closing manoeuvre at the end of which the automation system is secured; the control unit does not accept any other command except for the "Step-Step high priority", "Release" automation system or (only from Oview) the commands: "Release and close" and "Release and open"
12	Secure automation system	Causes the manoeuvre to be stopped and the automation system to be secured; the control unit does not accept any other command except for the "Step-Step high priority", "Release2 automation system or (only from Oview) the commands: "Release and close" and "Release and open".
13	Release automation system	Causes the automation system to be released and normal operation to be restored
14	On Timer Courtesy Light	The Courtesy light output is turned on with timed switch-off
15	On-Off Courtesy Light	The Courtesy light output is turned on and off in On-Off mode

8.2 - Connection and installation of the back-up battery mod. PS424

IMPORTANT! - The battery must only be connected to the control unit after all the phases of installation and programming have been completed, as the battery constitutes a source of emergency power.

To arrange connection to the Solemyo system, follow the stages of assembly **fig. 28**.

8.3 - Connection of the Oview programmer

The control unit has a BusT4 connector to which the Oview programming unit can be connect, and which allows the complete rapid management of the installation and maintenance phase as well as the diagnosis of the entire automation system. To access this connector, proceed as shown in **fig. 29** and connect the connector to the dedicated seat. The Oview can be connected to several Control units simultaneously (up to 5 without any particular precautions, and up to 60 observing the dedicated warnings) and can stay connected to the control unit even during the normal operation of the automation system. In this case, it can be used to send the commands directly to the control unit using the specific "user" menu. The Firmware upgrade can also be carried out. If there is a radio receiver from the OXI family in the control unit, Oview can be used to gain access to the parameters of the transmitters stored in the receiver itself.

For further information, please consult the relevant instruction manual and the manual for the "Opera system book" system.

8.4 - Connection of the Solemyo solar power system

IMPORTANT! – When the automation system is powered by the "Solemyo" system, IT MUST NOT BE POWERED concurrently by the electricity mains.

For further information about the Solemyo system, please refer to its instruction manual.

To arrange connection to the Solemyo system, follow the stages of assembly illustrated in **fig. 30**.

To complete the connection between Solemyo and the gearmotor control unit, use the dedicated adapter cable.

9 PRODUCT MAINTENANCE

In order to keep the safety level constant and to guarantee the maximum life span of the entire automation system, regular maintenance is vital.

All maintenance work must be carried out in compliance with the safety provisions of this manual and in accordance with existing laws and regulations.

The product requires frequent inspection to check for imbalances of the doors or signs of wear or damage to the cables. Do not use the product if adjustments or repairs are required.

Important – During the product maintenance or cleaning operations, cut off the electricity supply to the control unit and any batteries envisaged.

For the other devices in the system, follow the instructions provided in their respective maintenance schedules.

For gearmotors WL1024C, WL1024, scheduled maintenance is required at the latest 6 months or 20,000 manoeuvres after the previous maintenance work.

Maintenance can be performed as follows:

- 01.** Cut off any electrical power source, including any back-up batteries;
- 02.** Check the condition and wear of brackets and fixing plugs, paying special attention to erosion or rusting; replace all parts which do not provide sufficient guarantees;
- 03.** Perform a trial release to ensure it is "working properly" – see paragraph 3.8.
- 04.** Reconnect the electrical power sources and perform all the checks envisaged in chapter 5.1 - Testing.

DISPOSING OF THE PRODUCT

This product is an integral part of the automation system, and should therefore be disposed of together with it.

As for the installation operations, even at the end of this product's life span, the dismantling operations must be carried out by qualified experts.

This product is made up of various types of materials: some can be recycled while others need to be disposed of. Find out about the recycling or disposal systems envisaged by your local regulations for this product category.

Important! – Parts of the product could contain pollutants or hazardous substances which, if released into the environment, could cause harmful effects to the environment itself as well as to human health.

As indicated by the symbol opposite, throwing away this product as domestic waste is strictly forbidden. So dispose of it as differentiated waste, in accordance with your local regulations, or return the product to the retailer when you purchase a new equivalent product.



Important! – the local applicable regulations may envisage heavy sanctions in the event of illegal disposal of this product.

Disposal of the back-up battery (where present)

Important! – The flat battery contains pollutants and should therefore not be thrown away as common waste.

It should be disposed of as differentiated waste, as envisaged by your local applicable regulations.

PRODUCT TECHNICAL SPECIFICATIONS

WARNINGS: • All technical specifications are referred to a room temperature of 20°C (± 5°C). • Nice S.p.a. reserves the right to make any changes deemed necessary to the product at any time while maintaining the same functions and intended use.

Type: Electric gearmotor for automated gates and doors with direct reduction gear and mechanical release mechanism. Only for model WL1024C: built-in control unit and OXI radio receiver

Maximum torque: 100 Nm

Nominal torque: 50 Nm

Idle velocity: 0.20 rad/s - 0.3 rad/s

Velocity at nominal torque: 0.16 rad/s - 0.24 rad/s

Maximum cycle frequency: 100 complete cycles per day (the control unit of WL1024C limits to a maximum of approximately 50 cycles/hour)

Maximum continuous cycle time: approx. 10 minutes

Usage limitation: the product can be used on gates weighing up to 180 kg (0.8 m leaf) or with a leaf length of up to 1.8 m and an angle of aperture of up to 110°

Power supply: WL1024C: 230 VAC (+10% -15%) 50/60 Hz; WL1024: 24 VDC (50%); WL1024C/V1: 120 VAC (+10% -15%) 50/60 Hz

Emergency power supply: Designed to accommodate back-up battery PS424

Solar panel power supply: designed to accommodate SOLEMYO kit

Nominal absorbed power from electricity mains (WL1024C): 120 W

Nominal absorbed current (WL1024): 2 A; at pick-up the current is 3 A for a maximum time of 2 s

Power absorbed from the electricity mains with “Standby – All (1)” function activated (including the OXI receiver): 3 W

Power absorbed when operating on back-up battery or SOLEMYO KIT with “Standby-All (1)” function activated (including the OXI receiver): less than 100 mW (including the OXI receiver)

Electrical lock output [*]: a 12 VAC max 15 VA electrical lock

Flashing output [*]: a flashing WLT or a 12VDC lamp, 21 W max

BLUEBUS output: an output with maximum load of 15 Bluebus units (maximum 6 pairs of MOFB or MOFOB photocells plus 2 pairs of MOFB or MOFOB photocells addressed as opening devices plus maximum 4 MOMB or MOTB control devices)

STOP input: for normally closed, normally open contacts or with a constant resistance of 8.2 kΩ; the selection of the type of contact takes place in auto-recognition and a variation compared to the status stored causes the “STOP” command

PP input: for normally open contacts (the closing of the contact causes the Step-Step command)

Radio connector: SM connector for receivers from the SMXI, OXI and OXIFM families

Radio AERIAL input: 50 Ω for type RG58 or similar cable

Programmable functions: 4 ON-OFF type functions (Table 5) and 4 adjustable functions (Table 8)

Functions in auto-recognition: • Auto-recognition of the devices connected to the BlueBus output. • Auto-recognition of the type of device connected to the “STOP” terminal (NO, NC or 8.2 kΩ resistance contact). • Auto-recognition of the travel of the leaves and automatic calculation of the points of deceleration and partial opening. • Auto-recognition of operation with one or two motors

Assembly: Vertically, with a dedicated fastening plate

Operating temperature: from -20°C to +50°C (at low temperatures the efficiency of the gearmotor decreases)

Usage in particularly acidic or saline or potentially explosive atmosphere: NO

Protection rating: IP 44 (with casing intact)

Dimensions (mm): 90 x 125 x 385 h

Weight (kg): (WL1024C) 4.8; (WL1024) 4.3

Note:

(1) - Function which can be activated with the Oview programmer.

[*] - The outputs of the terminals on the control unit (“Electrical lock”) and on the power unit (“Flash”) can be reprogrammed with other functions, using the Oview programmer. The electrical characteristics of these two outputs are adapted depending on the type of function chosen:

- “electrical lock” function: 12VAC, 15VA max;
- “flashing” function: a WLT multi-purpose lamp, or a 12VDC lamp, 21W max;
- other types of functions: a lamp or a relay at 24VDC (-30% and +30%), 4 W max, if the control unit is mains powered, or a lamp or relay at 12VDC (-10% and +25%), 4 W max, if the control unit is powered by the back-up battery PS424.

Product life span

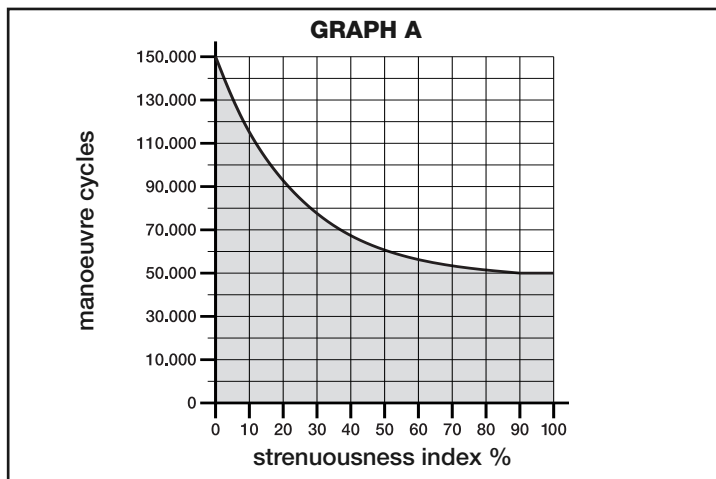
The product life span is its average commercial life. The value of the product life span is strongly affected by the strenuousness index of the manoeuvres performed by the automation system: i.e. the sum of all the factors which contribute to the product wear (see Table 14).

To determine the probable life span of your automation system, proceed as follows:

01. Calculate the strenuousness index by adding together the percentage values of the items in **Table 14**;

02. In **Graph A** trace a vertical line from the value as just calculated until it intersects the curve; from this point, trace a horizontal line until it intersects the line of the "manoeuvre cycles". The value determined is the estimated life span of your product.

The life span estimate is based on design calculations and on the results of tests performed on prototypes. Indeed, since it is an estimate, it is in no way a guarantee as to the actual duration of the product.



Example of life span calculation for a Walky with full length arm gearmotor (please refer to Table 14 and Graph A): - weight of leaf: 100 kg; - length of leaf = 1.7 m (strenuousness index: 55%); - no other straining elements present; Total strenuousness index = 55%; Estimated life span = 55.000 manoeuvre cycles

TABLE 14

Length of leaf	Weight of leaf	Strenuousness index	
		STANDARD LENGTH ARM	SHORTENED ARM
< 1,2 m	> 100 kg	55%	65%
	< 100 kg	30%	50%
1,2 - 1,6 m	> 80 kg	55%	65%
	< 80 kg	40%	50%
> 1,6 m	> 60 kg	55%	-
	< 60 kg	40%	-
Room temperature above 40°C or below 0°C or humidity above 80%		15%	15%
Blind leaf		15%	10%
Installation in windy area		15%	10%

EC DECLARATION OF CONFORMITY

Note - The contents of this declaration correspond to the declarations contained in the latest available revision, prior to printing of this manual, of the official document on file at the headquarters of Nice S.p.a. This text was readapted for editorial purposes.

Number: 322/WL.. **Revision:** 0

The undersigned Luigi Paro, as Managing Director, declares on his own responsibility that the product:

Name of manufacturer: NICE s.p.a.
Address: Via Pezza Alta 13, Z.I. Rustignè, 31046 - Oderzo (TV) Italy
Type: Electric gearmotor
Models: WL1024C, WL1024
Accessories: OXI, OVBT, OVBTGSM, SYKCE, PS424

are compliant with the provisions of the following EC directives:

- 98/37/CE (89/392/EEC amended) DIRECTIVE 98/37/EC OF THE EUROPEAN PARLIAMENT AND OF THE COUNCIL of 22 June 1998 concerning standardization of the legislation of member states on machinery
 As envisaged in directive 98/37/EC, please note that the commissioning of the above product is not permitted until the machine in which the product is installed has been identified and declared as conforming to directive 98/37/EC.

The product is also compliant with the provisions of the following EC directives, as amended by Directive 93/68/EEC of the council of 22 July 1993:

- 2006/95/EEC (ex-directive 73/23/EC) DIRECTIVE 2006/95/EC OF THE EUROPEAN PARLIAMENT AND OF THE COUNCIL of 12 December 2006 concerning standardization of member states on electrical material to be used within certain voltage limits
 In accordance with the following harmonized standards:
 EN 60335-1:1994+A11:1995+A12:1996+A13:1998+A14:1998+A15:2000+A2:2000+A16:2001
- 2004/108/EEC (ex-directive 89/336/EEC) DIRECTIVE 2004/108/EC OF THE EUROPEAN PARLIAMENT AND OF THE COUNCIL of 15 December 2004 concerning standardization of the legislation of member states on electromagnetic compatibility and which repeals 89/336/EEC
 In accordance with the following harmonized standards: EN 61000-6-2:2005; EN 61000-6-3:2007

It is also compliant - limited to the applicable parts - with the following standards:
 EN 60335-1:2002+A1:2004+A11:2004+A12:2006+ A2:2006, EN 60335-2-103:2003,
 EN 13241-1:2003; EN 12453:2002; EN 12445:2002; EN 12978:2003

Oderzo, 29 May 2009

Luigi Paro (Managing Director)

Sommario

1 - AVVERTENZE E PRECAUZIONI GENERALI	1
1.1 - Avvertenze per la sicurezza	1
1.2 - Avvertenze per l'installazione	1
1.3 - Avvertenze per l'uso	1
2 - DESCRIZIONE DEL PRODOTTO E DESTINAZIONE DUSO	1
3 - INSTALLAZIONE	2
3.1 - Verifiche preliminari all'installazione	2
3.2 - Limiti d'impiego	2
3.3 - Lavori di predisposizione all'installazione	2
3.4 - Installazione del motoriduttore mod. WL1024C - WL1024	3
3.4.1 - Determinare la lunghezza del braccio del motoriduttore	3
3.4.2 - Installazione del motoriduttore con BRACCIO DI LUNGHEZZA STANDARD	3
3.4.3 - Installazione del motoriduttore con BRACCIO DI LUNGHEZZA RIDOTTA	4
3.5 - Installazione della lampada multifunzione mod. WLT sul motoriduttore modello WL1024C	4
3.6 - Come estrarre la centrale di comando	5
3.7 - Regolazione dell'allineamento delle ante in chiusura	5
3.8 - Sbloccare e bloccare manualmente il motoriduttore	5
4 - COLLEGAMENTI ELETTRICI	5
4.1 - Descrizione dei collegamenti elettrici	5
4.2 - Collegamento del cavo di alimentazione	5
4.3 - Collegamento del motoriduttore senza centrale mod. WL1024	5
4.4 - Collegamento di altri dispositivi	5
4.5 - Indirizzamento dei dispositivi collegati	6
4.6 - Prima accensione e verifica dei collegamenti	6
4.7 - Apprendimento dei dispositivi collegati	6
4.8 - Apprendimento delle posizioni degli arresti meccanici	6
4.9 - Verifica del movimento delle ante del cancello	6
5 - COLLAUDO E MESSA IN SERVIZIO	6
5.1 - Collaudo	7
5.2 - Messa in servizio	7
6 - PROGRAMMAZIONE DELLA CENTRALE DI COMANDO	7
6.1 - Programmazione primo livello (ON-OFF)	7
6.2 - Programmazione secondo livello (parametri regolabili)	8
6.3 - Cancellazione della memoria	8
6.4 - Funzioni speciali	8
7 - COSA FARE SE... (guida alla risoluzione dei problemi)	9
8 - APPROFONDIMENTI	10
8.1 - Collegamento del ricevitore radio OXI	10
8.2 - Collegamento e installazione della batteria tampone mod. PS424	10
8.3 - Collegamento del programmatore Oview	10
8.4 - Collegamento del sistema ad energia solare Solemyo	10
9 - MANUTENZIONE DEL PRODOTTO	10
SMALTIMENTO DEL PRODOTTO	11
CARATTERISTICHE TECNICHE DEL PRODOTTO	11
Durabilità del prodotto	12
DICHIARAZIONE CE DI CONFORMITÀ	12
APPENDICE	I
Istruzioni ed avvertenze destinate all'utilizzatore	IV
Immagine	X

1 AVVERTENZE E PRECAUZIONI GENERALI

1.1 - Avvertenze per la sicurezza

- **ATTENZIONE!** – Il presente manuale contiene importanti istruzioni e avvertenze per la sicurezza. Un'installazione errata può causare gravi ferite. Prima di iniziare il lavoro è necessario leggere attentamente tutte le parti del manuale. In caso di dubbi, sospendere l'installazione e richiedere chiarimenti al Servizio Assistenza Nice.
- **ATTENZIONE!** – Istruzioni importanti: conservare questo manuale per eventuali interventi di manutenzione e di smaltimento del prodotto.
- **ATTENZIONE!** – Secondo la più recente legislazione europea, la realizzazione di una porta o di un cancello automatico deve rispettare le norme previste dalla Direttiva 2006/42/CE (ex 98/37/CE) (Direttiva Macchine) e in particolare, le norme EN 12445; EN 12453; EN 12635 e EN 13241-1, che consentono di dichiarare la conformità dell'automazione. **In considerazione di ciò, tutte le operazioni di installazione, di collegamento, di collaudo e di manutenzione del prodotto devono essere effettuate esclusivamente da un tecnico qualificato e competente!**

1.2 - Avvertenze per l'installazione

- Prima di iniziare l'installazione verificare se il presente prodotto è adatto al tipo di utilizzo desiderato (vedere i "Limiti d'impiego" paragrafo 3.2 e le "Caratteristiche tecniche del prodotto"). Se non è adatto, NON procedere all'installazione.
- **Tutte le operazioni di installazione e di manutenzione devono avvenire con l'automazione scollegata dall'alimentazione elettrica.** Se il dispositivo di sconnessione dell'alimentazione non è visibile dal luogo dove è posizionato l'automatismo, prima di iniziare il lavoro è necessario attaccare sul dispositivo di sconnessione un cartello con la scritta "ATTENZIONE! MANUTENZIONE IN CORSO".
- La centrale deve essere collegata ad una linea di alimentazione elettrica dotata di messa a terra di sicurezza.
- Durante l'installazione maneggiare con cura il prodotto evitando schiacciamenti, urti, cadute o contatto con liquidi di qualsiasi natura. Non mettere il prodotto vicino a fonti di calore, né esporlo a fiamme libere. Tutte queste azioni possono danneggiarlo ed essere causa di malfunzionamenti o situazioni di pericolo. Se questo accade, sospendere immediatamente l'installazione e rivolgersi al Servizio Assistenza Nice.
- Non eseguire modifiche su nessuna parte del prodotto. Operazioni non permesse possono causare solo malfunzionamenti. Il costruttore declina ogni responsabilità per danni derivanti da modifiche arbitrarie al prodotto.
- Se il cancello o il portone da automatizzare è dotato di una porta pedonale occorre predisporre l'impianto con un sistema di controllo che inibisca il funzionamento del motore quando la porta pedonale è aperta.
- Il materiale dell'imballo del prodotto deve essere smaltito nel pieno rispetto della normativa locale.

1.3 - Avvertenze per l'uso

- Il prodotto non è destinato ad essere usato da persone (bambini compresi) le cui capacità fisiche, sensoriali o mentali siano ridotte, oppure con mancanza di esperienza o di conoscenza, a meno che esse abbiano potuto beneficiare, attraverso l'intermediazione di una persona responsabile della loro sicurezza, di una sorveglianza o di istruzioni riguardanti l'uso del prodotto.
- I bambini che si trovano in prossimità dell'automazione, devono essere sorvegliati; verificare che non giochino con quest'ultima.
- Non permettere ai bambini di giocare con i dispositivi di comando fissi. Tenere i dispositivi di comando portatili (remoti) fuori dalla portata dei bambini.

2 DESCRIZIONE DEL PRODOTTO E DESTINAZIONE DUSO

I dispositivi che compongono il presente prodotto, sono destinati all'automatizzazione di un cancello o di un portone a una o a due ante. **ATTENZIONE!** – **Qualsiasi altro uso diverso da quello descritto e in condizioni ambientali diverse da quelle riportate in questo manuale è da considerarsi improprio e vietato!**

La parte principale dell'automazione è formata da uno o due motoriduttori elettromeccanici (in base al numero di ante da automatizzare), provvisti ognuno di un motore in corrente continua e di un riduttore epicicloidale. Uno dei motoriduttori (mod. WL1024C) è dotato di una centrale di comando che ne gestisce il funzionamento. La centrale è formata da una scheda con un ricevitore radio, per la ricezione dei comandi inviati dal trasmettitore.

La centrale è predisposta per essere collegata a vari dispositivi appartenenti al Sistema Opera, al sistema Bluebus e al sistema di alimentazione ad energia solare Solemyo.

Se alimentata da rete, può ospitare una batteria tampone (mod. PS424, accessorio opzionale) che garantisce all'automatismo l'esecuzione di alcune manovre, nelle ore successive alla mancanza di energia (black-out elettrico).

In caso d'interruzione dell'energia elettrica, è possibile muovere le ante del cancello sbloccando il motoriduttore con l'apposita chiave; per eseguire la manovra manuale, vedere il capitolo 3.8.

Altri accessori disponibili sono i ricevitori predisposti con innesto "SM" (SMXI, OXI, ecc.).

Sul motoriduttore con centrale (mod. WL1024C) è possibile installare la lampada multifunzione mod. WLT (vedere capitolo 3.5), che può funzionare come luce di segnalazione lampeggiante o luce di cortesia, secondo la programmazione della centrale. In più, può essere utilizzata come luce crepuscolare attivando un sensore luce integrato; per le specifiche fare riferimento al suo manuale istruzioni.

• Per consentire l'installazione del motoriduttore, la larghezza minima del pilastro deve essere di 80 mm.

• Il braccio del motoriduttore deve essere collocato nella **parte alta** dell'anta del cancello.

ATTENZIONE! - È vietato montare il motoriduttore in posizione capovolta, cioè con il braccio rivolto verso il basso.

• La staffa di fissaggio del braccio deve risultare in una zona robusta dell'anta (ad esempio, il telaio), per garantire un fissaggio solido e sicuro;

• Verificare la **quota "E"** (fig. 7):

- Se la **quota "E"** è un valore compreso tra 80 mm (minimo) e 299 mm (massimo), occorre accorciare il braccio del motoriduttore. In queste condizioni, l'apertura massima dell'anta può arrivare fino a 90°.

- Se la **quota "E"** è un valore uguale o superiore a 300 mm, non occorre accorciare il braccio del motoriduttore. In queste condizioni, l'apertura massima dell'anta può arrivare fino a 110°.

3.3 - Lavori di predisposizione all'installazione

La **fig. 2** mostra un esempio di impianto di automatizzazione, realizzato con componenti **Nice** (alcuni componenti possono non essere presenti nel kit):

a - Motoriduttore con centrale mod. WL1024C

b - Motoriduttore senza centrale mod. WL1024

c - Lampada multifunzione mod. WLT (da installare sul motoriduttore con centrale mod. WL1024C); vedere capitolo 3.5 e proprio manuale istruzioni

d - Coppia di fotocellule mod. MOFB

e - Tastiera digitale (mod. MOTB) - Lettore a transponder (mod. MOMB) - Selettore a chiave (mod. MOSE)

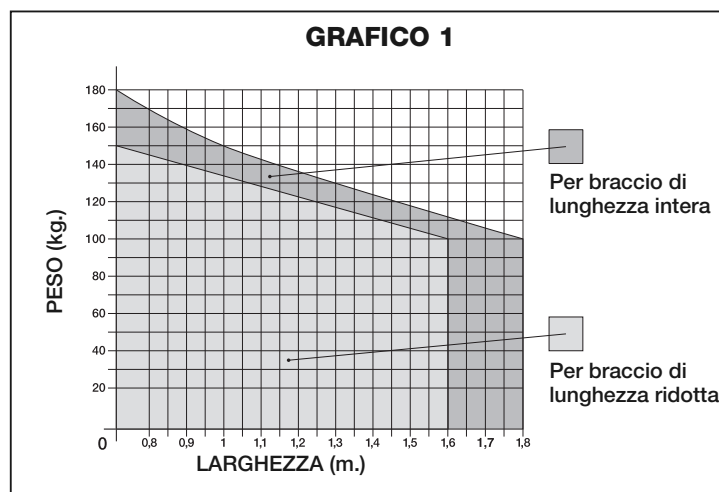
f - Coppia di colonnine per fotocellule

g - Arresti meccanici in Apertura e in Chiusura

h - Elettroserratura

Questi componenti sono posizionati secondo uno schema tipico e usuale. Facendo riferimento alla **fig. 2**, stabilire la posizione approssimativa in cui verrà installato ciascun componente previsto nell'impianto. **Importante** - Prima di eseguire l'installazione, preparare i cavi elettrici necessari al vostro impianto, facendo riferimento alla **fig. 2a** e alla "**Tabella 1 - Caratteristiche tecniche dei cavi elettrici**".

Attenzione - Durante la posa in opera dei tubi per il passaggio dei cavi elettrici, considerare che a causa di possibili depositi d'acqua presenti nei pozzetti di derivazione, i tubi di collegamento possono creare fenomeni di condensa all'interno della centrale e danneggiare i circuiti elettronici.



3 INSTALLAZIONE

3.1 - Verifiche preliminari all'installazione

Prima di procedere all'installazione, è necessario verificare l'integrità dei componenti del prodotto, l'adeguatezza del modello scelto e l'idoneità dell'ambiente destinato all'installazione:

- Verificare che tutto il materiale da utilizzare sia in ottimo stato e adatto all'uso previsto.
- Verificare che nell'impianto siano presenti gli arresti meccanici a terra (non in dotazione), sia in chiusura sia in apertura.
- Verificare che la struttura meccanica del cancello sia adatta ad essere automatizzata e conforme alle norme vigenti sul territorio (eventualmente fare riferimento ai dati riportati sull'etichetta del cancello). Il presente prodotto non può automatizzare un cancello che non sia già efficiente e sicuro; inoltre, non può risolvere difetti causati da un'installazione errata del cancello o da una sua cattiva manutenzione.
- Verificare che le condizioni di funzionamento dei dispositivi siano compatibili con i limiti d'impiego dichiarati (vedere paragrafo 3.2).
- Muovere manualmente le ante del cancello nelle due direzioni e accertarsi che il movimento avvenga con un attrito costante in ogni punto della corsa (non devono esserci punti che richiedono uno sforzo maggiore o minore).
- Portare manualmente le ante del cancello in una posizione qualsiasi; quindi lasciarle ferme e accertarsi che non si muovano.
- Verificare che la zona di fissaggio del motoriduttore sia compatibile con l'ingombro di quest'ultimo (**fig. 1**).
- Nell'ambiente in cui deve essere installato il motoriduttore, accertarsi che ci sia lo spazio sufficiente per la rotazione completa del suo braccio.
- Nelle vicinanze del motoriduttore, accertarsi che ci sia spazio sufficiente per effettuare la manovra manuale di sblocco del motoriduttore.
- Accertarsi che le superfici scelte per installare i vari dispositivi, siano solide e possano garantire un fissaggio stabile.
- Accertarsi che ciascun dispositivo da installare sia collocato in una posizione protetta e al riparo da urti accidentali.
- Verificare che tutti i cavi elettrici da utilizzare siano del tipo elencato nella **Tabella 1**.

3.2 - Limiti d'impiego

Prima di eseguire l'installazione del motoriduttore, verificare che i suoi dati rientrino nei limiti d'impiego riportati di seguito e nei limiti dei valori riportati nel capitolo "Caratteristiche tecniche del prodotto":

Con il braccio del motore di lunghezza **INTERA** (di fabbrica):

- **larghezza massima dell'anta:** 1,80 m (= **peso massimo dell'anta:** 100 kg)
- **altezza massima dell'anta:** 2 m

Con il braccio del motore di lunghezza **RIDOTTA** (tagliato dall'installatore):

- **larghezza massima dell'anta:** 1,60 m (= **peso massimo dell'anta:** 100 kg)
- **altezza massima dell'anta:** 2 m

• Verifica da eseguire: riportare sul **Grafico 1**, il peso e la larghezza dell'anta; tracciare da questi punti due linee e accertarsi che queste vadano ad incrociarsi in una delle due **aree grigie** del grafico. **Attenzione!** - Se le linee si incrociano nell'area bianca, non è possibile utilizzare questo prodotto per automatizzare il cancello.

TABELLA 1 - Caratteristiche tecniche dei cavi elettrici

Collegamento	Tipo di cavo	Lunghezza massima consentita
A: Cavo ALIMENTAZIONE	1 cavo 3 x 1,5 mm ²	30 m (nota 1)
B: Cavo ELETTROSERRATURA	1 cavo 2 x 1 mm ²	6 m
C: Cavo DISPOSITIVI BLUEBUS	1 cavo 2 x 0,5 mm ²	20 m (nota 2)
D: Cavo SELETTORE A CHIAVE	2 cavi 2 x 0,5 mm ² (nota 3)	50 m
E: Cavo ALIMENTAZIONE MOTORIDUTTORE	1 cavo 3 x 1,5 mm ²	6 m
Cavo ANTENNA ESTERNA (opzionale)	1 cavo schermato tipo RG58	20 m (consigliato minore di 5 m)

Nota 1 - Se il cavo di alimentazione supera i 30 m di lunghezza, occorre utilizzare un cavo con sezione maggiore (3 x 2,5 mm²) ed è necessario installare una messa a terra di sicurezza in prossimità dell'automazione.

Nota 2 - Se il cavo Bluebus supera i 20 m di lunghezza, fino ad un massimo di 40 m, occorre utilizzare un cavo con sezione maggiore (2 x 1 mm²).

Nota 3 - Questi 2 cavi possono essere sostituiti da 1 unico cavo da 4 x 0,5 mm².

ATTENZIONE! - I cavi utilizzati devono essere adatti al tipo di ambiente in cui avviene l'installazione.

3.4 - Installazione del motoriduttore mod. WL1024C - WL1024

AVVERTENZE

- Un'installazione errata può causare gravi ferite alla persona che esegue il lavoro e alle persone che utilizzeranno l'impianto.
- Prima di iniziare l'assemblaggio dell'automazione, effettuare le verifiche preliminari descritte nel paragrafo 3.1 e 3.2.
- Il braccio del motoriduttore ha la possibilità di essere accorciato rispetto alla lunghezza standard fornita. Una lunghezza minore è necessaria quando, a ridosso del motoriduttore, è presente un ostacolo fisso (muro, palo, ecc.) che impedisce il movimento completo del braccio. Quindi, per capire se occorre accorciare o meno la lunghezza del braccio, prima di iniziare l'installazione è necessario effettuare la procedura 3.4.1.

Assemblare i componenti che costituiscono il braccio del motore, facendo riferimento alla **fig. 3**. In questa fase non inserire il benzing di arresto (**fig. 4**). **IMPORTANTE!** - Il braccio curvo deve essere posizionato con la curvatura rivolta verso l'anta del cancello, come mostrato in **fig. 5**.

3.4.1 - Determinare la lunghezza del braccio del motoriduttore

01. Stabilire la posizione del motoriduttore in senso VERTICALE:

tracciare sul pilastro una linea orizzontale alla stessa altezza in cui verrà a trovarsi la staffa di fissaggio del braccio sull'anta, dopo l'installazione.

02. Stabilire la posizione del motoriduttore in senso ORIZZONTALE:

a) **Stabilire l'apertura massima dell'anta:** determinare l'angolo di massima apertura (massimo 110°).

b) **Misurare la quota B e determinare la quota A:**

1 - Misurare sul pilastro la **quota B** (**fig. 5**). Questa è la distanza tra il fulcro di rotazione dell'anta e la superficie del pilastro dove verrà fissata la staffa posteriore del motoriduttore.

2 - Segnare sul **Grafico 2A** la **quota B** appena trovata e tracciare da questo punto una linea verticale, fino ad intersecare l'area che comprende il valore dell'angolo misurato al punto a.

3 - Nei punti di intersezione tra la linea verticale e l'area, tracciare delle linee orizzontali fino alla colonna "A", per determinare i valori utilizzabili per la **quota A**. Quindi, scegliere tra questi un valore di A possibilmente minimo.

4 - Riportare sul pilastro il valore della **quota A** e tracciare in corrispondenza una linea verticale (**fig. 6**).

5 - Se nelle vicinanze della linea verticale c'è un muro o un altro ostacolo fisso, misurare la distanza tra questa linea e l'ostacolo (**fig. 7**): questa distanza è la **quota E**.

ATTENZIONE!

• Se la **quota E** è un valore compreso tra 80 mm (minimo) e 299 mm (massimo), continuare l'installazione effettuando di seguito la procedura 3.4.3.

• Se la **quota E** è un valore uguale o superiore a 300 mm, continuare l'installazione effettuando di seguito la procedura 3.4.2.

5 - Sbloccare il motoriduttore con l'apposita chiave (vedere cap. 3.8).

3.4.2 - Installazione del motoriduttore con BRACCIO DI LUNGHEZZA STANDARD

Attenzione! - Questa installazione può essere eseguita esclusivamente dopo aver completato la procedura 3.4.1.

01. Fissare il motoriduttore sul pilastro (**fig. 8**):

a) Appoggiare il motoriduttore sul pilastro(*) facendo corrispondere la sua mezzeria verticale con la linea verticale tracciata prima (quota A), e il suo braccio, con la linea orizzontale tracciata durante la procedura 3.4.1. In questa fase, accertarsi che il motoriduttore sia perfettamente in bolla: un motoriduttore fuori asse può provocare malfunzionamenti all'automazione. (*) **Nota** - Se la superficie del pilastro ha una larghezza compresa tra 80 e 135 mm, prima di continuare l'installazione è necessario ruotare di 90° la staffa posteriore di fissaggio del motoriduttore. Per ruotare la staffa fare riferimento alla **fig. 9**.

b) Segnare i punti di fissaggio, forare la superficie del pilastro e inserire i tasselli; a questo punto, fissare il motoriduttore utilizzando viti e rondelle adeguate.

02. Fissare il braccio del motoriduttore sull'anta (**fig. 8**):

c) Portare l'anta del cancello nella posizione di massima chiusura;

d) Spingere con forza il braccio del motoriduttore **fino alla sua massima estensione**. **Attenzione!** - Accertarsi che il braccio si blocchi nel suo finecorsa;

e) Avvicinare il braccio all'anta, appoggiando su quest'ultima la staffa di fissaggio.

f) Accertarsi che il braccio del motoriduttore sia in bolla e segnare con una matita il **centro del profilo delle asole** della staffa, per permettere in futuro una regolazione fine della chiusura dell'anta (vedere il paragrafo 3.7).

g) Tenendo con una mano la staffa a contatto con l'anta, provare a effettuare una apertura e una chiusura completa, fino ai rispettivi fermi meccanici. **Attenzione!** - Se durante la prova il movimento del braccio è ostacolato da un muro o altro oggetto fisso, interrompere la procedura ed eseguire la procedura 3.4.3.

h) Forare l'anta nei punti segnati e staccare la staffa dal braccio e fissarla all'anta del cancello con viti adeguate.

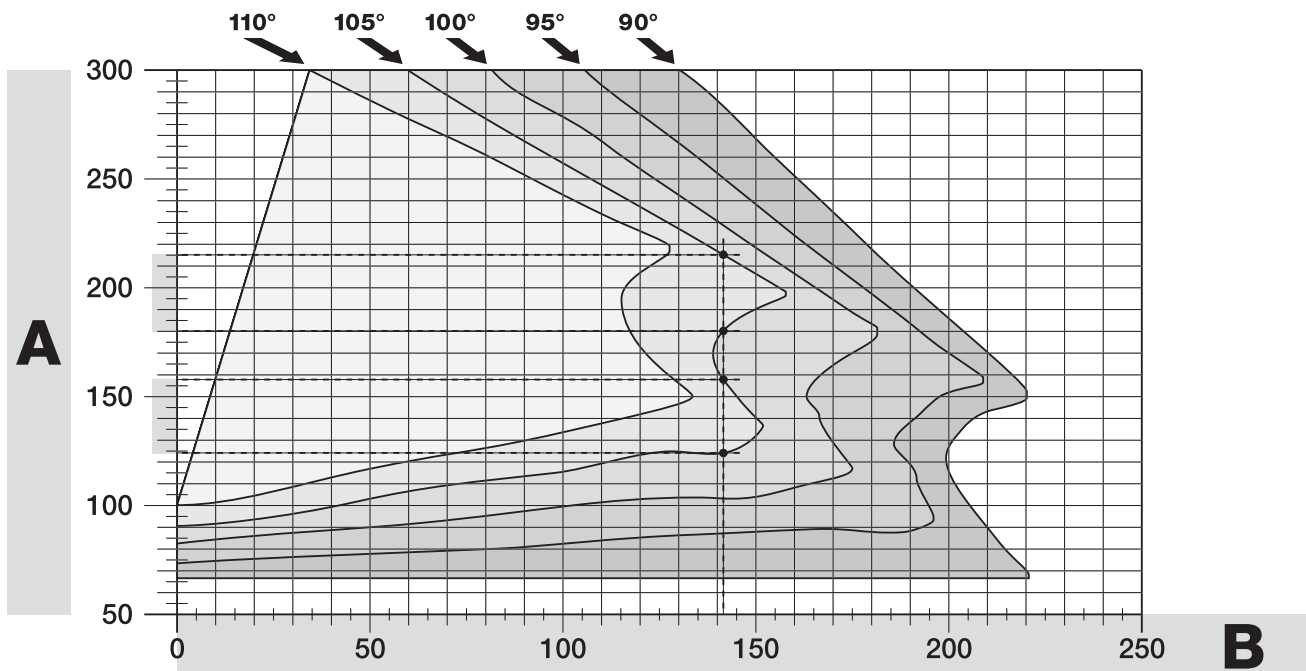
i) Fissare il braccio alla staffa, inserendo il perno e il benzing di arresto. **Importante** - Controllare che la staffa e il braccio siano perfettamente in bolla. Eventualmente allentare le viti della staffa e mettere in bolla. Questa verifica può essere effettuata anche misurando la quota di 75 mm (vedere **fig. 8** fase 2).

l) Fissare a terra i fermi di finecorsa, in modo stabile e definitivo, nella stessa posizione stabilita all'inizio della procedura. **Attenzione!** - Verificare che l'anta chiuda perfettamente contro il fermo di finecorsa (non in dotazione).

m) Infine, portare manualmente l'anta del cancello a circa metà della sua corsa e bloccare il motoriduttore con l'apposita chiave (vedere cap. 3.8). Quindi, spostare manualmente l'anta di pochi centimetri, in direzione dell'apertura.

03. Se il cancello da automatizzare è a due ante, per installare l'altro motoriduttore ripetere tutte le operazioni descritte in questo capitolo 3.4.

GRAFICO 2A



3.4.3 - Installazione del motoriduttore con BRACCIO DI LUNGHEZZA RIDOTTA

Attenzione! - Questa installazione può essere eseguita esclusivamente dopo aver completato la procedura 3.4.1.

01. Definire una nuova apertura massima dell'anta (massimo 90°): senza considerare l'apertura massima dell'anta stabilita durante la procedura 3.4.1, portare l'anta in una nuova posizione di massima apertura, accertandosi che l'angolo non superi i 90°. Quindi, bloccare l'anta in questa posizione con un fermo a terra, **fissato in modo provvisorio**.

02. Definire le quote A - B - C:

a) Misurare sul pilastro la **quota B** (fig. 10). Questa è la distanza tra il fulcro di rotazione dell'anta e la superficie del pilastro dove verrà fissata la staffa posteriore del motoriduttore.

b) Segnare sul **Grafico 2B** la **quota B** appena trovata e tracciare da questo punto una linea verticale.

c) Sul pilastro, stabilire il valore della **quota A** in cui fissare la staffa posteriore del motoriduttore (fare riferimento alla fig. 11). **Importante!** - Scegliere un valore di **A possibilmente minimo, per allontanare il motore dall'ostacolo**.

d) Segnare sul **Grafico 2B** la **quota A** appena trovata e tracciare da questo punto una linea orizzontale, fino ad intersecare la linea verticale tracciata prima. Il punto d'incontro tra le due linee definisce la **quota C**, cioè la distanza che deve esserci tra i due perni del braccio asolato (fig. 12). *Esempio presente nel grafico 2B: se il valore di B è 105 mm e A è 143 mm, il punto C è 182.*

03. Fissare il motoriduttore sul pilastro (fig. 13):

a) Appoggiare il motoriduttore sul pilastro(*) facendo corrispondere la sua mezzeria verticale con la linea verticale tracciata prima (quota A), e il suo braccio, con la linea orizzontale tracciata durante la procedura 3.4.1. In questa fase, accertarsi che il motoriduttore sia perfettamente in bolla: un motoriduttore fuori asse può provocare malfunzionamenti all'automazione.

(*) **Nota** - Se la superficie del pilastro ha una larghezza compresa tra 80 e 135 mm, prima di continuare l'installazione è necessario ruotare di 90° la staffa posteriore di fissaggio del motoriduttore. Per ruotare la staffa fare riferimento alla fig. 8.

b) Segnare i punti di fissaggio, forare la superficie del pilastro e inserire i tasselli; a questo punto, fissare il motoriduttore utilizzando viti e rondelle adeguate.

04. Ridurre la lunghezza del braccio asolato (fig. 14):

a) Per ridurre la lunghezza del braccio asolato alla **quota C** (quella trovata al punto 02-d), svitare il dado, togliere il fermo, distanziare i due perni secondo la quota C e, infine, chiudere il dado **in modo provvisorio**.

05. Verificare la quota C del braccio asolato rispetto al contesto (fig. 15 - 16):

a) Portare l'anta del cancello nella posizione di massima chiusura;

b) Aprire completamente il braccio del motoriduttore, al massimo del suo angolo di apertura (vedere fig. 15 fase 1);

c) Avvicinare il braccio all'anta, appoggiando su quest'ultima la staffa di fissaggio: **attenzione!** - **spingere con le mani il braccio curvo contro l'anta, fino al blocco del braccio (massima apertura - vedere fig. 15, fase 1a).**

d) Accertarsi che il braccio del motoriduttore sia in bolla e segnare con una matita **il centro del profilo delle asole della staffa**, per permettere in futuro una regolazione fine della chiusura dell'anta (vedere il paragrafo 3.7).

e) Fissare provvisoriamente la staffa sull'anta e portare l'anta nella posizione di massima apertura contro il fermo a terra.

f) Con l'anta in questa posizione, effettuare la verifica mostrata in **fig. 16** (tendere un filo passante sopra i due perni del braccio asolato, fino ad arrivare al cardine dell'anta). **Attenzione!** - Se **rispetto al cardine** il filo si trova in posizione "BB" di **fig. 16**, è necessario **allungare** di qualche millimetro la **quota C**. Questa operazione deve essere ripetuta fino a quando il filo viene a trovarsi nella posizione "AA" di **fig. 16** e fino a quando il braccio non urta più il muro o altro ostacolo fisso.

06. Tagliare il braccio asolato (fig. 17):

Dopo aver verificato il corretto funzionamento dell'articolazione, tagliare il braccio asolato nel modo seguente.

a) Tracciare una linea sul braccio asolato, nell'esatta posizione indicata in **fig. 17**, fase 1. Quindi smontare il braccio dalla staffa e tagliare la parte superflua del braccio.

b) Assemblare di nuovo i componenti del braccio (fig. 3).

07. Fissare il braccio del motoriduttore sull'anta (fig. 18):

a) Forare l'anta nei punti segnati precedentemente.

b) Staccare la staffa dal braccio e fissarla all'anta del cancello con viti adeguate.

c) Fissare il braccio alla staffa, inserendo il perno e il benzing di arresto. **Importante** - Controllare che la staffa e il braccio siano perfettamente in bolla. Eventualmente allentare le viti della staffa e mettere in bolla. Questa verifica può essere effettuata anche misurando la quota di 75 mm (vedere **fig. 8** fase 2).

d) Fissare a terra i fermi di finecorsa, in modo stabile e definitivo, **nella stessa posizione** stabilita all'inizio della procedura.

Attenzione! - Verificare che l'anta chiuda perfettamente contro il fermo di finecorsa. Per una regolazione fine della chiusura fare riferimento al paragrafo 3.7.

e) Infine, portare manualmente l'anta del cancello a circa metà della sua corsa e bloccare il motoriduttore con l'apposita chiave (vedere cap. 3.8) Quindi, spostare manualmente l'anta di pochi centimetri, in direzione dell'apertura.

08. Se il cancello da automatizzare è a due ante, per installare l'altro motoriduttore ripetere tutte le operazioni descritte in questo capitolo 3.4.

3.5 - Installazione della lampada multifunzione mod. WLT sul motoriduttore modello WL1024C

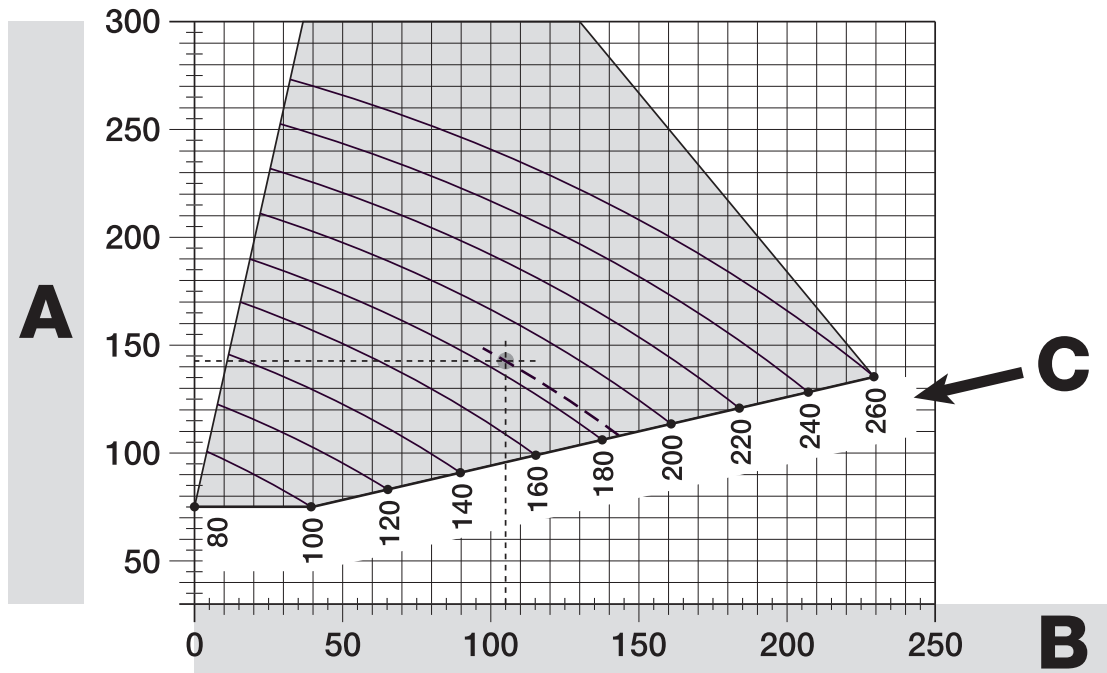
Avvertenza - WLT può funzionare come luce di segnalazione lampeggiante o luce di cortesia, secondo la programmazione della centrale di comando.

Seguire le fasi d'installazione mostrate in **fig. 21**, rispettando la sequenza indicata e le seguenti avvertenze:

• **per la fase 4** - Ruotare l'alimentatore nella direzione della freccia, facendo attenzione ai cavi sottostanti che lo collegano al motoriduttore.

• **per la fase 7** - Distendere bene i cavi e inserire il connettore nell'uscita FLASH come indicato; bloccare i cavi inserendoli nello strozzacavo.

GRAFICO 2B



- **per la fase 11** – Posizionare la scheda elettrica sul perno della base, secondo l'utilizzo desiderato: **A** = luce diffusa; **B** = luce a fascio direzionale (in questo caso il fascio luminoso può essere orientato incastrando la scheda in uno dei fori predisposti sulla base).

- **per la fase 12** – Distendere bene i cavi, tagliare la parte eccedente e posizionare i cavi in modo che non proiettino ombre sui led e sul sensore luce presente sul retro della scheda elettrica.

- **per la fase 13** – Far coincidere la freccia presente sul coperchio con quella presente sulla base. Accertarsi che i 4 denti presenti sulla base si incastrino nelle scanalature interne del coperchio.

Nota – Se la lampada multifunzione WLT non viene installata nella parte superiore del motoriduttore "Walky", va collegata al morsetto ELS come descritto nel paragrafo 4.1 - "Descrizione dei collegamenti elettrici".

3.6 - Come estrarre la centrale di comando

01. Togliere il coperchio inferiore del motoriduttore (fig. 19 fase 1-2);

02. Svitare le 4 viti del supporto passacavi e toglierlo (fig. 24 fase 1-2);

03. Tirare la centrale nel senso della freccia, per circa 4 centimetri, e staccare il connettore del motore (fig. 24 fase 3-4).

04. Infine, estrarre completamente la centrale.

Attenzione! - Nel collegare di nuovo il motore alla centrale, rispettare la polarità del connettore (questo può essere inserito soltanto in un verso!).

3.7 - Regolazione dell'allineamento delle ante in chiusura

01. Togliere il braccio asolato dalla staffa di fissaggio sull'anta;

02. Allentare le viti della staffa e spostare questa di qualche millimetro, in direzione del motoriduttore;

03. Quindi, rimettere il braccio asolato nella staffa, chiudere l'anta e accertarsi che questa sia allineata con l'altra anta e che sia a contatto con il fermo di finecorsa. **Attenzione!** - Se necessario, ripetere il punto 02 fino ad ottenere un'allineamento ottimale;

04. Praticare un foro sull'anta, in corrispondenza del foro presente nel centro della staffa di fissaggio, e mettere una vite. Quindi bloccare definitivamente la staffa serrando le tre viti;

05. Infine, fissare il braccio asolato alla staffa, inserendo il perno e il benzing di arresto.

3.8 - Sbloccare e bloccare manualmente il motoriduttore

Il motoriduttore è dotato di un sistema di sblocco meccanico che consente di aprire e chiudere il cancello manualmente.

Queste operazioni manuali devono essere eseguite nei casi di mancanza di corrente elettrica, anomalie di funzionamento o nelle fasi di installazione.

Sbloccare (fig. 22-A):

01. Alzare lo sportellino;

02. Inserire la chiave nell'apposito perno di sblocco;

03. Ruotare la chiave in senso orario, compiendo quasi un giro completo.

04. A questo punto sarà possibile muovere manualmente l'anta del cancello nella posizione desiderata.

Bloccare (fig. 22-B):

Nota – Per effetto dell'elasticità dell'anta, dopo lo sblocco ad anta chiusa potrebbe non essere possibile eseguire il blocco dell'anta nella stessa posizione.

01. Ruotare in senso antiorario la chiave sul perno di sblocco e muovere manualmente l'anta fino a quando si sente il rumore meccanico di aggancio dell'anta al meccanismo di traino.

02. Togliere la chiave dal perno e riposizionare lo sportellino.

4 COLLEGAMENTI ELETTRICI

Il collegamento elettrico dei vari dispositivi (fotocellule, tastiere digitali, lettori di tessere a transponder, ecc.) presenti nell'automazione con la centrale di comando, avviene tramite il sistema "Bluebus" di Nice. Questo sistema, permette di effettuare i collegamenti elettrici con l'utilizzo di soli 2 conduttori sui quali transita sia l'alimentazione elettrica sia i segnali di comunicazione. Il collegamento elettrico da utilizzare è di tipo parallelo e non necessita di rispettare alcuna polarità. Durante la fase di apprendimento, ogni dispositivo collegato alla centrale verrà riconosciuto singolarmente da questa, grazie ad un codice univoco. Ogni volta che verrà aggiunto o eliminato un dispositivo, sarà necessario eseguire l'apprendimento da parte della centrale (vedere paragrafo 4.7).

4.1 - Descrizione dei collegamenti elettrici (fig. 23)

M1	uscita per motoriduttore 1
ELS	uscita per elettroserratura da 12 Vac (massimo 15 VA). L'uscita ELS può essere programmata con altre funzioni (per esempio lampeggiante, luce di cortesia ecc) tramite il programmatore Oview (vedere capitolo 8.3).

BLUEBUS ingresso per dispositivi compatibili (MOFB, MOFOB, MOB, MOTB ecc). Il collegamento dei dispositivi è di tipo parallelo tramite 2 conduttori sui quali transita sia l'alimentazione elettrica sia il segnale di comunicazione; nell'effettuare il collegamento non è necessario rispettare alcuna polarità. Ogni dispositivo viene riconosciuto singolarmente dalla Centrale grazie ad un indirizzo univoco che viene assegnato durante l'installazione (vedere paragrafo 4.7)

STOP ingresso per dispositivi che con il loro intervento provocano l'arresto immediato della manovra in atto, seguito da una breve inversione; possibilità di collegare contatti di tipo NA, NC oppure dispositivi con uscita a resistenza costante 8,2 kΩ (bordi sensibili). Ogni dispositivo collegato a questo ingresso, viene riconosciuto singolarmente dalla centrale durante la fase di apprendimento (paragrafo 4.7); dopo questa fase, se la centrale rileva una qualsiasi variazione rispetto allo stato appreso, provoca uno STOP. È possibile collegare a questo ingresso uno o più dispositivi anche diversi tra loro:

- collegare in parallelo più dispositivi NA, senza limiti di quantità;
- collegare in serie più dispositivi NC, senza limiti di quantità;
- collegare in parallelo 2 dispositivi con uscita a resistenza costante 8,2 kΩ. Se sono più di 2 i dispositivi è necessario collegarli a cascata con 1 sola resistenza di terminazione da 8,2 kΩ;
- collegare in parallelo 2 dispositivi NA e NC, mettendo in serie al contatto NC una resistenza da 8,2 kΩ (questo rende possibile anche la combinazione tra 3 dispositivi NA - NC e 8,2 kΩ)

P.P. ingresso per dispositivi di comando che intervenendo, provocano la manovra con modalità Passo Passo; possibilità di collegare contatti di tipo NA

ANTENNA ingresso per l'antenna di un ricevitore radio

4.2 - Collegamento del cavo di alimentazione

AVVERTENZA: sulla linea elettrica di alimentazione, è necessario prevedere un dispositivo che assicuri la disconnessione completa dell'automazione dalla rete. Il dispositivo di disconnessione deve avere i contatti con distanza di apertura tale da consentire la disconnessione completa, nelle condizioni sancite dalla categoria di sovratensione III, conformemente alle regole di installazione. In caso di necessità, questo dispositivo garantisce una veloce e sicura sconnessione dell'alimentazione; pertanto deve essere posizionato in vista dell'automazione. Se invece è collocato in posizione non visibile, deve avere un sistema che blocca un'eventuale riconnessione accidentale o non autorizzata dell'alimentazione, al fine di scongiurare qualsiasi pericolo. Il dispositivo di sconnessione non è fornito con il prodotto.

ATTENZIONE!

– Le operazioni di collegamento devono essere eseguite esclusivamente da personale qualificato.

– Tutti i collegamenti elettrici devono essere eseguiti in assenza di alimentazione elettrica di rete e con la batteria tampone scollegata, se presente nell'automazione.

01. Accedere all'alimentatore, svitando le 3 viti presenti sul coperchio superiore del motoriduttore e ruotare lentamente il coperchio nella direzione della freccia (fig. 24), facendo attenzione ai cavi sottostanti;

02. Collegare i cavi fase e neutro alla morsettiera dell'alimentatore, rispettando le indicazioni sull'etichetta; fermare l'occhiello del cavo di terra con la vite (fig. 25): **attenzione!** - orientare il capicorda verso l'imboccatura da cui fuoriesce il cavo di alimentazione;

03. Quindi tirare il cavo di alimentazione verso la centrale, in modo che la sua lunghezza sia appena sufficiente a far ruotare l'alimentatore e a richiudere il coperchio;

04. Richiudere il coperchio dell'alimentatore, stringere le viti del pressa cavo, inserire la centrale nella sua sede e rimontare il supporto passacavi;

Attenzione! - Richiudere il coperchio dell'alimentatore con tutte le viti e accertarsi che la guarnizione sia ben posizionata nella sua sede. La mancanza di una vite o della guarnizione può compromettere i circuiti interni.

4.3 - Collegamento del motoriduttore senza centrale mod. WL1024

01. Togliere il coperchio inferiore del motoriduttore senza centrale come mostrato in fig. 19, fase 1-2;

02. Svitare con un cacciavite a stella le 4 viti del supporto passacavi (fig. 20) e toglierlo (**attenzione!** - non perdere i 2 distanziali).

03. Allentare le due viti del pressa cavo (fig. 20, fase 6) e passare il cavo di collegamento; collegare i 3 cavi alla morsettiera rispettando i simboli sull'etichetta; infine stringere le viti del pressa cavo.

04. Utilizzando una chiave a brugola, regolare i 2 piedini all'interno del motoriduttore, fino a farli poggiare completamente sul pilastro (fig. 20, fase 7).

05. Tagliare il bordo del supporto passacavi (fig. 20, fase 8); rimettere in posizione i 2 distanziali; rimontare il supporto passacavi (fig. 20, fase 9) e rimettere il coperchio inferiore del motoriduttore (fig. 20, fase 10).

4.4 - Collegamento di altri dispositivi

Se si necessita di alimentare ulteriori dispositivi previsti nell'impianto, ad esempio un lettore di tessere a transponder oppure la luce d'illuminazione per il selettore a chiave, è possibile collegare questi dispositivi alla centrale di comando

sui morsetti "P.P. (positivo)" e "STOP (negativo)" (fig. 23). La tensione di alimentazione va da 18 a 31 Vdc con funzionamento alla tensione di rete o solemyo e da 11 a 14 Vdc circa con funzionamento a batterie tampone PS424. La corrente massima disponibile di 200 mA.

Nota – La tensione disponibile nei morsetti "P.P." e "STOP", rimane presente anche quando viene attivata la funzione "Stand By" sulla scheda.

4.5 - Indirizzamento delle fotocellule e di altri dispositivi BlueBus

Per permettere alla centrale di riconoscere le fotocellule collegate al morsetto Bluebus, è necessario eseguirne l'indirizzamento: posizionare correttamente il ponticello elettrico presente in ogni dispositivo, come mostrato in fig. 31.

Per eseguire l'indirizzamento di altri dispositivi, consultare i rispettivi manuali istruzioni.

4.6 - Prima accensione e verifica dei collegamenti

Dopo aver dato alimentazione elettrica alla centrale di comando, eseguire le seguenti verifiche:

- trascorsi alcuni secondi, verificare che il Led "Bluebus" (fig. 26) lampeggi regolarmente con frequenza di 1 lampeggio al secondo;
- verificare che i Led delle fotocellule, sia TX sia RX, emettano lampeggi. Il tipo di lampeggio emesso, in questa fase, non è significativo;
- verificare che sia spenta la lampada multifunzione WLT (impostata con funzione lampeggiante) collegata all'uscita FLASH presente sull'alimentatore.

Se tutto questo non avviene, è necessario togliere l'alimentazione elettrica alla centrale e controllare i vari collegamenti elettrici precedentemente effettuati.

4.7 - Apprendimento dei dispositivi collegati

Dopo aver effettuato la prima accensione, è necessario far riconoscere alla centrale i dispositivi collegati agli ingressi "Bluebus" e "Stop".

ATTENZIONE! – La fase di apprendimento deve essere eseguita anche se alla centrale non è collegato alcun dispositivo.

La centrale, è in grado di riconoscere singolarmente i vari dispositivi collegati grazie alla procedura di apprendimento e anche di rilevare con molta precisione le possibili anomalie presenti. Per questo, è necessario eseguire l'apprendimento dei dispositivi ogni volta che uno di questi viene collegato oppure viene rimosso.

I Led "L1" e "L2" presenti sulla centrale (fig. 26), emettono dei lampeggi lenti per indicare che è necessario eseguire l'apprendimento:

01. Premere e tenere premuti contemporaneamente i tasti "◀" e "Set" (fig. 26).
02. Rilasciare i tasti quando i led "L1" e "L2" iniziano a lampeggiare velocemente (dopo circa 3 secondi).
03. Attendere alcuni secondi che la centrale completi la fase di apprendimento dei dispositivi.
04. Al termine di questa fase il Led "Stop" deve essere acceso e i Led "L1" e "L2" si devono spegnere (potrebbero iniziare a lampeggiare i Led "L3" e "L4").

4.8 - Apprendimento delle posizioni degli arresti meccanici

Dopo l'apprendimento dei dispositivi (paragrafo 4.7), è necessario eseguire l'apprendimento da parte della centrale delle posizioni degli arresti meccanici (massima Apertura e massima Chiusura);

In questa fase viene rilevato l'angolo di apertura della ante dall'arresto meccanico di chiusura fino all'arresto meccanico di apertura. **È indispensabile la presenza di arresti meccanici fissi e sufficientemente robusti.**








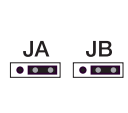
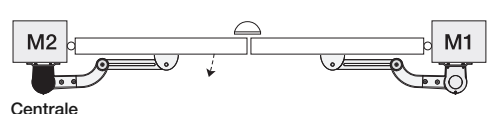
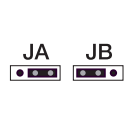
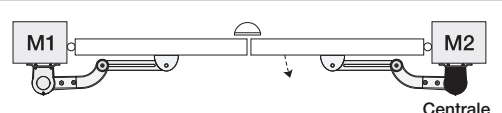
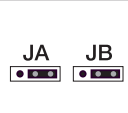
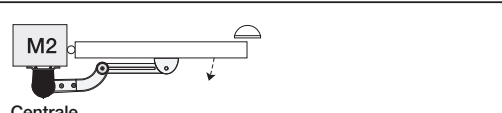

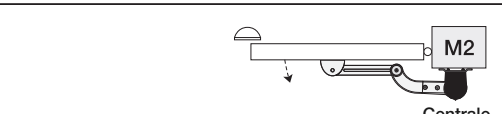
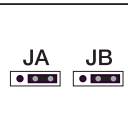
01. Individuare nella **Tabella 2** la figura che corrisponde al vostro impianto, impostare sulla centrale i ponticelli elettrici, **JA** e **JB**, nella stessa posizione prevista dalla figura individuata.
02. Sbloccare i motoriduttori con le apposite chiavi (vedere capitolo 3.8) e portare le ante a metà corsa in modo che siano libere di muoversi in apertura e chiusura; poi, bloccare i motoriduttori.
03. Sulla centrale, premere e tenere premuti contemporaneamente i tasti "Set" e "▶";
04. Quando i led "L3" e "L4" iniziano a lampeggiare velocemente, (dopo circa 3 sec.) rilasciare i tasti;
05. Verificare che l'automatismo esegua le seguenti sequenze di manovre:
 - a - Chiusura lenta del motoriduttore M1 fino all'arresto meccanico
 - b - Chiusura lenta del motoriduttore M2 fino all'arresto meccanico
 - c - Apertura lenta del motoriduttore M2 e del motoriduttore M1 fino all'arresto meccanico
 - d - Chiusura veloce completa del motoriduttore M1 e M2

• Se la prima manovra di una o entrambe le ante non è una chiusura, premere un tasto qualsiasi per fermare la fase di apprendimento e controllare la posizione dei ponticelli elettrici **JA** e **JB** facendo riferimento alla Tabella 2; oppure, verificare le polarità del motore senza centrale (mod. WL1024).

• Se il primo motore a muovere in chiusura non è M1, premere un tasto qualsiasi per fermare la fase di apprendimento e controllare la posizione dei ponticelli elettrici **JA** e **JB**, facendo riferimento alla Tabella 2.

• Se durante la fase di apprendimento c'è l'intervento di un qualunque dispositivo (fotocellule, selettore a chiave, pressione sui tasti ecc.), la fase di apprendimento verrà immediatamente arrestata. Sarà necessario quindi ripeterla per intero.

06. Al termine della manovra di chiusura dei 2 motori (d), i led "L3" e "L4" si spengono ad indicare che la procedura è stata eseguita correttamente.

TABELLA 2	
	
	
	
	
	
	
	
	

4.9 - Verifica del movimento delle ante del cancello

Al termine della fase di apprendimento e delle posizioni degli arresti meccanici, si consiglia di far eseguire alla centrale alcune manovre di apertura e chiusura, in modo da verificare il corretto movimento del cancello, gli eventuali difetti di montaggio e di regolazione oppure altre anomalie:

01. Premere il tasto **Open** (fig. 26) e verificare che durante la manovra di Apertura sia presente la fase di accelerazione, la fase a velocità costante, la fase di rallentamento e che le ante si fermino contro il finecorsa meccanico di apertura.
02. Premere il tasto **Close** (fig. 26) e verificare che durante la manovra di chiusura sia presente la fase di accelerazione, la fase a velocità costante, la fase di rallentamento e che le ante si fermino contro il finecorsa meccanico di chiusura.
03. Verificare, durante le manovre, che il lampeggiante esegua alcuni lampeggi con intervalli di 0,5 secondi a lampeggiante acceso e di 0,5 secondi a lampeggiante spento.

5 COLLAUDO E MESSA IN SERVIZIO

Queste sono le fasi più importanti nella realizzazione dell'automazione, al fine di garantire la massima sicurezza dell'impianto. Il collaudo può essere usato anche per verificare periodicamente i dispositivi che compongono l'automazione. Le fasi del collaudo e della messa in servizio dell'automazione devono essere eseguite da personale qualificato ed esperto che dovrà farsi carico di stabilire le prove necessarie a verificare le soluzioni adottate nei confronti dei rischi presenti, e di verificare il rispetto di quanto previsto da leggi, normative e regolamenti: in particolare, di tutti i requisiti della norma EN 12445 che stabilisce i metodi di prova per la verifica degli automatismi per cancelli.

I dispositivi aggiuntivi, devono essere sottoposti ad uno specifico collaudo, sia per quanto riguarda la funzionalità sia per quanto riguarda la loro corretta inte-

razione con WALKY; quindi, fare riferimento ai manuali istruzioni dei singoli dispositivi.

5.1 - Collaudo

La sequenza di operazioni da eseguire per il collaudo si riferisce ad un impianto tipico (fig. 2):

- 1 Sbloccare manualmente i motoriduttori e verificare che agendo sull'anta, nel punto previsto per la manovra manuale, sia possibile muovere le ante in apertura e in chiusura con una forza inferiore a 390 N.
- 2 Verificare che l'anta, lasciata ferma in una qualsiasi posizione della sua corsa, non si muova.
- 3 Bloccare i motoriduttori (vedere capitolo 3.8).
- 4 **ATTENZIONE!** – Verificare che i collegamenti a vite siano avvitati ben stretti.
- 5 Utilizzando i dispositivi di comando (trasmettitore, pulsante di comando, selettore a chiave, ecc.), effettuare delle prove di Apertura, Chiusura ed Arresto del cancello, accertando che il movimento delle ante corrisponda a quanto previsto. Conviene eseguire diverse prove al fine di valutare il movimento delle ante ed accertare eventuali difetti di montaggio, di regolazione, nonché la presenza di particolari punti d'attrito.
- 6 Verificare uno ad uno il corretto funzionamento di tutti i dispositivi di sicurezza presenti nell'impianto (fotocellule, bordi sensibili ecc.). Quando un dispositivo interviene il led "BLUEBUS", presente sulla centrale, emette 2 lampeggi più veloci come conferma dell'avvenuto riconoscimento.
- 7 Se le situazioni pericolose provocate dal movimento delle ante sono state salvaguardate mediante la limitazione della forza d'impatto si deve eseguire la misura della forza secondo quanto previsto dalla norma EN 12445 ed eventualmente, se il controllo della "forza motoriduttore" viene usato come ausilio al sistema per la riduzione della forza d'impatto, provare e infine trovare la regolazione che dia i risultati migliori.

- 8 Fissare in modo permanente, in una zona adiacente all'automazione, un'etichetta che descrive come sbloccare manualmente il motoriduttore.

5.2 - Messa in servizio

La messa in servizio può avvenire solo dopo aver eseguito con esito positivo tutte le fasi di collaudo.

- 1 Realizzare il fascicolo tecnico dell'automazione che dovrà comprendere i seguenti documenti: un disegno complessivo dell'automazione, lo schema dei collegamenti elettrici effettuati, l'analisi dei rischi presenti e le relative soluzioni adottate, la dichiarazione di conformità del fabbricante di tutti i dispositivi utilizzati e la dichiarazione di conformità compilata dall'installatore.
- 2 Apporre sul cancello una targhetta contenente almeno i seguenti dati: tipo di automazione, nome e indirizzo del costruttore (responsabile della "messa in servizio"), numero di matricola, anno di costruzione e marchio "CE".
- 3 Compilare e consegnare al proprietario dell'automazione la dichiarazione di conformità dell'automazione.
- 4 Compilare e consegnare al proprietario dell'automazione il "Manuale per l'uso" dell'automazione.
- 5 Compilare e consegnare al proprietario dell'automazione il "Piano di manutenzione" che raccoglie le prescrizioni sulla manutenzione di tutti i dispositivi dell'automazione.
- 6 Prima di mettere in servizio l'automazione informare adeguatamente il proprietario sui pericoli ed i rischi residui ancora presenti.

Per tutta la documentazione citata, Nice attraverso il proprio servizio di assistenza tecnica, mette a disposizione: manuali d'istruzioni, guide e moduli precompilati. Vedere anche su: www.nice-service.com

6 PROGRAMMAZIONE DELLA CENTRALE DI COMANDO

Sulla centrale sono presenti 3 tasti **OPEN** (◀), **STOP (SET)**, **CLOSE** (▶) che possono essere utilizzati sia per comandare la centrale durante le fasi di prova sia per la programmazione delle funzioni disponibili.

Le funzioni programmabili disponibili sono disposte su 2 livelli e il loro stato di funzionamento viene segnalato dai 4 led (L1 ... L4) presenti sulla centrale (led acceso = funzione attiva; led spento = funzione non attiva).

Utilizzare i tasti di programmazione (fig. 26):

OPEN (◀): – tasto per comandare l'Apertura del cancello; – tasto di selezione in fase di programmazione.

STOP/SET: tasto per fermare una manovra; se premuto per più di 5 secondi permette di entrare in fase di programmazione.

CLOSE (▶): – tasto per comandare la Chiusura del cancello; – tasto di selezione in fase di programmazione.

6.1 - Programmazione primo livello (ON-OFF)

Tutte le funzioni del primo livello sono programmate di fabbrica su "OFF" e possono essere modificate in qualsiasi momento. Per verificare le varie funzioni vedere **Tabella 5**. Per la procedura di programmazione vedere **Tabella 6**.


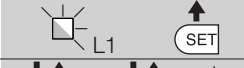



Nota – Queste procedure, possono essere nuovamente eseguite in qualsiasi momento, anche dopo aver collegato un nuovo dispositivo alla centrale.

IMPORTANTE – La procedura di programmazione presenta un tempo massimo di 10 secondi tra la pressione di un tasto e l'altro. Trascorso questo tempo, la procedura termina automaticamente memorizzando le modifiche fatte fino a quel momento.

TABELLA 5 - Funzioni di primo livello

Led	Funzione	Descrizione
L1	Chiusura automatica	Funzione ATTIVA: dopo una manovra di apertura, viene eseguita una pausa (pari al Tempo pausa programmato) trascorsa la quale, la centrale avvia automaticamente una manovra di chiusura. Il valore di fabbrica del Tempo pausa è pari a 30 sec. Funzione NON ATTIVA: il funzionamento è di tipo "semiautomatico".
L2	Richiudi dopo foto	Funzione ATTIVA: se durante la manovra di apertura o chiusura intervengono le fotocellule, il tempo di pausa si riduce a 5 sec. indipendentemente dal "tempo pausa" programmato. Con la "chiusura automatica" disattivata, se durante la Chiusura intervengono le fotocellule, si attiva la "chiusura automatica" con il "tempo pausa" programmato.
L3	Chiudi sempre	Funzione ATTIVA: nel caso di un black-out elettrico, anche breve, al ripristino della corrente elettrica la centrale rileva il cancello aperto e automaticamente avvia una manovra di Chiusura, preceduta da 5 sec. di prelampeggio. Funzione NON ATTIVA: al ritorno della corrente elettrica il cancello rimane dov'è.
L4	Stand by (Bluebus)	Funzione ATTIVA: dopo 1 minuto dal termine della manovra, la centrale spegne l'uscita "Bluebus" (dispositivi collegati) e tutti i led, escluso il led Bluebus che lampeggerà più lentamente. Quando la centrale riceve un comando ripristina il normale funzionamento (con un breve ritardo). Questa funzione ha lo scopo di ridurre i consumi; aspetto importante con alimentazione a batterie o pannelli fotovoltaici.

TABELLA 6 - Procedura di programmazione primo livello

01. Premere e tenere premuto il tasto "Set" per circa 3 secondi;	
02. Rilasciare il tasto quando il led "L1" inizia a lampeggiare;	
03. Premere il tasto "◀" o "▶" per spostare il led lampeggiante sul led che rappresenta la funzione da modificare;	
04. Premere il tasto "Set" per cambiare lo stato della funzione: (lampeggio breve = OFF - lampeggio lungo = ON);	
05. Attendere 10 secondi (tempo massimo) per uscire dalla programmazione.	

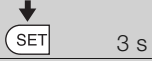
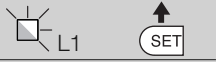


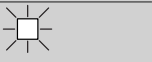



Nota – Per programmare altre funzioni su "ON" oppure "OFF", durante l'esecuzione della procedura, occorre ripetere i punti 03 e 04 durante la fase stessa.

6.2 - Programmazione secondo livello (parametri regolabili)

Tutti i parametri del secondo livello sono programmati di fabbrica come evidenziato in **colore grigio** nella Tabella 8 e possono essere modificate in qualsiasi momento, procedendo come descritto nella **Tabella 7**.

I parametri, sono regolabili su una scala di valori da 1 a 4; per verificare il valore corrispondente ad ogni Led vedere **Tabella 8**. **IMPORTANTE** – La procedura di programmazione presenta un tempo massimo di 10 secondi tra la pressione di un tasto e l'altro. Trascorso questo tempo, la procedura termina automaticamente memorizzando le modifiche fatte fino a quel momento.

TABELLA 7 - Procedura di programmazione secondo livello

01. Premere e tenere premuto il tasto "Set" per circa 3 secondi;	
02. Rilasciare il tasto quando il led "L1" inizia a lampeggiare;	
03. Premere il tasto "◀" o "▶" per spostare il led lampeggiante sul led che rappresenta "led di entrata" del parametro da modificare;	
04. Premere e mantenere premuto il tasto "Set" fino alla conclusione del punto 06;	
05. Attendere circa 3 secondi, fino a quando si accende il led che rappresenta il livello attuale del parametro da modificare;	
06. Premere il tasto "◀" o "▶" per spostare il led che rappresenta il valore del parametro;	
07. Rilasciare il tasto "Set";	
08. Attendere 10 secondi (tempo massimo) per uscire dalla programmazione.	

Nota – Per programmare più parametri, durante l'esecuzione della procedura, occorre ripetere le operazioni dal punto 03 al punto 07 durante la fase stessa.

TABELLA 8 - Funzioni di secondo livello

Led di entrata	Parametro	Led (livello)	Valore	Descrizione
L1	Tempo Pausa	L1	5 secondi	Regola il tempo di pausa, cioè il tempo prima della richiusura automatica. Ha effetto solo se la Chiusura è attiva.
		L2	30 secondi	
		L3	60 secondi	
		L4	120 secondi	
L2	Funzione Passo Passo	L1	Apri - stop - chiudi - stop	Regola la sequenza di comandi associati all'ingresso "Passo Passo" oppure al comando radio. Nota – Impostando L4 viene modificato anche il comportamento dei comandi "Apri" e "Chiudi".
		L2	Apri - stop - chiudi - apri	
		L3	Apri - chiudi - apri - chiudi	
		L4	Condominiale: • nella manovra di <u>apertura</u> il comando "Passo Passo" e "Apri" non provocano nessun effetto; invece, il comando "Chiudi" provoca l'inversione del movimento, cioè la chiusura delle ante. • nella manovra di <u>chiusura</u> il comando "Passo Passo" e "Apri" provocano l'inversione del movimento, cioè l'apertura delle ante; invece, il comando "Chiudi" non provoca nessun effetto.	
L3	Velocità motori	L1	Lenta	Regola la velocità dei motori durante la corsa normale.
		L2	Media	
		L3	Veloce	
		L4	Velocissima	
L4	Forza motori	L1	Livello 1 - Forza minima	Regola la forza di entrambi i motori.
		L2	Livello 2 - ...	
		L3	Livello 3 - ...	
		L4	Livello 4 - Forza massima	

6.3 - Cancellazione della memoria

Per cancellare la memoria della centrale e ripristinare tutte le impostazioni di fabbrica, procedere nel modo seguente: premere e tenere premuto i tasti "◀" e "▶" fino a quando i led L1 e L2 iniziano a lampeggiare.

6.4 - Funzioni speciali

Funzione: "Muovi comunque"

Questa funzione, permette di far funzionare l'automazione anche quando qualche dispositivo di sicurezza non funziona correttamente oppure è fuori uso. È possibile comandare l'automazione in modalità "uomo presente", procedendo nel modo seguente:

- 01.** Inviare un comando per azionare il cancello, con un trasmettitore oppure con un selettore a chiave, ecc. Se tutto funziona correttamente il cancello si muoverà regolarmente, altrimenti procedere come di seguito:
- 02.** Entro 3 secondi, azionare nuovamente il comando e mantenerlo azionato;
- 03.** Dopo 2 secondi circa, il cancello effettuerà la manovra richiesta in modalità

a "uomo presente"; cioè, il cancello continuerà a muoversi solo fino a quando verrà mantenuto azionato il comando.

Quando i dispositivi di sicurezza non funzionano, il segnalatore lampeggiante emette alcuni lampeggi per segnalare il tipo di problema (vedere capitolo 7 - Tabella 10).

7 COSA FARE SE... (guida alla risoluzione dei problemi)

Alcuni dispositivi sono predisposti per emettere delle segnalazioni con il quale è possibile riconoscere lo stato di funzionamento oppure di eventuali anomalie. Se all'uscita FLASH presente sull'alimentatore viene collegata la lampada multifunzione WLT, impostata con funzione lampeggiante, questo durante l'esecuzione di una manovra, emette un lampeggio con cadenza di 1 secondo. Se si verificano delle anomalie, il lampeggiante emette dei lampeggi più brevi; questi

vengono ripetuti due volte divisi da una pausa di 1 secondo. Nella **Tabella 10** sono descritte la causa e la soluzione per ogni tipo di segnalazione. Anche i Led presenti sulla centrale emettono delle segnalazioni; nella **Tabella 11** sono descritte la causa e la soluzione per ogni tipo di segnalazione.

TABELLA 10 - Segnalazioni del segnalatore lampeggiante (FLASH)

Lampeggi	Problema	Risoluzione
1 lampeggio breve pausa di 1 secondo 1 lampeggio breve	Errore sul sistema Bluebus	La verifica dei dispositivi collegati al sistema Bluebus, che viene eseguita all'inizio della manovra, non corrisponde ai dispositivi memorizzati durante la fase di apprendimento. È possibile che ci siano dispositivi scollegati o guasti, quindi occorre verificare e sostituire. Se sono state fatte delle modifiche occorre rifare l'apprendimento dei dispositivi (vedere paragrafo 4.7).
2 lampeggi brevi pausa di 1 secondo 2 lampeggi brevi	Intervento di una fotocellula	Una o più fotocellule non danno il consenso al movimento oppure durante la corsa hanno provocato una inversione del movimento; verificare se sono presenti ostacoli.
3 lampeggi brevi pausa di 1 secondo 3 lampeggi brevi	Intervento della funzione "Rilevamento Ostacoli" da limitatore di forza	Durante il movimento i motori hanno incontrato un maggiore sforzo; verificare la causa ed eventualmente aumentare il livello di forza dei motori.
4 lampeggi brevi pausa di 1 secondo 4 lampeggi brevi	Intervento dell'ingresso di STOP	All'inizio della manovra o durante il movimento c'è stato un intervento dei dispositivi collegati all'ingresso STOP; verificare la causa.
5 lampeggi brevi pausa di 1 secondo 5 lampeggi brevi	Errore nei parametri interni della centrale di comando	Attendere almeno 30 secondi e poi riprovare a dare un comando ed eventualmente spegnere anche l'alimentazione; se lo stato rimane, potrebbe esserci un guasto grave ed occorre sostituire la scheda elettronica.
6 lampeggi brevi pausa di 1 secondo 6 lampeggi brevi	Superato il limite massimo di manovre consecutive o di manovre per ora.	Attendere alcuni minuti in modo da far ritornare il limitatore di manovre sotto il limite massimo.
7 lampeggi brevi pausa di 1 secondo 7 lampeggi brevi	Anomalia sui circuiti elettrici	Attendere almeno 30 secondi e riprovare a inviare un comando ed eventualmente spegnere anche l'alimentazione; se lo stato rimane potrebbe esserci un guasto grave ed occorre sostituire la scheda elettronica.
8 lampeggi brevi pausa di 1 secondo 8 lampeggi brevi	È già presente un comando che non consente di eseguire altri comandi	Verificare la natura del comando sempre presente; ad esempio potrebbe essere il comando da un orologio sull'ingresso di "PASSO-PASSO".
9 lampeggi brevi pausa di 1 secondo 9 lampeggi brevi	L'automazione è stata bloccata da un comando "Blocca l'automazione".	Sbloccare l'automazione inviando il comando "Sblocca automazione".

TABELLA 11 - Segnalazioni dei Led presenti sulla centrale di comando (fig. 23)

Led	Problema	Risoluzione
BLUEBUS Sempre spento	Anomalia	Verificare se la centrale è alimentata; verificare che i fusibili non siano intervenuti. In questo caso verificare la causa del guasto e sostituirli con altri dello stesso valore
Sempre acceso	Anomalia grave	È presente un problema grave: provare a togliere l'alimentazione elettrica alla centrale e se lo stato permane, occorre sostituire la scheda elettronica
1 lampeggio al secondo	Tutto regolare	Funzionamento regolare della centrale
2 lampeggi veloci	Variazione dello stato degli ingressi	È regolare se avviene una variazione in uno degli ingressi (PP, STOP): intervento delle fotocellule oppure viene trasmesso un comando con un trasmettitore
Serie di lampeggi divisi da una pausa di 1 secondo	Varie	Fare riferimento alla Tabella 10
STOP Sempre spento	Intervento dei dispositivi collegati all'ingresso STOP	Verificare i dispositivi dell'ingresso STOP
Sempre acceso	Tutto regolare	Ingresso STOP attivo
P.P. Sempre spento	Tutto regolare	Ingresso P.P. non attivo
Sempre acceso	Intervento dell'ingresso P.P.	È regolare se è attivo il dispositivo collegato all'ingresso P.P.
L1 - L2 Lampeggio lento	Variazione del numero di dispositivi collegati al Bluebus oppure apprendimento dispositivo non eseguito	È necessario eseguire l'apprendimento dei dispositivi (vedere paragrafo 4.7)
L3 - L4 Lampeggio lento	Non è mai stato eseguito l'apprendimento delle posizioni degli arresti meccanici	È necessario eseguire l'apprendimento (vedere paragrafo 4.8).

8 APPROFONDIMENTI

Per WALKY sono previsti i seguenti accessori (ricevitore radio): il programmatore Oview, il sistema ad energia solare Solemyo e la batteria tampone mod. PS424.

8.1 - Collegamento del ricevitore radio OXI

Per collegare il ricevitore OXI, occorre togliere l'alimentazione elettrica alla centrale e procedere come mostrato in **fig. 27**. Nella **Tabella 12** e **Tabella 13** sono riportati i comandi che corrispondono alle uscite presenti sulla centrale.

TABELLA 12

SMXI / SMXIS oppure OXI / OXIFM / OXIT / OXITFM in modo I o Modo II

Uscita N°1	Comando "P.P." (Passo-Passo)
Uscita N°2	Comando "Apertura parziale 1"
Uscita N°3	Comando "Apre"
Uscita N°4	Comando "Chiude"

TABELLA 13

OXI / OXIFM / OXIT / OXITFM in modo II esteso

N°	Comando	Descrizione
1	Passo-Passo	Comando "P.P." (Passo-Passo)
2	Apertura parziale 1	Comando "Apertura parziale 1"
3	Apre	Comando "Apre"
4	Chiude	Comando "Chiude"
5	Stop	Arresta la manovra
6	Passo-Passo Condominiale	Comando in modalità Condominiale
7	Passo-Passo alta priorità	Comanda anche con automazione bloccata o comandi attivi
8	Apre parziale 2	Apre parziale (apertura dell'anta M2, pari a metà dell'apertura totale)
9	Apre parziale 3	Apre parziale (apertura delle due ante, pari a metà dell'apertura totale)
10	Apre e Blocca automazione	Provoca una manovra di apertura e al termine di questa il blocco dell'automazione; la centrale non accetta nessun altro comando ad eccezione di "Passo passo alta priorità", "Sblocca" automazione oppure (solo da Oview) i comandi: "Sblocca e chiude" e "Sblocca e apre"
11	Chiude e Blocca automazione	Provoca una manovra di chiusura e al termine di questa il blocco dell'automazione; la centrale non accetta nessun altro comando ad eccezione di "Passo passo alta priorità", "Sblocca" automazione oppure (solo da Oview) i comandi: "Sblocca e chiude" e "Sblocca e apre"
12	Blocca automazione	Provoca una fermata della manovra ed il blocco dell'automazione; la centrale non accetta nessun altro comando ad eccezione di "Passo passo alta priorità", "Sblocca" automazione oppure (solo da Oview) i comandi: "Sblocca e chiude" e "Sblocca e apre".
13	Sblocca automazione	Provoca lo sblocco dell'automazione ed il ripristino del normale funzionamento
14	On Timer Luce di Cortesia	Si accende l'uscita Luce di cortesia con spegnimento temporizzato
15	On-Off Luce di Cortesia	Si accende e spegne l'uscita Luce di cortesia in modalità On - Off

8.2 - Collegamento e installazione della batteria tampone mod. PS424

ATTENZIONE! - Il collegamento elettrico della batteria alla centrale deve essere eseguito soltanto dopo aver concluso tutte le fasi di installazione e programmazione, in quanto la batteria rappresenta un'alimentazione elettrica di emergenza.

Per installare e collegare la batteria, seguire le fasi di montaggio mostrate nella **fig. 28**.

8.3 - Collegamento del programmatore Oview

Sulla centrale è presente il connettore BusT4 al quale è possibile collegare l'unità di programmazione Oview, che consente una completa e rapida gestione della fase d'installazione, di manutenzione e di diagnosi dell'intera automazione. Per accedere al connettore è necessario procedere come mostrato in **fig. 29** e collegare il connettore nell'apposita sede. L'Oview può essere collegato a più Centrali simultaneamente (fino a 5 senza particolari precauzioni, fino a 60 seguendo le apposite avvertenze) e, può restare collegato alla centrale anche durante il normale funzionamento dell'automazione. In questo caso, può essere utilizzato per inviare direttamente i comandi alla centrale utilizzando lo specifico menù "utilizzatore". È anche possibile eseguire l'aggiornamento del Firmware. Se nella centrale è presente un ricevitore radio appartenente alla famiglia OXI, utilizzando l'Oview è possibile avere accesso ai parametri dei trasmettitori memorizzati nel ricevitore stesso.

Per tutti gli approfondimenti consultare il rispettivo manuale istruzioni ed il manuale del sistema "Opera system book".

8.4 - Collegamento del sistema ad energia solare Solemyo

ATTENZIONE! - Quando l'automazione è alimentata dal sistema "Solemyo", **NON DEVE ESSERE ALIMENTATA contemporaneamente anche dalla rete elettrica.**

Per altre informazioni sul sistema Solemyo fare riferimento al suo manuale istruzioni.

Per predisporre il collegamento del sistema Solemyo, seguire le fasi di montaggio mostrate nella **fig. 30**.

Per completare il collegamento tra Solemyo e la centrale del motoriduttore utilizzare l'apposito cavo adattatore.

9 MANUTENZIONE DEL PRODOTTO

Per mantenere costante il livello di sicurezza e per garantire la massima durata dell'intera automazione è necessaria una manutenzione regolare.

La manutenzione deve essere effettuata nel pieno rispetto delle prescrizioni sulla sicurezza del presente manuale e secondo quanto previsto dalle leggi e normative vigenti.

Sottoporre di frequente ad esame il prodotto, per verificare se ci sono sbilanciamenti delle ante o segni di usura o danni ai cavi. Non utilizzare il prodotto nel caso in cui siano necessarie delle riparazioni o delle regolazioni.

Importante - Durante le fasi di manutenzione oppure di pulizia del prodotto, scollegare la centrale dall'alimentazione elettrica e dalle batterie se previste.

Per gli altri dispositivi presenti nell'impianto, seguire quanto previsto nei rispettivi piani manutenzione.

Per i motoriduttori WL1024C, WL1024 è necessaria una manutenzione programmata al massimo entro 6 mesi o 20.000 manovre dalla precedente manutenzione.

Per eseguire la manutenzione procedere nel modo seguente:

01. Scollegare qualsiasi sorgente di alimentazione elettrica, comprese le eventuali batterie tampone;
02. Verificare lo stato di deterioramento di staffe e tasselli di fissaggio con particolare attenzione a fenomeni di erosione o di ossidazione delle parti; sostituire le parti che non forniscono sufficienti garanzie;
03. Effettuare una prova di sblocco per verificarne il corretto funzionamento vedi paragrafo 3.8.
04. Ricollegare le sorgenti di alimentazione elettrica ed eseguire tutte le prove e le verifiche previste nel capitolo 5.1 - Collaudo.

SMALTIMENTO DEL PRODOTTO

Questo prodotto è parte integrante dell'automazione, e dunque, deve essere smaltito insieme con essa.

Come per le operazioni d'installazione, anche al termine della vita di questo prodotto, le operazioni di smantellamento devono essere eseguite da personale qualificato.

Questo prodotto è costituito da vari tipi di materiali: alcuni possono essere riciclati, altri devono essere smaltiti. Informatevi sui sistemi di riciclaggio o smaltimento previsti dai regolamenti vigenti sul vostro territorio, per questa categoria di prodotto.

Attenzione! – Alcune parti del prodotto possono contenere sostanze inquinanti o pericolose che, se disperse nell'ambiente, potrebbero provocare effetti dannosi sull'ambiente stesso e sulla salute umana.

Come indicato dal simbolo a lato, è vietato gettare questo prodotto nei rifiuti domestici. Eseguire quindi la "raccolta separata" per lo smaltimento, secondo i metodi previsti dai regolamenti vigenti sul vostro territorio, oppure riconsegnare il prodotto al venditore nel momento dell'acquisto di un nuovo prodotto equivalente.



Attenzione! – i regolamenti vigenti a livello locale possono prevedere pesanti sanzioni in caso di smaltimento abusivo di questo prodotto.

Smaltimento della batteria tampone (se presente)

Attenzione! – La batteria scarica contiene sostanze inquinanti e quindi, non deve essere buttata nei rifiuti comuni.

Occorre smaltirla utilizzando i metodi di raccolta 'separata', previsti dalle normative vigenti nel vostro territorio.

CARATTERISTICHE TECNICHE DEL PRODOTTO

AVVERTENZE: • Tutte le caratteristiche tecniche riportate, sono riferite ad una temperatura ambientale di 20°C (± 5°C). • Nice S.p.a. si riserva il diritto di apportare modifiche al prodotto in qualsiasi momento lo riterrà necessario, mantenendone comunque la stessa funzionalità e destinazione d'uso.

Tipologia: Motoriduttore elettromeccanico per automatismi di cancelli e portoni automatici con motore in corrente continua, riduttore epicicloidale, sblocco meccanico. Solo per modello WL1024C: centrale di comando incorporata e ricevitore radio OXI

Coppia massima: 100 Nm

Coppia nominale: 50 Nm

Velocità a vuoto: 0,20 rad/s - 0,3 rad/s

Velocità alla coppia nominale: 0,16 rad/s - 0,24 rad/s

Frequenza massima dei cicli: 100 cicli completi al giorno (la centrale di WL1024C limita ad un massimo di circa 50 cicli/ora)

Tempo massimo ciclo continuo: 10 minuti circa

Limiti d'impiego: il prodotto può essere utilizzato su cancelli con peso fino a 180 kg (anta da 0,8 m) oppure con lunghezza dell'anta fino a 1,8 m e angolo di apertura fino 110°

Alimentazione: WL1024C: 230 Vac (+10% -15%) 50/60 Hz; WL1024: 24 Vdc (50%); WL1024C/V1: 120 Vac (+10% -15%) 50/60 Hz

Alimentazione d'emergenza: predisposizione per batterie tampone PS424

Alimentazione a pannelli solari: predisposizione per Kit SOLEMYO

Potenza nominale assorbita alla rete elettrica (WL1024C): 120 W

Corrente nominale assorbita (WL1024): 2 A; allo spunto la corrente è 3 A per un tempo massimo di 2 s

Potenza assorbita alla rete elettrica con funzione "Standby - Tutto (1)" attiva (compreso il ricevitore OXI): 3 W

Potenza assorbita con funzionamento a batteria tampone o KIT SOLEMYO con funzione "Standby-Tutto (1)" attiva (compreso il ricevitore OXI): inferiore a 100 mW

Uscita elettroserratura [*]: una elettroserratura da 12 Vac max 15 VA

Uscita lampeggiante [*]: un lampeggiante WLT oppure una lampada 12Vdc, 21 W max

Uscita BLUEBUS: un'uscita con carico massimo di 15 unità Bluebus (massimo 6 coppie di fotocellule MOFB o MOFOB più 2 coppie di fotocellule MOFB o MOFOB indirizzate come dispositivi di apertura più massimo 4 dispositivi di comando MOMB o MOTB)

Ingresso STOP: per contatti normalmente chiusi, normalmente aperti oppure a resistenza costante 8,2 kΩ; la selezione del tipo di contatto avviene in auto-apprendimento ed una variazione rispetto allo stato memorizzato provoca il comando "STOP"

Ingresso PP: per contatti normalmente aperti (la chiusura del contatto provoca il comando Passo Passo)

Innesto radio: connettore SM per ricevitori della famiglia SMXI, OXI e OXIFM

Ingresso ANTENNA Radio: 50 Ω per cavo tipo RG58 o simili

Funzioni programmabili: 4 funzioni di tipo ON-OFF (Tabella 5) e 4 funzioni regolabili (Tabella 8)

Funzioni in auto apprendimento: • Auto apprendimento dei dispositivi collegati all'uscita BlueBus. • Auto apprendimento del tipo di dispositivo collegato al morsetto "STOP" (contatto NA, NC o resistenza 8,2 kΩ). • Auto apprendimento della corsa delle ante e calcolo in automatico dei punti di rallentamento ed apertura parziale. • Auto apprendimento del funzionamento con uno o due motori

Montaggio: In verticale, con una piastra di fissaggio dedicata

Temperatura di funzionamento: da -20°C a +50°C (alle basse temperature l'efficienza del motoriduttore diminuisce)

Utilizzo in atmosfera particolarmente acida o salina o potenzialmente esplosiva: NO

Grado di protezione: IP 44 (con contenitore integro)

Dimensioni (mm): 90 x 125 x 385 h

Peso (kg): (WL1024C) 4,8; (WL1024) 4,3

Note:

(1) - Funzione attivabile con programmatore Oview.

[*] - Le uscite dei morsetti sulla centrale ("Elettroserratura") e sull'alimentatore ("Flash") possono essere riprogrammate con altre funzioni, utilizzando il programmatore Oview. Le caratteristiche elettriche di queste due uscite si adeguano in base al tipo di funzione scelta:

• funzione "elettroserratura": 12Vac, 15VA max;

• funzione "lampeggiante": una lampada multifunzione WLT, oppure una lampada a 12Vdc, 21W max;

• altri tipi di funzioni: una lampada o un relè a 24Vdc (-30% e +30%), 4 W max, se il funzionamento della centrale è alla tensione di rete, oppure una lampada o un relè a 12Vdc (-10% e +25%), 4 W max, se il funzionamento della centrale è a batteria tampone PS424.

Durabilità del prodotto

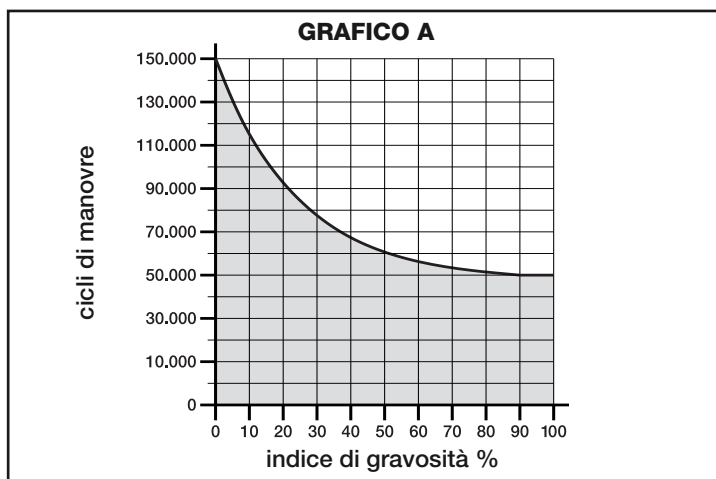
La durabilità è la vita economica media del prodotto. Il valore della durabilità è fortemente influenzato dall'indice di gravosità delle manovre eseguite dall'automatismo: cioè la somma di tutti i fattori che contribuiscono all'usura del prodotto (vedere Tabella 14).

Per stabilire la durabilità probabile del vostro automatismo procedere nel modo seguente:

01. Calcolare l'indice di gravosità sommando tra loro i valori in percentuale delle voci presenti nella **Tabella 14**;

02. Nel **Grafico A** dal valore appena trovato, tracciare una linea verticale fino ad incrociare la curva; da questo punto tracciare una linea orizzontale fino ad incrociare la linea dei "cicli di manovre". Il valore determinato è la durabilità stimata del vostro prodotto.

La stima di durabilità viene effettuata sulla base dei calcoli progettuali e dei risultati di prove effettuate su prototipi. Infatti, essendo una stima, non rappresenta alcuna garanzia sull'effettiva durata del prodotto.



Esempio del calcolo di durabilità di un motoriduttore Walky con braccio intero (fare riferimento alla Tabella 14 e al Grafico A): - peso dell'anta: 100 Kg; - lunghezza dell'anta = 1,7 m (indice di gravosità: 55%); - non presenti altri elementi di affaticamento; **Indice di gravosità totale = 55%; Durabilità stimata = 55.000 cicli di manovre**

TABELLA 14

Lunghezza anta	Peso anta	Indice di gravosità	
		BRACCIO LUNGHEZZA STANDARD	BRACCIO LUNGHEZZA RIDOTTA
< 1,2 m	> 100 kg	55%	65%
	< 100 kg	30%	50%
1,2 - 1,6 m	> 80 kg	55%	65%
	< 80 kg	40%	50%
> 1,6 m	> 60 kg	55%	-
	< 60 kg	40%	-
Temperatura ambientale superiore a 40°C o inferiore a 0°C o umidità superiore all'80%		15%	15%
Anta cieca		15%	10%
Installazione in zona ventosa		15%	10%

DICHIARAZIONE CE DI CONFORMITÀ

Nota - Il contenuto di questa dichiarazione corrisponde a quanto dichiarato nell'ultima revisione disponibile, prima della stampa di questo manuale, del documento ufficiale depositato presso la sede di Nice Spa. Il presente testo è stato riadattato per motivi editoriali.

Numero: 322/WL..

Revisione: 0

Il sottoscritto Luigi Paro in qualità di Amministratore Delegato, dichiara sotto la propria responsabilità che il prodotto:

Nome produttore:

NICE s.p.a.

Indirizzo:

Via Pezza Alta 13, Z.I. Rustignè, 31046 Oderzo (TV) Italia

Tipo:

Motoriduttore elettromeccanico

Modelli:

WL1024C, WL1024

Accessori:

OXI, OVBT, OVBTGSM, SYKCE, PS424

Risulta conforme a quanto previsto dalle seguenti direttive comunitarie:

- 98/37/CE (89/392/CEE modificata) DIRETTIVA 98/37/CE DEL PARLAMENTO EUROPEO E DEL CONSIGLIO del 22 giugno 1998 concernente il ravvicinamento delle legislazioni degli Stati membri relative alle macchine
Come previsto dalla direttiva 98/37/CE si avverte che non è consentita la messa in servizio del prodotto sopra indicato finché la macchina, in cui il prodotto è incorporato, non sia stata identificata e dichiarata conforme alla direttiva 98/37/CE.

Inoltre il prodotto risulta conforme a quanto previsto dalle seguenti direttive comunitarie, così come modificate dalla Direttiva 93/68/CEE del consiglio del 22 Luglio 1993:

- 2006/95/CEE(ex direttiva 73/23/CE) DIRETTIVA 2006/95/CE DEL PARLAMENTO EUROPEO E DEL CONSIGLIO del 12 dicembre 2006 concernente il ravvicinamento delle legislazioni degli Stati membri relative al materiale elettrico destinato ad essere adoperato entro taluni limiti di tensione
Secondo le seguenti norme armonizzate:
EN 60335-1:1994+A11:1995+A12:1996+A13:1998+A14:1998+A15:2000+A2:2000+A16:2001
- 2004/108/CEE(ex direttiva 89/336/CEE) DIRETTIVA 2004/108/CE DEL PARLAMENTO EUROPEO E DEL CONSIGLIO del 15 dicembre 2004 concernente il ravvicinamento delle legislazioni degli Stati membri relative alla compatibilità elettromagnetica e che abroga la direttiva 89/336/CEE
Secondo le seguenti norme armonizzate: EN 61000-6-2:2005; EN 61000-6-3:2007

Inoltre risulta conforme; limitatamente per le parti applicabili, alle seguenti norme:

EN 60335-1:2002+A1:2004+A11:2004+A12:2006+ A2:2006, EN 60335-2-103:2003, EN 13241-1:2003; EN 12453:2002; EN 12445:2002; EN 12978:2003

Oderzo, 29 maggio 2009

Luigi Paro (Amministratore Delegato)

Sommaire

1 - RECOMMANDATIONS ET PRÉCAUTIONS GÉNÉRALES	1
1.1 - Recommandations pour la sécurité	1
1.2 - Recommandations pour l'installation	1
1.3 - Recommandations pour l'utilisation	1
2 - DESCRIPTION DU PRODUIT ET UTILISATION PRÉVUE	1
3 - INSTALLATION	2
3.1 - Contrôles à effectuer avant l'installation	2
3.2 - Limites d'emploi	2
3.3 - Travaux de préparation pour l'installation	2
3.4 - Installation de l'opérateur mod. WL1024C - WL1024	3
3.4.1 - Déterminer la longueur du bras de l'opérateur	3
3.4.2 - Installation de l'opérateur avec BRAS DE LONGUEUR STANDARD	3
3.4.3 - Installation de l'opérateur avec BRAS DE LONGUEUR RÉDUITE	4
3.5 - Installation de la lampe multifonctions mod. WLT sur l'opérateur modèle WL1024C	4
3.6 - Comment extraire la centrale de commande	5
3.7 - Réglage de l'alignement des vantaux en fermeture	5
3.8 - Débloquer et bloquer manuellement l'opérateur	5
4 - BRANCHEMENTS ÉLECTRIQUES	5
4.1 - Description des branchements électriques	5
4.2 - Branchement du câble d'alimentation	5
4.3 - Branchement de l'opérateur sans centrale mod. WL1024	5
4.4 - Branchement d'autres dispositifs	5
4.5 - Adressage des dispositifs branchés	6
4.6 - Premier allumage et contrôle des branchements	6
4.7 - Apprentissage des dispositifs branchés	6
4.8 - Apprentissage des positions des arrêts mécaniques	6
4.9 - Contrôle du mouvement des vantaux du portail	6
5 - ESSAI ET MISE EN SERVICE	6
5.1 - Essai	7
5.2 - Mise en service	7
6 - PROGRAMMATION DE LA CENTRALE DE COMMANDE	7
6.1 - Programmation premier niveau (ON-OFF)	7
6.2 - Programmation deuxième niveau (paramètres réglables)	8
6.3 - Effacement de la mémoire	8
6.4 - Fonctions spéciales	8
7 - QUE FAIRE SI... (guide de résolution des problèmes)	9
8 - APPROFONDISSEMENTS	10
8.1 - Branchement du récepteur radio OXI	10
8.2 - Branchement et installation de la batterie tampon mod. PS424	10
8.3 - Branchement du programmeur Oview	10
8.4 - Branchement du système à énergie solaire Solemyo	10
9 - MAINTENANCE DU PRODUIT	10
MISE AU REBUT DU PRODUIT	11
CARACTÉRISTIQUES TECHNIQUES DU PRODUIT	11
Durabilité du produit	12
DÉCLARATION CE DE CONFORMITÉ	12
APPENDICE	1
Instructions et recommandations destinées à l'utilisateur	V
Images	X

1 RECOMMANDATIONS ET PRÉCAUTIONS GÉNÉRALES

1.1 - Recommandations pour la sécurité

- **ATTENTION !** – Le présent manuel contient d'importantes instructions et recommandations en matière de sécurité. Une mauvaise installation peut causer de graves blessures. Avant de commencer le travail, lire attentivement toutes les parties du manuel. En cas de doutes, interrompre l'installation et demander des précisions au service après-vente Nice.
- **ATTENTION !** – Instructions importantes : **conserver ce manuel pour toute intervention de maintenance et de mise en rebut du produit.**
- **ATTENTION !** – Conformément à la plus récente législation européenne, la réalisation d'un vantail ou d'un portail automatique **doit respecter les normes prévues par la Directive 2006/42/CE (ex 98/37/CE) (Directive Machines)** et en particulier, les normes EN 12445; EN 12453; EN 12635 et EN 13241-1 qui permettent de déclarer la conformité de l'automatisation. **Pour cette raison, toutes les opérations d'installation, de branchement, d'essai et de maintenance du produit doivent être confiées exclusivement à un technicien qualifié et compétent !**

1.2 - Recommandations pour l'installation

- Avant de commencer l'installation, contrôler si le présent produit est adapté au type d'utilisation souhaitée (voir les "Limites d'emploi" paragraphe 3.2 et les "Caractéristiques techniques du produit"). En cas contraire, NE PAS procéder à l'installation.
- **Toutes les opérations d'installation et de maintenance doivent être effectuées avec l'automatisation débranchée.** Si le dispositif de déconnexion de l'alimentation n'est pas visible du lieu où est positionné l'automatisme, avant de commencer le travail accrocher sur le dispositif de déconnexion un panneau avec écrit "ATTENTION ! MAINTENANCE EN COURS".
- La centrale doit être branchée à une ligne d'alimentation électrique équipée de mise à la terre de sécurité.
- Durant l'installation manipuler avec soin le produit afin d'éviter tout écrasement, choc, chute ou contact avec des liquides de toute nature. Ne pas mettre le produit près de sources de chaleur, ni l'exposer à des flammes libres. Toutes ces actions peuvent l'endommager et créer des dysfonctionnements ou des situations de danger. Au cas où, interrompre immédiatement l'installation et s'adresser au service après-vente Nice.
- Aucune modification du produit ne peut être effectuée. Opérations non admises car celles-ci entraîneraient des dysfonctionnements. Le fabricant décline toute responsabilité pour dommages dérivant de modifications arbitraires du produit.
- Si le portail à automatiser est équipé d'un vantail pour piétons, préparer l'installation avec un système de contrôle qui désactive le fonctionnement du moteur lorsque le vantail pour piétons est ouvert.
- Le matériau de l'emballage du produit doit être éliminé conformément aux normes locales.

1.3 - Recommandations pour l'utilisation

- Le produit n'est pas destiné à être utilisé par des personnes (enfants compris) dont les capacités physiques, sensorielles ou mentales sont réduites ou manquant d'expérience ou de connaissance, à moins que celles-ci n'aient pu bénéficier, à travers l'intermédiation d'une personne responsable de leur sécurité, d'une surveillance ou d'instructions concernant l'utilisation du produit.
- Les enfants se trouvant à proximité de l'automatisation doivent être surveillés ; contrôler qu'ils ne jouent pas avec cette dernière.
- Ne pas laisser les enfants jouer avec les dispositifs de commande fixes. Garder les dispositifs de commande portables (à distance) hors de la portée des enfants.

2 DESCRIPTION DU PRODUIT ET UTILISATION PRÉVUE

Les dispositifs qui composent le présent produit sont destinés à l'automatisation d'un portail à un ou deux vantaux. **ATTENTION !** – Toute autre utilisation différente de celle décrite et dans des conditions environnementales différentes de celles reportées dans ce manuel doit être considéré comme impropre et interdite !

La partie principale de l'automatisme est composée d'un ou de deux opérateurs électromécaniques (suivant le nombre de vantaux à automatiser), équipés chacun d'un moteur en courant continu et d'un réducteur épicycloïdal. Un des opérateurs (mod. WL1024C) est équipé d'une centrale de commande qui en gère le fonctionnement. La centrale est formée d'une carte avec un récepteur radio incorporé, pour la réception des commandes envoyées par l'émetteur. La centrale est préparée pour être branchée à différents dispositifs appartenant au Système Opera, au système Bluebus et au système d'alimentation à énergie solaire Solemyo.

Si alimentée depuis réseau, elle peut accueillir une batterie tampon (mod. PS424, accessoire en option) qui en cas de coupure électrique (black-out élec-

trique) permet à l'automatisme d'effectuer, dans les heures qui suivent, quelques manœuvres.

En cas de coupure électrique, il est possible de déplacer les vantaux du portail en débloquent l'opérateur avec la clé prévue à cet effet ; pour effectuer la manœuvre manuelle voir chapitre 3.8.

Les autres accessoires disponibles sont les récepteurs prévus avec élément "SM" (SMXI, OXI, etc.).

Sur l'opérateur avec centrale (mod. WL1024C) il est possible d'installer la lampe multifonctions mod. WLT (voir chapitre 3.5), pouvant fonctionner comme lumière de signalisation clignotante ou comme lumière de courtoisie, selon la programmation de la centrale. Elle peut également être utilisée comme lumière crépusculaire en activant un capteur de lumière intégré ; pour les spécifications se référer au manuel des instructions.

3 INSTALLATION

3.1 - Contrôles à effectuer avant l'installation

Avant de procéder à l'installation, il est nécessaire de vérifier l'intégrité des composants du produit, l'adaptabilité du modèle choisi et la conformité de l'environnement destiné à l'installation :

- Contrôler que tout le matériel à utiliser soit intact et adapté à l'utilisation prévue.
- Contrôler que sur l'installation soient présents les arrêts mécaniques au sol (non fournis), aussi bien en fermeture qu'en ouverture.
- Contrôler que la structure mécanique du portail soit adaptée pour l'automatisation et conforme aux normes en vigueur sur le territoire (éventuellement se référer aux données reportées sur l'étiquette du portail). Le présent produit ne peut automatiser un portail que ci celui-ci est efficace et sûr ; en outre, il ne peut pas résoudre les défauts causés par une installation erronée du portail ou par une mauvaise maintenance.
- Contrôler que les conditions de fonctionnement des dispositifs soient compatibles avec les limites d'emploi déclarées (voir paragraphe 3.2).
- Bouger manuellement les vantaux du portail dans les deux sens et s'assurer que le mouvement se produise avec un frottement constant sur chaque point de la course (il ne doit pas y avoir de moments demandant un effort excessif ou moindre).
- Amener manuellement les vantaux du portail dans une quelconque position ; puis les laisser à l'arrêt et s'assurer qu'ils ne bougent pas.
- Contrôler que la zone de fixation de l'opérateur soit compatible avec l'encombrement de ce dernier (fig. 1).
- S'assurer qu'il y ait l'espace suffisant pour la rotation complète du bras sur le lieu d'installation de l'opérateur.
- S'assurer qu'il y ait l'espace suffisant pour effectuer la manœuvre manuelle de déblocage de l'opérateur près de celui-ci.
- S'assurer que les surfaces choisies pour installer les différents dispositifs soient solides et puissent garantir une fixation stable.
- S'assurer que chaque dispositif à installer soit placé dans une position protégée et à l'abri de chocs accidentels.
- Contrôler que tous les câbles électriques à utiliser correspondent au type énuméré dans le **Tableau 1**.

3.2 - Limites d'emploi

Avant d'effectuer l'installation de l'opérateur, contrôler que ses données rentrent dans les limites d'emploi reportées ci-dessous et dans les limites des valeurs reportées au chapitre "Caractéristiques techniques du produit" :

Avec le bras du moteur de longueur **ENTIÈRE** (d'usine) :

- **largeur maximale du vantail** : 1,80 m (= **pooids maximal du vantail** : 100 kg)
- **hauteur maximale du vantail** : 2 m

Avec le bras du moteur de longueur **RÉDUITE** (coupée par l'installateur) :

- **largeur maximale du vantail** : 1,60 m (= **pooids maximal du vantail** : 100 kg)
- **hauteur maximale du vantail** : 2 m

• Contrôle à effectuer : reporter sur le **Graphique 1**, le poids et la largeur du vantail ; tracer depuis ces points deux lignes et s'assurer que celles-ci se croisent dans une des deux **zones grises** du graphique. **Attention !** - Si les lignes se croisent dans la zone blanche, il n'est pas possible d'utiliser ce produit pour automatiser le portail.

• Afin de permettre l'installation de l'opérateur, la largeur minimale du pilier doit être de 80 mm.

• Le bras de l'opérateur doit être placé dans la **partie haute** du vantail du portail.

ATTENTION ! - Il est interdit de monter l'opérateur dans une position renversée, c'est-à-dire avec le bras orienté vers le bas.

• La patte de fixation du bras doit se trouver dans une zone robuste du vantail (par exemple, le cadre), pour garantir une fixation solide et sûre ;

• Contrôler la **cote "E"** (fig. 7) :

- Si la **cote "E"** est une valeur comprise entre 80 mm (minimum) et 299 mm (maximum), il faut raccourcir le bras de l'opérateur. Dans ces conditions, l'ouverture maximale du vantail peut arriver jusqu'à 90°.

- Si la **cote "E"** est une valeur égale ou supérieure à 300 mm, il ne faut pas raccourcir le bras de l'opérateur. Dans ces conditions, l'ouverture maximale du vantail peut arriver jusqu'à 110°.

3.3 - Travaux de préparation pour l'installation

La **fig. 2** reporte un exemple d'installation d'automatisation, réalisé avec des composants **Nice** (certains composants peuvent ne pas être présents dans le kit) :

- a** - Opérateur avec centrale mod. WL1024C
- b** - Opérateur sans centrale mod. WL1024
- c** - Lampe multifonctions mod. WLT (à installer sur l'opérateur avec centrale mod. WL1024C) ; voir chapitre 3.5 et manuel d'instructions
- d** - Paire de photocellules mod. MOFB
- e** - Clavier numérique (mod. MOTB) - Lecteur à transponder (mod. MOMB) - Sélecteur à clé (mod. MOSE)
- f** - Paire de colonnes pour photocellules
- g** - Arrêts mécaniques en Ouverture et en Fermeture
- h** - Serrure électrique

Ces composants sont positionnés selon un schéma typique. En se référant à la **fig. 2**, établir la position approximative dans laquelle installer chaque composant prévu sur l'installation. **Important** – Avant d'effectuer l'installation, préparer les câbles électriques nécessaires pour votre installation, en se référant à la **fig. 2a** et au "**Tableau 1 - Caractéristiques techniques des câbles électriques**".

Attention – Durant la pose des conduits pour le passage des câbles électriques, considérer qu'à cause de possibles dépôts d'eau présents dans les regards de dérivation, les conduits de raccordement peuvent créer des phénomènes de condensation à l'intérieur de la centrale et endommager les circuits électroniques.

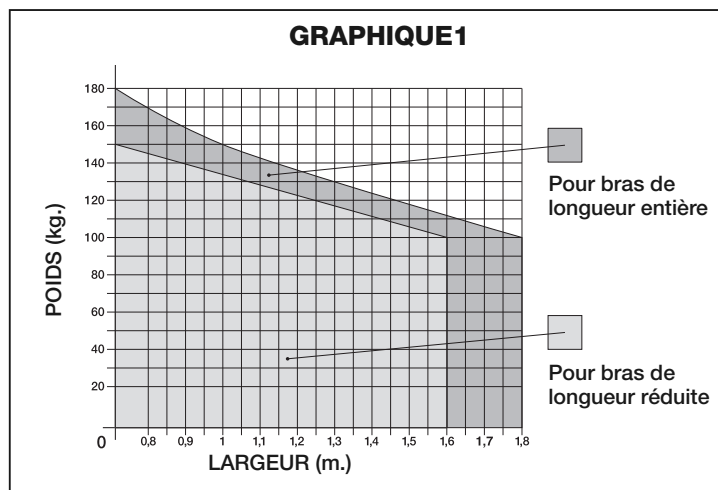


TABLEAU 1 - Caractéristiques techniques des câbles électriques

Branchement	Type de câble	Longueur maximale admise
A : Câble ALIMENTATION	1 câble 3 x 1,5 mm ²	30 m (note 1)
B : Câble SERRURE ÉLECTRIQUE	1 câble 2 x 1 mm ²	6 m
C : Câble DISPOSITIFS BLUEBUS	1 câble 2 x 0,5 mm ²	20 m (note 2)
D : Câble SÉLECTEUR À CLÉ	2 câbles 2 x 0,5 mm ² (note 3)	50 m
E : Câble ALIMENTATION OPÉRATEUR	1 câble 3 x 1,5 mm ²	6 m
Câble ANTENNE EXTERNE (option)	1 câble blindé type RG58	20 m (conseillé inférieur à 5 m)

Note 1 – Si le câble d'alimentation dépasse 30 m de longueur, il faut utiliser un câble avec une section supérieure (3 x 2,5 mm²) et il est nécessaire d'installer une mise à la terre de sécurité à proximité de l'automatisme.

Note 2 – Si le câble Bluebus dépasse 20 m de longueur, jusqu'à un maximum de 40 m, il faut utiliser un câble avec une section supérieure (2 x 1 mm²).

Note 3 – Ces 2 câbles peuvent être remplacés par un unique câble de 4 x 0,5 mm².

ATTENTION ! – Les câbles utilisés doivent être adaptés au type de lieu d'installation.

3.4 - Installation de l'opérateur mod. WL1024C - WL1024

RECOMMANDATIONS

- Une installation incorrecte peut causer de graves blessures aux personnes qui effectuent le travail et à celles qui utiliseront le produit.
- Avant de commencer l'assemblage de l'automatisation, effectuer les contrôles préliminaires décrits aux paragraphes 3.1 et 3.2.
- Le bras de l'opérateur peut être raccourci par rapport à la longueur standard fournie. Une longueur inférieure est nécessaire lorsqu'il y a, contre l'opérateur, un obstacle fixe (mur, poteau, etc.) qui empêche le mouvement complet du bras. Par conséquent, pour comprendre s'il faut raccourcir ou pas le bras, avant de commencer l'installation il faut effectuer la procédure 3.4.1.

Assembler les composants qui constituent le bras du moteur, en se référant à la fig. 3. Durant cette phase ne pas insérer la bague d'arrêt benzing (fig. 4). **IMPORTANT !** - Le bras courbe doit être positionné avec la courbe orientée vers le vantail du portail comme illustré sur la fig. 5.

3.4.1 - Déterminer la longueur du bras de l'opérateur

01. Établir la position de l'opérateur dans le sens VERTICAL :

tracer sur le pilier une ligne horizontale à la même hauteur que celle où se trouvera la patte de fixation du bras, après l'installation.

02. Établir la position de l'opérateur dans le sens HORIZONTAL :

a) **Établir l'ouverture maximale du vantail** : déterminer l'angle d'ouverture maximale (maximum 110°).

b) **Mesurer la cote B et déterminer la cote A** :

1 - Mesurer sur le pilier la **cote B** (fig. 5). C'est la distance entre l'axe de rotation du vantail et la surface du pilier où sera fixée la patte arrière de l'opérateur.

2 - Marquer sur le **Graphique 2A** la **cote B** à peine trouvée et tracer depuis ce point une ligne verticale, jusqu'à croiser la **zone** qui comprend la valeur de l'angle mesuré au point a.

3 - Aux points d'intersection entre la **ligne verticale et la zone**, tracer des lignes horizontales jusqu'à la colonne "A", pour déterminer les valeurs utilisables pour la **cote A**. Et choisir parmi celles-ci une valeur de A si possible minimale.

4 - Reporter sur le pilier la valeur de la **cote A** et tracer à cette hauteur une ligne verticale (fig. 6).

5 - Si il y a un mur ou un autre obstacle fixe près de la ligne verticale, mesurer la distance entre cette ligne et l'obstacle (fig. 7) : cette distance est la **cote E**.

ATTENTION !

• Si la **cote E** est une valeur comprise entre 80 mm (minimum) et 299 mm (maximum), continuer l'installation en effectuant la procédure 3.4.3 ci-dessous.

• Si la **cote E** est une valeur égale ou supérieure à 300 mm, continuer l'installation en effectuant la procédure 3.4.2 ci-dessous.

5 - Débloquer l'opérateur avec la clé prévue à cet effet (voir chap. 3.8).

3.4.2 - Installation de l'opérateur avec BRAS DE LONGUEUR STANDARD

Attention ! - Cette installation ne peut être effectuée qu'après avoir complété la procédure 3.4.1.

01. Fixer l'opérateur sur le pilier (fig. 8) :

a) Poser l'opérateur sur le pilier (*) en faisant coïncider sa ligne médiane verticale avec la ligne verticale tracée auparavant (cote A) et son bras avec la ligne horizontale tracée durant la procédure 3.4.1. Durant cette phase, s'assurer que l'opérateur soit parfaitement à niveau : un opérateur hors axe peut provoquer des dysfonctionnements à l'automatisme.

(*) **Remarque** - Si la surface du pilier a une largeur comprise entre 80 et 135 mm, avant de continuer l'installation il est nécessaire de tourner de 90° la patte de fixation de l'opérateur. Pour tourner la patte, se référer à la fig. 9.

b) Marquer les points de fixation, percer la surface du pilier et insérer les chevilles ; puis fixer l'opérateur en utilisant des vis et des rondelles adéquates.

02. Fixer le bras de l'opérateur sur le vantail (fig. 8) :

c) Amener le vantail du portail en position d'ouverture maximale ;

d) Pousser avec force le bras de l'opérateur **jusqu'à son extension maximale**. **Attention !** - S'assurer que le bras se bloque dans sa fin de course ;

e) Approcher le bras au vantail, en posant sur ce dernier la patte de fixation.

f) S'assurer que le bras de l'opérateur soit à niveau et marquer le **centre du profil des trous** de la patte, afin de permettre à l'avenir un réglage précis de la fermeture du vantail (voir le paragraphe 3.7).

g) En tenant d'une main la patte en contact avec le vantail, essayer d'effectuer une ouverture et une fermeture complète jusqu'aux butées mécaniques respectives. **Attention !** - Si durant l'essai le mouvement du bras est empêché par un mur ou autre objet fixe, interrompre la procédure et effectuer la procédure 3.4.3.

h) Percer le vantail aux points marqués et détacher la patte du bras et la fixer au vantail du portail avec des vis adéquates.

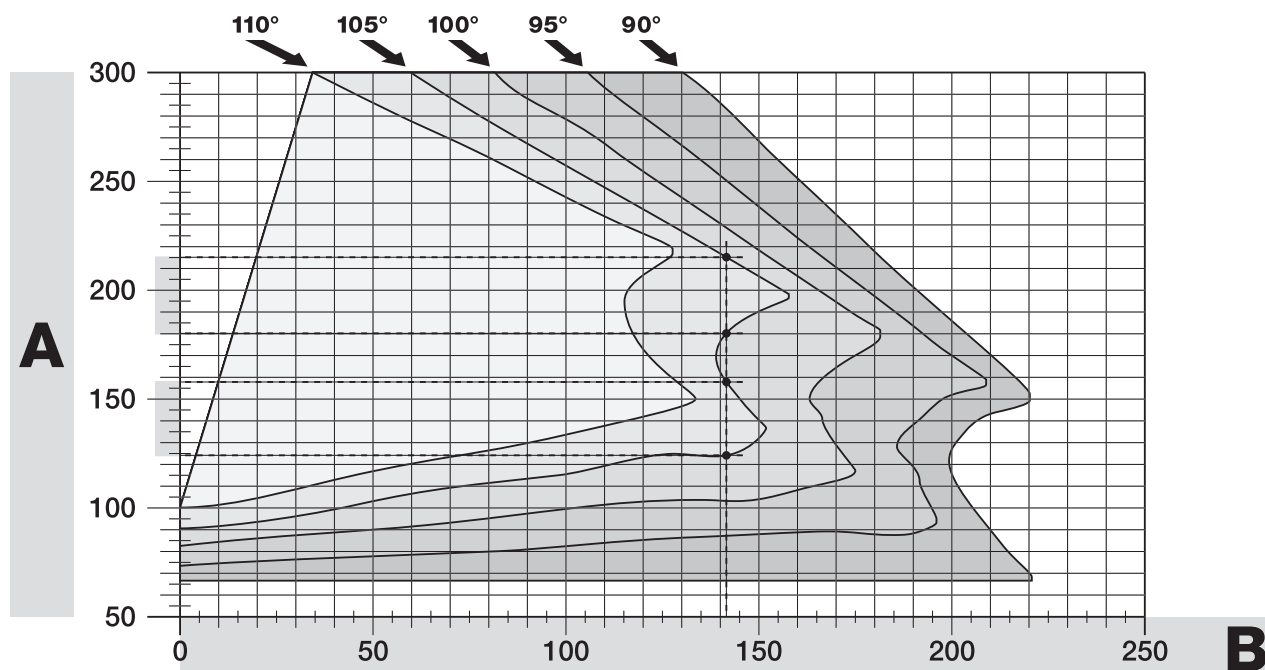
i) Fixer le bras à la patte, en insérant le pivot et la bague d'arrêt benzing. **Important** - Contrôler que la patte et le bras soient parfaitement à niveau. Si nécessaire, desserrer les vis de la patte et mettre à niveau. Cette vérification peut être aussi effectuée en mesurant la cote de 75 mm (voir fig. 8 phase 2).

l) Fixer au sol les butées de fin de course, de manière stable et définitive, dans la même position que celle établie au début de la procédure. **Attention !** - Vérifier que le vantail ferme parfaitement contre la butée de fin de course (non fournie).

m) Enfin amener manuellement le vantail du portail à environ mi-course et bloquer l'opérateur avec la clé prévue à cet effet (voir chap. 3.8). Puis, déplacer manuellement le vantail de quelques centimètres, en direction de l'ouverture.

03. Si le portail à automatiser est à deux vantaux, pour installer l'autre opérateur, répéter toutes les opérations décrites dans le chapitre 3.4.

GRAPHIQUE 2A



3.4.3 - Installation de l'opérateur avec BRAS DE LONGUEUR RÉDUITE

Attention ! - Cette installation ne peut être effectuée qu'après avoir complété la procédure 3.4.1.

01. Définir une nouvelle ouverture maximale du vantail (maximum 90°) : sans considérer l'ouverture maximale du vantail établie durant la procédure 3.4.1, amener le vantail sur une nouvelle position d'ouverture maximale, en s'assurant que l'angle ne dépasse pas 90°. Puis, bloquer le vantail dans cette position avec une butée au sol, **fixée de manière provisoire**.

02. Définir les cotes A - B - C :

- Mesurer sur le pilier la **cote B** (fig. 10). C'est la distance entre l'axe de rotation du vantail et la surface du pilier où sera fixée la patte arrière de l'opérateur.
- Marquer sur le **Graphique 2B** la **cote B** à peine trouvée et tracer depuis ce point une ligne verticale.
- Sur le pilier, établir la valeur de la **cote A** où fixer la patte arrière de l'opérateur (se référer à la fig. 11). **Important !** - Choisir une valeur de **A** si possible minimale, pour éloigner le moteur de l'obstacle.
- Marquer sur le **Graphique 2B** la **cote A** à peine trouvée et tracer depuis ce point une ligne horizontale, jusqu'à croiser la ligne verticale tracée auparavant. Le point de rencontre entre les deux lignes définit la **cote C**, c'est-à-dire la distance qui doit exister entre les deux pivots du bras avec perforations (fig. 12). *Exemple présent dans le graphique 2B : si la valeur de B est 105 mm et A est 143 mm, le point C est 182.*

03. Fixer l'opérateur sur le pilier (fig. 13) :

- Poser l'opérateur sur le pilier (*) en faisant coïncider sa ligne médiane verticale avec la ligne verticale tracée auparavant (cote A) et son bras avec la ligne horizontale tracée durant la procédure 3.4.1. Durant cette phase, s'assurer que l'opérateur soit parfaitement à niveau : un opérateur hors axe peut provoquer des dysfonctionnements à l'automatisation.
- (*) **Remarque** - Si la surface du pilier a une largeur comprise entre 80 et 135 mm, avant de continuer l'installation il est nécessaire de tourner de 90° la patte de fixation de l'opérateur. Pour tourner la patte, se référer à la fig. 8.
- Marquer les points de fixation, percer la surface du pilier et insérer les chevilles ; puis fixer l'opérateur en utilisant des vis et des rondelles adéquates.

04. Réduire la longueur du bras avec perforations (fig. 14) :

- Pour réduire la longueur du bras avec perforations à la **cote C** (celle trouvée au point 02-d), dévisser l'écrou, retirer la butée, écarter les pivots selon la cote C et, enfin, fermer l'écrou **de manière provisoire**.

05. Contrôler la cote C du bras avec perforations par rapport au contexte (fig. 15 - 16) :

- Amener le vantail du portail en position d'ouverture maximale ;
- Ouvrir complètement le bras de l'opérateur, au maximum de son angle d'ouverture (voir fig. 15, phase 1) ;
- Approcher le bras au vantail, en posant sur ce dernier la patte de fixation : **attention ! - pousser avec les mains le bras courbe contre le vantail, jusqu'au blocage du bras (ouverture maximale - voir fig. 15, phase 1a).**
- S'assurer que le bras de l'opérateur soit à niveau et marquer **le centre du profil des trous** de la patte, afin de permettre à l'avenir un réglage précis de la fermeture du vantail (voir le paragraphe 3.7).

e) Fixer provisoirement la patte sur le vantail et amener le vantail dans la position d'ouverture maximale contre la butée au sol.

f) Avec le vantail dans cette position, effectuer le contrôle indiqué sur la fig. 16 (tendre un fil passant au-dessus des deux pivots du bras avec perforations et arrivant au gond du vantail). **Attention !** - Si par rapport au gond le fil se trouve en position « BB » de la fig. 16, il faut **allonger** de quelques millimètres la **cote C**. Cette opération doit être répétée jusqu'à ce que le fil se trouve dans la position « AA » de la fig. 16 et jusqu'à ce que le bras ne heurte plus le mur ou un autre obstacle fixe.

06. Couper le bras avec perforations (fig. 17) :

Après avoir vérifié le fonctionnement correct de l'articulation, couper le bras avec perforations de la façon suivante.

- Tracer une ligne sur le bras avec perforations, dans l'exacte position indiquée à la fig. 17, phase 1. Démontez ensuite le bras par rapport à la patte et coupez la partie superflue du bras.
- Assembler de nouveau les composants du bras (fig. 3).

07. Fixer le bras de l'opérateur sur le vantail (fig. 18) :

- Percer le vantail au niveau des points marqués précédemment.
- Détacher la patte du bras et la fixer au vantail du portail avec des vis adéquates.
- Fixer le bras à la patte, en insérant le pivot et la bague d'arrêt benzing. **Important** - Contrôler que la patte et le bras soient parfaitement à niveau. Si nécessaire, desserrer les vis de la patte et mettre à niveau. Cette vérification peut être aussi effectuée en mesurant la cote de 75 mm (voir fig. 8 phase 2).
- Fixer au sol les butées de fin de course, de manière stable et définitive, dans la même position que celle établie au début de la procédure.

Attention ! - Vérifier que le vantail ferme parfaitement contre la butée de fin de course. Pour un réglage précis de la fermeture, se référer au paragraphe 3.7.

e) Enfin, amener manuellement le vantail du portail à environ mi-course et bloquer l'opérateur avec la clé prévue à cet effet (voir chap. 3.8) Puis, déplacer manuellement le vantail de quelques centimètres, dans le sens de l'ouverture.

08. Si le portail à automatiser est à deux vantaux, pour installer l'autre opérateur, répéter toutes les opérations décrites dans le chapitre 3.4.

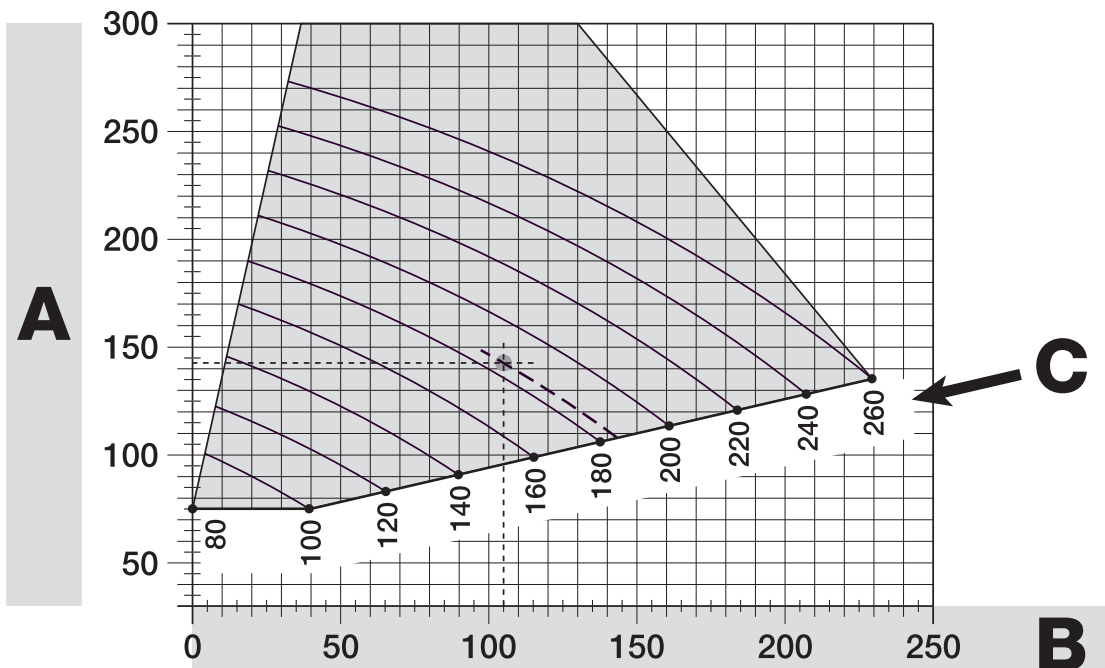
3.5 - Installation de la lampe multifonctions mod. WLT sur l'opérateur modèle WL1024C

Recommandation - WLT peut fonctionner comme lumière de signalisation clignotante ou comme lumière de courtoisie, selon la centrale de commande à laquelle celle-ci est branchée.

Suivre les phases d'installation illustrées à la fig. 21, en respectant la séquence et les recommandations suivantes :

- **pour la phase 4** - Tourner l'alimentateur dans le sens de la flèche, en faisant attention aux câbles qui le raccordent à l'opérateur.
- **pour la phase 7** - Étendre bien les câbles et insérer le connecteur dans la sortie FLASH comme indiqué ; bloquer les câbles en les insérant dans le serre-câble.
- **pour la phase 11** - Positionner la carte électronique sur le pivot de la base, selon l'utilisation souhaitée : **A** = lumière diffuse ; **B** = lumière à faisceau direc-

GRAPHIQUE 2B



tionnel (dans ce cas le faisceau lumineux peut être orienté en encastrant la carte dans un des trous prévus sur la base).

• **pour la phase 12** – Étendre bien les câbles, couper la partie en plus et positionner les câbles de manière à ce qu'ils ne projettent pas d'ombres sur les leds et sur le capteur de lumière présent au dos de la carte électronique.

• **pour la phase 13** – Faire coïncider entre elles la flèche présente sur le couvercle et celle présente sur la base. S'assurer que les 4 dents présentes sur la base s'encastrant dans les rainures internes du couvercle.

Remarque – Si la lampe multifonctions WLT n'est pas installée dans la partie supérieure de l'opérateur "Walky", elle doit être branchée à la borne ELS comme décrit au paragraphe 4.1- "Description des branchements électriques".

3.6 - Comment extraire la centrale de commande

01. Retirer le couvercle inférieur de l'opérateur (fig. 19, phase 1-2) ;

02. Dévisser les 4 vis du support passe-câble et le retirer (fig. 24, phase 1-2) ;

03. Tirer la centrale dans le sens de la flèche sur environ 4 centimètres et débrancher le connecteur du moteur (fig. 24, phase 3-4) ;

04. Enfin, extraire complètement la centrale.

Attention ! - Lorsque le moteur est de nouveau branché à la centrale, respecter la polarité du connecteur (celui-ci ne peut être inséré que dans un sens !).

3.7 - Réglage de l'alignement des vantaux en fermeture

01. Retirer le bras avec perforations de la patte de fixation sur le vantail ;

02. Desserrer les vis de la patte et déplacer celle-ci de quelques millimètres, en direction de l'opérateur ;

03. Remettre le bras avec perforations dans la patte, fermer le vantail et s'assurer que celui-ci soit aligné avec l'autre vantail et en contact avec la butée de fin de course. **Attention !** - Si nécessaire, répéter le point 02 jusqu'à obtenir un alignement optimal ;

04. Percer le vantail, à hauteur du trou présent au centre de la patte de fixation et mettre une vis. Puis bloquer définitivement la patte en serrant les trois vis ;

05. Enfin, fixer le bras avec perforations à la patte, en insérant le pivot et la bague d'arrêt benzing.

3.8 - Débloquent et bloquer manuellement l'opérateur

L'opérateur est muni d'un système de déblocage mécanique qui permet d'ouvrir et de fermer manuellement le portail.

Ces opérations manuelles doivent être effectuées en cas de coupure de courant électrique ou d'anomalies de fonctionnement ou durant les phases d'installation.

Débloquent (fig. 22-A) :

01. Soulever le volet ;

02. Insérer la clé dans le pivot de déblocage prévu à cet effet ;

03. Tourner la clé dans le sens des aiguilles d'une montre, en effectuant un tour complet.

04. Il est maintenant possible de déplacer le vantail du portail dans la position souhaitée.

Bloquer (fig. 22-B) :

01. Tourner dans le sens contraire des aiguilles d'une montre la clé présente sur le pivot de déblocage et déplacer manuellement le vantail jusqu'à entendre le bruit mécanique d'accrochage du vantail au mécanisme de traction.

02. Retirer la clé du pivot et remettre en position le volet.

4 BRANCHEMENTS ÉLECTRIQUES

Le branchement électrique des différents dispositifs (photocellules, claviers numériques, lecteurs de cartes à transponder, etc.) présents sur l'automatisation avec la centrale de commande s'effectue moyennant le système "Bluebus" de Nice. Ce système permet d'effectuer les branchements électriques avec l'utilisation de seulement 2 connecteurs sur lesquels transite aussi bien l'alimentation électrique que les signaux de communication. Le branchement électrique à utiliser est de type parallèle et ne nécessite pas de respecter les polarités. Durant la phase d'apprentissage, chaque dispositif branché à la centrale sera reconnu individuellement par celle-ci, grâce à un code univoque. À chaque fois que sera rajouté ou éliminé un dispositif, il sera nécessaire d'effectuer l'apprentissage de la part de la centrale (voir paragraphe 4.7).

4.1 - Description des branchements électriques (fig. 23)

M1	sortie pour opérateur 1
ELS	sortie pour serrure électrique de 12 Vac (maximum 15 VA). La sortie ELS peut être programmée avec d'autres fonctions (par exemple, clignotant, lumière de courtoisie, etc) moyennant le programmeur Oview (voir chapitre 8.3).
BLUEBUS	entrée pour dispositifs compatibles (MOFB, MOFOB, MOB, MOTB etc.). Le branchement des dispositifs est du type parallèle par 2 conducteurs sur lesquels passe aussi bien l'alimentation électrique que le signal de communication ; en effectuant le branchement, il n'est pas nécessaire de respecter les polarités. Chaque dispositif est

reconnu individuellement par la Centrale grâce à une adresse univoque qui est assignée pendant l'installation (voir paragraphe 4.7)

STOP entrée pour des dispositifs qui avec leur intervention provoquent l'arrêt immédiat de la manœuvre en cours, suivi d'une brève inversion ; possibilité de brancher des contacts de type NO, NF ou des dispositifs avec sortie à résistance constante 8,2 k Ω (bords sensibles). Chaque dispositif branché à cette entrée est reconnu individuellement par la centrale durant la phase d'apprentissage (paragraphe 4.7) ; après cette phase, si la centrale relève une variation quelconque par rapport à l'état appris, cela provoque un ARRÊT. Il est possible de brancher à cette entrée un ou plusieurs dispositifs différents entre eux :

- brancher en parallèle plusieurs dispositifs NO, sans limites de quantité ;
- brancher en série plusieurs dispositifs NC, sans limites de quantité ;
- brancher en parallèle 2 dispositifs avec sortie à résistance constante 8,2 k Ω . Si les dispositifs sont plus de 2, il est nécessaire de les raccorder en cascade avec 1 seule résistance terminale de 8,2 k Ω ;
- brancher en parallèle 2 dispositifs NO et NF, en mettant en série au contact NF une résistance de 8,2 k Ω (ceci rend également possible la combinaison entre 3 dispositifs NO - NF et 8,2 k Ω)

P.P. entrée pour dispositifs de commande qui intervenant provoquent la manœuvre avec modalité Pas à Pas ; possibilité de brancher les contacts de type NO

ANTENNE entrée pour l'antenne d'un récepteur radio

4.2 - Branchement du câble d'alimentation

RECOMMANDATION: sur la ligne électrique d'alimentation, il est nécessaire de prévoir un dispositif assurant la déconnexion complète de l'automatisation du réseau. Le dispositif de déconnexion doit avoir les contacts avec une distance d'ouverture permettant la déconnexion complète, dans les conditions prévues par la catégorie de surtension III et conformément aux règles d'installation. Si nécessaire, ce dispositif garantit une déconnexion rapide et sûre de l'alimentation ; il doit par conséquent être positionné en vue de l'automatisation. Si par contre il est placé dans une position non visible, il doit avoir un système qui bloque une éventuelle reconnexion accidentelle ou non autorisée de l'alimentation, afin d'éviter tout danger. Le dispositif de déconnexion n'est pas fourni avec le produit.

ATTENTION !

– Les opérations de branchements doivent exclusivement être confiées à un personnel qualifié.

– Tous les branchements électriques doivent être effectués après avoir coupé l'alimentation électrique de réseau et avec la batterie tampon débranchée, si présente sur l'automatisation.

01. Accéder à l'alimentateur : dévisser les 3 vis présentes sur le couvercle supérieur de l'opérateur et tourner lentement le couvercle dans la direction de la flèche (fig. 24), en faisant attention aux câbles sous-jacents.

02. Brancher les câbles de phase et neutre au bornier de l'alimentateur, en respectant les indications présentes sur l'étiquette ; bloquer l'œillet du câble de terre avec la vis (fig. 25) : **attention!** - orienter la cosse de câble vers l'embouchure d'ou sort le câble d'alimentation ;

03. Tirer sur le câble d'alimentation vers la centrale, de manière à ce que sa longueur soit à peine suffisante pour faire tourner l'alimentateur et refermer le couvercle ;

04. Refermer le couvercle de l'alimentateur ; serrer les vis du serre-câble ; insérer la centrale de commande dans son logement ; remonter le support passe-câble.

Attention ! - Fermer le couvercle de l'alimentateur avec toutes les vis et s'assurer que le joint soit bien positionné dans son logement. L'absence d'une vis ou du joint peut compromettre les circuits internes.

4.3 - Branchement de l'opérateur sans centrale mod. WL1024

01. Retirer le couvercle inférieur de l'opérateur sans centrale comme montré à la fig. 19, phase 1-2) ;

02. Dévisser à l'aide d'un tournevis à étoile les 4 vis du support passe-câble (fig. 20) et le retirer (**attention !** - ne pas perdre les 2 entretoises).

03. Desserrer les deux vis du serre-câble (fig. 20, phase 6) et passer le câble de branchement ; brancher les 3 câbles au bornier en respectant les symboles présents sur l'étiquette ; enfin, serrer les vis du serre-câble.

04. À l'aide d'une clé à six pans, régler les 2 pieds à l'intérieur de l'opérateur, jusqu'à les faire poser complètement sur le pilier (fig. 20, phase 7).

05. Insérer dans les trous du support passe-câble (fig. 20, phase 8) ; remettre en position les 2 entretoises ; remonter le support passe-câbles (fig. 20, phase 9) et remettre le couvercle inférieur de l'opérateur (fig. 20, phase 10).

4.4 - Branchement d'autres dispositifs

Au cas où il faudrait alimenter d'autres dispositifs prévus sur l'installation, par exemple un lecteur de cartes à transponder ou l'éclairage pour le sélecteur à clé, il est possible de brancher ces dispositifs à la centrale de commande sur les bornes "P.P. (positif)" et "STOP (négatif)" (fig. 23). La tension d'alimentation va de 18 à 31 Vdc avec fonctionnement avec tension de réseau ou solemyo et de environ 11 à 14 Vdc avec fonctionnement avec batterie tampon PS424. Le courant maximal disponible est de 200 mA.

Note – La tension disponible sur les bornes "P.P." et "STOP" reste présente même l'orsquest activée la fonction "Stand By" sur la carte.

4.5 - Adressage des photocellules et d'autres dispositifs BlueBus

Afin de permettre à la centrale de reconnaître les photocellules branchées au bornier Bluebus, il est nécessaire d'effectuer leur adressage : positionner correctement la connexion volante électrique présente sur chaque dispositif, comme montré à la fig. 31.

Pour effectuer l'adressage d'autres dispositifs, consulter les manuels d'instructions relatifs.

4.6 - Premier allumage et contrôle des branchements

Après avoir transmis l'alimentation électrique à la centrale, effectuer les contrôles suivants :

- une fois écoulées quelques secondes, contrôler que la Led "Bluebus" (fig. 26) clignote régulièrement avec une fréquence d'un clignotement par seconde ;
- contrôler que les Leds des photocellules, soit TX soit RX, clignotent. Le type de clignotement émis, durant cette phase, n'est pas significatif ;
- contrôler que la lampe multifonctions WLT (configurée avec fonction clignotante) branchée à la sortie FLASH présente sur l'alimentateur soit éteinte.

En cas contraire, couper l'alimentation électrique de la centrale et contrôler les différents branchements précédemment effectués.

4.7 - Apprentissage des dispositifs branchés

Après avoir effectué le premier allumage, faire reconnaître à la centrale les dispositifs branchés aux entrées "Bluebus" et "Stop".

ATTENTION ! - La phase d'apprentissage doit être effectuée même si la centrale n'est branchée à aucun dispositif.

La centrale est en mesure de reconnaître individuellement les différents dispositifs branchés grâce à la procédure d'apprentissage et même de relever très précisément les possibles anomalies présentes. Pour cela, effectuer l'apprentissage des dispositifs toutes les fois qu'un de ceux-ci est branché ou est retiré.

Les Leds "L1" et "L2" présentes sur la centrale (fig. 26) clignotent lentement pour indiquer qu'il faut effectuer l'apprentissage :

01. Appuyer et maintenir enfoncées simultanément les touches "◀" et "Set" (fig. 26).
02. Relâcher les touches lorsque les leds "L1" et "L2" commencent à clignoter rapidement (après environ 3 secondes).
03. Attendre quelques secondes pour que la centrale complète la phase d'apprentissage des dispositifs.
04. À la fin de cette phase la Led "Stop" doit être allumée et les Leds "L1" et "L2" doivent s'éteindre (les Leds "L3" et "L4" pourraient commencer à clignoter).

4.8 - Apprentissage des positions des arrêts mécaniques

Après l'apprentissage des dispositifs (paragraphe 4.7), effectuer l'apprentissage de la part de la centrale des positions des arrêts mécaniques (Ouverture maximale et Fermeture maximale) ;

Durant cette phase est relevé l'angle d'ouverture des vantaux de l'arrêt mécanique de fermeture jusqu'à l'arrêt mécanique d'ouverture. **La présence d'arrêts mécaniques fixes et suffisamment robustes est indispensable.**

01. Repérer dans le **Tableau 2** la figure qui correspond à votre installation, configurer sur la centrale les connexions volantes électriques, **JA** et **JB**, dans la même position que celle prévue par la figure.
02. Débloquer les opérateurs avec les clés prévues à cet effet (voir chapitre 3.8) et amener les vantaux à mi-course de manière à ce qu'ils soient libres de bouger en ouverture et en fermeture ; bloquer ensuite les opérateurs.
03. Sur la centrale, appuyer et maintenir enfoncées simultanément les touches "Set" et "▶";
04. Lorsque les leds "L3" et "L4" commencent à clignoter rapidement (après environ 3 sec.), relâcher les touches ;
05. Contrôler que l'automatisme effectue les séquences de manœuvres suivantes :
 - a - Fermeture lente de l'opérateur M1 jusqu'à l'arrêt mécanique
 - b - Fermeture lente de l'opérateur M2 jusqu'à l'arrêt mécanique
 - c - Fermeture lente de l'opérateur M2 et de l'opérateur M1 jusqu'à l'arrêt mécanique
 - d - Fermeture rapide complète des opérateurs M1 et M2
 - Si la première manœuvre d'un ou des deux vantaux n'est pas une fermeture, appuyer sur une touche quelconque pour arrêter la phase d'apprentissage et contrôler la position des connexions volantes électriques **JA** et **JB** en se référant au Tableau 2 ; ou contrôler les polarités du moteur sans centrale (mod. WL1024).
 - Si le premier moteur à déplacer en fermeture n'est pas M1, appuyer sur une touche quelconque pour arrêter la phase d'apprentissage et contrôler la position des connexions volantes électriques **JA** et **JB**, en se référant au Tableau 2.
 - Si durant la phase d'apprentissage il y a intervention d'un dispositif (photocellules, sélecteur à clé, pression des touches, etc.), la phase d'apprentissage sera immédiatement arrêtée. Il faudra donc la répéter du début jusqu'à la fin.
06. À la fin de la manœuvre de fermeture des 2 moteurs (d), les leds "L3" et "L4" s'éteignent pour indiquer que la procédure a été effectuée correctement.

TABLEAU 2

	JA JB
	JA JB
	JA JB
	JA JB
	JA JB
	JA JB
	JA JB
	JA JB

4.9 - Contrôle du mouvement des vantaux du portail

À la fin de la phase d'apprentissage et des positions des arrêts mécaniques, il est conseillé de faire effectuer à la centrale certaines manœuvres d'ouverture et fermeture, de manière à vérifier le correct mouvement du portail, les éventuels défauts de montage et de réglage ou d'autres anomalies :

01. Appuyer sur la touche **Open** (fig. 26) et contrôler que durant la manœuvre d'Ouverture soit présente la phase d'accélération, la phase à vitesse constante, la phase de ralentissement et que les vantaux se ferment contre la fin de course mécanique d'ouverture.
02. Appuyer sur la touche **Close** (fig. 26) et contrôler que durant la manœuvre de Fermeture soit présente la phase d'accélération, la phase à vitesse constante, la phase de ralentissement et que les vantaux se ferment contre la fin de course mécanique de fermeture.
03. Contrôler, durant les manœuvres, que le clignotant effectue quelques clignotements avec un intervalle de 0,5 seconde avec clignotant allumé et de 0,5 secondes avec clignotant éteint.

5 ESSAI ET MISE EN SERVICE

Celles-ci sont les phases les plus importantes de la réalisation de l'automatisation, afin de garantir la sécurité maximale de l'installation. L'essai peut également être utilisé pour vérifier périodiquement les dispositifs qui composent l'automatisation. Les phases d'essai et de mise en service de l'automatisation doivent être effectuées par un personnel qualifié et expert qui devra établir les essais nécessaires pour vérifier les solutions adoptées par rapport aux risques présents et contrôler le respect de ce qui est prévu par les lois, normes et règlements : en particulier, de toutes les caractéristiques requises par la norme EN 12445 qui établit les méthodes d'essai pour le contrôle des automatismes pour portails.

Les dispositifs supplémentaires doivent être soumis à un essai spécifique, aussi bien pour ce qui concerne la fonctionnalité que pour ce qui concerne leur correcte interaction avec WALKY. ; se référer aux manuels d'instructions de chaque dispositif.

5.1 - Essai

La séquence d'opérations à effectuer pour l'essai se réfère à une installation typique (fig. 2) :

- 1 Débloquer manuellement les opérateurs et contrôler que en agissant sur le vantail, au point prévu pour la manœuvre manuelle, il soit possible de déplacer les vantaux en ouverture et en fermeture avec une force inférieure à 390 N.
- 2 Contrôler que le vantail, laissé à l'arrêt dans une position de sa course, ne se déplace.
- 3 Bloquer les opérateurs (voir chapitre 3.8).
- 4 **ATTENTION !** – Contrôler que les branchements à vis soient bien vissés.
- 5 En utilisant les dispositifs de commande (émetteur, bouton de commande, sélecteur à clé, etc.), effectuer des essais d'Ouverture, Fermeture et Arrêt du portail, en veillant à ce que le mouvement des vantaux corresponde à ce qui est prévu. Il convient d'effectuer différents essais afin d'évaluer le mouvement des vantaux et de contrôler d'éventuels défauts de montage, de réglage ou la présence de points de frottement particuliers.
- 6 Contrôler un à un le correct fonctionnement de tous les dispositifs de sécurité présents sur l'installation (photocellules, bords sensibles, etc.). Lorsqu'un dispositif intervient, la led "BLUEBUS", présente sur la centrale, émet 2 clignotements plus rapides pour confirmer la reconnaissance.
- 7 Si les situations dangereuses provoquées par le mouvement des vantaux ont été prévenues moyennant la limitation de la force d'impact, mesurer la force selon ce qui est prévu par la norme EN 12445 et éventuellement si le contrôle de la "force opérateur" est utilisé comme aide au système pour la réduction de la force d'impact, essayer et enfin trouver le réglage fournissant les meilleurs résultats.
- 8 Fixer de manière permanente, dans une zone adjacente de l'automatisation, une étiquette qui décrit comment débloquer manuellement l'opérateur.

5.2 - Mise en service

La mise en service ne peut avoir lieu qu'après avoir effectué de manière positive toutes les phases d'essai.

- 1 Préparer le dossier technique de l'automatisation, celui-ci devra comprendre les documents suivants : un dessin général de l'automatisation, le schéma des branchements électriques effectués, l'analyse des risques présents et les relatives solutions adoptées, la déclaration de conformité du fabricant de tous les dispositifs utilisés et la déclaration de conformité remplie par l'installateur.
- 2 Accrocher sur le portail une plaquette contenant au moins les données suivantes : type d'automatisation, nom et adresse du fabricant (responsable de la "mise en service"), numéro de fabrication, année de fabrication et marque "CE".
- 3 Remplir et fournir au propriétaire de l'automatisation la déclaration de conformité de l'automatisation.
- 4 Remplir et fournir au propriétaire de l'automatisation le "Manuel d'utilisation" de l'automatisation.
- 5 Remplir et fournir au propriétaire de l'automatisation le "Plan de maintenance" qui comprend les prescriptions concernant la maintenance de tous les dispositifs de l'automatisation.
- 6 Avant de mettre en service l'automatisation, informer de manière adéquate le propriétaire sur les dangers et les risques résiduels encore présents.
Pour toute la documentation citée, Nice à travers son propre service d'assistance technique met à disposition : manuels d'instructions, guides et fiches pré-remplies. Voir aussi sur : www.nice-service.com

6 PROGRAMMATION DE LA CENTRALE DE COMMANDE

Sur la centrale sont présentes 3 touches **OPEN** (◀), **STOP (SET)**, **CLOSE** (▶) qui peuvent être utilisées aussi bien pour commander la centrale durant les phases d'essai que pour la programmation des fonctions disponibles. Les fonctions programmables disponibles sont disposées sur 2 niveaux et leur état de fonctionnement est signalé par les 4 leds (**L1** ... **L4**) présentes sur la centrale (led allumée = fonction active ; led éteinte = fonction non active).

Utiliser les touches de programmation (fig. 26) :

OPEN (◀) : – touche pour commander l'Ouverture du portail ; – touche de sélection en phase de programmation.

STOP/SET : touche pour confirmer une manœuvre ; si enfoncée pendant plus de 5 secondes, elle permet d'entrer en phase de programmation.

CLOSE (▶) : – touche pour commander la Fermeture du portail ; – touche de sélection en phase de programmation.

6.1 - Programmation premier niveau (ON-OFF)

Toutes les fonctions du premier niveau sont programmées en usine sur "OFF" et peuvent être modifiées à tout moment. Pour contrôler les différentes fonctions voir Tableau 5. Pour la procédure de programmation voir Tableau 6.


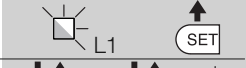



Note – Ces procédures peuvent être de nouveau effectuées à tout moment, même après avoir branché un nouveau dispositif à la centrale.

IMPORTANT – La procédure de programmation présente un temps maximal de 10 secondes entre chaque pression de touche. Une fois ce temps écoulé, la procédure s'arrête automatiquement en mémorisant les modifications faites jusqu'à ce moment.

TABLEAU 5 - Fonctions de premier niveau

LED	Fonction	Description
L1	Fermeture automatique	Fonction ACTIVE : après une manœuvre d'ouverture, une pause est effectuée (égale au Temps de pause programmée). Après celle-ci, la centrale effectue automatiquement une manœuvre de fermeture. La valeur du Temps de pause configurée en usine est égale à 30 sec. Fonction NON ACTIVE : le fonctionnement est de type "semi-automatique".
L2	Refermer après photo	Fonction ACTIVE : si durant la manœuvre d'ouverture ou de fermeture interviennent les photocellules, le temps de pause se réduit à 5 sec. indépendamment du "temps de pause" programmé. Avec la "fermeture automatique" désactivée, si durant la Fermeture interviennent les photocellules, la "fermeture automatique" avec le "temps de pause" programmé s'active.
L3	Fermer toujours	Fonction ACTIVE : en cas de panne d'électricité, même si brève, lors du rétablissement du courant électrique, la centrale relève le portail ouvert et automatiquement effectue une manœuvre de Fermeture, précédée de 5 sec. de pré-clignotement. Fonction NON ACTIVE : lorsque le courant électrique revient, le portail reste là où il est.
L4	Stand by (Bluebus)	Fonction ACTIVE : 1 minute après la fin de la manœuvre, la centrale éteint la sortie "Bluebus" (dispositifs branchés) et toutes les leds, sauf la led Bluebus qui clignotera plus lentement. Lorsque la centrale reçoit une commande, celle-ci rétablit le fonctionnement normal (avec un bref retard). Cette fonction a pour but de réduire les consommations ; aspect important avec alimentation à batteries ou panneaux photovoltaïques.

TABLEAU 6 - Procédure de programmation premier niveau

01. Appuyer et maintenir enfoncée la touche "Set" pendant environ 3 secondes ;	
02. Relâcher la touche lorsque la led "L1" commence à clignoter ;	
03. Appuyer sur la touche "◀" ou "▶" pour passer de la led clignotante à la led qui représente la fonction à modifier ;	
04. Appuyer sur la touche "Set" pour changer l'état de la fonction : (clignotement bref = OFF - clignotement long = ON) ;	
05. Attendre 10 secondes (temps maximal) pour sortie de la programmation.	

Note – Pour programmer d'autres fonctions sur "ON" ou "OFF", durant l'exécution de la procédure, répéter les points 03 et 04 durant la phase.


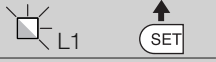


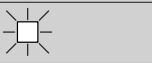



6.2 - Programmation deuxième niveau (paramètres réglables)

Tous les paramètres du deuxième niveau sont programmés en usine et mis en évidence en **gris** dans le Tableau 8 et peuvent être modifiés à tout moment, en procédant comme décrit dans le Tableau 7.

Les paramètres sont réglables sur une échelle de valeurs de 1 à 4 ; pour con-

trôler la valeur correspondant à chaque Led voir **Tableau 8**. **IMPORTANT** – La procédure de programmation présente un temps maximal de 10 secondes entre chaque pression de touche. Une fois ce temps écoulé, la procédure s'arrête automatiquement en mémorisant les modifications faites jusqu'à ce moment.

TABLEAU 7 - Procédure de programmation deuxième niveau

01. Appuyer et maintenir enfoncée la touche "Set" pendant environ 3 secondes ;	
02. Relâcher la touche lorsque la led "L1" commence à clignoter ;	
03. Appuyer sur la touche "◀" ou "▶" pour passer de la led clignotante à la led qui représente la "led d'entrée" du paramètre à modifier ;	
04. Appuyer et maintenir enfoncée la touche "Set" jusqu'à la conclusion du point 06 ;	
05. Attendre environ 3 secondes, jusqu'à ce que s'allume la led qui représente le niveau actuel du paramètre à modifier ;	
06. Appuyer sur la touche "◀" ou "▶" pour changer la led qui représente la valeur du paramètre ;	
07. Relâcher la touche "Set" ;	
08. Attendre 10 secondes (temps maximal) pour sortie de la programmation.	

Note – Pour programmer plusieurs paramètres, durant l'exécution de la procédure, répéter les opérations du point 03 au point 07 durant la phase.

TABLEAU 8 - Fonctions de deuxième niveau

Led de entrée	Paramètre	Led (niveau)	Valeur	Description
L1	Temps Pause	L1	5 secondes	Règle le temps de pause avant la fermeture automatique. N'a effet que si la Fermeture est active.
		L2	30 secondes	
		L3	60 secondes	
		L4	120 secondes	
L2	Fonction Pas à Pas	L1	Ouverture – stop – fermeture – stop	Règle la séquence des commandes associées à l'entrée "Pas à Pas" ou à la commande radio. Note – En configurant L4, le comportement des commandes "Ouverture" et "Fermeture" est également modifié.
		L2	Ouverture – stop – fermeture – ouverture	
		L3	Ouverture – fermeture – ouverture – fermeture	
		L4	Habitation collective : • lors de la manœuvre d'ouverture la commande "Pas à Pas" et "Ouverture" ne provoquent aucun effet ; par contre, la commande "Fermeture" provoque l'inversion du mouvement, c'est-à-dire la fermeture des vantaux. • lors de la manœuvre de fermeture la commande "Pas à Pas" et "Ouverture" provoquent l'inversion du mouvement, c'est-à-dire l'ouverture des vantaux ; par contre, la commande "Fermeture" ne provoque aucun effet.	
L3	Vitesse des moteurs	L1	Lente	Règle la vitesse des moteurs durant la course normale.
		L2	Moyenne	
		L3	Rapide	
		L4	Très rapide	
L4	Force moteurs	L1	Niveau 1 - Force minimale	Règle la force des deux moteurs.
		L2	Niveau 2 - ...	
		L3	Niveau 3 - ...	
		L4	Niveau 4 - Force maximale	

6.3 - Effacement de la mémoire

Pour effacer la mémoire de la centrale et rétablir toutes les configurations faites en usine, procéder de la manière suivante : appuyer et maintenir enfoncées les touches "◀" et "▶" jusqu'à ce que les leds L1 et L2 commencent à clignoter.

6.4 - Fonctions spéciales

Fonction : "Déplacer quand même"

Cette fonction permet de faire fonctionner l'automatisation même lorsque le dispositif de sécurité ne fonctionne pas correctement ou est hors service. Il est possible de commander l'automatisation en modalité "homme présent", en procédant de la manière suivante :

- Envoyer une commande pour actionner le portail, avec un émetteur ou un sélecteur à clé, etc. Si tout fonctionne correctement, le portail se déplacera régulièrement, sinon procéder comme suit :
- Dans les 3 secondes, actionner de nouveau la commande et la maintenir actionnée ;

03. Après environ 2 secondes, le portail effectuera la manœuvre requise en modalité "homme présent" ; le portail ne continuera donc à se déplacer que lorsque la commande est maintenue actionnée.

Lorsque les dispositifs de sécurité ne fonctionnent pas, le clignotant émet quelques clignotements pour signaler le type de problème (voir chapitre 7 - Tableau 10).

7 QUE FAIRE SI... (guide de résolution des problèmes)

Certains dispositifs sont prédéfinis pour émettre des signalisations grâce auxquelles il est possible de reconnaître l'état de fonctionnement ou les éventuelles anomalies. Si à la sortie FLASH présente sur l'alimentateur est branchée la lampe multifonctions WLT, configurée avec fonction clignotante, celle-ci durant l'exécution d'une manœuvre clignote avec un intervalle d'1 seconde. Si se vérifient des anomalies, le clignotant émet des clignotements plus brefs ; ceux-ci sont ré-

pétés deux fois avec une pause d'1 seconde. Dans le **Tableau 10** sont décrites la cause et la solution pour chaque type de signalisation.

Les Leds présentes sur la centrale émettent également des signalisations ; dans le **Tableau 11** sont décrites la cause et la solution pour chaque type de signalisation.

TABLEAU 10 - Signalisations du clignotant (FLASH)

Clignotements	Problème	Résolution
1 clignotement bref pause de 1 seconde 1 clignotement bref	Erreur sur le système Bluebus	Le contrôle des dispositifs branchés au système Bluebus, qui est effectué au début de la manœuvre, ne correspond pas aux dispositifs mémorisés durant la phase d'apprentissage. Il est possible que certains dispositifs soient débranchés ou en panne, il faut donc contrôler et remplacer. Si des modifications ont été apportées, refaire l'apprentissage des dispositifs (voir paragraphe 4.7).
2 clignotements brefs pause de 1 seconde 2 clignotements brefs	Intervention d'une photocellule	Une ou plusieurs photocellules ne permettent pas le mouvement ou durant la course ont provoqué une inversion du mouvement ; contrôler si sont présents des obstacles.
3 clignotements brefs pause de 1 seconde 3 clignotements brefs	Intervention de la fonction "Détection d'Obstacles" depuis limiteur de force	Durant le mouvement les moteurs ont dû faire un effort supérieur ; vérifier la cause et éventuellement augmenter le niveau de force des moteurs
4 clignotements brefs pause de 1 seconde 4 clignotements brefs	Intervention de l'entrée de STOP	Au début de la manœuvre ou durant le mouvement, il y a intervention des dispositifs branchés à l'entrée STOP ; en vérifier la cause.
5 clignotements brefs pause de 1 seconde 5 clignotements brefs	Erreur au niveau des paramètres internes de la centrale de commande	Attendre au moins 30 secondes, réessayer de transmettre une commande et éventuellement éteindre aussi l'alimentation ; si l'état reste, il pourrait y avoir une panne grave et il faut remplacer la carte électronique.
6 clignotements brefs pause de 1 seconde 6 clignotements brefs	La limite maximale de manœuvres consécutives ou de manœuvres par heure a été dépassée	Attendre quelques minutes de manière à ce que le limiteur de manœuvres retourne sous la limite maximale.
7 clignotements brefs pause de 1 seconde 7 clignotements brefs	Anomalie sur les circuits électriques	Attendre au moins 30 secondes, réessayer de transmettre une commande et éventuellement éteindre aussi l'alimentation ; si l'état reste, il pourrait y avoir une panne grave et il faut remplacer la carte électronique.
8 clignotements brefs pause de 1 seconde 8 clignotements brefs	Une commande qui ne permet pas d'effectuer d'autres commandes est déjà présente	Contrôler la nature de la commande toujours présente ; par exemple il pourrait s'agir de la commande d'une horloge sur l'entrée de "PAS À PAS".
9 clignotements brefs pause de 1 seconde 9 clignotements brefs	L'automatisation a été bloquée par une commande "Bloquer l'automatisation".	Débloquer l'automatisation en envoyant la commande "Débloquer l'automatisation".

TABLEAU 11 - Signalisations des Leds présentes sur la centrale de commande (fig. 23)

Led	Problème	Résolution
BLUEBUS Toujours éteint	Anomalie	Contrôler si la centrale est alimentée ; contrôler si les fusibles ne sont pas intervenus. Dans ce cas contrôler la cause de la panne et les remplacer avec d'autres de la même valeur
Toujours allumé	Anomalie grave	Est présent un problème grave : essayer de débrancher la centrale et si l'état persiste, remplacer la carte électronique
1 clignotement par seconde	Tout est normal	Fonctionnement régulier de la centrale
2 clignotements rapides	Variation de l'état des entrées	Il est régulier si a lieu une variation sur une des entrées (PP, STOP) : intervention des photocellules ou bien est transmise une commande avec un émetteur
Série de clignotements divisés par une pause de 1 seconde	Divers	Se référer au Tableau 10
STOP Toujours éteint	Intervention des dispositifs branchés à l'entrée STOP	Contrôler les dispositifs de l'entrée STOP
Toujours allumé	Tout est normal	Entrée STOP active
P.P. Toujours éteint	Tout est normal	Entrée P.P. non active
Toujours allumé	Intervention de l'entrée P.P.	Il est régulier si est actif le dispositif branché à l'entrée P.P.
L1 - L2 Clignotement lent	Variation du nombre de dispositifs branchés au Bluebus ou apprentissage du dispositif non effectué	Il est nécessaire d'effectuer l'apprentissage des dispositifs (voir paragraphe 4.7)
L3 - L4 Clignotement lent	L'apprentissage des positions des arrêts mécaniques n'a jamais été effectué.	Il est nécessaire d'effectuer l'apprentissage (voir paragraphe 4.8).

8 APPROFONDISSEMENTS

Pour WALKY sont prévus les accessoires suivants (récepteur radio) : le programmeur Oview, le système à énergie solaire Solemyo et la batterie tampon mod. PS424.

8.1 - Branchement du récepteur radio OXI

Pour brancher le récepteur OXI, couper l'alimentation électrique de la centrale et procéder comme illustré à la fig. 27. Dans les Tableaux 12 et 13 sont reportées les commandes qui correspondent aux sorties présentes sur la centrale.

Tableau 12

SMXI / SMXIS ou OXI / OXIFM / OXIT / OXITFM en mode I ou mode II

Sortie N°1	Commande "P.P." (Pas à Pas)
Sortie N°2	Commande "Ouverture partielle 1"
Sortie N°3	Commande "Ouverture"
Sortie N°4	Commande "Fermeture"

Tableau 13

OXI / OXIFM / OXIT / OXITFM en mode II étendu

N°	Commande	Description
1	Pas à pas	Commande "P.P." (Pas à Pas)
2	Ouverture Partielle 1	Commande "Ouverture partielle 1"
3	Ouverture	Commande "Ouverture"
4	Fermeture	Commande "Fermeture"
5	Stop	Arrêt de la manœuvre
6	Pas à Pas Habitation collective	Commande en modalité Habitation collective
7	Pas à Pas haute priorité	Commande aussi avec automatisation bloquée ou commandes actives
8	Ouverture partielle 2	Ouverture partielle (ouverture du vantail M2, égale à la moitié de l'ouverture totale)
9	Ouverture partielle 3	Ouverture partielle (ouverture des deux vantaux, égale à la moitié de l'ouverture totale)
10	Ouverture et Blocage automatisation	Provoque une manœuvre d'ouverture et à la fin de celle-ci le blocage de l'automatisation ; la centrale n'accepte aucune autre commande sauf celle de "Pas à pas haute priorité", "Déblocage" automatisation ou (uniquement depuis Oview) les commandes : "Déblocage et fermeture" et "Déblocage et ouverture".
11	Fermeture et Blocage automatisation	Provoque une manœuvre de fermeture et à la fin de celle-ci le blocage de l'automatisation ; la centrale n'accepte aucune autre commande sauf celle de "Pas à pas haute priorité", "Déblocage" automatisation ou (uniquement depuis Oview) les commandes : "Déblocage et fermeture" et "Déblocage et ouverture".
12	Blocage automatisation	Provoque un arrêt de la manœuvre et le blocage de l'automatisation ; la centrale n'accepte aucune autre commande sauf celle de "Pas à pas haute priorité", "Déblocage" automatisation ou (uniquement depuis Oview) les commandes : "Déblocage et fermeture" et "Déblocage et ouverture".
13	Déblocage automatisation	Provoque le déblocage de l'automatisation et le rétablissement du fonctionnement normal
14	On Timer Lumière de Courtoisie	La sortie Lumière de courtoisie avec extinction temporisée s'allume
15	On-Off Lumière de Courtoisie	La sortie Lumière de courtoisie en modalité On - Off s'allume et s'éteint

8.2 - Branchement et installation de la batterie tampon mod. PS424

ATTENTION ! - Le branchement électrique de la batterie à la centrale ne doit être effectué qu'après avoir conclu toutes les phases d'installation et de programmation, car la batterie représente une alimentation électrique d'urgence.

Pour installer et brancher la batterie, suivre les phases de montage illustrées à la fig. 28.

8.3 - Branchement du programmeur Oview

Sur la centrale est présent le connecteur BusT4 auquel il est possible de brancher l'unité de programmation Oview, qui permet une gestion complète et rapide de la phase d'installation, de maintenance et de diagnostic de toute l'automatisation. Pour accéder au connecteur, il est nécessaire de procéder comme illustré à la fig. 29 et de brancher le connecteur dans le logement prévu à cet effet. L'Oview peut être branché à plusieurs Centrales simultanément (jusqu'à 5 sans précautions particulières, jusqu'à 60 en suivant les recommandations) et peut rester branché à la centrale durant le fonctionnement normal de l'automatisation. Dans ce cas, il peut être utilisé pour envoyer directement les commandes à la centrale en utilisant le menu "utilisateur" spécifique. Il est également possible d'effectuer la mise à jour du Firmware. Si sur la centrale est pré-

sent un récepteur radio appartenant à la famille OXI, en utilisant l'Oview il est possible d'avoir accès aux paramètres des émetteurs mémorisés dans le récepteur.

Pour tous les approfondissements, consulter le respectif manuel d'instructions et le manuel du système "Opera system book".

8.4 - Branchement du système à énergie solaire Solemyo

ATTENTION ! - Lorsque l'automatisation est alimentée par le système "Solemyo", elle NE DOIT ÊTRE ALIMENTÉE simultanément par le réseau électrique.

Pour toute autre information concernant le système Solemyo, se référer au manuel d'instructions.

Pour préparer le branchement du système Solemyo, suivre les phases de montage illustrées à la fig. 30.

Pour compléter le branchement entre Solemyo et la centrale de l'opérateur, utiliser le câble adaptateur prévu à cet effet.

9 MAINTENANCE DU PRODUIT

Pour maintenir constant le niveau de sécurité et pour garantir la durée maximale de toute l'automatisation, une maintenance régulière est nécessaire.

La maintenance doit être effectuée dans le respect total des prescriptions sur la sécurité du présent manuel et conformément à ce qui est prévu par les lois et normes en vigueur.

Contrôler fréquemment sur le produit qu'il n'y ait pas de déséquilibres des vantaux ou de signes d'usure, ou de dommages aux câbles. Ne pas utiliser le produit au cas où des réparations ou des réglages seraient nécessaires.

Important - Durant les phases de maintenance ou d'entretien du produit, débrancher la centrale de l'alimentation électrique et des batteries si elles sont prévues.

Pour les autres dispositifs présents sur l'installation, suivre ce qui est prévu dans les respectifs plans de maintenance.

Pour les opérateurs WL1024C, WL1024 est nécessaire une maintenance programmée au maximum dans les 6 mois ou 20.000 manœuvres qui suivent la précédente maintenance.

Pour effectuer la maintenance, procéder de la façon suivante :

01. Débrancher toute source d'alimentation électrique, éventuelles batteries tampon comprises ;
02. Contrôler l'état de détérioration des pattes et des chevilles de fixation avec une attention particulière pour les phénomènes d'érosion ou d'oxydation des parties ; remplacer les parties qui ne fournissent pas de garanties suffisantes ;
03. Effectuer un essai de déblocage pour vérifier son fonctionnement correct, voir paragraphe 3.8 ;
04. Rebrancher les sources d'alimentation électrique et effectuer tous les essais et les contrôles prévus au chapitre 5.1 - Essai.

MISE AU REBUT DU PRODUIT

Ce produit est partie intégrante de l'automatisation et doit donc être éliminé avec celle-ci.

Comme pour les opérations d'installation, même à la fin de la vie de ce produit, les opérations de démantèlement doivent être effectuées par un personnel qualifié.

Ce produit est composé de différents types de matériaux : certains peuvent être recyclés, d'autres doivent être éliminés. S'informer sur les systèmes de recyclage ou de mise au rebut prévus par les règlements en vigueur sur le territoire, pour cette catégorie de produit.

Attention ! – Certaines parties du produit peuvent contenir des substances polluantes ou dangereuses qui, si dispersées dans l'environnement, pourraient provoquer des effets nocifs sur l'environnement et sur la santé humaine.

Comme indiqué par le symbole ci-contre, il est interdit de jeter ce produit dans les déchets domestiques. Effectuer une "collecte séparée" pour la mise au rebut, selon les méthodes prévues par les règlements en vigueur sur le territoire, ou amener le produit au vendeur au moment de l'achat d'un nouveau produit équivalent.



Attention ! – les règlements en vigueur au niveau local peuvent prévoir de lourdes sanctions en cas de mise au rebut abusif de ce produit.

Mise au rebut de la batterie tampon (si présente)

Attention ! – La batterie déchargée contient des substances polluantes et ne doit pas être jetée dans les déchets communs.

Il faut l'éliminer en utilisant les méthodes de collecte séparée, prévues par les normes en vigueur dans le territoire.

CARACTÉRISTIQUES TECHNIQUES DU PRODUIT

RECOMMANDATIONS : • Toutes les caractéristiques techniques reportées se réfèrent à une température ambiante de 20°C (± 5°C). • Nice S.p.a. se réserve le droit d'apporter des modifications au produit, à tout moment et si considérées nécessaires, tout en maintenant les mêmes fonctionnalités et l'utilisation pour laquelle celui-ci est prévu.

Typologie : Opérateur électromécanique pour automatismes de portails automatiques avec moteur en courant continu, réducteur épicycloïdal, déblocage mécanique. **Uniquement pour modèle WL1024C :** centrale de commande incorporée et récepteur radio OXI

Couple maximal : 100 Nm

Couple nominal : 50 Nm

Vitesse à vide : 0,20 rad/s - 0,3 rad/s

Vitesse au couple nominal : 0,16 rad/s - 0,24 rad/s

Fréquence maximale des cycles : 100 cycles complets par jour (la centrale de WL1024C limite à un maximum d'environ 50)

Temps maximal du cycle continu : 10 minutes environ

Limites d'emploi : le produit peut être utilisé sur des portails ayant un poids allant jusqu'à 180 kg (vantaux de 0,8 m) ou une longueur du vantail allant jusqu'à 1,8 m et un angle d'ouverture allant jusqu'à 110°

Alimentation : WL1024C: 230 Vac (+10% -15%) 50/60 Hz; WL1024: 24 Vdc (50%); WL1024C/V1: 120 Vac (+10% -15%) 50/60 Hz

Alimentation d'urgence : Préparation pour batterie tampon PS424

Alimentation à panneaux solaires : préparation pour Kit SOLEMYO

Puissance nominale absorbée au réseau électrique (WL1024C): 120 W

Courant nominal absorbé (WL1024) : 2 A ; au démarrage le courant est de 3 A pour un temps maximal de 2 s

Puissance absorbée au réseau électrique avec fonction "Standby – Tout (1)" active (récepteur OXI compris) : 3 W

Puissance absorbée avec fonctionnement à batterie tampon ou KIT SOLEMYO avec fonction "Standby-Tout (1)" active (y compris le récepteur OXI) : inférieure à 100 mW

Sortie serrure électrique [*] : une serrure électrique de 12 Vac max 15 VA

Sortie clignotante [*] : un clignotant WLT ou une lampe 12Vdc, 21 W max

Sortie BLUEBUS : une sortie avec chargement maximal de 15 unités Bluebus (maximum 6 paires de photocellules MOFB ou MOFOB plus 2 paires de photocellules MOFB ou MOFOB adressées comme dispositifs d'ouverture, plus un maximum de 4 dispositifs de commande MOMB ou MOTB)

Entrée STOP : pour contacts normalement fermés, normalement ouverts ou à résistance constante 8,2 kΩ ; la sélection du type de contact a lieu en auto-apprentissage et une variation par rapport à l'état mémorisé provoque la commande "STOP"

Entrée PP : pour contacts normalement ouverts (la fermeture du contact provoque la commande Pas à Pas)

Élément radio : connecteur SM pour récepteurs de la famille SMXI, OXI et OXIFM

Entrée ANTENNE Radio : 50 Ω pour câble type RG58 ou analogues

Fonctions programmables : 4 fonctions de type ON-OFF (Tableau 5) et 4 fonctions réglables (Tableau 8)

Fonctions en auto-apprentissage : • Auto-apprentissage des dispositifs branchés à la sortie BlueBus. • Auto-apprentissage du type de dispositif branché à la borne "STOP" (contact NO, NF ou résistance 8,2 kΩ). • Auto-apprentissage de la course des vantaux et calcul en automatique des points de ralentissement et ouverture partielle. • Auto-apprentissage du fonctionnement avec un ou deux moteurs

Montage : En verticale, avec une plaque de fixation dédiée

Température de fonctionnement : de -20°C à +50°C (aux basses températures le rendement de l'opérateur diminue)

Utilisation avec une atmosphère particulièrement acide ou saline ou potentiellement explosive : NON

Degré de protection : IP 44 (avec boîtier intact)

Dimensions (mm) : 90 x 125 x 385 h

Poids (kg) : (WL1024C) 4,8; (WL1024) 4,3

Remarques :

(1) - Fonction activable avec programmeur Oview.

[*] - Les sorties des bornes sur la centrale ("Serrure électrique") et sur l'alimentateur ("Flash") peuvent être reprogrammées avec d'autres fonctions, en utilisant le programmeur Oview. Les caractéristiques électriques de ces deux sorties s'adaptent en fonction du type de fonction choisie :

• fonction "serrure électrique" : 12Vac, 15VA max ;

• fonction "clignotant" : une lampe multifonctions WLT, ou une lampe à 12Vdc, 21W max ;

• autres types de fonction : une lampe ou un relais à 24Vdc (-30% et +30%), 4 W max, si le fonctionnement de la centrale est avec tension de réseau, ou une lampe ou un relais à 12Vdc (-10% e +25%), 4 W max, si le fonctionnement de la centrale est avec batterie tampon PS424.

Durabilité du produit

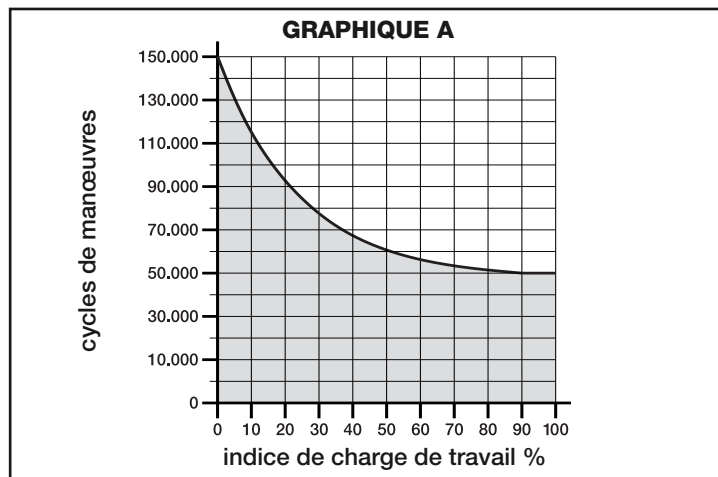
La durabilité est la vie économique moyenne du produit. La valeur de la durabilité est fortement influencée par l'indice de charge de travail des manœuvres effectuées par l'automatisme : c'est-à-dire la somme de tous les facteurs qui contribuent à l'usure du produit (voir Tableau 14).

Pour établir la durabilité probable de l'automatisme, procéder de la façon suivante :

01. Calculer l'indice de charge de travail en additionnant entre eux les valeurs en pourcentage des points présents dans le **Tableau 14** ;

02. Dans le **Graphique A** de la valeur à peine trouvée, tracer une ligne verticale jusqu'à croiser la courbe ; depuis ce point tracer une ligne horizontale jusqu'à croiser la ligne des "cycles de manœuvres". La valeur déterminée est la **durabilité estimée** du produit.

L'estime de durabilité est effectuée sur la base des calculs conceptuels et des résultats d'essais effectués sur les prototypes. En effet, étant une estime, elle ne représente aucune garantie sur l'effective durée du produit.



Exemple du calcul de durabilité d'un opérateur Walky avec bras entier (se référer au Tableau 14 et au Graphique A) :- poids du vantail : 100 Kg ; - longueur du vantail = 1,7 m (indice de charge de travail : 55%) ; - autres éléments de frottement non présents ; Indice de charge de travail total = 55%
Durabilité estimée = 55.000 cycles de manœuvres

TABLEAU 14

Longueur du vantail	Poids du vantail	Indice de charge de travail	
		BRAS DE LONGUEUR STANDARD	BRAS DE LONGUEUR RÉDUITE
< 1,2 m	> 100 kg	55%	65%
	< 100 kg	30%	50%
1,2 - 1,6 m	> 80 kg	55%	65%
	< 80 kg	40%	50%
> 1,6 m	> 60 kg	55%	-
	< 60 kg	40%	-
Température ambiante supérieure à 40°C ou inférieure à 0°C ou humidité supérieure à 80%		15%	15%
Vantail plein		15%	10%
Installation dans une zone ventilée		15%	10%

DÉCLARATION CE DE CONFORMITÉ

Remarque - Le contenu de cette déclaration correspond à ce qui est déclaré dans la dernière révision disponible, avant l'impression de ce manuel, du document officiel déposé auprès du siège de Nice Spa. Le présent texte a été réadapté pour des raisons éditoriales.

Numéro : 322/WL..

Révision : 0

Le soussigné Luigi Paro en tant qu'Administrateur Délégué déclare sous sa propre responsabilité que le produit :

Nom du producteur :

NICE s.p.a.

Adresse :

Via Pezza Alta 13, Z.I. Rustigné, 31046 Oderzo (TV) Italie

Type :

Opérateur électromécanique

Modèles :

WL1024C, WL1024

Accessoires :

OXI, OVBT, OVBTGSM, SYKCE, PS424

Est conforme à ce qui est prévu par les directives communautaires suivantes :

- 98/37/CE (89/392/CEE modifiée) DIRECTIVE 98/37/CE DU PARLEMENT EUROPÉEN ET DU CONSEIL du 22 juin 1998 concernant le rapprochement des législations des États membres relatives aux machines.

Comme prévu par la directive 98/37/CE, la mise en service du produit susmentionné n'est pas permise tant que la machine, dans laquelle le produit est incorporé, n'a pas été identifiée et déclarée conforme à la directive 98/37/CE.

Et le produit est également conforme à ce qui est prévu par les suivantes directives communautaires, tout comme celles modifiées par la Directive 93/68/CEE du conseil du 22 Juillet 1993 :

- 2006/95/CEE(ex directive 73/23/CE) DIRECTIVE 2006/95/CE DU PARLEMENT EUROPÉEN ET DU CONSEIL du 12 décembre 2006 concernant le rapprochement des législations des états membres relatives au matériel électrique destiné à être employé dans certaines limites de tension.

Selon les normes harmonisées suivantes :

EN 60335-1:1994+A11:1995+A12:1996+A13:1998+A14:1998+A15:2000+A2:2000+A16:2001

- 2004/108/CEE(ex directive 89/336/CEE) DIRECTIVE 2004/108/CE DU PARLEMENT EUROPÉEN ET DU CONSEIL du 15 décembre 2004 relative au rapprochement des législations des États membres concernant la compatibilité électromagnétique et abrogeant la directive 89/336/CEE

Selon les normes harmonisées suivantes : EN 61000-6-2:2005; EN 61000-6-3:2007

Il est en outre conforme ; de manière limitée pour les parties applicables aux normes suivantes :

EN 60335-1:2002+A1:2004+A11:2004+A12:2006+ A2:2006, EN 60335-2-103:2003, EN 13241-1:2003; EN 12453:2002; EN 12445:2002; EN 12978:2003

Oderzo, 29 mai 2009

Luigi Paro (Administrateur Délégué)

Índice

1 - ADVERTENCIAS Y PRECAUCIONES GENERALES	1
1.1 - Advertencias de seguridad	1
1.2 - Advertencias de instalación	1
1.3 - Advertencias de uso	1
2 - DESCRIPCIÓN DEL PRODUCTO Y USO PREVISTO	1
3 - INSTALACIÓN	2
3.1 - Comprobaciones previas a la instalación	2
3.2 - Límites de uso	2
3.3 - Operaciones de preinstalación	2
3.4 - Instalación del motorreductor mod. WL1024C - WL1024	3
3.4.1 - Determinar la longitud del brazo del motorreductor	3
3.4.2 - Instalación del motorreductor con BRAZO DE LONGITUD ESTÁNDAR	3
3.4.3 - Instalación del motorreductor con BRAZO DE LONGITUD REDUCIDA	4
3.5 - Instalación de la lámpara multifunción mod. WLT en el motorreductor modelo WL1024C	4
3.6 - Cómo extraer la central de mando	5
3.7 - Regulación del alineamiento de las hojas durante el cierre	5
3.8 - Desbloqueo y bloqueo manual del motorreductor	5
4 - CONEXIONES ELÉCTRICAS	5
4.1 - Descripción de las conexiones eléctricas	5
4.2 - Conexión del cable de alimentación	5
4.3 - Conexión del motorreductor sin central mod. WL1024	5
4.4 - Conexión de otros dispositivos	5
4.5 - Direccionamiento de los dispositivos conectados	6
4.6 - Primer encendido y comprobación de las conexiones	6
4.7 - Aprendizaje de los dispositivos conectados	6
4.8 - Aprendizaje de las posiciones de los topes mecánicos	6
4.9 - Comprobación del movimiento de las hojas de la puerta	6
5 - ENSAYO Y PUESTA EN SERVICIO	6
5.1 - Ensayo	7
5.2 - Puesta en servicio	7
6 - PROGRAMACIÓN DE LA CENTRAL DE MANDO	7
6.1 - Programación de primer nivel (ON-OFF)	7
6.2 - Programación de segundo nivel (parámetros regulables)	8
6.3 - Borrado de la memoria	8
6.4 - Funciones especiales	8
7 - QUÉ HACER SI... (guía de resolución de problemas)	9
8 - INFORMACIÓN DETALLADA	10
8.1 - Conexión del radioreceptor OXI	10
8.2 - Conexión e instalación de la batería compensadora mod. PS424	10
8.3 - Conexión del programador Oview	10
8.4 - Conexión del sistema de energía solar Solemyo	10
9 - MANTENIMIENTO DEL PRODUCTO	10
ELIMINACIÓN DEL PRODUCTO	11
CARACTERÍSTICAS TÉCNICAS DEL PRODUCTO	11
Durabilidad del producto	12
DECLARACIÓN CE DE CONFORMIDAD	12
APÉNDICE	I
Instrucciones y advertencias destinadas al usuario	VI
Imágenes	X

1 ADVERTENCIAS Y PRECAUCIONES GENERALES

1.1 - Advertencias de seguridad

- **¡ATENCIÓN!** – Este manual contiene importantes instrucciones y advertencias acerca de la seguridad. Una instalación incorrecta puede causar graves lesiones. Antes de iniciar los trabajos, es necesario leer detenidamente todas las partes del manual. En caso de dudas, interrumpa la instalación y solicite información al Servicio de Asistencia Nice.
- **¡ATENCIÓN!** – Instrucciones importantes: conserve este manual para posibles intervenciones de mantenimiento y eliminación del producto.
- **¡ATENCIÓN!** – Según la más reciente legislación europea, la ejecución de un portón o puerta automática debe cumplir las normas previstas por la Directiva 2006/42/CE (ex 98/37/CE) (Directiva de Máquinas) y, en concreto, las normas EN 12445; EN 12453; EN 12635 y EN 13241-1, que permiten declarar la conformidad del automatismo. **Considerando lo anterior, todas las operaciones de instalación, conexión, ensayo y mantenimiento del producto deberán ser realizadas únicamente por un técnico cualificado y competente.**

1.2 - Advertencias de instalación

- Antes de comenzar la instalación, compruebe si el producto es apto para el tipo de uso deseado (véanse los "Límites de uso" en el párrafo 3.2 y las "Características técnicas del producto"). Si no es apto, NO continúe con la instalación.
- **Todas las operaciones de instalación y mantenimiento deben efectuarse con el automatismo desconectado de la alimentación eléctrica.** Si el dispositivo de desconexión de la alimentación no resulta visible desde el lugar en el que está situado el automatismo, antes de comenzar los trabajos es necesario fijar al dispositivo de desconexión un cartel con el mensaje "¡ATENCIÓN! MANTENIMIENTO EN CURSO".
- La central debe ser conectada a una línea de alimentación eléctrica dotada de puesta a tierra de seguridad.
- Durante la instalación, maneje con cuidado el producto, evitando aplastamientos, golpes, caídas o el contacto con líquidos de cualquier tipo. No coloque el producto cerca de fuentes de calor ni lo exponga a llamas libres. Todas estas acciones pueden dañarlo y provocar funcionamientos defectuosos o situaciones de peligro. Si ocurriese esto, interrumpa inmediatamente la instalación y acuda al Servicio de Asistencia Nice.
- No efectúe modificaciones en ninguna parte del producto. Las operaciones no permitidas no pueden causar más que funcionamientos defectuosos. El fabricante declina toda responsabilidad por daños derivados de modificaciones arbitrarias del producto.
- Si la puerta o portón que se desea automatizar incluye una puerta peatonal, es necesario preparar la instalación con un sistema de control que deshabilite el funcionamiento del motor cuando la puerta peatonal esté abierta.
- El material del embalaje del producto debe eliminarse cumpliendo plenamente la normativa local.

1.3 - Advertencias de uso

- El producto no está destinado a su uso por parte de personas (niños incluidos) cuyas capacidades físicas, sensoriales o mentales se hallen disminuidas, o que carezcan de la experiencia o conocimientos necesarios, a no ser que una persona responsable de su seguridad les proporcione supervisión o instrucciones acerca del uso del producto.
- Es necesario mantener vigilados a los niños que se encuentren cerca de la automatismo; asegúrese de que no jueguen con él.
- No permita que los niños jueguen con los dispositivos de mando fijos. Mantenga los dispositivos de mando portátiles (remotos) fuera del alcance de los niños.

2 DESCRIPCIÓN DEL PRODUCTO Y USO PREVISTO

Los dispositivos que componen este producto están destinados a la automatización de una puerta o portón de una o dos hojas. **¡ATENCIÓN!** - **Cualquier uso distinto del descrito y en condiciones ambientales diferentes de las descritas en este manual se considerará impropio y queda prohibido.**

La parte principal del automatismo consta de uno o dos motorreductores electromecánicos (dependiendo del número de hojas que se vaya a automatizar), cada uno de ellos dotado de un motor de corriente continua y un reductor planetario. Uno de los motorreductores (mod. WL1024C) incluye una central de mando que gestiona su funcionamiento. La central se compone de una tarjeta con radioreceptor, para la recepción de mandos enviados desde el transmisor. La central está preparada para su conexión a diversos dispositivos pertenecientes al Sistema Opera, al sistema Bluebus y al sistema de alimentación por energía solar Solemyo.

Si se alimenta mediante la red eléctrica, puede alojar una batería compensadora (mod. PS424, accesorio opcional), que en caso de interrupción de la energía eléctrica (apagón eléctrico) permite que el automatismo efectúe algunas maniobras durante las horas que siguen.

En caso de interrupción de la energía eléctrica, es posible mover las hojas de la puerta desbloqueando el motorreductor con la llave correspondiente; para efectuar la maniobra manual, véase el capítulo 3.8.

Otros accesorios disponibles son los receptores preparados con conexión "SM" (SMXI, OXI, etc.).

En el motorreductor con central (mod. WL1024C) se puede instalar la lámpara multifunción mod. WLT (véase el capítulo 3.5), que puede funcionar como luz de señalización intermitente o como luz de cortesía, según la programación de la central. Además se puede utilizar como luz crepuscular activando un sensor de luz integrado; para las especificaciones consulte su manual de instrucciones.

3 INSTALACIÓN

3.1 - Comprobaciones previas a la instalación

Antes de comenzar la instalación, es necesario comprobar la integridad de los componentes del producto, la adecuación del modelo elegido y la idoneidad del ambiente destinado a su instalación:

- Compruebe que todo el material que se vaya a utilizar esté en perfecto estado y que sea apto para el uso previsto.
- Compruebe que la instalación incluya los topes mecánicos de suelo (no incluidos), tanto de cierre como de apertura.
- Compruebe que la estructura mecánica de la puerta sea apta para su automatización y conforme a las normas vigentes en el territorio (en caso necesario consulte los datos indicados en la etiqueta de la puerta). Este producto no puede automatizar una puerta que no sea eficiente y segura de por sí; además, no puede resolver defectos causados por una instalación incorrecta de la puerta o por un mantenimiento deficiente de esta.
- Compruebe que las condiciones de funcionamiento de los dispositivos sean compatibles con los límites de uso declarados (véase el párrafo 3.2).
- Mueva manualmente las hojas de la puerta en ambas direcciones y asegúrese de que el movimiento se produzca con una fricción constante en todos los puntos de la carrera (no debe haber puntos que requieran un esfuerzo mayor o menor).
- Ponga manualmente las hojas de la puerta en una posición cualquiera; luego déjelas detenidas y asegúrese de que no se muevan.
- Compruebe que la zona de fijación del motorreductor sea compatible con las medidas totales de este (fig. 1).
- Asegúrese de que en el ambiente en el que se debe instalar el motorreductor haya espacio suficiente para la rotación completa de su brazo.
- Asegúrese de que en la zona cercana al motorreductor haya espacio suficiente para efectuar la maniobra manual de desbloqueo del motorreductor.
- Asegúrese de que las superficies elegidas para instalar los diversos dispositivos sean sólidas y capaces de garantizar una fijación estable.
- Asegúrese de que cada uno de los dispositivos a instalar sea colocado en una posición protegida y resguardada contra golpes accidentales.
- Compruebe que todos los cables eléctricos utilizados sean del tipo indicado en la **Tabla 1**.

3.2 - Límites de uso

Antes de instalar el motorreductor, compruebe que sus datos respeten los siguientes límites de uso y los valores límite indicados en el capítulo "Características técnicas del producto":

Con el brazo del motor de longitud ENTERA (de fábrica):

- anchura máxima de la hoja: 1,80 m (= peso máximo de la hoja: 100 kg)
- altura máxima de la hoja: 2 m

Con el brazo del motor de longitud REDUCIDA (cortado por el instalador):

- anchura máxima de la hoja: 1,60 m (= peso máximo de la hoja: 100 kg)
- altura máxima de la hoja: 2 m

• Comprobaciones necesarias: marque en el **Gráfico 1** el peso y la anchura de la hoja; trace dos líneas desde estos puntos y asegúrese de que se crucen en una de las dos áreas grises del gráfico. ¡Atención! - Si las líneas se cruzan en el área blanca, no se podrá utilizar este producto para automatizar la puerta.

• Para permitir la instalación del motorreductor, la anchura mínima del pilar debe ser de 80 mm.

• El brazo del motorreductor debe colocarse en la parte alta de la hoja de la puerta.

¡ATENCIÓN! - Se prohíbe montar el motorreductor en posición invertida, es decir, con el brazo orientado hacia abajo.

• El soporte de fijación del brazo debe quedar en una zona robusta de la hoja (por ejemplo, el bastidor), para garantizar una fijación sólida y segura;

• Compruebe la medida "E" (fig. 7):

- Si la medida "E" es un valor comprendido entre 80 mm (mínimo) y 299 mm (máximo), es necesario acortar el brazo del motorreductor. En estas condiciones, la apertura máxima de la hoja puede llegar hasta los 90°.

- Si la medida "E" es un valor igual o superior a 300 mm, no es necesario acortar el brazo del motorreductor. En estas condiciones, la apertura máxima de la hoja puede llegar hasta los 110°.

3.3 - Operaciones de preinstalación

La fig. 2 muestra un ejemplo de instalación de automatización realizada con componentes Nice (algunos componentes pueden no estar incluidos en el kit):

a - Motorreductor con central mod. WL1024C

b - Motorreductor sin central mod. WL1024

c - Lámpara multifunción mod. WLT (para instalar en el motorreductor con central mod. WL1024C); véase el capítulo 3.5 y el manual de instrucciones correspondiente

d - Par de fotocélulas mod. MOFB

e - Teclado digital (mod. MOTB) - Lector de transponder (mod. MOMB) - Selector de llave (mod. MOSE)

f - Par de columnas para fotocélulas

g - Topes mecánicos de Apertura y Cierre

h - Cerradura eléctrica

La colocación de estos componentes sigue un esquema típico y habitual. Siguiendo la fig. 2, determine la posición aproximada en la que se instalará cada componente previsto en la instalación. **Importante** - Antes de comenzar la instalación, prepare los cables eléctricos necesarios, consultando la fig. 2a y la "Tabla 1 - Características técnicas de los cables eléctricos".

Atención - Durante la colocación de los tubos para el paso de los cables eléctricos, tenga en cuenta que debido a posibles depósitos de agua en las arquetas de derivación, los tubos de conexión pueden generar fenómenos de condensación en el interior de la central y dañar los circuitos electrónicos.

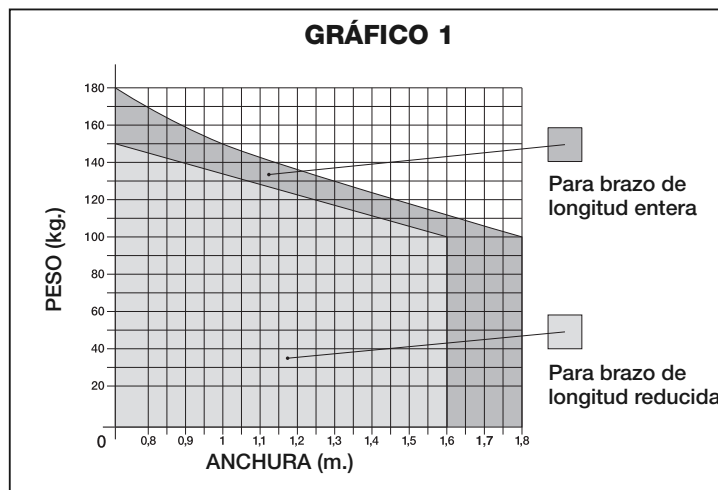


TABLA 1 - Características técnicas de los cables eléctricos

Conexión	Tipo de cable	Longitud máxima permitida
A: Cable de ALIMENTACIÓN	1 cable 3 x 1,5 mm ²	30 m (nota 1)
B: Cable de la CERRADURA ELÉCTRICA	1 cable 2 x 1 mm ²	6 m
C: Cable de DISPOSITIVOS BLUEBUS	1 cable 2 x 0,5 mm ²	20 m (nota 2)
D: Cable del SELECTOR DE LLAVE	2 cables 2 x 0,5 mm ² (nota 3)	50 m
E: Cable de ALIMENTACIÓN DEL MOTORREDUCTOR	1 cable 3 x 1,5 mm ²	6 m
Cable de ANTENA EXTERNA (opcional)	1 cable blindado tipo RG58	20 m (recomendado menor de 5 m)

Nota 1 - Si el cable de alimentación supera los 30 m de longitud, es necesario utilizar un cable con sección mayor (3 x 2,5 mm²) e instalar una puesta a tierra de seguridad cerca del automatismo.

Nota 2 - Si el cable Bluebus supera los 20 m de longitud, hasta un máximo de 40 m, es necesario utilizar un cable con sección mayor (2 x 1 mm²).

Nota 3 - Estos 2 cables pueden sustituirse por 1 único cable de 4 x 0,5 mm².

¡ATENCIÓN! - Los cables utilizados deben ser aptos para el tipo de ambiente en el que se realiza la instalación.

3.4 - Instalación del motorreductor mod. WL1024C - WL1024

ADVERTENCIAS

- Una instalación incorrecta puede causar graves lesiones a la persona que efectúa los trabajos y a las personas que utilizarán la instalación.
- Antes de comenzar el montaje del automatismo, efectúe las comprobaciones previas descritas en los párrafos 3.1 y 3.2.
- El brazo del motorreductor puede ser acortado respecto a la longitud estándar suministrada. Se necesita una menor longitud cuando inmediatamente al lado del motorreductor haya un obstáculo fijo (muro, poste, etc.) que impida el movimiento completo del brazo. Por tanto, para saber si es necesario o no acortar el brazo, **antes de comenzar la instalación se debe llevar a cabo el procedimiento 3.4.1.**

Ensamble los componentes que forman el brazo del motor, consultando la fig. 3. En esta fase no monte el anillo Benzing de bloqueo (fig. 4).

IMPORTANTE - El brazo curvo debe colocarse con la parte curvada orientada hacia la hoja de la puerta, como se muestra en la fig. 5.

3.4.1 - Determinar la longitud del brazo del motorreductor

01. Determine la posición del motorreductor en sentido VERTICAL:

trace en el pilar una línea horizontal a la misma altura a la que se encontrará el soporte de fijación del brazo sobre la hoja tras la instalación.

02. Determine la posición del motorreductor en sentido HORIZONTAL:

a) **Determine la apertura máxima de la hoja:** determine el ángulo de máxima apertura (máximo 110°).

b) **Tome la medida B y determine la medida A:**

1 - Tome en el pilar la **medida B** (fig. 5). Esta es la distancia entre el fulcro de rotación de la hoja y la superficie del pilar en la que se fijará el soporte posterior del motorreductor.

2 - Marque en el **Gráfico 2A** la **medida B** hallada y trace desde este punto una línea vertical hasta cruzar el **área** que contiene el valor del ángulo medido en el punto a.

3 - En los puntos de intersección entre la **línea vertical y el área**, trace líneas horizontales hasta la columna "A", para determinar los valores que se pueden utilizar para la **medida A**. **A continuación elija entre ellos un valor para A, a ser posible mínimo.**

4 - Marque en el pilar el valor de la **medida A** y trace una línea vertical coincidiendo con ella (fig. 6).

5 - Si cerca de la línea vertical hay una pared u otro obstáculo fijo, mida la distancia entre esta línea y el obstáculo (fig. 7): esta distancia es la **medida E**.

¡ATENCIÓN!

• Si la **medida E** es un valor comprendido entre 80 mm (mínimo) y 299 mm (máximo), prosiga con la instalación efectuando a continuación el procedimiento 3.4.3.

• Si la **medida E** es un valor igual o superior a 300 mm, continúe la instalación efectuando a continuación el procedimiento 3.4.2.

5 - Desbloquee el motorreductor con la llave correspondiente (véase el cap. 3.8).

3.4.2 - Instalación del motorreductor con BRAZO DE LONGITUD ESTÁNDAR

¡Atención! - Esta instalación puede realizarse únicamente tras completar el procedimiento 3.4.1.

01. Fijación del motorreductor al pilar (fig. 8):

a) Apoye el motorreductor contra el pilar (*) haciendo que su eje central vertical coincida con la línea vertical trazada previamente (medida A), y que su brazo coincida con la línea horizontal trazada durante el procedimiento 3.4.1. En esta fase, asegúrese de que el motorreductor esté perfectamente nivelado: un motorreductor descentrado puede provocar funcionamientos defectuosos del automatismo.

(*) **Nota** - Si la superficie del pilar tiene una anchura comprendida entre 80 y 135 mm, antes de proseguir con la instalación es necesario girar 90° el soporte de fijación posterior del motorreductor. Para girar el soporte véase la fig. 9.

b) Marque los puntos de fijación, taladre la superficie del pilar e introduzca los tacos; a continuación, fije el motorreductor utilizando tornillos y arandelas adecuados.

02. Fije el brazo del motorreductor a la hoja (fig. 8):

c) Ponga la hoja de la puerta en la posición de máximo cierre;

d) Empuje con fuerza el brazo del motorreductor **hasta su máxima extensión**. **¡Atención!** - Asegúrese de que el brazo se bloquee en su fin de carrera;

e) Acerque el brazo a la hoja, apoyando contra ella el soporte de fijación.

f) Compruebe que el brazo del motorreductor esté nivelado y marque con un lápiz **el centro del perfil de los orificios** del soporte, para permitir una regulación precisa del cierre de la hoja en el futuro (véase el párrafo 3.7).

g) Sujetando con una mano el soporte en contacto con la hoja, pruebe a efectuar una apertura y un cierre completos, hasta los topes mecánicos correspondientes. **¡Atención!** - Si durante la prueba el movimiento del brazo se ve obstaculizado por una pared u otro objeto fijo, interrumpa la operación y efectúe el procedimiento 3.4.3.

h) Taladre la hoja en los puntos marcados, separe el soporte del brazo y fíjelo a la hoja de la puerta con tornillos adecuados.

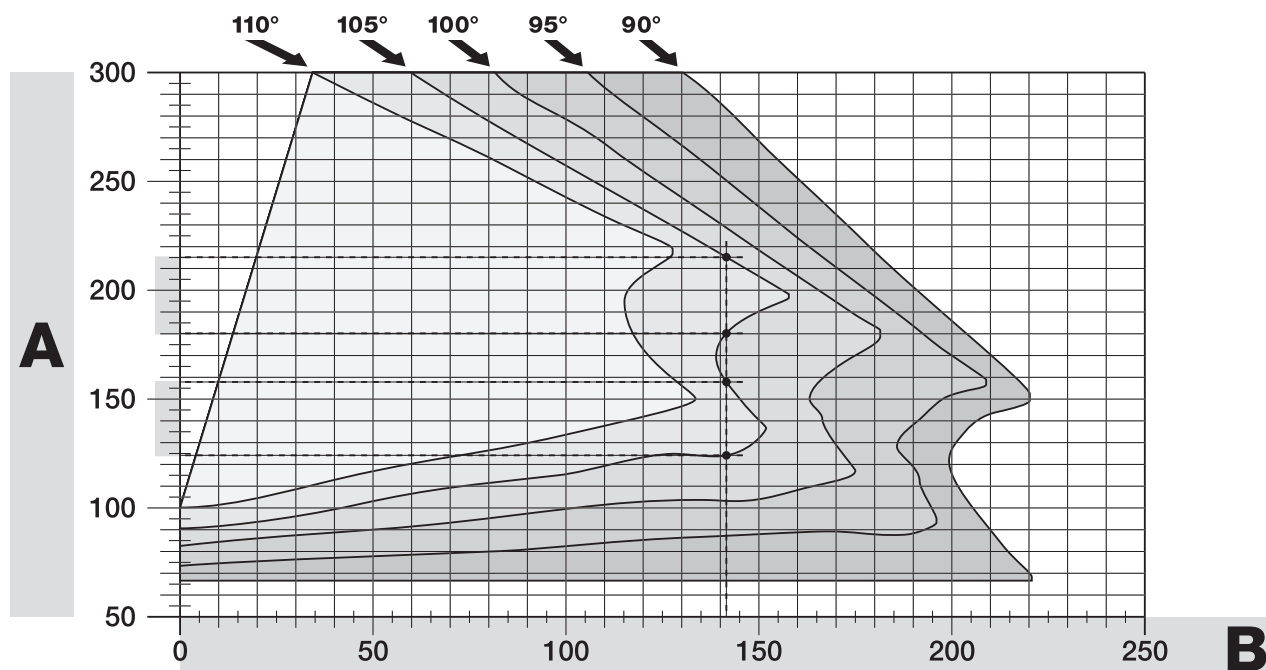
i) Fije el brazo al soporte, colocando el perno y el anillo Benzing de bloqueo. **Importante** - Compruebe que el soporte y el brazo estén perfectamente nivelados. En caso necesario afloje los tornillos del soporte y efectúe la nivelación. Esta comprobación se puede realizar también tomando la medida de 75 mm (véase la fig. 8 fase 2).

l) Fije al suelo los topes de fin de carrera, de manera estable y definitiva, **en la misma posición** definida al comienzo del procedimiento. **¡Atención!** - Compruebe que la hoja se cierre perfectamente contra el tope de fin de carrera (no incluido).

m) Por último, ponga manualmente la hoja de la puerta a aproximadamente la mitad de su carrera y bloquee el motorreductor con la llave correspondiente (véase el cap. 3.8). Después mueva la hoja manualmente unos pocos centímetros, en el sentido de apertura.

03. Si la puerta que se desea automatizar es de doble hoja, para instalar el otro motorreductor repita todas las operaciones descritas en este capítulo 3.4.

GRÁFICO 2A



3.4.3 - Instalación del motorreductor con BRAZO DE LONGITUD REDUCIDA

¡Atención! - Esta instalación puede realizarse únicamente tras completar el procedimiento 3.4.1.

01. Defina una nueva apertura máxima de la hoja (máximo 90°): sin tener en cuenta la apertura máxima de la hoja definida durante el procedimiento 3.4.1, ponga la hoja en una nueva posición de máxima apertura, comprobando que el ángulo no supere los 90°. A continuación bloquee la hoja en esta posición con un tope de suelo, **fijado de manera provisional**.

02. Defina las medidas A - B - C:

a) Tome en el pilar la **medida B** (fig. 10). Esta es la distancia entre el fulcro de rotación de la hoja y la superficie del pilar en la que se fijará el soporte posterior del motorreductor.

b) Marque en el **Gráfico 2B** la **medida B** hallada y trace desde este punto una línea vertical.

c) Determine en el pilar el valor de la **medida A** en la que fijar el soporte posterior del motorreductor (véase la fig. 11). **Importante** - Elija un valor de **A** mínimo a ser posible, para alejar el motor del obstáculo.

d) Marque en el **Gráfico 2B** la **medida A** hallada y trace desde este punto una línea horizontal, hasta cortar la línea vertical trazada previamente. El punto de encuentro entre las dos líneas define la **medida C**, es decir, la distancia que debe haber entre los dos pernos del brazo con ranura (fig. 12). *Ejemplo del gráfico 2B: si el valor de B es 105 mm y el de A es 143 mm, el punto C es 182.*

03. Fijación del motorreductor al pilar (fig. 13):

a) Apoye el motorreductor contra el pilar (*) haciendo que su eje central vertical coincida con la línea vertical trazada previamente (medida A), y que su brazo coincida con la línea horizontal trazada durante el procedimiento 3.4.1. En esta fase, asegúrese de que el motorreductor esté perfectamente nivelado: un motorreductor descentrado puede provocar funcionamientos defectuosos del automatismo.

(*) **Nota** - Si la superficie del pilar tiene una anchura comprendida entre 80 y 135 mm, antes de proseguir con la instalación es necesario girar 90° el soporte de fijación posterior del motorreductor. Para girar el soporte véase la fig. 8.

b) Marque los puntos de fijación, taladre la superficie del pilar e introduzca los tacos; a continuación, fije el motorreductor utilizando tornillos y arandelas adecuados.

04. Reducción de la longitud del brazo con ranura (fig. 14):

a) Para reducir la longitud del brazo con ranura a la **medida C** (la que se encuentra en el punto 02-d), desenrosque la tuerca, quite el tope, separe los dos pernos según la medida C y, por último, apriete la tuerca de manera provisional.

05. Comprobación de la medida C del brazo con ranura en relación al ambiente circundante (fig. 15 - 16):

a) Ponga la hoja de la puerta en la posición de máximo cierre;

b) Abra completamente el brazo del motorreductor, hasta su máximo ángulo de apertura (véase la fig. 15, fase 1);

c) Acerque el brazo a la hoja, apoyando contra esta última el soporte de fijación: **¡atención!** - empuje con las manos el brazo curvo contra la hoja, hasta que se bloquee el brazo (máxima apertura - véase la fig. 15, fase 1a).

d) Compruebe que el brazo del motorreductor esté nivelado y marque con un lápiz **el centro del perfil de los orificios del soporte**, para permitir una regulación precisa del cierre de la hoja en el futuro (véase el párrafo 3.7).

e) Fije de manera provisional el soporte sobre la hoja y ponga esta última en la posición de máxima apertura contra el tope del suelo.

f) Con la hoja en esta posición, efectúe la comprobación mostrada en la fig. 16 (tienda un hilo que pase por encima de los dos pernos del brazo con ranura, hasta llegar al gozne de la hoja). **¡Atención!** - Si, **respecto al gozne**, el hilo se encuentra en la posición "BB" de la fig. 16, es necesario **alargar** algunos milímetros la **medida C**. Deberá repetirse esta operación hasta que el hilo se encuentre en la posición "AA" de la fig. 16 y hasta que el brazo deje de golpear la pared u otro obstáculo fijo.

06. Corte del brazo con ranura (fig. 17):

Tras comprobar el correcto funcionamiento de la articulación, corte el brazo con ranura de la siguiente manera.

a) Trace una línea en el brazo con ranura exactamente por la posición indicada en la fig. 23, fase 1. Después desmonte el brazo del soporte y corte la parte sobrante del brazo.

b) Vuelva a ensamblar los componentes del brazo (fig. 3).

07. Fije el brazo del motorreductor a la hoja (fig. 18):

a) Taladre la hoja en los puntos marcados previamente.

b) Separe el soporte del brazo y fíjelo a la hoja de la puerta con tornillos adecuados.

c) Fije el brazo al soporte, colocando el perno y el anillo Benzing de bloqueo. **Importante** - Compruebe que el soporte y el brazo estén perfectamente nivelados. En caso necesario afloje los tornillos del soporte y efectúe la nivelación. Esta comprobación se puede realizar también tomando la medida de 75 mm (véase la fig. 8 fase 2).

d) Fije al suelo los topes de fin de carrera, de manera estable y definitiva, **en la misma posición** definida al comienzo del procedimiento.

¡Atención! - Compruebe que la hoja se cierre perfectamente contra el tope de fin de carrera. Para un ajuste preciso del cierre, véase el párrafo 3.7.

e) Por último, ponga manualmente la hoja de la puerta a aproximadamente la mitad de su carrera y bloquee el motorreductor con la llave correspondiente (véase el cap. 3.8). Después mueva la hoja manualmente unos pocos centímetros, en el sentido de apertura.

08. Si la puerta que se desea automatizar es de doble hoja, para instalar el otro motorreductor repita todas las operaciones descritas en este capítulo 3.4.

3.5 - Instalación de la lámpara multifunción mod. WLT en el motorreductor modelo WL1024C

Advertencia - La WLT puede funcionar como luz de señalización intermitente o luz de cortésia, dependiendo de la programación de la central de mando.

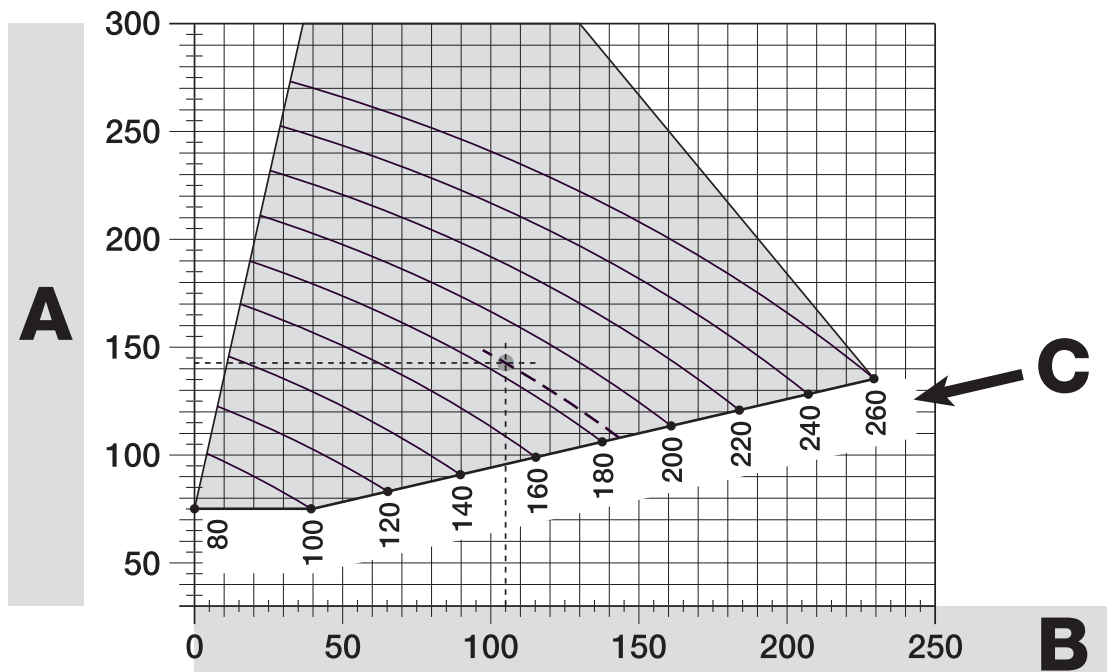
Siga las fases de instalación mostradas en la fig. 21, respetando la secuencia indicada y las siguientes advertencias:

• **para la fase 4** - Gire el alimentador en el sentido de la flecha, teniendo cuidado con los cables situados debajo, que lo conectan al motorreductor.

• **para la fase 7** - Tienda bien los cables e introduzca el conector en la salida FLASH de la manera indicada; fije los cables introduciéndolos en el sujetacable.

• **para la fase 11** - Coloque la tarjeta electrónica en el perno de la base, según

GRÁFICO 2B



el uso deseado: **A** = luz difusa; **B** = luz de haz direccional (en este caso el haz luminoso puede orientarse acoplando la tarjeta en una de las ranuras dispuestas en la base).

- **para la fase 12** – Tienda bien los cables, corte la parte sobrante y colóquelos de manera que no proyecten sombras sobre los leds ni sobre el sensor de luz situado en la parte trasera de la tarjeta electrónica.

- **para la fase 13** – Haga coincidir la flecha de la tapa con la de la base. Asegúrese de que los 4 dientes de la base se encajen en las ranuras internas de la tapa.

Nota – Si la lámpara multifunción WLT no se instala en la parte superior del motorreductor “Walky”, debe conectarse al borne ELS como se describe en el párrafo 4.1- “Descripción de las conexiones eléctricas”.

3.6 - Cómo extraer la central de mando

01. Desmonte la cubierta inferior del motorreductor (fig. 19 fase 1-2);

02. Desenrosque los 4 tornillos del soporte pasacables y extráigalo (fig. 24 fase 1-2);

03. Tire de la central en el sentido de la flecha, unos 4 centímetros, y desconecte el conector del motor (fig. 24 fase 3-4);

04. Por último, extraiga completamente la central;

¡Atención! - Al volver a conectar el motor a la central, respete la polaridad del conector (este solo se puede introducir en un sentido).

3.7 - Regulación del alineamiento de las hojas durante el cierre

01. Desmonte el brazo con ranura del soporte de fijación de la hoja;

02. Afloje los tornillos del soporte y desplácelo algunos milímetros hacia el motorreductor;

03. Luego vuelva a montar el brazo con ranura en el soporte, cierre la hoja y asegúrese de que quede alineada con la otra hoja y en contacto con el tope de fin de carrera. **¡Atención!** - En caso necesario, repita el punto 02 hasta lograr un alineamiento perfecto;

04. Realice un orificio en la hoja, coincidiendo con el orificio central del soporte de fijación, e introduzca un tornillo. Después fije definitivamente el soporte apretando los tres tornillos;

05. Por último, fije el brazo con ranura al soporte, montando el perno y el anillo Benzing de bloqueo.

3.8 - Desbloqueo y bloqueo manual del motorreductor

El motorreductor incluye un sistema de desbloqueo mecánico que permite abrir y cerrar la puerta manualmente.

Estas operaciones manuales deben efectuarse en caso de interrupción de la corriente eléctrica, anomalías de funcionamiento o durante las fases de instalación.

Desbloqueo (fig. 22-A):

01. Levante la portezuela;

02. Introduzca la llave en el perno de desbloqueo;

03. Gire la llave en el sentido de las agujas del reloj, realizando un giro casi completo.

04. Ahora se podrá mover manualmente la hoja de la puerta hasta la posición deseada.

Bloqueo (fig. 22-B):

01. Gire en sentido contrario al de las agujas del reloj la llave en el perno de desbloqueo y mueva la hoja manualmente hasta que se oiga el sonido mecánico de enganche de la hoja al mecanismo de arrastre.

02. Extraiga la llave del perno y vuelva a colocar la portezuela.

realiza mediante 2 conductores por los que viajan tanto la alimentación eléctrica como la señal de comunicación; al realizar la conexión no es necesario respetar ninguna polaridad. Cada dispositivo es reconocido individualmente por la central gracias a una dirección unívoca asignada durante la instalación (véase el párrafo 4.7)

STOP entrada para dispositivos que al dispararse provocan la parada inmediata de la maniobra que se esté ejecutando, seguida de una breve inversión; posibilidad de conectar contactos de tipo NA, NC o dispositivos con salida de resistencia constante de 8,2 kΩ (bandas sensibles). Durante la fase de aprendizaje, la central reconoce individualmente cada dispositivo conectado (párrafo 4.7); tras esta fase, si la central detecta cualquier variación respecto al estado aprendido, provoca un STOP. Pueden conectarse a esta entrada uno o varios dispositivos, incluso diferentes entre sí:

- conexión en paralelo de varios dispositivos NA, sin límite de cantidad;
- conexión en serie de varios dispositivos NC, sin límite de cantidad;
- conexión en paralelo de 2 dispositivos con salida de resistencia constante 8,2 kΩ. Si los dispositivos son más de 2, es necesario conectarlos en cascada con 1 sola resistencia de terminación de 8,2 kΩ;
- conexión en paralelo de 2 dispositivos NA y NC, colocando en serie al contacto NC una resistencia de 8,2 kΩ (esto permite también la combinación entre 3 dispositivos NA - NC y 8,2 kΩ)

P.P. entrada para dispositivos de control que al dispararse provocan la maniobra en modalidad Paso a Paso; posibilidad de conectar contactos de tipo NA

ANTENA entrada para la antena de un radioreceptor

4.2 - Conexión del cable de alimentación

ADVERTENCIA: Es necesario incluir en la línea eléctrica de alimentación un dispositivo que garantice la desconexión completa del automatismo respecto a la red. El dispositivo de desconexión debe presentar una separación entre contactos que permita la desconexión completa en las condiciones establecidas por la categoría de sobretensión III, conforme a las reglas de instalación. En caso necesario, este dispositivo garantiza una desconexión rápida y segura de la alimentación. Por tanto, debe colocarse en un lugar visible desde el automatismo. En cambio, si está situado en una posición no visible, debe incluir un sistema que impida una posible reconexión accidental o no autorizada de la alimentación, para prevenir cualquier peligro. El dispositivo de desconexión no se entrega con el producto.

¡ATENCIÓN!

– Las operaciones de conexión deben ser realizadas únicamente por personal cualificado.

– Todas las conexiones eléctricas deben realizarse sin alimentación eléctrica de red y con la batería compensadora desconectada, si está instalada en el automatismo.

01. Acceda al alimentador, desenroscando los 3 tornillos de la cubierta superior del motorreductor, y gire lentamente la cubierta en el sentido de la flecha (fig. 24), teniendo cuidado con los cables situados debajo;

02. Conecte los cables de fase y neutro a la bornera del alimentador, respetando las indicaciones de la etiqueta; sujete el ojal del cable de tierra con el tornillo (fig. 25); **¡atención!** - oriente el terminal hacia la embocadura de la que sale el cable de alimentación;

03. Luego tire del cable de alimentación hacia la central, de manera que su longitud resulte apenas suficiente para hacer girar el alimentador y cerrar la cubierta;

04. Vuelva a cerrar la cubierta del alimentador; apriete los tornillos del sujetacable, introduzca la central en su alojamiento y vuelva a montar el soporte pasacables.

¡Atención! - Vuelva a cerrar la cubierta del alimentador con todos los tornillos y asegúrese de que la junta esté bien colocada en su asiento. La ausencia de un tornillo o de la junta puede poner en peligro los circuitos internos.

4.3 - Conexión del motorreductor sin central mod. WL1024

01. Desmonte la cubierta inferior del motorreductor sin central como se muestra en la fig. 19, fase 1-2;

02. Desenrosque con un destornillador de estrella los 4 tornillos del soporte pasacables (fig. 20) y extráigalo (**¡atención!** - no pierda los 2 distanciadores).

03. Afloje los dos tornillos del sujetacable (fig. 20, fase 6) y pase el cable de conexión; conecte los 3 cables a la bornera, respetando los símbolos de la etiqueta; por último apriete los tornillos del sujetacable.

04. Utilizando una llave Allen, ajuste las 2 patas dentro del motorreductor, hasta que se apoyen completamente en el pilar (fig. 20, fase 7).

05. Corte el borde del soporte pasacables (fig. 20, fase 8); vuelva a colocar en su lugar los 2 distanciadores; vuelva a montar el soporte pasacables (fig. 20, fase 9) y la cubierta inferior del motorreductor (fig. 20, fase 10).

4.4 - Conexión de otros dispositivos

Si se necesita alimentar otros dispositivos previstos en la instalación, como un lector de tarjetas transponder o la luz de iluminación del selector de llave, es posible conectarlos a la central de mando en los bornes “P.P. (positivo)” y “STOP (negativo)” (fig. 23). La tensión de alimentación va desde 18 a 31 Vcc con funcionamiento a la tensión de red o Solemyo, y desde 11 a 14 Vcc apro-

4 CONEXIONES ELÉCTRICAS

La conexión eléctrica de los diversos dispositivos (fotocélulas, teclados digitales, lectores de tarjetas transponder, etc.) instalados en el automatismo con la central de mando se realiza mediante el sistema “Bluebus” de Nice. Este sistema permite efectuar las conexiones eléctricas usando tan solo 2 conductores por los que viajan tanto la alimentación eléctrica como las señales de comunicación. La conexión eléctrica que se debe utilizar es de tipo paralelo y no requiere el respeto de ninguna polaridad. Durante la fase de aprendizaje, la central reconocerá individualmente cada dispositivo conectado a ella, gracias a un código unívoco. Cada vez que se añada o elimine un dispositivo, será necesario hacer que la central efectúe el aprendizaje (véase el párrafo 4.7).

4.1 - Descripción de las conexiones eléctricas (fig. 23)

M1	salida para motorreductor 1
ELS	salida para cerradura eléctrica de 12 Vca (máximo 15 VA). La salida ELS puede programarse con otras funciones (por ejemplo, luz intermitente, luz de cortésia, etc.) mediante el programador Oview (véase el capítulo 8.3).

BLUEBUS entrada para dispositivos compatibles (MOFB, MOFOB, MOB, MOTB etc.). La conexión de los dispositivos es de tipo paralelo y se

ximadamente con funcionamiento mediante batería compensadora PS424. La corriente máxima disponible es de 200 mA.

Nota – La tensión disponible en los bornes “P.P.” y “STOP” sigue presente incluso cuando se activa la función “Stand By” en la tarjeta.

4.5 - Direccionamiento de las fotocélulas y de otros dispositivos BlueBus

Para que la central pueda reconocer las fotocélulas conectadas al borne BlueBus, es necesario direccionarlas: coloque correctamente el puente eléctrico de cada dispositivo, como se muestra en la **fig. 31**.

Para realizar el direccionamiento de otros dispositivos, consulte los manuales de instrucciones correspondientes.

4.6 - Primer encendido y comprobación de las conexiones

Tras conectar la alimentación eléctrica de la central de mando, efectúe las siguientes comprobaciones:

- pasados algunos segundos, compruebe que el Led “Bluebus” (**fig. 26**) parpadee regularmente con frecuencia de 1 parpadeo por segundo;
- compruebe que los Leds de las fotocélulas, tanto TX como RX, parpadeen. El tipo de parpadeo emitido en esta fase no tiene importancia;
- compruebe que esté apagada la lámpara multifunción WLT (programada con función intermitente) conectada a la salida FLASH del alimentador.

Si no se produjese lo anterior, será necesario desconectar la alimentación eléctrica de la central y comprobar las conexiones eléctricas realizadas previamente.

4.7 - Aprendizaje de los dispositivos conectados

Tras realizar el primer encendido, es necesario hacer que la central reconozca los dispositivos conectados a las entradas “Bluebus” y “Stop”.

¡ATENCIÓN! – Es necesario llevar a cabo la fase de aprendizaje incluso si no hay ningún dispositivo conectado a la central.

La central puede reconocer individualmente los dispositivos conectados gracias al proceso de aprendizaje, así como detectar de manera muy precisa las anomalías que se puedan producir. Por ello, es necesario efectuar el aprendizaje de los dispositivos cada vez que se conecta o elimina uno de ellos.

Los Leds “L1” y “L2” de la central (**fig. 26**), parpadean lentamente para indicar que es necesario efectuar el aprendizaje:

01. Pulse y mantenga pulsados simultáneamente los botones “◀” y “Set” (**fig. 26**).
02. Suelte los botones cuando los leds “L1” y “L2” comiencen a parpadear rápidamente (tras unos 3 segundos).
03. Espere algunos segundos hasta que la central complete la fase de aprendizaje de los dispositivos.
04. Al concluir esta fase, el Led “Stop” debe estar encendido y los Leds “L1” y “L2” se deben apagar (podrían comenzar a parpadear los Leds “L3” y “L4”).

4.8 - Aprendizaje de las posiciones de los topes mecánicos

Tras el aprendizaje de los dispositivos (párrafo 4.7), es necesario efectuar el aprendizaje de las posiciones de los topes mecánicos por parte de la central (máxima apertura y máximo cierre);

En esta fase se mide el ángulo de apertura de las hojas desde el tope mecánico de cierre hasta el tope mecánico de apertura. **Es imprescindible que haya topes mecánicos fijos y lo suficientemente robustos.**

01. Localice en la **Tabla 2** la figura correspondiente a su instalación y disponga en la central los puentes eléctricos, **JA** y **JB**, en la misma posición prevista por la figura hallada.
02. Desbloquee los motorreductores con las llaves correspondientes (véase el capítulo 3.8) y ponga las hojas a mitad de su carrera de manera que se puedan mover libremente en apertura y cierre; luego bloquee los motorreductores.
03. En la central, pulse y mantenga pulsados simultáneamente los botones “Set” y “▶”;
04. Cuando los leds “L3” y “L4” comiencen a parpadear rápidamente, (tras unos 3 seg.) suelte los botones;
05. Compruebe que el automatismo ejecute las siguientes secuencias de maniobras:
 - a - Cierre lento del motorreductor M1 hasta el tope mecánico
 - b - Cierre lento del motorreductor M2 hasta el tope mecánico
 - c - Apertura lenta del motorreductor M2 y del motorreductor M1 hasta el tope mecánico
 - d - Cierre lento completo del motorreductor M1 y M2

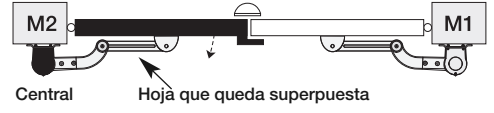

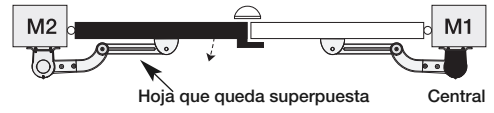

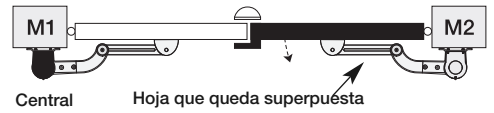

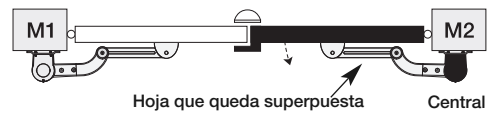

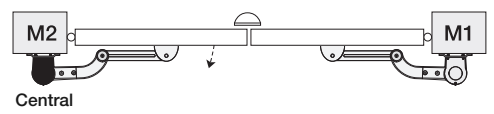

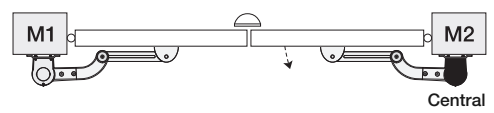

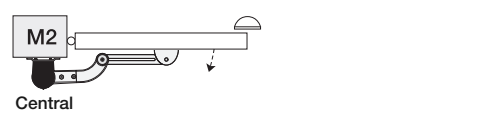

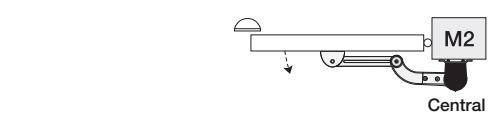

• Si la primera maniobra realizada por una o las dos hojas no es un cierre, pulse cualquier botón para detener la fase de aprendizaje y compruebe la posición de los puentes eléctricos **JA** y **JB**, consultando la **Tabla 2**; o bien compruebe la polaridad del motor sin central (mod. WL1024).

• Si el primer motor que efectúa el cierre no es M1, pulse cualquier botón para interrumpir la fase de aprendizaje y compruebe la posición de los puentes eléctricos **JA** y **JB**, consultando la **Tabla 2**.

• Si durante la fase de aprendizaje se dispara cualquier dispositivo (fotocélulas, selector de llave, presión sobre los botones, etc.), la fase de aprendizaje se interrumpirá inmediatamente. Por tanto será necesario repetirla por entero.

06. Al finalizar la maniobra de cierre de los 2 motores (d), los leds “L3” y “L4” se apagan para indicar que la operación ha tenido éxito.

TABLA 2

	JA JB 
	JA JB 
	JA JB 
	JA JB 
	JA JB 
	JA JB 
	JA JB 
	JA JB 

4.9 - Comprobación del movimiento de las hojas de la puerta

Al finalizar la fase de aprendizaje de las posiciones de los topes mecánicos, se recomienda hacer que la central ejecute algunas maniobras de apertura y cierre, para comprobar si la puerta se mueve correctamente, si hay defectos de montaje o de regulación u otras anomalías:

01. Pulse el botón **Open** (**fig. 26**) y compruebe que la maniobra de apertura incluya la fase de aceleración, la fase de velocidad constante y la fase de deceleración, y que las puertas se detengan contra el fin de carrera mecánico de apertura.
02. Pulse el botón **Close** (**fig. 26**) y compruebe que la maniobra de cierre incluya la fase de aceleración, la fase de velocidad constante y la fase de deceleración, y que las puertas se detengan contra el fin de carrera mecánico de cierre.
03. Durante las maniobras, compruebe que la luz intermitente emita algunos parpadeos con intervalos de 0,5 segundos encendida y de 0,5 segundos apagada.

5

ENSAYO Y PUESTA EN SERVICIO

Estas son las fases más importantes en la preparación del automatismo, ya que su objetivo es garantizar la máxima seguridad de la instalación. El ensayo también se puede usar para comprobar periódicamente los dispositivos que conforman el automatismo. Las fases de ensayo y puesta en servicio del automatismo deben ser realizadas por personal cualificado y experto, que deberá llevar a cabo las pruebas necesarias para comprobar las soluciones adoptadas respecto a los riesgos existentes y verificar el cumplimiento de lo previsto por las leyes, normativas y reglamentos, con especial atención a todos los requisitos de la norma EN 12445, que establece los métodos de prueba para la verificación de los automatismos para puertas.

Los dispositivos adicionales deben ser sometidos a un ensayo específico, tanto en lo referente a su funcionamiento como a su correcta interacción con WALKY; para ello consulte el manual de instrucciones de cada dispositivo.

5.1 - Ensayo

La secuencia de operaciones necesarias para el ensayo se refiere a una instalación típica (fig. 2):

- 1 Desbloquee manualmente los motorreductores y compruebe que, al intervenir sobre la hoja en el punto previsto para la maniobra manual, se pueda mover las hojas en apertura y cierre con una fuerza inferior a 390 N.
- 2 Compruebe que, cuando se deja la hoja detenida en cualquier posición de su carrera, no se mueva.
- 3 Bloquee los motorreductores (véase el capítulo 3.8).
- 4 ¡ATENCIÓN! – Compruebe que las uniones con tornillos estén bien apretadas.
- 5 Utilizando los dispositivos de mando (trasmisor, botón de mando, selector de llave, etc.), haga las pruebas de apertura, cierre y parada de la puerta, comprobando que el movimiento de las hojas sea el previsto. Conviene llevar a cabo diversas pruebas para evaluar el movimiento de las hojas y verificar si hay errores de montaje, de regulación o puntos de especial fricción.
- 6 Compruebe el correcto funcionamiento de todos los dispositivos de seguridad de la instalación, uno por uno (fotocélulas, bandas sensibles, etc.). Cuando se dispara un dispositivo, el led "BLUEBUS", situado en la central, emite 2 parpadeos más rápidos para confirmar que se ha efectuado el reconocimiento.
- 7 Si las situaciones peligrosas provocadas por el movimiento de las hojas han sido prevenidas limitando la fuerza de impacto, se deberá efectuar una medición de la fuerza conforme a lo previsto por la norma EN 12445 y, en caso necesario, si se utiliza la "fuerza del motorreductor" como ayuda al sistema para la reducción de la fuerza de impacto, probar hasta hallar la regulación que dé los mejores resultados.
- 8 Fije de manera permanente y en una zona adyacente al automatismo una etiqueta que describa cómo desbloquear manualmente el motorreductor.

5.2 - Puesta en servicio

La puesta en servicio solo es posible tras llevar a cabo con éxito todas las fases de ensayo.

- 1 Elabore el expediente técnico del automatismo, que deberá incluir los siguientes documentos: un dibujo general del automatismo, el esquema de las conexiones eléctricas realizadas, el análisis de los riesgos existentes y las soluciones adoptadas al respecto, la declaración de conformidad del fabricante de todos los dispositivos utilizados y la declaración de conformidad redactada por el instalador.
- 2 Aplique a la puerta una placa que contenga al menos los siguientes datos: tipo de automatismo, nombre y dirección del fabricante (responsable de la "puesta en servicio"), número de serie, año de fabricación y marcado "CE".
- 3 Redacte y entregue al propietario del automatismo la declaración de conformidad del automatismo.
- 4 Redacte y entregue al propietario del automatismo el "Manual de uso" del automatismo.
- 5 Redacte y entregue al propietario del automatismo el "Plan de mantenimiento" que reúne las instrucciones de mantenimiento para todos los dispositivos del automatismo.
- 6 Antes de poner en servicio el automatismo, informe adecuadamente al propietario acerca de los peligros y riesgos residuales todavía existentes.

Para toda la documentación citada, Nice pone a su disposición, a través de su servicio de asistencia: manuales de instrucciones, guías y formularios ya cumplimentados. Visite también el sitio web: www.nice-service.com

6 PROGRAMACIÓN DE LA CENTRAL DE MANDO

La central presenta 3 botones: OPEN (◀), STOP (SET) y CLOSE (▶), que se pueden utilizar tanto para controlar la central durante las fases de prueba como para la programación de las funciones disponibles.

Las funciones programables disponibles están organizadas en 2 niveles, y su estado de funcionamiento se indica mediante los 4 leds (L1 ... L4) situados en la central (led encendido = función activada; led apagado = función no activada).

Utilice los botones de programación (fig. 26):

OPEN (◀): – botón para controlar la apertura de la puerta; – botón de selección durante la fase de programación.

STOP/SET: botón para detener una maniobra; si se pulsa durante más de 5 segundos, se entra en la fase de programación.

CLOSE (▶): – botón para controlar el cierre de la puerta; – botón de selección durante la fase de programación.

6.1 - Programación de primer nivel (ON-OFF)

Todas las funciones del primer nivel vienen de fábrica programadas en "OFF" y se pueden modificar en cualquier momento. Para la comprobación de las diversas funciones véase la **Tabla 5**. Para el proceso de programación véase la **Tabla 6**.


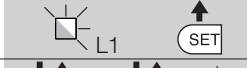



Nota – Estas operaciones se pueden volver a realizar en cualquier momento, incluso después de conectar un nuevo dispositivo a la central.

IMPORTANTE – El proceso de programación presenta un tiempo máximo de 10 segundos entre la presión de un botón y la siguiente. Transcurrido este tiempo, el proceso finaliza automáticamente, memorizando los cambios realizados hasta ese momento.

TABLA 5 - Funciones de primer nivel

Led	Función	Descripción
L1	Cierre automático	Función ACTIVADA: tras una maniobra de apertura, se realiza una pausa (igual al Tiempo de pausa programado), transcurrida la cual, la central ejecuta automáticamente una maniobra de cierre. El valor predeterminado del Tiempo de pausa es de 30 seg. Función NO ACTIVADA: el funcionamiento es de tipo "semiautomático".
L2	Volver a cerrar tras foto	Función ACTIVADA: si durante la maniobra de apertura o cierre se disparan las fotocélulas, el tiempo de pausa se reduce a 5 seg. independientemente del "tiempo de pausa" programado. Con el "cierre automático" desactivado, si se disparan las fotocélulas durante el cierre, se activa el "cierre automático" con el "tiempo de pausa" programado.
L3	Cerrar siempre	Función ACTIVADA: en caso de apagón eléctrico, aunque sea breve, al restablecerse la corriente eléctrica la central detecta que la puerta está abierta y ejecuta automáticamente una maniobra de cierre, tras 5 seg. de parpadeo previo. Función NO ACTIVADA: cuando vuelve la corriente eléctrica, la puerta permanece donde está.
L4	Stand-by (Bluebus)	Función ACTIVADA: 1 minuto después de concluir la maniobra, la central apaga la salida "Bluebus" (dispositivos conectados) y todos los leds, excepto el led Bluebus, que parpadeará más lentamente. Cuando la central recibe un mando, restablece el funcionamiento normal (con un breve retraso). Esta función tiene el objetivo de reducir los consumos, aspecto importante con alimentación por baterías o paneles fotovoltaicos.

TABLA 6 - Proceso de programación de primer nivel

01. Pulse y mantenga pulsado el botón "Set" durante unos 3 segundos;	
02. Suelte el botón cuando el led "L1" comience a parpadear;	
03. Pulse el botón "◀" o "▶" para cambiar el led que parpadea al led que representa la función que se desea modificar;	
04. Pulse el botón "Set" para cambiar el estado de la función: (parpadeo breve = OFF - parpadeo largo = ON);	
05. Espere 10 segundos (tiempo máximo) para salir de la programación.	

Nota – Para poner otras funciones en "ON" u "OFF", durante la ejecución del proceso es necesario repetir los puntos 03 y 04 en la misma fase.









6.2 - Programación de segundo nivel (parámetros regulables)

Todos los parámetros del segundo nivel vienen programados de fábrica de la manera resaltada en **color gris** en la Tabla 8, y se pueden modificar en cualquier momento, siguiendo las indicaciones de la Tabla 7.

Los parámetros se pueden regular en una escala de valores de 1 a 4; para

comprobar el valor correspondiente a cada Led véase la Tabla 8. **IMPORTANTE** – El proceso de programación presenta un tiempo máximo de 10 segundos entre la presión de un botón y la siguiente. Transcurrido este tiempo, el proceso finaliza automáticamente, memorizando los cambios realizados hasta ese momento.

TABLA 7 - Proceso de programación de segundo nivel

01. Pulse y mantenga pulsado el botón "Set" durante unos 3 segundos;	
02. Suelte el botón cuando el led "L1" comience a parpadear;	
03. Pulse el botón "◀" o "▶" para cambiar el led que parpadea al led que representa "led de entrada" del parámetro que se desea modificar;	
04. Pulse y mantenga pulsado el botón "Set" hasta la conclusión del punto 06;	
05. Espere unos 3 segundos, hasta que se encienda el led que representa el nivel actual del parámetro que se desea modificar;	
06. Pulse el botón "◀" o "▶" para cambiar el led que representa el valor del parámetro;	
07. Suelte el botón "Set";	
08. Espere 10 segundos (tiempo máximo) para salir de la programación.	

Nota – Para programar varios parámetros, durante la ejecución del proceso es necesario repetir las operaciones desde el punto 03 al punto 07 durante la misma fase.

TABLA 8 - Funciones de segundo nivel

Led de entrada	Parámetro	Led (nivel)	Valor	Descripción
L1	Tiempo Pausa	L1	5 segundos	Regula el tiempo de pausa, es decir, el tiempo transcurrido antes del cierre automático. Solo tiene efecto si el Cierre está activado.
		L2	30 segundos	
		L3	60 segundos	
		L4	120 segundos	
L2	Función Paso a Paso	L1	Abrir – stop – cerrar – stop	Regula la secuencia de mandos asociados a la entrada "Paso a Paso" o al mando radio. Nota – Al ajustarse L4 se modifica también el comportamiento de los mandos "Abrir" y "Cerrar".
		L2	Abrir – stop – cerrar – abrir	
		L3	Abrir – cerrar – abrir – cerrar	
		L4	Comunidad: • durante la maniobra de apertura , los mandos "Paso a Paso" y "Abrir" no tienen ningún efecto; en cambio, el mando "Cerrar" provoca la inversión del movimiento, es decir, el cierre de las hojas. • durante la maniobra de cierre , los mandos "Paso a Paso" y "Abrir" provocan la inversión del movimiento, es decir, la apertura de las hojas; en cambio, el mando "Cerrar" no tiene ningún efecto.	
L3	Velocidad de los motores	L1	Lenta	Regula la velocidad de los motores durante la carrera normal.
		L2	Media	
		L3	Rápida	
		L4	Muy rápida	
L4	Fuerza motores	L1	Nivel 1 - Fuerza mínima	Regula la fuerza de ambos motores.
		L2	Nivel 2 - ...	
		L3	Nivel 3 - ...	
		L4	Nivel 4 - Fuerza máxima	

6.3 - Borrado de la memoria

Para borrar la memoria de la central y restaurar todos los ajustes de fábrica, siga estos pasos: pulse y mantenga pulsados los botones "◀" y "▶" hasta que los leds L1 y L2 comiencen a parpadear.

6.4 - Funciones especiales

Función: "Mover igualmente"

Esta función permite hacer funcionar el automatismo incluso si algún dispositivo de seguridad no funciona correctamente o está fuera de servicio.

Se puede controlar el automatismo en modalidad "hombre presente", siguiendo estas instrucciones:

- Envíe un mando para accionar la puerta, mediante un transmisor o con un selector de llave, etc. Si todo funciona correctamente, la puerta se moverá normalmente; en caso contrario siga estos pasos:
- Antes de que pasen 3 segundos, vuelva a accionar el mando y manténgalo accionado;

- Pasados unos 2 segundos, la puerta ejecutará la maniobra solicitada en modalidad "hombre presente"; es decir, la puerta solo se moverá mientras se mantenga accionado el mando.

Cuando los dispositivos de seguridad no funcionan, la luz intermitente emite algunos parpadeos para indicar el tipo de problema (véase el capítulo 7 - Tabla 10).

7 QUÉ HACER SI... (guía de resolución de problemas)

Algunos dispositivos están preparados para emitir indicaciones que permiten conocer el estado de funcionamiento o de posibles anomalías. Si a la salida FLASH del alimentador se conecta la lámpara multifunción WLT, programada con función intermitente, durante la ejecución de una maniobra esta emite un parpadeo a intervalos de 1 segundo. Si se producen anomalías, la luz intermitente emite parpadeos más breves; estos se repiten dos veces,

separados por una pausa de 1 segundo. En la **Tabla 10** se describen la causa y la solución para cada tipo de indicación. Los leds de la central también emiten indicaciones; en la **Tabla 11** se describen la causa y la solución para cada tipo de indicación.

Parpadeos	Problema	Solución
1 parpadeo breve pausa de 1 segundo 1 parpadeo breve	Error en el sistema Bluebus	La comprobación de los dispositivos conectados al sistema Bluebus, realizada al comienzo de la maniobra, no coincide con los dispositivos memorizados durante la fase de aprendizaje. Es posible que haya dispositivos desconectados o averiados, por lo que es necesario comprobarlos y sustituirlos. Si se han efectuado modificaciones, es necesario volver a realizar el aprendizaje de los dispositivos (véase el párrafo 4.7).
2 parpadeos breves pausa de 1 segundo 2 parpadeos breves	Disparo de una fotocélula	Una o varias fotocélulas no dan el asenso al movimiento, o durante la carrera han provocado la inversión del movimiento; compruebe si hay obstáculos.
3 parpadeos breves, pausa de 1 segundo, 3 parpadeos breves	Disparo de la función "Detección de Obstáculos" por limitador de fuerza	Durante el movimiento los motores han experimentado un mayor esfuerzo; compruebe la causa y en caso necesario aumente el nivel de fuerza de los motores
4 parpadeos breves pausa de 1 segundo 4 parpadeos breves	Disparo de la entrada de STOP	Al comienzo de la maniobra o durante el movimiento se han disparado los dispositivos conectados a la entrada STOP; compruebe la causa.
5 parpadeos breves pausa de 1 segundo 5 parpadeos breves	Error en los parámetros internos de la entral de mando	Espere al menos 30 segundos, vuelva a efectuar un mando y en caso necesario desconecte también la alimentación; si el estado no cambia, podría haber una avería grave y es necesario sustituir la tarjeta electrónica.
6 parpadeos breves pausa de 1 segundo 6 parpadeos breves	Se ha superado el límite máximo de maniobras consecutivas o de maniobras por hora.	Espere algunos minutos para que el limitador de maniobras vuelva a descender del límite máximo.
7 parpadeos breves pausa de 1 segundo 7 parpadeos breves	Anomalía en los circuitos eléctricos	Espere al menos 30 segundos, pruebe de nuevo a efectuar un mando y en caso necesario desconecte también la alimentación; si el estado no cambia, podría haber una avería grave y es necesario sustituir la tarjeta electrónica.
8 parpadeos breves pausa de 1 segundo 8 parpadeos breves	Ya se está ejecutando un mando que no permite ejecutar otros	Compruebe el tipo de mando que se está ejecutando; por ejemplo, podría ser el mando de un reloj en la entrada "PASO A PASO".
9 parpadeos breves pausa de 1 segundo 9 parpadeos breves	El automatismo ha sido bloqueado por un mando "Bloquear automatismo"	Desbloquee el automatismo enviando el mando "Desbloquear automatismo".

Led	Problema	Solución
BLUEBUS Siempre apagado	Anomalía	Compruebe si la central está conectada a la alimentación; compruebe que no se hayan disparado los fusibles. En este caso halle la causa de la avería y sustitúyalos por otros del mismo valor
Siempre encendido	Anomalía grave	Se ha producido un problema grave: pruebe a desconectar la alimentación eléctrica de la central; si el estado no cambia será necesario sustituir la tarjeta electrónica
1 parpadeo por segundo	Todo normal	Funcionamiento correcto de la central
2 parpadeos rápidos	Variación del estado de las entradas	Es correcto si se produce una variación en una de las entradas (PP, STOP); disparo de las fotocélulas o se transmite un mando con un transmisor
Serie de parpadeos separados por una pausa de 1 segundo	Varias	Véase la Tabla 10
STOP Siempre apagado	Disparo de los dispositivos conectados a la entrada STOP	Compruebe los dispositivos de la entrada STOP
Siempre encendido	Todo normal	Entrada STOP activada
P.P. Siempre apagado	Todo normal	Entrada P.P. no activada
Siempre encendido	Disparo de la entrada P.P.	Es correcto si está activado el dispositivo conectado a la entrada P.P.
L1 - L2 Parpadeo lento	Variación del número de dispositivos conectados al Bluebus o aprendizaje del dispositivo no efectuado	Es necesario efectuar el aprendizaje de los dispositivos (véase el párrafo 4.7)
L3 - L4 Parpadeo lento	No se ha efectuado nunca el aprendizaje de las posiciones de los topes mecánicos	Es necesario efectuar el aprendizaje (véase el párrafo 4.8).

8 INFORMACIÓN DETALLADA

Para WALKY están disponibles los siguientes accesorios (radioreceptor): el programador Oview, el sistema de energía solar Solemyo y la batería compensadora mod. PS424.

8.1 - Conexión del radioreceptor OXI

Para conectar el receptor OXI es necesario desconectar la alimentación eléctrica de la central y seguir las indicaciones de la **fig. 27**. La **Tabla 12** y la **Tabla 13** contienen los mandos correspondientes a las salidas de la central.

TABLA 12

SMXI / SMXIS o bien OXI / OXIFM / OXIT / OXITFM en modo I o Modo II

Salida Nº1	Mando "P.P." (Paso a Paso)
Salida Nº2	Mando "Apertura parcial 1"
Salida Nº3	Mando "Abrir"
Salida Nº4	Mando "Cerrar"

TABLA 13

OXI / OXIFM / OXIT / OXITFM en modo II ampliado

Nº	Mando	Descripción
1	Paso a Paso	Mando "P.P." (Paso a Paso)
2	Apertura parcial 1	Mando "Apertura parcial 1"
3	Abrir	Mando "Abrir"
4	Cerrar	Mando "Cerrar"
5	Stop	Detener la maniobra
6	Paso a Paso Comunidad	Mando en modalidad Comunidad
7	Paso a Paso alta prioridad	Ejecuta mandos incluso con el automatismo bloqueado o mando activos
8	Abrir parcial 2	Abrir parcial (apertura de la hoja M2, equivalente a la mitad de la apertura total)
9	Abrir parcial 3	Abrir parcial (apertura de las dos hojas, equivalente a la mitad de la apertura total)
10	Abrir y Bloquear automatismo	Provoca una maniobra de apertura y, al finalizar esta, el bloqueo del automatismo; la central no acepta ningún otro mando excepto los de "Paso a paso alta prioridad", "Desbloquear" automatismo o (solo desde Oview) los mandos: "Desbloquear y cerrar" y "Desbloquear y abrir"
11	Cerrar y Bloquear automatismo	Provoca una maniobra de cierre y, al finalizar esta, el bloqueo del automatismo; la central no acepta ningún otro mando excepto los de "Paso a paso alta prioridad", "Desbloquear" automatismo o (solo desde Oview) los mandos: "Desbloquear y cerrar" y "Desbloquear y abrir"
12	Bloquear automatismo	Provoca la parada de la maniobra y el bloqueo del automatismo; la central no acepta ningún mando excepto los de "Paso a paso alta prioridad", "Desbloquear" automatismo o (solo desde Oview) los mandos: "Desbloquear y cerrar" y "Desbloquear y abrir".
13	Desbloquear automatismo	Provoca el desbloqueo del automatismo y restablece el funcionamiento normal
14	On Timer Luz de cortesía	Se enciende la salida Luz de cortesía con apagado temporizado
15	On-Off Luz de cortesía	Se enciende y apaga la salida Luz de cortesía en modalidad On - Off

8.2 - Conexión e instalación de la batería compensadora mod. PS424

¡ATENCIÓN! - La conexión eléctrica de la batería a la central debe realizarse solo tras concluir todas las fases de instalación y programación, ya que la batería constituye una alimentación eléctrica de emergencia.

Para instalar y conectar la batería, siga las fases de montaje mostradas en la **fig. 28**.

8.3 - Conexión del programador Oview

La central incluye el conector BusT4, al que se puede conectar la unidad de programación Oview, que permite una gestión rápida y completa de las fases de instalación, mantenimiento y diagnóstico de todo el automatismo. Para acceder al conector es necesario seguir las indicaciones de la **fig. 29** y conectar el conector en el alojamiento correspondiente. El Oview puede conectarse a varias Centrales simultáneamente (hasta 5 sin precauciones especiales, o hasta 60 respetando las advertencias oportunas) y puede permanecer conectado a la central durante el funcionamiento normal del automatismo. En este caso se puede utilizar para enviar directamente los mandos a la central mediante el menú específico "usuario". También se puede realizar la actualización del Firmware. Si la central incluye un radioreceptor perteneciente a la familia OXI, utilizando el Oview se puede acceder a los parámetros de los transmisores memorizados en el receptor.

Para la información detallada, consulte el manual de instrucciones correspondiente y el manual del sistema "Opera system book".

8.4 - Conexión del sistema de energía solar Solemyo

¡ATENCIÓN! - Cuando el automatismo recibe alimentación mediante el sistema "Solemyo", NO DEBE ALIMENTARSE al mismo tiempo mediante la red eléctrica.

Para más información acerca del sistema Solemyo, consulte su manual de instrucciones.

Para preparar la conexión del sistema Solemyo, siga las fases de montaje mostradas en la **fig. 30**.

Para completar la conexión entre Solemyo y la central del motorreductor, utilice el cable adaptador correspondiente.

9 MANTENIMIENTO DEL PRODUCTO

Para mantener constante el nivel de seguridad y garantizar una máxima durabilidad de todo el automatismo, es necesario llevar a cabo un mantenimiento regular.

El mantenimiento debe realizarse cumpliendo plenamente las prescripciones de seguridad contenidas en este manual y lo previsto por las leyes y normativas vigentes.

Somete el producto a revisiones frecuentes, para comprobar si hay desequilibrios de las hojas o signos de desgaste o daños en los cables. No utilice el producto si es necesario efectuar reparaciones o ajustes.

Importante - Durante las fases de mantenimiento o limpieza del producto, desconecte la central de la alimentación eléctrica y de las baterías, si están previstas.

Para los demás dispositivos incluidos en la instalación, atégase a lo previsto en los respectivos planes de mantenimiento.

Para los motorreductores WL1024C, WL1024 es necesario efectuar un mantenimiento programado antes de que transcurran 6 meses o se realicen 20.000 maniobras desde el mantenimiento anterior.

Para realizar el mantenimiento siga estas instrucciones:

- Desconecte cualquier fuente de alimentación eléctrica, incluidas las posibles baterías compensadoras;
- Compruebe el estado de deterioro de soportes y tacos de fijación con especial atención a fenómenos de erosión u oxidación de las piezas; sustituya las piezas que no ofrezcan garantías suficientes;
- Haga una prueba de desbloqueo para comprobar su correcto funcionamiento (véase el párrafo 3.8).
- Vuelva a conectar las fuentes de alimentación eléctrica y realice todas las pruebas y comprobaciones previstas en el capítulo 5.1 - Ensayo.

ELIMINACIÓN DEL PRODUCTO

Este producto constituye parte integrante del automatismo, por lo que se debe eliminar junto con él.

Al igual que para las operaciones de instalación, al final de la vida útil de este producto, las operaciones de desguace también deben ser llevadas a cabo por personal cualificado.

Este producto está formado por diversos tipos de materiales: algunos de ellos se pueden reciclar, pero otros deben eliminarse. Infórmese acerca de los sistemas de reciclaje o eliminación previstos por los reglamentos vigentes en su territorio para esta categoría de producto.

¡Atención! – Algunos componentes del producto pueden contener sustancias contaminantes o peligrosas que, si se liberan al medio ambiente, podrían tener efectos nocivos sobre el medio ambiente y sobre la salud de las personas.

Como indica el símbolo de al lado, se prohíbe desechar este producto junto con los residuos domésticos. Así pues, lleve a cabo la separación de los residuos según los métodos previstos por los reglamentos vigentes en su territorio, o entregue el producto al vendedor cuando adquiera uno nuevo equivalente.



¡Atención! – los reglamentos vigentes a nivel local pueden prever graves sanciones en caso de eliminación incorrecta de este producto.

Eliminación de la batería compensadora (si está instalada)

¡Atención! – La batería descargada contiene sustancias contaminantes y por tanto no se debe desechar junto con los residuos normales.

Es necesario eliminarla aplicando los métodos de separación de residuos previstos por las normativas vigentes en su territorio.

CARACTERÍSTICAS TÉCNICAS DEL PRODUCTO

ADVERTENCIAS: • Todas las características técnicas indicadas se refieren a una temperatura ambiente de 20°C (± 5°C). • Nice S.p.a. se reserva el derecho a modificar el producto en cualquier momento que lo considere necesario, manteniendo inalteradas sus funcionalidades y uso previsto.

Tipo: motorreductor electromecánico para la automatización de puertas y portones automáticos con motor de corriente continua, reductor planetario y desbqueo mecánico. Solo para el modelo WL1024C: central de mando incorporada y radioreceptor OXI

Par máximo: 100 Nm

Par nominal: 50 Nm

Velocidad en vacío: 0,20 rad/s - 0,3 rad/s

Velocidad con par nominal: 0,16 rad/s - 0,24 rad/s

Frecuencia máxima de los ciclos: 100 ciclos completos al día (la central de WL1024C los limita a un máximo de 50 ciclos/hora)

Tiempo máximo de ciclo continuo: 10 minutos aproximadamente

Límites de uso: el producto puede utilizarse en puertas con peso de hasta 180 kg (hoja de 0,8 m) o con longitud de la hoja de hasta 1,8 m y ángulo de apertura de hasta 110°

Alimentación: WL1024C: 230 Vca (+10% -15%) 50/60 Hz; WL1024: 24 Vcc (50%); WL1024C/V1: 120 Vca (+10% -15%) 50/60 Hz

Alimentación de emergencia: preparado para batería compensadora PS424

Alimentación por paneles solares: preparado para Kit SOLEMYO

Potencia nominal absorbida de la red eléctrica (WL1024C): 120 W

Corriente nominal absorbida (WL1024): 2 A; en el arranque la corriente es de 3 A durante un tiempo máximo de 2 s

Potencia absorbida de la red eléctrica con la función "Standby – Todo (1)" activada (incluido el radioreceptor OXI): 3 W

Potencia absorbida durante el funcionamiento con batería compensadora o KIT SOLEMYO con función "Standby-Todo (1)" activada (incluido el radioreceptor OXI): inferior a 100 mW

Salida para cerradura eléctrica [*]: una cerradura eléctrica de 12 Vca máx. 15 VA

Salida para luz intermitente [*]: una luz intermitente WLT o una lámpara 12Vcc, 21 W máx.

Salida BLUEBUS: una salida con carga máxima de 15 unidades Bluebus (máximo 6 pares de fotocélulas MOFB o MOFOB más 2 pares de fotocélulas MOFB o MOFOB direccionadas como dispositivos de apertura más un máximo de 4 dispositivos de mando MOMB o MOTB)

Entrada STOP: para contactos normalmente cerrados, normalmente abiertos o de resistencia constante de 8,2 kΩ; la selección del tipo de contacto se realiza por autoaprendizaje, y si se produce un cambio respecto al estado memorizado, se provoca el mando "STOP"

Entrada PP: para contactos normalmente abiertos (el cierre del contacto provoca el mando Paso a Paso)

Conexión radio: conector SM para receptores de la familia SMXI, OXI y OXIFM

Entrada para ANTENA Radio: 50 Ω para cable tipo RG58 o similares

Funciones programables: 4 funciones de tipo ON-OFF (Tabla 5) y 4 funciones regulables (Tabla 8)

Funciones de autoaprendizaje: • Autoaprendizaje de los dispositivos conectados a la salida BlueBus. • Autoaprendizaje del tipo de dispositivo conectado al borne "STOP" (contacto NA, NC o resistencia de 8,2 kΩ). • Autoaprendizaje de la carrera de las hojas y cálculo automático de los puntos de deceleración y apertura parcial. • Autoaprendizaje del funcionamiento con uno o dos motores

Montaje: en vertical, con una placa de fijación dedicada

Temperatura de funcionamiento: de -20°C a +50°C (con bajas temperaturas la eficiencia del motorreductor disminuye)

Uso en atmósfera particularmente ácida o salina, o potencialmente explosiva: NO

Grado de protección: IP 44 (con la carcasa en perfecto estado)

Medidas (mm): 90 x 125 x 385 h

Peso (kg): (WL1024C) 4,8; (WL1024) 4,3

Notas:

(1) - Función activable con programador Oview.

[*] - Las salidas de los bornes en la central ("Cerradura eléctrica") y en el alimentador ("Flash") se pueden reprogramar con otras funciones utilizando el programador Oview. Las características eléctricas de estas dos salidas se ajustan al tipo de función elegida:

• función "cerradura eléctrica": 12Vca, 15VA máx.;

• función "intermitente": una lámpara multifunción WLT o una lámpara a 12Vcc, 21W máx.;

• otros tipos de funciones: una lámpara o un relé a 24Vcc (-30% y +30%), 4 W máx., si el funcionamiento de la central se produce con tensión de red, o bien una lámpara o un relé a 12Vcc (-10% y +25%), 4 W máx., si el funcionamiento de la central se produce con batería compensadora PS424.

Durabilidad del producto

La durabilidad y la vida útil media del producto. El valor de la durabilidad depende en gran medida del coeficiente de desgaste de las maniobras ejecutadas por el automatismo: es decir, la suma de todos los factores que intervienen en el desgaste del producto (véase la Tabla 14).

Para determinar la durabilidad probable de su automatismo, siga estas instrucciones:

01. Calcule el coeficiente de desgaste sumando los distintos valores porcentuales incluidos en la **Tabla 14**;

02. En el **Gráfico A**, trace, desde el valor recién hallado, una línea vertical hasta cruzar la curva; desde este punto, trace una línea horizontal hasta cruzar la línea de los "ciclos de maniobras". El valor hallado es la durabilidad estimada de su producto.

La estimación de la durabilidad se realiza sobre la base de los cálculos de proyecto y de los resultados de pruebas efectuadas con prototipos. De hecho, al tratarse de una estimación, no constituye ninguna garantía sobre la durabilidad efectiva del producto.



Ejemplo de cálculo de la durabilidad de un motorreductor Walky con brazo entero (véanse la Tabla 14 y el Gráfico A): - peso de la hoja: 100 Kg; - longitud de la hoja = 1,7 m (coeficiente de desgaste: 55%); - no presenta otros elementos de desgaste; Coeficiente de desgaste total = 55%; Durabilidad estimada = 55.000 ciclos de maniobras

TABLA 14

Longitud hoja	Peso hoja	Coeficiente de desgaste	
		BRAZO DE LONGITUD ESTÁNDAR	BRAZO DE LONGITUD REDUCIDA
< 1,2 m	> 100 kg	55%	65%
	< 100 kg	30%	50%
1,2 - 1,6 m	> 80 kg	55%	65%
	< 80 kg	40%	50%
> 1,6 m	> 60 kg	55%	-
	< 60 kg	40%	-
Temperatura ambiente superior a 40°C o inferior a 0°C o humedad superior al 80%		15%	15%
Hoja ciega		15%	10%
Instalación en zona ventosa		15%	10%

DECLARACIÓN CE DE CONFORMIDAD

Nota - El contenido de esta declaración se ajusta a lo declarado en la última revisión disponible, antes de la impresión de este manual, del documento oficial depositado en la sede de Nice Spa. Este texto ha sido readaptado por motivos editoriales.

Número: 322/WL..

Revisión: 0

El infrascrito Luigi Paro, en calidad de Administrador Delegado, declara bajo su propia responsabilidad que el producto:

Nombre del fabricante:

NICE s.p.a.

Dirección:

Via Pezza Alta 13, Z.I. Rustignè, 31046 Oderzo (TV) Italia

Tipo:

Motorreductor electromecánico

Modelos:

WL1024C, WL1024

Accesorios:

OXI, OVBT, OVBTGSM, SYKCE, PS424

Es conforme a lo previsto por las siguientes directivas comunitarias:

- 98/37/CE (89/392/CEE modificada) DIRECTIVA 98/37/CE DEL PARLAMENTO EUROPEO Y DEL CONSEJO del 22 de junio de 1998 relativa a la aproximación de las legislaciones de los Estados miembros sobre máquinas
Tal y como prevé la directiva 98/37/CE, se advierte que no se permite la puesta en servicio del producto arriba indicado hasta que la máquina, en la que va incorporado el producto, haya sido identificada y declarada conforme a la directiva 98/37/CE.

Además, el producto es conforme a lo previsto por las siguientes directivas comunitarias, con las modificaciones aportadas por la Directiva 93/68/CEE del consejo del 22 de julio de 1993:

- 2006/95/CEE(ex directiva 73/23/CE) DIRECTIVA 2006/95/CE DEL PARLAMENTO EUROPEO Y DEL CONSEJO del 12 de diciembre de 2006 relativa a la aproximación de las legislaciones de los Estados miembros sobre el material eléctrico destinado a ser utilizado en determinados límites de tensión
Según las siguientes normas armonizadas:
EN 60335-1:1994+A11:1995+A12:1996+A13:1998+A14:1998+A15:2000+A2:2000+A16:2001
- 2004/108/CEE(ex directiva 89/336/CEE) DIRECTIVA 2004/108/CE DEL PARLAMENTO EUROPEO Y DEL CONSEJO del 15 de diciembre de 2004 relativa a la aproximación de las legislaciones de los Estados miembros sobre la compatibilidad electromagnética y que deroga la directiva 89/336/CEE
Según las siguientes normas armonizadas: EN 61000-6-2:2005; EN 61000-6-3:2007

Además es conforme, en referencia solo a las partes pertinentes, a las siguientes normas:

EN 60335-1:2002+A1:2004+A11:2004+A12:2006+ A2:2006, EN 60335-2-103:2003, EN 13241-1:2003; EN 12453:2002; EN 12445:2002; EN 12978:2003

Oderzo, 29 de mayo de 2009

Luigi Paro (Administrador Delegado)

Inhaltsverzeichnis

1 - HINWEISE UND ALLGEMEINE SICHERHEITSMASSNAHMEN	1
1.1 - Sicherheitshinweise	1
1.2 - Installationshinweise	1
1.3 - Gebrauchshinweise	1
2 - PRODUKTBESCHREIBUNG UND BESTIMMUNGSZWECK	1
3 - INSTALLATION	2
3.1 - Überprüfungen vor der Installation	2
3.2 - Einsatzgrenzen	2
3.3 - Installationsvorbereitung	2
3.4 - Installation des Getriebes Mod. WL1024C - WL1024	3
3.4.1 - Die Länge des Getriebeauslegers bestimmen	3
3.4.2 - Installation des Getriebes mit AUSLEGER IN STANDARDLÄNGE	3
3.4.3 - Installation des Getriebes mit AUSLEGER IN GEKÜRZTER LÄNGE	4
3.5 - Installation der Multifunktionsleuchte Mod. WLT am Getriebe Modell WL1024C WL1024C	4
3.6 - Herausnahme des Steuergerätes	5
3.7 - Einstellung der Flügelaustrichtung beim Schließen	5
3.8 - Blockieren oder Freigeben des Getriebes von Hand	5
4 - ELEKTRISCHE ANSCHLÜSSE	5
4.1 - Beschreibung der elektrischen Anschlüsse	5
4.2 - Anschluss des Versorgungskabels	5
4.3 - Installation des Getriebes ohne Steuergerät Mod. WL1024	5
4.4 - Anschluss der übrigen Vorrichtungen	6
4.5 - Adressierung der angeschlossenen Vorrichtungen	6
4.6 - Erste Einschaltung und Anschlussüberprüfung	6
4.7 - Erlernen der angeschlossenen Vorrichtungen	6
4.8 - Erlernen der mechanischen Stoppstellungen	6
4.9 - Überprüfung der Torflügelbewegung	6
5 - ENDABNAHME UND INBETRIEBNAHME	6
5.1 - Endabnahme	7
5.2 - Inbetriebnahme	7
6 - PROGRAMMIERUNG DES STEUERGERÄTES	7
6.1 - Programmierung zweites Niveau (ON-OFF)	7
6.2 - Programmierung erstes Niveau (einstellbare Parameter)	8
6.3 - Löschung des Speichers	8
6.4 - Spezielle Funktionen	8
7 - WAS TUN, WENN... (Leitfaden zur Problemlösung)	9
8 - EINGEHENDE ERKLÄRUNGEN	10
8.1 - Anschluss des Funkempfängers OXI	10
8.2 - Anschluss und Installation der Pufferbatterie Mod. PS424	10
8.3 - Anschluss des Programmierers Oview	10
8.4 - Anschluss des Solarenergiesystems Solemyo	10
9 - WARTUNG DES PRODUKTS	10
ENTSORGUNG DES PRODUKTS	11
TECHNISCHE MERKMALE DES PRODUKTS	11
Haltbarkeit des Produkts	12
EU-KONFORMITÄTSERKLÄRUNG	12
Anhang	I
Anweisungen und Hinweise für den Benutzer	VII
Bilder	X

1 HINWEISE UND ALLGEMEINE SICHERHEITSMASSNAHMEN

1.1 - Sicherheitshinweise

- **ACHTUNG!** – Das vorliegende Handbuch enthält wichtige Anweisungen und Hinweise zur Sicherheit. Eine falsche Installation kann zu schweren Verletzungen führen. Vor Arbeitsbeginn muss die ganze Gebrauchsanleitung aufmerksam durchgelesen werden. Bei Zweifeln, die Installation unterbrechen und den Kundendienst Nice um Klärung bitten.
- **ACHTUNG!** – Wichtige Anweisungen: für Wartungseingriffe und die Entsorgung des Produkts ist diese Gebrauchsanweisung sorgfältig aufzubewahren.
- **ACHTUNG!** – Nach der neusten Europäischen Gesetzgebung muss die Ausführung einer Automatiktür oder eines ebensolchen Tors den Normen der Richtlinie 2006/42/CE (vorher 98/37/EG) (Maschinenrichtlinie) und im Besonderen den Normen EN 12445; EN 12453; EN 12635 und EN 13241-1 entsprechen, durch sie wird die vorausgesetzte Konformität der Automation erklärt. In Anbetracht dessen, müssen alle Installations- und Anschlussarbeiten, die Endabnahme und Wartung des Produkts ausschließlich von zuständigen und qualifizierten Technikern durchgeführt werden!

1.2 - Installationshinweise

- Vor Installationsbeginn prüfen, ob sich das Produkt für den gewünschten Einsatz eignet (siehe "Einsatzgrenzen" Absatz 3.2 und "Technische Merkmale des Produkts"). Erweist es sich als ungeeignet, die Installation NICHT vornehmen.
- Bei allen Installations- und Wartungsarbeiten muss die Automation vom Stromnetz abgetrennt sein. Wenn die Abtrennvorrichtung vom Unterbringungsort der Automatisierung nicht zu sehen ist, muss vor Beginn der Arbeiten auf der Abtrennvorrichtung ein Schild mit der Schrift "ACHTUNG! LAUFENDE WARTUNG" angebracht werden.
- Das Steuergerät muss an eine Stromleitung mit einer sicheren Erdung angeschlossen werden.
- Das Produkt während der Installation vorsichtig handhaben, um Quetschungen, Schläge, Herunterfallen oder Berührung mit Flüssigkeiten gleich welcher Natur zu vermeiden. Das Produkt keiner Wärmequelle oder einer offenen Flamme aussetzen. All dies kann zu Beschädigungen führen und Betriebsstörungen oder gefährliche Situationen hervorrufen. Sollte dies der Fall sein, die Installation sofort abbrechen und den Kundendienst Nice verständigen.
- An keinem Teil des Produkts Änderungen vornehmen. Nicht zulässige Eingriffe verursachen nur Störungen. Für willkürliche Änderungen des Produkts übernimmt der Hersteller keine Haftung.
- Falls das zu automatisierende Tor eine Gehtür hat, muss mit einem Kontrollsystem dafür gesorgt werden, dass der Motorbetrieb bei offener Gehtür unterdrückt ist.
- Das Verpackungsmaterial des Produkts muss unter Beachtung der örtlichen Bestimmungen entsorgt werden.

1.3 - Gebrauchshinweise

- Das Produkt darf nicht von Personen (einschließlich Kinder) mit eingeschränkten körperlichen, geistigen oder wahrnehmlich gestörten Fähigkeiten oder fehlender Erfahrung oder Kenntnis benutzt werden, es sei denn, eine für ihre Sicherheit verantwortliche Person überwacht sie oder unterweist sie im Gebrauch des Produkts.
- Kinder, die sich in der Nähe der Automatisierung aufhalten, müssen beaufsichtigt werden, damit sie nicht mit der letzteren spielen.
- Kinder dürfen nicht mit den befestigten Bedieneinrichtungen spielen. Die tragbaren Bedieneinrichtungen (Fernbedienungen) gehören nicht in Kinderhände.

2 PRODUKTBESCHREIBUNG UND BESTIMMUNGSZWECK

Die Vorrichtungen, aus denen sich dieses Produkt zusammensetzt, sind zur Automatisierung eines Tors oder einer Tür mit einem oder Flügeln bestimmt. **ACHTUNG!** – Jeder andere Gebrauch als der in dieser Gebrauchsanweisung beschriebene in abweichenden Umfeldbedingungen ist als unsachgemäß anzusehen und verboten!

Der Hauptteil der Automatisierung besteht aus einem oder zwei elektromechanischen Getrieben (nach der Anzahl der Flügel, die zu automatisieren sind), ein jedes verfügt über einen Gleichstrommotor und ein Planetengetriebe. Eines der Getriebe (Mod. WL1024C) ist mit einem Steuergerät ausgerüstet, das den Betrieb regelt. Das Steuergerät besteht aus einer Karte mit eingebautem Funkempfänger für den Empfang der Befehle, die vom Sender übertragen werden. Das Steuergerät ist für den Anschluss an verschiedene Vorrichtungen der Systeme Opera, Bluebus und an das Solarenergiesystem Solemyo vorgerüstet. Wenn es vom Stromnetz gespeist wird, kann es eine Pufferbatterie aufnehmen (Mod. PS424, optionales Zubehör), die bei Stromausfall (elektrischer Blackout) dafür sorgt, dass die Automatik in den nächsten Stunden einige Manöver ausführen kann.

Bei einem Stromausfall können die Torflügel durch Entriegelung des Getriebes mit dem entsprechenden Schlüssel bewegt werden; für das Manöver von Hand siehe Kapitel 3.8.

Ein weiteres lieferbares Zubehör sind die Empfänger, die mit der Steckverbindung "SM" (SMXI, OXI, usw.) vorgerüstet sind.

Am Getriebe mit Steuergerät (Mod. WL1024C) kann die Multifunktionsleuchte Mod. WLT (siehe Kapitel 3.5) installiert werden, die als hinweisendes Blinklicht oder Notbeleuchtung, je nach Programmierung des Steuergeräts funktionieren kann. Zusätzlich kann sie durch Aktivierung eines eingebauten Lichtsensors als Dämmerungslicht benutzt werden; für die Details in der betreffenden Gebrauchsanweisung nachschlagen.

3 INSTALLATION

3.1 - Überprüfungen vor der Installation

Vor der Installation ist die Unversehrtheit der Produktbauteile, die Eignung des gewählten Modells und des Installationsortes zu prüfen.

- Prüfen, dass das gesamte zu verwendende Material in einem optimalen Zustand ist und sich für den vorgesehenen Zweck eignet.
- Prüfen, dass in der Anlage die mechanischen Arretierungen sowohl bei der Schließung als auch bei der Öffnung am Boden (gehören nicht zum Lieferumfang) vorhanden sind.
- Prüfen, ob sich der mechanische Aufbau des Tors für eine Automatisierung eignet und den gesetzlichen Bestimmungen des betreffenden Landes entspricht (ggf. die Daten des Toraufklebers zu Hilfe nehmen). Ein nicht bereits effizientes und sicheres Tor kann mit diesem Produkt nicht automatisiert werden. Darüber hinaus kann es keine Mängel beseitigen, die durch eine falsche Installation des Tors oder seine vernachlässigte Wartung verursacht wurden.
- Prüfen, ob die Betriebsbedingungen der Vorrichtungen mit den erklärten Einsatzgrenzen kompatibel sind (siehe Absatz 3.2).
- Von Hand die Torflügel in beide Richtungen bewegen, sich dabei vergewissern, dass die Bewegung mit einer konstanten Reibung über den gesamten Torlauf erfolgt (es dürfen keine Stellen vorhanden sein, die einen geringeren oder stärkeren Kraftaufwand verlangen).
- Von Hand die Torflügel in eine beliebige Stellung bringen, sie anhalten und sicher stellen, dass sie sich nicht bewegen.
- Prüfen, ob der Befestigungsbereich des Getriebes für den Platzbedarf des letzteren ausreicht (Abb. 1).
- Im Umfeld, in dem das Getriebe installiert wird, muss ausreichend Platz für die komplette Rotation seines Auslegers sein (siehe Abb. 7).
- Sich vergewissern, dass in Getriebehöhe ausreichend Platz für die Entriegelung des Getriebes von Hand vorhanden ist.
- Sich vergewissern, dass die Oberflächen, die für die Installation der einzelnen Vorrichtungen gewählt wurden, solide sind und eine stabile Befestigung gewährleisten.
- Prüfen, ob jede Vorrichtung, die installiert wird, sich in einer geschützten Stellung befindet und vor Schlägen sicher ist.
- Prüfen, dass alle Elektrokabel, die benutzt werden, den Angaben der Tabelle 1 entsprechen.

3.2 - Einsatzgrenzen

Vor der Installation des Getriebes, prüfen, dass seine Daten innerhalb der nachfolgend aufgeführten Einsatzgrenzen liegen und innerhalb der Werte des Kapitels "Technische Merkmale des Produkts" bleiben:

Bei VOLLER Länge des Motorauslegers (werkseitig):

- maximale Breite des Flügels: 1,80 m (= Höchstgewicht des Flügels : 100 kg)
- maximale Höhe des Flügels: 2 m

Bei REDUZIERTER Länge des Motorauslegers (vom Installateur gekürzt):

- maximale Breite des Flügels: 1,60 m (= Höchstgewicht des Flügels: 100 kg)
- maximale Höhe des Flügels: 2 m

- Folgende Prüfung vornehmen: Das Gewicht und die Breite des Flügels in der

Grafik 1 eintragen, von diesen zwei Punkten zwei Linien ziehen, die sich in einem der zwei grauen Felder der Grafik kreuzen müssen. **Achtung!** - Wenn sich die Linien im weißen Feld kreuzen, kann dieses Produkt nicht für die Automatisierung des betreffenden Tors verwendet werden

- Zur Installation des Getriebes muss die Breite des Pfeilers **mindestens** 80 mm betragen.

- Der Ausleger des Getriebes muss im **oberen Teil** des Torflügels untergebracht sein;

ACHTUNG! - Das Getriebe in umgekehrter Stellung, mit dem Ausleger nach unten, zu montieren, ist verboten.

- Der Befestigungsbügel des Auslegers muss sich zur Gewährleistung einer soliden und sicheren Befestigung in einem robusten Bereich des Flügels befinden (zum Beispiel am Rahmen);

- Das **Maß "E"** (Abb. 7) prüfen:

- Wenn das **Maß "E"** ein Wert zwischen 80 mm (mindestens) und 299 mm (maximal) ist, muss der Ausleger des Getriebes gekürzt werden. Unter diesen Bedingungen kann sich der Flügel bis maximal 90° öffnen.

- Wenn das **Maß "E"** ein Wert von 300 mm oder darüber ist, muss der Ausleger des Getriebes nicht gekürzt werden. Unter diesen Bedingungen kann sich der Flügel bis maximal 110° öffnen.

3.3 - Installationsvorbereitung

Die **Abb. 2** zeigt das Beispiel einer Automatisierungsanlage mit Bauteilen **Nice** (einige Komponenten können **auch nicht** im Bausatz enthalten sein):

a - Getriebe mit Steuergerät Mod. WL1024C

b - Getriebe ohne Steuergerät Mod. WL1024

c - Multifunktionsleuchte Mod. WLT (am Getriebe mit Steuergerät Mod. WL1024C zu installieren); siehe Kapitel 3.5 und die eigene Gebrauchsanweisung

d - Lichtschrankenpaar Mod. MOFB

e - Digitale Tastatur (Mod. MOTB) - Transponder (Mod. MOMB) - Schlüsselwahlschalter (Mod. MOSE)

f - Säulenpaar für Fotozellen

g - Mechanische Arretierungen in Öffnung und Schließung

h - Elektroschloss

Diese Komponenten sind nach einem typischen und gebräuchlichen Plan angebracht. Unter Bezugnahme auf die **Abb. 2**, die annähernde Stellung festlegen, in der jedes Bauteil der Anlage installiert werden soll. **Wichtig** - Vor der Installation, die für Ihre Anlage notwendigen Stromkabel vorbereiten, dabei auf die **Abb. 2a** und die **"Tabelle 1 - Technische Merkmale der Elektrokabel"** Bezug nehmen.

Achtung - Während der Rohrverlegung für den Kabelverlauf ist zu berücksichtigen, dass durch mögliche Wasserreste in den Abzweigschächten die Anschlussrohre eine Kondensatbildung im Steuergerät hervorrufen können, die zu einer Beschädigung der elektronischen Schaltkreise führt.

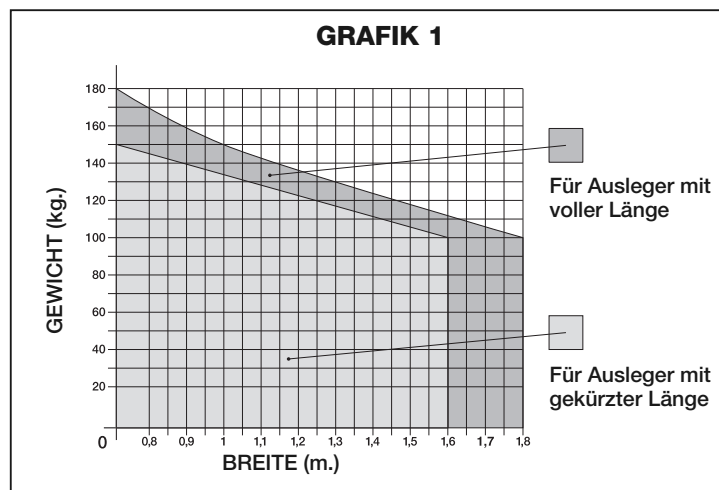


TABELLE 1 - Technische Merkmale der Elektrokabel

Anschluss	Kabelart	zulässige Gesamtlänge
A: VERSORGUNGSKABEL	1 Kabel 3 x 1,5 mm ²	30 m (Hinweis 1)
B: ELEKTROSCHLOSSKABEL	1 Kabel 2 x 1 mm ²	6 m
C: Kabel BLUEBUS-VORRICHTUNGEN	1 Kabel 2 x 0,5 mm ²	20 m (Hinweis 2)
D: Kabel SCHLÜSSELWAHLSCHALTER	2 Kabel 2 x 0,5 mm ² (Hinweis 3)	50 m
E: Kabel GETRIEBEVERSORGUNG	1 Kabel 3 x 1,5 mm ²	6 m
Kabel AUSSENANTENNE (optional)	1 abgeschirmtes RG 58-Kabel	20 m (empfohlen werden weniger als 5 m)

Hinweis 1 - Wenn das Versorgungskabel länger als 30 m ist, muss ein Kabel mit einem größeren Querschnitt (3 x 2,5 mm²) verwendet und eine Sicherheits-erdung in der Nähe der Automatisierung installiert werden.

Hinweis 2 - Wenn das Bluebus-Kabel länger als 20 m bis maximal 40 m ist, muss ein Kabel mit einem größeren Querschnitt (2 x 1 mm²) verwendet werden.

Hinweis 3 - Diese 2 Kabel können durch 1 einziges Kabel mit 4 x 0,5 mm² ersetzt werden.

ACHTUNG! - Die benutzten Kabel müssen den Umfeld, in dem die Installation erfolgt, angeghen sein.

3.4 - Installation des Getriebes Mod. WL1024C - WL1024

HINWEISE

- Eine falsche Installation kann zu schweren Verletzungen der Person, die die Arbeit ausführt und Personen, die die Anlage benutzen, führen.
- Vor Beginn der Montage der Automatisierung, die im Absatz 3.1 und 3.2 beschriebenen Prüfungen vornehmen.
- Die gelieferte Standardlänge des Getriebeauslegers kann gekürzt werden. Eine geringere Länge kann dann angezeigt sein, wenn sich neben dem Getriebe ein festes Hindernis befindet (Mauer, Pfahl, usw.), das die komplette Auslegerbewegung behindert. Daher muss man, um festzustellen, ob die Länge des Auslegers gekürzt werden muss, vor der Installation den Vorgang 3.4.1 durchführen.

Die Bauteile, die den Ausleger des Motors bilden, zusammenbauen, dabei auf die **Abb. 3** Bezug nehmen. Den Benzingring in dieser Phase nicht einsetzen (**Abb. 4**). **WICHTIG** - Wie in der **Abb. 5** gezeigt, muss der gebogene Ausleger mit der Biegung auf den Torflügel zeigen.

3.4.1 - Die Länge des Getriebeauslegers bestimmen

01. Die Stellung des Getriebes in VERTIKALER Richtung festlegen:

auf der gleichen Höhe, auf der sich nach der Installation der Befestigungsbügel des Auslegers auf dem Flügel befinden wird, eine horizontale Linie auf dem Pfeiler ziehen.

02. Die Stellung des Getriebes in HORIZONTALER Richtung festlegen:

a) **Die maximale Öffnung des Flügels festlegen:** den maximalen Öffnungswinkel bestimmen (maximal 110°).

b) **Das Maß B messen und das Maß A bestimmen:**

1 - Das **Maß B** auf der Säule messen (**Abb. 5**). Dies ist der Abstand zwischen dem Drehpunkt des Flügels und der Oberfläche der Säule, an der der hintere Bügel des Getriebes befestigt wird.

2 - Auf der **Grafik 2A** das so eben gefundene **Maß B** eintragen und von diesem Punkt eine vertikale Linie ziehen, bis sie den **Bereich** kreuzt, der den im Punkt **a** gemessenen Winkel beinhaltet.

3 - An den Schnittpunkten der vertikalen Linie und dem Bereich bis zur Spalte "A" horizontale Linien ziehen, um die benutzbaren Werte für das **Maß A** zu bestimmen. **Unter diesen Werten einen möglichst niedrigen Wert A wählen.**

4 - Den Wert des **Maßes A** auf der Säule eintragen und davon ausgehend eine vertikale Linie ziehen (**Abb. 6**).

5 - **Wenn sich in der Nähe der vertikalen Linie eine Mauer oder ein anderes festes Hindernis befindet, den Abstand zwischen Linie und Hindernis messen (Abb. 7): dieser Abstand ist das Maß E.**

ACHTUNG!

• **Wenn das Maß E ein Wert zwischen (mindestens) 80 mm und (maximal) 299 mm ist, die Installation mit dem Ablauf 3.4.3 fortsetzen.**

• **Wenn das Maß E genau 300 mm beträgt oder darüber liegt, die Installation mit dem Ablauf 3.4.2 fortsetzen.**

5 - Das Getriebe mit dem entsprechenden Schlüssel entriegeln (siehe Kap. 3.8).

3.4.2 - Installation des Getriebes mit AUSLEGER IN STANDARDLÄNGE

Achtung! - Diese Installation kann erst nach dem Beenden des Vorgangs 3.4.1 durchgeführt werden.

01. Das Getriebe an der Säule befestigen (Abb. 8):

a) Das Getriebe an der Säule (*) anlegen, dabei muss seine vertikale Mittellinie mit der zuvor gezogenen vertikalen Linie (Maß A) und sein Ausleger mit der während des Vorgangs 3.4.1 gezogenen horizontalen Linie übereinstimmen. Bei dieser Phase muss man prüfen, dass das Getriebe vollkommen nivelliert ist: ein schief sitzendes Getriebe kann Störungen des Automatikbetriebs hervorrufen.

(*) **Hinweis** - Wenn die Säulenoberfläche zwischen 80 und 135 mm liegt, muss man den hinteren Befestigungsbügel um 90° drehen und kann erst dann die Installation fortsetzen. Zum Drehen des Bügels siehe **Abb. 9**.

b) Die Bohrpunkte markieren, die Säulenfläche bohren und die Dübel einstecken; an diesem Punkt das Getriebe mit den entsprechenden Schrauben und Unterlegscheiben befestigen.

02. Den Ausleger des Getriebes am Flügel befestigen (Abb. 8):

c) Den Torflügel in die Stellung der maximalen Schließung bringen;

d) Den Getriebeausleger **bis zu seiner maximalen Streckung** kräftig drücken. **Achtung!** - **Sich vergewissern, dass der Ausleger an seinem Endanschlag anhält;**

e) Den Ausleger dem Flügel nähern und den Befestigungsbügel am letzteren anlegen.

f) Sich vergewissern, dass sich der Getriebeausleger in der Waage befindet und mit einem Bleistift **die Mitte des Langlochprofils** des Bügels für eine spätere Feineinstellung der Flügelschließung markieren (siehe Absatz 3.7).

g) Den Bügel mit der Hand in Kontakt mit dem Flügel halten und eine vollständige Öffnung und Schließung bis zu den betreffenden mechanischen Arretierungen versuchen. **Achtung!** - **Wenn die Bewegung des Auslegers während der Probe durch eine Mauer oder einen anderen festen Gegenstand behindert wird, den Vorgang unterbrechen und den Vorgang und den Ablauf 3.4.3 durchführen.**

h) Den Flügel an den markierten Punkten bohren, den Bügel vom Ausleger nehmen und mit passenden Schrauben am Torflügel befestigen.

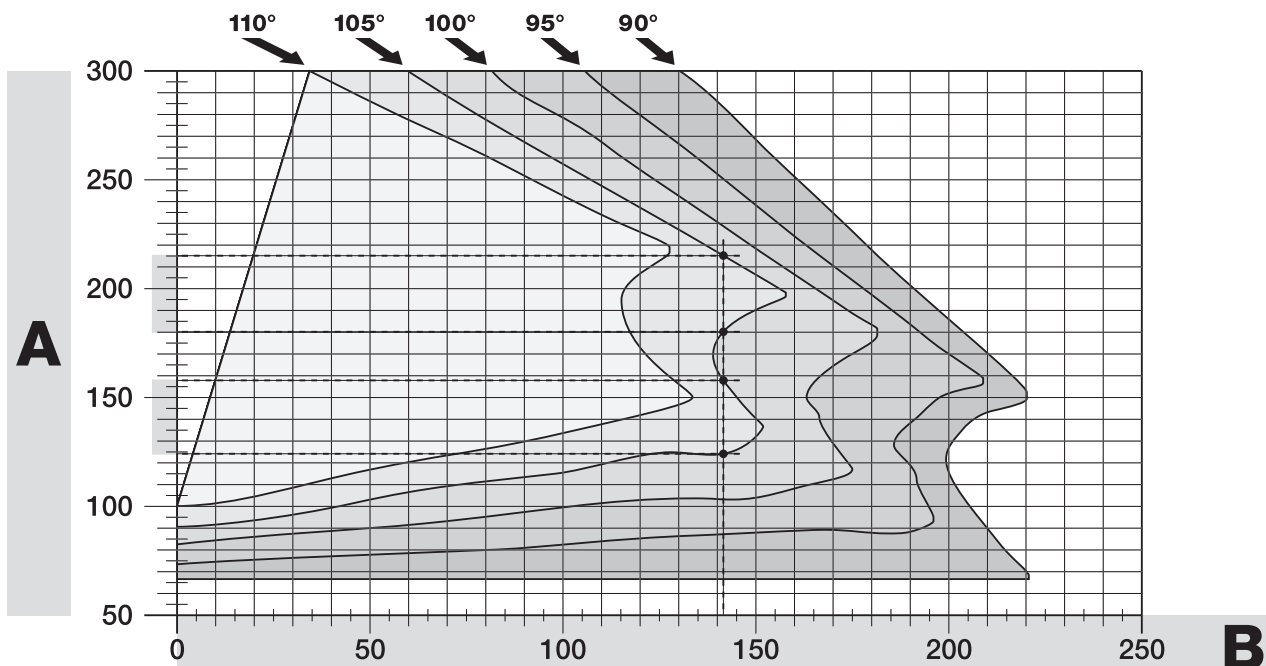
i) Durch Einsetzen des Stiftes und des Benzingringes den Ausleger am Bügel befestigen. Wichtig - Prüfen, dass sich der Bügel und der Ausleger vollkommen in der Waage befinden. Gegebenenfalls die Schrauben des Bügels für das Einstellen lockern. Diese Überprüfung kann auch mit Messen des Maßes 75 mm erfolgen (siehe **Abb. 8** Phase 2).

l) Die Arretierungen der Endanschläge stabil und endgültig in der gleichen Stellung wie zu Beginn des Vorgangs am Boden befestigen. **Achtung!** - Prüfen, dass der Flügel vollkommen am Endanschlag schließt. (gehört nicht zum Lieferumfang).

m) Zuletzt den Flügel von Hand die Hälfte seiner Strecke zurücklegen lassen und das Getriebe mit dem entsprechenden Schlüssel blockieren (siehe Kap. 3.8). Anschließend den Flügel um wenige Zentimeter in Richtung der Öffnung schieben.

03. Wenn das Tor, das automatisiert werden soll, zwei Flügel hat, sind alle in diesem Kapitel 3.4 beschriebenen Arbeiten mit dem anderen Getriebe zu wiederholen.

GRAFIK 2A



3.4.3 - Installation des Getriebes mit AUSLEGER IN GEKÜRZTER LÄNGE

Achtung! - Diese Installation kann erst nach dem Beenden des Vorgangs 3.4.1 durchgeführt werden.

01. Eine neue maximale Öffnung des Flügels (maximal 90°) festlegen: ohne dabei die maximale Öffnung des Torflügels, die während des Vorgangs 3.4.1 festgelegt wurde, zu berücksichtigen. Den Flügel in eine neue maximale Stellung bringen, darauf achten, dass der Winkel 90° nicht überschreitet. Dann den Flügel in dieser Stellung mit einer **provisorisch befestigten Arretierung am Boden blockieren**.

02. Die Maße A - B - C festlegen:

a) Das **Maß B** auf der Säule messen (**Abb.10**). Dies ist der Abstand zwischen dem Drehpunkt des Flügels und der Oberfläche der Säule, an der der hintere Bügel des Getriebes befestigt wird.

b) - Auf der **Grafik 2B** das so eben gefundene **Maß B** eintragen und von diesem Punkt eine vertikale Linie ziehen.

c) An der Säule den Wert des **Maßes A** festlegen, an dieser Stelle wird der hintere Bügel des Getriebes befestigt (siehe **Abb. 11**). **Wichtig!** - **Einen möglichst niedrigen Wert A wählen, um den Motor vom Hindernis zu entfernen.**

d) Auf der **Grafik 2B** das so eben gefundene **Maß A** eintragen und von diesem Punkt eine horizontale Linie ziehen bis sie die zuvor gezogene vertikale Linie kreuzt. Der Schnittpunkt der zwei Linien bildet das **Maß C**, dies ist der Abstand, der zwischen den zwei Stiften des Auslegerlanglochs vorhanden sein muss (**Abb. 12**). Ein Beispiel ist in der **Grafik 2B** zu sehen: wenn der Wert **B** 105 mm entspricht und **A** 143 mm ist, ist der Punkt **C** 182.

03. Das Getriebe an der Säule befestigen (Abb. 13):

a) Das Getriebe an der Säule (*) anlegen, dabei muss seine vertikale Mittellinie mit der zuvor gezogenen vertikalen Linie (Maß A) und sein Ausleger mit der während des Vorgangs 3.4.1 gezogenen horizontalen Linie übereinstimmen. Bei dieser Phase muss man prüfen, dass das Getriebe vollkommen nivelliert ist: ein schief sitzendes Getriebe kann Störungen des Automatikbetriebs hervorrufen.

(*) **Hinweis** - Wenn die Säulenoberfläche zwischen 80 und 135 mm liegt, muss man den hinteren Befestigungsbügel um 90° drehen und kann erst dann die Installation fortsetzen. Zum Drehen des Bügels siehe **Abb. 8**.

b) Die Bohrpunkte markieren, die Säulenfläche bohren und die Dübel einstecken; an diesem Punkt das Getriebe mit den entsprechenden Schrauben und Unterlegscheiben befestigen.

04. Die Länge des Auslegers mit Langloch kürzen (Abb. 14):

a) Zum Kürzen der Länge des Auslegers mit Langloch am **Maß C** (das am Punkt 02-d gefunden wurde), die Mutter ausschrauben, die Arretierung wegnehmen, die zwei Stifte entsprechend dem Maß C auseinander rücken und die Mutter **provisorisch schließen**.

05. Das Maß C des Auslegers mit Langloch diesbezüglich kontrollieren (Abb. 15 - 16):

a) Den Torflügel in die Stellung der maximalen Schließung bringen;

b) Den Ausleger des Betriebes bis zu seinem maximalen Öffnungswinkel vollständig öffnen (siehe **Abb. 15, Phase 1**);

c) Den Ausleger dem Flügel nähern und den Befestigungsbügel am letzten anlegen: **Achtung!** - **mit den Händen, den gerundeten Ausleger gegen den Flügel drücken, bis der Ausleger blockiert ist (maximale Öffnung - siehe Abb. 15, Phase 1a).**

d) Sich vergewissern, dass sich der Getriebeausleger in der Waage befindet und mit einem Bleistift **die Mitte** des Langlochprofils des Bügels für eine spätere Feineinstellung der Flügelschließung markieren (siehe Absatz 3.7).

e) Den Bügel provisorisch am Flügel befestigen den Flügel in die maximale Öffnungsstellung gegen die Arretierung am Boden bringen.

f) Mit dem Flügel in dieser Stellung, die in der **Abb. 16** gezeigte Überprüfung vornehmen (über den zwei Stiften des Auslegers mit Langloch einen durchgehenden Faden spannen, der bis zur Flügelangel reicht). **Achtung!** - Wenn sich im Vergleich zur **Angel** der Faden in der Stellung "BB" der **Abb. 16** befindet, muss das **Maß C** um einige Millimeter **verlängert** werden. Dieser Vorgang muss so lange wiederholt werden, bis sich der Faden in der Stellung "AA" der **Abb. 16** befindet und der Ausleger nicht mehr gegen die Mauer oder ein anderes festes Hindernis schlägt.

06. Den Ausleger mit Langloch kürzen (Abb. 17):

Nach dem der ordnungsgemäße Betrieb des Gelenks geprüft wurde, den Ausleger mit Langloch wie folgt schneiden.

a) Genau in der Stellung, die in der **Abb. 23**, Phase 1 gezeigt wird, auf dem Ausleger mit Langloch eine Linie ziehen. Dann den Ausleger vom Bügel abnehmen und den unnötigen Teil des Auslegers abschneiden.

b) Die Bauteile des Auslegers wieder zusammenbauen (**Abb. 3**).

07. Den Ausleger des Getriebes am Flügel befestigen (Abb. 18):

a) Den Flügel an den zuvor markierten Punkten bohren.

b) Den Bügel vom Ausleger abnehmen und mit passenden Schrauben am Torflügel befestigen.

c) Durch Einsetzen des Stiftes und des Benzingerings den Ausleger am Bügel befestigen. **Wichtig** - Prüfen, dass sich der Bügel und der Ausleger vollkommen in der Waage befinden. Gegebenenfalls die Schrauben des Bügels für das Einstellen lockern. Diese Überprüfung kann auch mit Messen des Maßes 75 mm erfolgen (siehe **Abb. 8** Phase 2).

d) Die Arretierungen der Endanschläge stabil und endgültig in der gleichen Stellung wie zu Beginn des Vorgangs am Boden befestigen.

Achtung! - Prüfen, dass der Flügel vollkommen am Endanschlag schließt. Für eine Feineinstellung der Schließung siehe Absatz 3.7.

e) Zuletzt den Flügel von Hand etwa die Hälfte seiner Strecke zurücklegen lassen und das Getriebe mit dem entsprechenden Schlüssel blockieren (siehe Kap. 3.8) Anschließend den Flügel um wenige Zentimeter in Richtung der Öffnung schieben.

08. Wenn das Tor, das automatisiert werden soll, zwei Flügel hat, sind alle in diesem Kapitel 3.4 beschriebenen Arbeiten mit dem anderen Getriebe zu wiederholen.

3.5 - Installation der Multifunktionsleuchte Mod. WLT am Getriebe Modell WL1024C

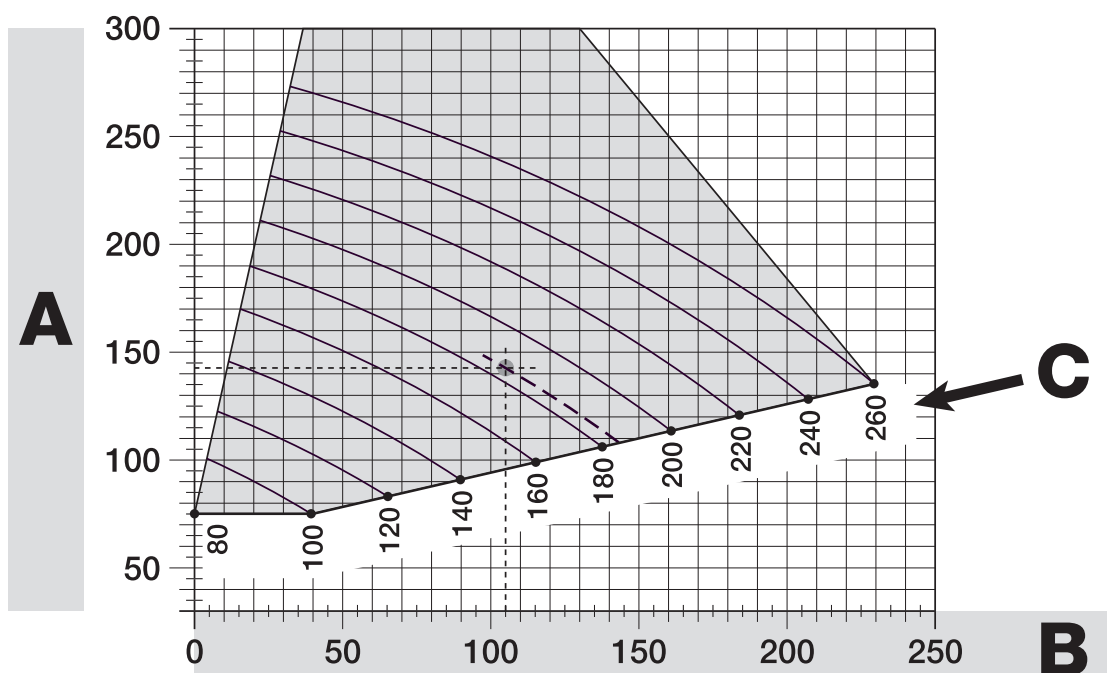
Hinweis - WLT kann als Blinklicht oder als Notbeleuchtung eingesetzt werden, je nach Programmierung der Steuereinheit.

Den Installationsphasen, die in den **Abb. 21** gezeigt werden folgen, dabei die angegebene Reihenfolge und folgende Hinweise beachten:

• Für die Phase 4 - Das Netzgerät in Pfeilrichtung drehen, dabei auf die darunter befindlichen Kabel achten, die es an das Getriebe anschließen.

• Für die Phase 7 - Die Kabel gut ausziehen und den Steckverbinder, wie gezeigt, in den Ausgang FLASH stecken; die Kabel durch Einstecken in die Kabelklemme befestigen.

GRAFIK 2B



- **Für die Phase 11** – Die elektrische Karte muss je nach gewünschter Funktion auf dem Stift des Unterteils positioniert werden: **A** = verteiltes Licht; **B** = Lichtstrahl in eine Richtung (in diesem Fall kann der Lichtstrahl ausgerichtet werden, in dem man die Karte in eine der vorgerüsteten Bohrungen auf dem Unterteil steckt).
- **Für die Phase 12** – Die Kabel gut ausziehen, den überstehenden Teil abschneiden und die Kabel so anbringen, dass sie keinen Schatten auf die Leds und auf den Lichtsensor auf der Rückseite der elektrischen Karte werfen.
- **Für die Phase 13** – Der Pfeil auf dem Deckel und der Pfeil auf dem Unterteil müssen übereinstimmen. Sich vergewissern, dass die 4 Zähne auf dem Unterteil in die Innennuten des Deckels eintreten.

Hinweis – Wenn die Multifunktionslampe WLT nicht im oberen Teil des Getriebes "Walky" installiert wird, muss sie, wie im Absatz 4.1 "Beschreibung der elektrischen Anschlüsse" beschrieben, an die Klemme ELS angeschlossen werden.

3.6 - Herausnahme des Steuergerätes

01. Den unteren Deckel des Getriebes abnehmen (**Abb. 19 Phase 1-2**);
02. Die 4 Schrauben der Kabeldurchlasshalterung herausdrehen und sie abnehmen (**Abb. 24 Phase 1-2**);
03. Das Steuergerät etwa 4 Zentimeter in Pfeilrichtung ziehen und den Verbinder des Motors abtrennen (**Abb. 24 Phase 3-4**);
04. Zuletzt das Steuergerät ganz herausziehen.

Achtung! - Beim Neuanschluss des Motors an das Steuergerät auf die Polarität des Verbinders achten (er kann nur in eine Richtung eingesetzt werden!).

3.7 - Einstellung der Flügelausrichtung beim Schließen

01. Den Ausleger mit Langloch vom Befestigungsbügel am Flügel abnehmen;
02. Die Schrauben des Bügels lockern und ihn um einige Millimeter in Richtung Getriebe verschieben;
03. Den Ausleger mit Langloch wieder in den Bügel stecken, den Flügel schließen und prüfen, dass er auf den anderen Flügel ausgerichtet ist und die Arretierung des Endanschlags berührt. **Achtung!** - Falls erforderlich, den Punkt 02 so lange wiederholen bis eine optimale Ausrichtung erreicht ist;
04. In Übereinstimmung mit der Bohrung in der Mitte des Befestigungsbügels am Flügel eine Bohrung ausführen und eine Schraube einsetzen. Dann den Bügel mit den drei Schrauben definitiv befestigen;
05. Durch Einsetzen des Stiftes und des Benzingerings den Ausleger mit Langloch am Bügel befestigen.

3.8 - Blockieren oder Freigeben des Getriebes von Hand

Das Getriebe besitzt ein mechanisches Entriegelungssystem, mit dem sich das Tor von Hand öffnen und schließen lässt.

Diese Handabläufe sind bei Stromausfall, Betriebsstörungen oder während der Installation zu benutzen.

Entriegeln (**Abb. 22-A**):

01. Die Klappe hochschieben;
02. Den Schlüssel in den betreffenden Entriegelungsstift stecken.
03. Mit dem Schlüssel im Uhrzeigersinn eine komplette Drehung ausführen.
04. Jetzt kann man den Torflügel von Hand in die gewünschte Stellung bringen.

Verriegeln (**Abb. 22-B**):

01. Den Schlüssel auf dem Entriegelungsstift gegen den Uhrzeigersinn drehen und den Flügel von Hand bewegen bis das metallene Einhängegeräusch des Flügels am Zugmechanismus zu hören ist.
02. Den Schlüssel vom Stift nehmen und die Klappe wieder schließen

4 ELEKTRISCHE ANSCHLÜSSE

Der elektrische Anschluss der einzelnen Vorrichtungen (Fotozellen, digitale Tastaturen, Lesegerät für Transponderausweisarten, usw.) die in der Automatisierung mit Steuergerät vorhanden sind, erfolgt mit dem "Bluebus"-System von Nice. Dieses System erlaubt die elektrischen Anschlüsse mit Hilfe von nur 2 Leitern, auf denen die elektrische Versorgung und die Kommunikationssignale weitergeleitet werden. Der verwendete elektrische Anschluss muss parallel sein, eine Polarität muss dabei nicht beachtet werden. Während der Lernphase wird jede an das Steuergerät angeschlossene Vorrichtung durch einen eindeutigen Code einzeln von dieser erkannt. Immer wenn eine Vorrichtung hinzukommt oder abgetrennt wird, muss das Steuergerät diese lernen (siehe Absatz 4.7).

4.1 - Beschreibung der elektrischen Anschlüsse (**Abb. 23**)

M1	Ausgang des Getriebes 1
ELS	Ausgang für Elektroschloss mit 12 Vac (maximal 15 VA). [*]. Der ELS-Ausgang kann über den Programmierer Oview für andere Funktionen programmiert werden (zum Beispiel Blinklicht, Notbeleuchtung usw.) (siehe Kapitel 8.3).
BLUEBUS	Eingang für kompatible Vorrichtungen (MOFB, MOFOB, MOB, MOTB usw.). Die Vorrichtungen haben einen parallelen Ansch-

luss mit 2 Leitern, über die sowohl die Stromversorgung als auch das Kommunikationssignal geht, eine Polarität muss beim Anschließen nicht beachtet werden. Durch eine eindeutige Adresse, die während der Installation zugewiesen wird, kann jede Vorrichtung vom Steuergerät einzeln erkannt werden (siehe Absatz 4.7)

STOP

Eingang für Vorrichtungen, deren Eingriff das sofortige Abbrechen des laufenden Manövers mit einer anschließenden kurzen Umkehrung bewirkt; möglicher Anschluss von NA- oder NC-Kontakten oder Vorrichtungen mit einem Ausgang mit konstantem Widerstand von 8,2 k Ω (resistive Kontaktleiste). Jede an diesem Eingang angeschlossene Vorrichtung wird vom Steuergerät während der Lernphase einzeln erkannt (Absatz 4.7); wenn das Steuergerät nach dieser Phase eine Abweichung vom erlernten Status feststellt, verursacht es ein ANHALTEN. An diesem Eingang können eine oder mehrere auch unterschiedliche Vorrichtungen angeschlossen werden:

- parallel mehrere NA-Vorrichtungen ohne Mengenbegrenzung anschließen;
- mehrere NC-Vorrichtungen ohne Mengenbegrenzung serienmäßig anschließen;
- parallel 2 Vorrichtungen mit Ausgang mit konstantem Widerstand 8,2 k Ω anschließen. Sind es mehr als 2 Vorrichtungen müssen sie als Kaskade mit 1 einzigen Abschlusswiderstand von 8,2 k Ω angeschlossen werden.
- die 2 NA- und NC-Vorrichtungen parallel anschließen, dabei serienmäßig am NC-Kontakt einen Widerstand mit 8,2 k Ω einsetzen (dieser ermöglicht auch die Kombination zwischen 3 NA - NC-Vorrichtungen und 8,2 k Ω).

Schrittbetrieb Eingang für Bedieneinrichtungen, deren Eingriff ein Manöver im Schrittmodus bewirkt; Anschluss von NA-Kontakten möglich.

ANTENNE Antenneneingang eines Funkempfängers

4.2 - Anschluss des Versorgungskabels

HINWEIS: an der Versorgungsleitung muss eine Vorrichtung vorhanden sein, die eine vollständige Abtrennung der Automatisierung vom Netz gewährleistet. Diese Abtrennvorrichtung muss Kontakte haben, deren Öffnungsweite unter den Bedingungen der Überspannungskategorie III die vollständige Abtrennung, den Installationsvorschriften entsprechend, gewährleistet. Im Notfall garantiert diese Vorrichtung eine schnelle und sicher Abtrennung der Versorgung; daher muss sie sichtbar nahe der Automatisierung untergebracht sein. Sollte sie sich nicht im Sichtbereich befinden, muss sie über ein System verfügen, dass zum Vermeiden einer jeden Gefahr eine versehentliche und unbefugte Wiederherstellung der Versorgung nicht erlaubt. Diese Abtrennvorrichtung gehört nicht zum Lieferumfang des Produkts.

ACHTUNG!

- Die Anschlussarbeiten müssen ausschließlich durch qualifiziertes Personal ausgeführt werden.
- Alle elektrischen Anschlüsse müssen bei unterbrochener Stromversorgung und abgetrennter Pufferbatterie, falls in der Automatisierung vorhanden, durchgeführt werden.

01. Für den Zugriff auf das Netzgerät, die 3 Schrauben auf dem oberen Deckel des Getriebes herausdrehen und den Deckel langsam in Pfeilrichtung drehen (**fig. 24**), dabei auf die darunter befindlichen Kabel achten.
02. Den Erd- und Nullleiter an der Klemmleiste des Netzgerätes anschließen, dabei auf die Angaben auf dem Aufkleber achten; die Öse des Erdleiters mit der Schraube befestigen (**Abb. 25**); **Achtung!** - das Kabelendstück auf die Öffnung richten, aus der das Versorgungskabel austritt.
03. Anschließend das Versorgungskabel so in Richtung Steuergerät ziehen, dass seine Länge gerade ausreicht, um das Netzgerät zu drehen und den Deckel wieder zu schließen;
04. Den Deckel des Netzgerätes wieder schließen; die Schrauben der Kabelklemme festziehen; das Steuergerät in seiner Aufnahme unterbringen; die Kabeldurchlasshalterung wieder montieren.

Achtung! - Den Deckel des Netzgerätes wieder mit allen Schrauben verschließen und prüfen, ob sich die Dichtung ordnungsgemäß in ihrer Stellung befindet. Das Fehlen einer Schraube oder der Dichtung kann die internen Schaltkreise beeinträchtigen.

4.3 - Anschluss des Getriebes ohne Steuergerät Mod. WL1024

01. Wie in **Abb. 19** gezeigt, den unteren Deckel des Getriebes ohne Steuergerät abnehmen, Phase 1-2;
02. Mit einem Sternschraubenzieher die 4 Schrauben der Kabeldurchlasshalterung (**Abb. 20**) herausdrehen und sie abnehmen (**Achtung!** - die 2 Abstandhalter dürfen nicht verloren gehen).
03. Die zwei Schrauben der Kabelklemme lockern (**Abb. 20**, Phase 6) und das Anschlusskabel durchziehen; die 3 Kabel unter Beachtung der Symbole auf dem Schild an der Klemmleiste befestigen; zuletzt die Schrauben der Kabelklemme anziehen.
04. Mit einem Inbusschlüssel die 2 Füße im Getriebe so einstellen, dass sie ganz auf der Säule aufliegen (**Abb. 20**, Phase 7).
05. Den Rand der Kabeldurchlasshalterung abschneiden (**Abb. 20**, Phase 8); die 2 Abstandhalter wieder anbringen; die Kabeldurchlasshalterung wieder montieren (**Abb. 20**, Phase 9) und den unteren Deckel des Getriebes wieder anbringen (**Abb. 20**, Phase 10).

4.4 - Anschluss der übrigen Vorrichtungen

Wenn noch weitere Vorrichtungen in der Anlage versorgt werden sollen, zum Beispiel ein Lesegerät für Transponderausweiskarten oder die Beleuchtung für den Schlüsselwählschalter, kann man diese Vorrichtungen am Steuergerät an den Klemmen "Schrittbetrieb (positiv)" und "STOP (negativ)" anschließen (Abb. 26). Die Versorgungsspannung geht von 18 bis 31 Vdc mit Betrieb bei Netzspannung oder Solemlyo von etwa 11 bis 14 Vdc mit Betrieb durch Pufferbatterie PS424. Der verfügbare Höchststrom beträgt 200 mA.

Anmerkung – Die an den Klemmen "Schrittbetrieb" und "STOP" verfügbare Spannung bleibt auch dann vorhanden, wenn auf der Karte die Funktion "Standby" aktiviert wird.

4.5 - Adressierung der Fotozellen und der anderen Blue-Bus-Vorrichtungen

Damit das Steuergerät die Fotozellen, die an die BLUEBUS-Klemme angeschlossen sind, erkennt, muss die Adressierung vorgenommen werden: wie in der Abb. 31 gezeigt, die elektrische Überbrückung einer jeden Vorrichtung ordnungsgemäß positionieren.

Zur Adressierung der übrigen Vorrichtungen, in den entsprechenden Gebrauchsanweisungen nachschlagen.

4.6 - Erste Einschaltung und Anschlussüberprüfung

Nachdem am Steuergerät Strom anliegt, folgende Überprüfungen vornehmen:

- nach einigen Sekunden, prüfen, ob die Led "Bluebus" (Abb. 26) regelmäßig einmal pro Sekunde blinkt;
- prüfen, dass die Leds der Fotozellen sowohl TX als auch RX blinken. In dieser Phase hat die Art des Blinkens keine Bedeutung;
- prüfen, dass die Multifunktionsleuchte WLT ausgeschaltet ist (auf Blinken eingestellt), sie ist an den Ausgang FLASH des Netzgerätes angeschlossen.

Wenn dies nicht der Fall ist, muss das Steuergerät von der Stromversorgung abgetrennt und die einzelnen, zuvor ausgeführten Anschlüsse müssen überprüft werden.

4.7 - Erlernen der angeschlossenen Vorrichtungen

Nach der ersten Einschaltung muss das Steuergerät die an die Eingänge "Bluebus" und "Stop" angeschlossenen Vorrichtungen anerkennen.

ACHTUNG! – Die Lernphase ist auch dann durchzuführen, wenn keine Vorrichtung an das Steuergerät angeschlossen ist.

Durch den Lernvorgang ist das Steuergerät in der Lage, die angeschlossenen Vorrichtungen einzeln zu erkennen und mit großer Genauigkeit vorhandene Störungen festzustellen. Deshalb ist es notwendig bei jedem Anschluss oder Abtrennung den Lernvorgang der Vorrichtungen auszuführen.

Zur Anzeige, dass der Lernvorgang erforderlich ist blinken die Leds "L1" und "L2" am Steuergerät (Abb. 26) in einem langsamen Rhythmus:

01. Die Tasten "◀" und "Set" (Abb. 26) drücken und gedrückt halten.
02. Wenn die Leds "L1" und "L2" beginnen schnell zu blinken (nach etwa 3 Sekunden), die Tasten wieder loslassen.
03. Damit das Steuergerät das Erlernen der Vorrichtungen beenden kann, noch einige Sekunden warten.
04. Nach dieser Phase muss die Led "Stop" eingeschaltet sein und die Led "L1" und "L2" müssen erlöschen (die Led "L3" und "L4" könnten zu blinken beginnen).

4.8 - Erlernen der mechanischen Stopstellungen

Nach dem Erlernen der Vorrichtungen (Absatz 4.7) muss das Steuergerät die mechanischen Stopstellungen lernen (maximale Öffnung und maximale Schließung);

In dieser Phase wird der Öffnungswinkel des Flügels von der mechanischen Schließarretierung bis zur mechanischen Öffnungsarretierung festgestellt. **Das Vorhandensein der festen mechanischen und ausreichend robusten Arretierungen ist unumgänglich.**

01. In der Tabelle 2 die Abbildung suche, die Ihrer Anlage entspricht und am Steuergerät die elektrischen Überbrückungen JA und JB genau wie in der Abbildung einstellen.
02. Mit den entsprechenden Schlüsseln die Getriebe entriegeln (siehe Kapitel 3.8) und die Flügel die Hälfte ihrer Strecke zurücklegen lassen, damit sie sich bei Öffnung und Schließung frei bewegen können; danach die Getriebe blockieren.
03. Am Steuergerät die Tasten "Set" und "▶" drücken und gedrückt halten;
04. Wenn die Leds "L3" und "L4" schnell zu blinken beginnen (nach etwa 3 Sek.) die Tasten wieder loslassen;
05. Prüfen, dass die Automatisierung folgende Manöversequenzen ausführt:
 - a - Langsame Schließung des Getriebes M1 bis zur mechanischen Arretierung
 - b - Langsame Schließung des Getriebes M2 bis zur mechanischen Arretierung
 - c - Langsame Öffnung des Getriebes M2 und des Getriebes M1 bis zur mechanischen Arretierung
 - d - Schnelle vollständige Schließung der Getriebe M1 und M2

• Wenn das erste Manöver eines oder beider Flügel keine Schließung ist, eine beliebige Taste drücken, um das Erlernen abzubrechen und die Stellung der elektrischen Überbrückungen JA und JB kontrollieren, dabei die Tabelle 2 beachten; oder die Polarität des Motors ohne Steuergerät (Mod. WL1024) kontrollieren.

• Wenn der erste Motor, der eine Schließung veranlasst nicht M1 ist, eine beliebige Taste drücken, um das Erlernen abzubrechen und die Stellung der elektrischen Überbrückungen JA und JB prüfen, dabei die Tabelle 2 beachten.

• Das Erlernen wird unverzüglich abgebrochen, wenn während des Erlernens eine beliebige Vorrichtung anspricht (Fotозellen, Schlüsselwählschalter, Drücken der Taste, usw.). Das Erlernen muss von vorn beginnen.

06. Nach dem Schließmanöver der 2 Motoren (d), schalten sich die Leds "L3" und "L4" aus und zeigen damit an, dass der Vorgang korrekt ausgeführt wurde.

TABELLE 2

4.9 - Überprüfung der Torflügelbewegung

Nach dem Erlernen und den mechanischen Stopstellungen sollten am Steuergerät einige Öffnungen und Schließungen veranlasst werden, um die sachgemäße Bewegung des Tors zu kontrollieren und eventuelle Montage- oder Einstellfehler oder andere Störungen festzustellen:

01. Die Taste Open (Abb. 26) drücken und prüfen, ob während des Öffnungsmanövers die Beschleunigungsphase, die Phase mit konstanter Geschwindigkeit und Verlangsamung vorhanden sind und dass die Flügel am mechanischen Öffnungs-Endanschlag anhalten.
02. Die Taste Close (Abb. 26) drücken und prüfen, ob während des Schließmanövers die Beschleunigungsphase, die Phase mit konstanter Geschwindigkeit und Verlangsamung vorhanden sind und dass die Flügel am mechanischen Schließ-Endanschlag anhalten.
03. Prüfen, dass das Blinklicht, wenn es eingeschaltet ist, während der Manöver im Abstand von 0,5 Sekunden einige Male blinkt, auch wenn es ausgeschaltet ist muss es im Abstand von 0,5 Sekunden blinken.

5

ENDABNAHME UND INBETRIEBNAHME

Dies sind die wichtigsten Phasen bei der Ausführung der Automatisierung, sie gewährleisten die maximale Anlagensicherheit. Die Endabnahme kann auch zur regelmäßigen Kontrolle der Vorrichtungen, aus denen sich die Automatisierung zusammensetzt, benutzt werden. Die Endabnahme und die Inbetriebnahme der Automatisierung müssen durch qualifiziertes und erfahrenes Personal erfol-

gen, das die erforderlichen Tests zur Überprüfung der angewandten Lösungen zum Schutz gegen die vorhandenen Gefahren bestimmt und die Einhaltung der gesetzlichen Bestimmungen, Richtlinien und Regelungen prüft: dies sind im Besonderen alle Anforderungen der Norm EN 12445, die die Testverfahren für die Überprüfung der Automatisierungen für Tore festlegt. Die zusätzlichen Vorrichtungen müssen sowohl bezüglich der Funktionstüchtigkeit als auch der Ansprechfähigkeit mit WALKY einer eigenen Endabnahme unterzogen werden; zu diesem Zweck in den Gebrauchsanweisungen der einzelnen Vorrichtungen nachlesen.

5.1 - Endabnahme

Die Reihenfolge der Vorgänge für die Endabnahme bezieht sich auf eine Standardanlage (Abb. 2):

- 1 Die Getriebe von Hand entriegeln und an der Stelle am Flügel, die für das manuelle Manöver vorgesehen ist, prüfen, ob sich die Flügel mit einer Kraft unter 390 N öffnen und schließen lassen.
- 2 Prüfen, dass der Flügel sich nicht bewegt, wenn er an einer beliebigen Stelle seiner Strecke angehalten wird.
- 3 Die Getriebe blockieren (siehe Kapitel 3.8).
- 4 **ACHTUNG!** – Prüfen, dass die Schraubanschlüsse fest angezogen sind.
- 5 Mit den Bedieneinrichtungen (Sender, Bedientaste, Schlüsselwählschalter, usw.), die Öffnung, Schließung und das Anhalten des Tors prüfen, sich vergewissern, dass die Flügelbewegung vorschriftsmäßig abläuft. Einige Proben durchführen, im die Flügelbewegung zu beurteilen und eventuelle Montage- oder Einstellfehler oder starke Reibungen herauszufinden.
- 6 Nacheinander alle Sicherheitsvorrichtungen der Anlage auf ihren sachgemäßen Betrieb hin prüfen (Fotozellen, Kontakteisen, usw.). Beim Eingreifen einer Vorrichtung blinkt die Led "BLUEBUS" auf dem Steuergerät zur Bestätigung der Erkennung zweimal schnell.
- 7 Wenn die Gefahrensituationen, die durch die Flügelbewegung entstanden sind, durch die Herabsetzung der Aufprallkraft beseitigt wurden, muss die Kraft entsprechend der Norm EN 12445 gemessen werden und ggf. wenn

die Kontrolle der "Getriebekraft" als Hilfsmittel zur Herabsetzung der Aufprallkraft benutzt wird, versuchen die Einstellung mit den besten Ergebnissen herauszufinden.

- 8 In einem Bereich nahe der Automatisierung ein Etikett anbringen, auf dem die Entriegelung des Getriebes von Hand beschrieben ist.

5.2 - Inbetriebnahme

Die Inbetriebnahme kann erst dann erfolgen, wenn alle Phasen der Endabnahme mit einem positiven Ergebnis abgeschlossen wurden.

- 1 Die technischen Unterlagen der Automatisierung ausstellen: eine Gesamtzeichnung der Automatisierung, den Schaltplan der durchgeführten elektrischen Anschlüsse, die Analyse der vorhandenen Gefahren und die hierfür angewandten Lösungen und die Konformitätserklärung des Herstellers, die vom Installateur ausgefüllt wurde.
- 2 Am Tor ein Schild anbringen, auf dem mindestens die folgenden Daten zu finden sind: Art der Automatisierung, Name und Adresse des Herstellers (für die "Inbetriebnahme" verantwortlich), Seriennummer, Baujahr und "CE"-Kennzeichen.
- 3 Die Konformitätserklärung der Automatisierung ausfüllen und sie dem Besitzer des Tors aushändigen.
- 4 Das "Gebrauchshandbuch" der Automatisierung ausfüllen und es dem Besitzer des Tors aushändigen.
- 5 Den "Wartungsplan", der die Vorschriften zur Wartung aller Vorrichtungen der Automatisierung zusammenfasst, ausfüllen und dem Besitzer des Tors aushändigen.
- 6 Vor der Inbetriebnahme der Automatisierung muss der Besitzer über die noch vorhandenen Restgefahren informiert werden.

Für alle genannten Unterlagen stellt Nice über den eigenen technischen Kundendienst folgendes zur Verfügung: Gebrauchsanweisungen, Leitfäden und vorgedruckte Formulare. Siehe auch unter: www.nice-service.com

6 PROGRAMMIERUNG DES STEUERGERÄTES

Am Steuergerät sind die 3 Tasten **OPEN** (◀), **STOP (SET)**, **CLOSE** (▶) vorhanden, mit ihnen kann man das Steuergerät während der Tests bedienen, aber auch die verfügbaren Funktionen programmieren.

Die verfügbaren und programmierbaren Funktionen sind auf 2 Niveaus verteilt, ihr Betriebsstatus wird von den 4 Leds (L1 ... L4) auf dem Steuergerät angezeigt (eingeschaltete Led = Aktive Funktion; ausgeschaltete Led = nicht aktive Funktion).

Benutzung der Programmierungstasten (Abb. 26):

OPEN (◀): – Bedientaste zur Toröffnung; – Wahltaaste bei der Programmierung.

STOP/SET: Taste zum Anhalten eines Manövers; wird sie länger als 5 Sekunden gedrückt, öffnet sich die Programmierung.

CLOSE (▶): – Bedientaste zur Torschließung; – Wahltaaste bei der Programmierung.

6.1 - Programmierung erstes Niveau (ON-OFF)

Alle Funktionen des ersten Niveaus wurden werkseitig mit "OFF" programmiert, können aber jederzeit geändert werden. Zum Überprüfen der einzelnen Funktionen, siehe **Tabelle 5**. Für die Programmierung siehe **Tabelle 6**.


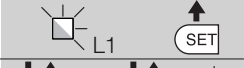



Anmerkung – Diese Abläufe können jederzeit erneut durchgeführt werden, auch nach dem Anschluss einer neuen Vorrichtung an das Steuergerät.

WICHTIG – Die Programmierung hat eine Höchstzeit von 10 Sekunden zwischen einem Tastendruck und dem nächsten. Nach dieser Zeit endet der Ablauf automatisch und speichert die bis dahin vorgenommenen Änderungen.

TABELLE 5 - Funktionen des ersten Niveaus

Led	Funktion	Beschreibung
L1	Automatische Schließung	Funktion AKTIVIERT : nach einem Öffnungsmanöver tritt eine Pause ein (nach der programmierten Pausenzeit), nach deren Ablauf veranlasst das Steuergerät automatisch die Schließung. Der werkseitige Wert der Pausenzeit beträgt 30 Sek. Funktion NICHT AKTIVIERT : der Betrieb ist "halbautomatisch".
L2	Nach Foto wieder schließen	Funktion AKTIVIERT : wenn die Fotozellen während der Öffnung oder Schließung eingreifen, verkürzt sich die Pausenzeit unabhängig von der programmierten "Pausenzeit" auf 5 Sek. Bei ausgeschalteter "automatischer Schließung" und einem Eingriff der Fotozellen während der Schließung, aktiviert sich die "automatische Schließung" mit der programmierten "Pausenzeit".
L3	Immer schließen	Funktion AKTIVIERT : bei einem, wenn auch nur kurzem Stromausfall, erfasst das Steuergerät bei Rückkehr der Stromversorgung das offene Tor und veranlasst die Schließung, der ein 5 Sekunden dauerndes Blinken vorausgeht. Funktion NICHT AKTIVIERT : bei Stromrückkehr bleibt das Tor wo es ist.
L4	Standby (Bluebus)	Funktion AKTIVIERT : 1 Minute nach dem Manöver schaltet das Steuergerät den Ausgang "Bluebus" (angeschlossene Vorrichtungen) und alle Leds aus, davon ausgenommen ist die Bluebus-Led, die langsam weiterblinkt. Wenn das Steuergerät einen Befehl erhält, den Normalbetrieb wieder herzustellen (mit kurzer Verzögerung). Diese Funktion dient der Energieeinsparung; ein wichtiger Aspekt bei der Versorgung mit Batterie oder Solarzellenpaneele.

TABELLE 6 - Programmierung erstes Niveau

01. Die Taste "Set" für etwa 3 Sekunden drücken und gedrückt halten.	
02. Wenn die Led "L1" zu blinken beginnt, die Taste wieder loslassen;	
03. Die Taste "◀" oder "▶" drücken, um das Blinken der Led auf die Led der Funktion, die geändert werden soll, zu übertragen;	
04. Zur Statusänderung der Funktion die Taste "Set" drücken: (kurzes Blinken = OFF - langes Blinken = ON);	
05. Zum Verlassen der Programmierung 10 Sekunden (Höchstzeit) warten.	

Anmerkung – Zum Programmieren weiterer Funktionen auf "ON" oder "OFF" sind während der Durchführung des Ablaufs die Punkte 03 und 04 zu wiederholen.

6.2 - Programmierung erstes Niveau (einstellbare Parameter)

Alle Parameter des zweiten Niveaus wurden werkseitig so programmiert, wie es in **grau** in der Tabelle 8 angezeigt ist, sie können jederzeit, wie in **Tabelle 7** beschrieben, geändert werden.

Die Parameter sind auf einer Skala 1 bis 4 einstellbar; zum Kontrollieren des Wert jeder Led siehe **Tabelle 8**. **WICHTIG** – Die Programmierung hat eine Höchstzeit von 10 Sekunden zwischen einem Tastendruck und dem nächsten. Nach dieser Zeit endet der Ablauf automatisch und speichert die bis dahin vorgenommenen Änderungen.

TABELLE 7 - Programmierung zweites Niveau









01. Die Taste "Set" für etwa 3 Sekunden drücken und gedrückt halten.	
02. Wenn die Led "L1" zu blinken beginnt, die Taste wieder loslassen;	
03. Die Taste "◀" oder "▶" drücken, um das Blinken der Led auf die Led, die als "Eingangsled" des zu ändernden Parameters anzusehen ist.	
04. Die Taste "Set" bis zum Abschluss des Punktes 06 drücken und gedrückt halten.	
05. Etwa 3 Sekunden warten bis sich die Led einschaltet, die das aktuelle Niveau des zu ändernden Parameters darstellt.	
06. Die Taste "◀" oder "▶" drücken, um die Led des Parameterwertes zu verlegen.	
07. Die Taste "Set" wieder loslassen.	
08. Zum Verlassen der Programmierung 10 Sekunden (Höchstzeit) warten.	
Anmerkung – Um während des Ablaufs mehrere Parameter zu programmieren, müssen die Vorgänge vom Punkt 03 bis zum Punkt 07 während der Phase wiederholt werden.	

TABELLE 8 - Funktionen des zweiten Niveaus

Led der Eingang	Parameter	Led (Niveau)	Wert	Beschreibung
L1	Zeit Pause	L1	5 Sekunden	Die Pausenzeit einstellen, das heißt die Zeit vor der automatischen Schließung. Hat nur Wirkung wenn die Schließung aktiviert ist.
		L2	30 Sekunden	
		L3	60 Sekunden	
		L4	120 Sekunden	
L2	Schrittfunktion	L1	Öffnen – Stopp – schließen – Stopp	Regelt die Befehlssequenz, die mit dem Eingang "Schrittbetrieb" oder dem Funkbefehl verknüpft ist. Anmerkung – Stellt man L4 ein, wird auch das Verhalten der Bedienungen "Öffnen" und "Schließen" geändert.
		L2	Öffnen – Stopp – schließen – öffnen	
		L3	Öffnen – schließen – öffnen – schließen	
		L4	Wohnanlage: • bei der Öffnung haben die Befehle "Schrittbetrieb" und "Öffnen" keine Wirkung; dagegen bewirkt der Befehl "Schließen" die Bewegungsumkehr, dass heißt die Schließung der Flügel. • Beim Schließen bewirken die Befehle "Schrittbetrieb" und "Öffnen" die Bewegungsumkehr, dass heißt die Öffnung der Flügel; dagegen hat der Befehl "Schließen" keine Wirkung.	
L3	Motoren-drehzahl	L1	Langsam	Regelt während des normalen Laufs die Motordrehzahl.
		L2	Mittel	
		L3	Schnell	
		L4	Sehr schnell	
L4	Motorstärke	L1	Stufe 1 - Mindeststärke	Regelt die Stärke beider Motoren.
		L2	Stufe 2 - ...	
		L3	Stufe 3 - ...	
		L4	Stufe 4 - Höchststärke	

6.3 - Löschung des Speichers

Zur Speicherlöschung des Steuergerätes und Wiederherstellung der werkseitigen Einstellungen, wie folgt vorgehen: die Tasten "◀" und "▶" drücken und gedrückt halten bis die Leds L1 und L2 zu blinken beginnen.

6.4 - Spezielle Funktionen

Funktion: "In jedem Fall bewegen"

Mit dieser Funktion arbeitet die Automatisierung auch wenn eine Sicherheitsvorrichtung nicht richtig funktioniert oder ausgefallen ist. Die Automatisierung kann im Modus "Totmann", gesteuert werden, dazu wie folgt vorgehen:

01. Mit einem Sender oder einem Schlüsselwahlschalter, usw. einen Befehl zur Betätigung des Tors senden. Wenn alles sachgerecht funktioniert, bewegt sich das Tor ordnungsgemäß, ansonsten wie folgt vorgehen:
02. Innerhalb 3 Sekunden den Befehl erneut erteilen und ihn betätigt halten;
03. Nach etwa 2 Sekunden führt das Tor das verlangte Manöver im Modus

"Totmann" aus; das heißt, das Tor bewegt sich so lange wie die Bedienung betätigt wird.

Wenn die Sicherheitsvorrichtungen nicht funktionieren, blinkt die Blinkanzeige einige Male, um die Art des Problems zu signalisieren (siehe Kapitel 7 - Tabelle 10).

7 WAS TUN WENN... (Leitfaden zur Problembeseitigung)

Einige Vorrichtungen sind für die Anzeige des Betriebsstatus oder eventueller Störungen vorgerüstet. Wenn die WLT-Multifunktionsleuchte mit eingestellter Blinkfunktion am Ausgang FLASH des Netzgerätes angeschlossen ist, blinkt sie während eines Manövers im Abstand von 1 Sekunde. Beim Auftreten von Störungen werden die Blinkabstände kürzer; sie werden mit einer Pause von 1 Sekunde zweimal wiederholt.

In der **Tabelle 10** sind die Ursache und Behebung einer jeden Anzeigenart beschrieben. Auch die Leds am Steuergerät geben Signale aus; in der **Tabelle 11** sind die Ursache und Behebung einer jeden Anzeigenart beschrieben.

TABELLE 10 - Meldungen der Blinkanzeige (FLASH)

Blinken	Störung	Behebung
1 kurzes Blinken 1 Sekunde Pause 1 kurzes Blinken	Fehler im Bluebus-System	Die Überprüfung der an das Bluebus-System angeschlossenen Vorrichtungen, die zu Beginn des Manövers erfolgt, entspricht nicht den während des Erlernens gespeicherten Vorrichtungen. Vorrichtungen können abgetrennt oder beschädigt sein, prüfen und austauschen. Falls Änderungen vorgenommen wurden, muss das Erlernen der Vorrichtungen wiederholt werden (siehe Absatz 4.7).
2 kurze Blinkzeichen 1 Sekunde Pause 2 kurze Blinkzeichen	Eingriff einer Fotozelle	Eine oder mehrere Fotozellen geben die Bewegung nicht frei oder haben während des Laufs eine Bewegungsumkehr bewirkt; prüfen, ob Hindernisse vorhanden sind.
3 kurze Blinkzeichen 1 Sekunde Pause 3 kurze Blinkzeichen	Eingreifen der Funktion "Hindernisswahrnehmung" der Kraftbegrenzung	Während der Bewegung haben die Motoren einen größeren Kraftaufwand ausüben müssen, die Ursache feststellen und ggf. das Kraftniveau der Motoren erhöhen
4 kurze Blinkzeichen 1 Sekunde Pause 4 kurze Blinkzeichen	Eingriff des Eingangs STOP	Zu Beginn des Manövers oder während der Bewegung haben die am Eingang STOP angeschlossenen Vorrichtungen eingegriffen; die Ursache feststellen.
5 kurze Blinkzeichen 1 Sekunde Pause 5 kurze Blinkzeichen	Fehler bei den internen Parametern des Steuergerätes	Mindestens 30 Sekunden warten und erneut versuchen den Befehl zu erteilen, ggf. auch die Versorgung abschalten; bleibt der Status unverändert, könnte ein schwerer Schaden vorliegen und die elektronische Karte muss ausgetauscht werden.
6 kurze Blinkzeichen 1 Sekunde Pause 6 kurze Blinkzeichen	Die Höchstzahl der aufeinander folgenden Manöver oder der Manöver pro Stunde wurde überschritten	Einige Minuten warten, damit der Manöverbegrenzer unter die Höchstgrenze fällt.
7 kurze Blinkzeichen 1 Sekunde Pause 7 kurze Blinkzeichen	Störung an den elektrischen Schaltkreisen	Mindestens 30 Sekunden warten und erneut versuchen den Befehl zu erteilen, ggf. auch die Versorgung abschalten; bleibt der Status unverändert, könnte ein schwerer Schaden vorliegen und die elektronische Karte muss ausgetauscht werden.
8 kurze Blinkzeichen 1 Sekunde Pause 8 kurze Blinkzeichen	Ein Befehl weitere Befehle nicht auszuführen, ist bereits vorhanden	Die Art des immer vorhandenen Befehls prüfen; es könnte sich beispielsweise um den Befehl einer Uhr am Eingang "PASSO-PASSO" handeln.
9 kurze Blinkzeichen 1 Sekunde Pause 9 kurze Blinkzeichen	Die Automatisierung wurde durch einen Befehl "Automatisierung blockieren" blockiert	Die Automatisierung durch Senden des Befehls "Automatisierung entriegeln" freigeben.

TABELLE 11 - Led-Anzeigen am Steuergerät (Abb. 23)

Led	Störung	Behebung
BLUEBUS Immer ausgeschaltet	Störung	Die Versorgung des Steuergerätes prüfen; kontrollieren, ob die Sicherungen angesprochen haben. In diesem Fall die Ursache des Schadens feststellen und mit gleichwertigen Sicherungen austauschen
Immer eingeschaltet	Schwere Störung	Es liegt eine schwere Störung vor: versuchen, die Stromversorgung vom Steuergerät abzutrennen, wenn der Status unverändert bleibt, muss die elektronische Karte ausgetauscht werden
1 Blinken pro Sekunde	Alles regulär	Regulärer Betrieb des Steuergerätes
2 schnelle Blinkanzeigen	Statusänderung der Eingänge	Er ist regulär, wenn in einem der Eingänge (PP, STOP) eine Veränderung auftritt: Eingriff der Fotozellen oder von einem Sender wird ein Befehl übertragen
Eine Reihe Blinkanzeigen mit 1 Sekunde Pause	Verschiedenes	Siehe Tabelle 10
STOP Immer ausgeschaltet	Eingriff der am Eingang STOP angeschlossenen Vorrichtungen	Die Vorrichtungen des Eingangs STOP prüfen
Immer eingeschaltet	Alles regulär	Eingang STOP aktiviert
P.P. Immer ausgeschaltet	Alles regulär	Eingang Schrittbetrieb nicht aktiviert
Immer eingeschaltet	Eingriff des Eingangs Schrittbetrieb	Er ist regulär, wenn die an den Eingang Schrittbetrieb angeschlossene Vorrichtung aktiviert ist.
L1 - L2 Langsames Blinken	Änderung der Vorrichtungsanzahl die an Bluebus angeschlossen ist oder Erlernen der Vorrichtung nicht durchgeführt	Das Erlernen der Vorrichtungen muss durchgeführt werden (siehe Absatz 4.7)
L3 - L4 Langsames Blinken	Das Erlernen der mechanischen Stopstellungen wurde nie durchgeführt.	Das Erlernen muss durchgeführt werden (siehe Absatz 4.8).

8 EINGEHENDE ERKLÄRUNGEN

Für WALKY ist folgendes Zubehör (Funkempfänger) vorgesehen: der Programmierer Oview, das Solarenergiesystem Solemyo und die Pufferbatterie Mod. PS424.

8.1 - Anschluss des Funkempfängers OXI

Zum Anschluss des Empfängers OXI muss die Stromversorgung vom Steuergerät abgetrennt und wie in **Abb. 27** gezeigt, vorgegangen werden. In der **Tabelle 12** und **13** sind die Bedienungen, die den Ausgängen am Steuergerät entsprechen, wiedergegeben.

TABELLE 12

SMXI / SMXIS oder OXI / OXIFM / OXIT / OXITFM in Modus I oder Modus II

Ausgang Nr.1	Bedienung "P.P." (Schrittbetrieb)
Ausgang Nr.2	Bedienung "Teilweise Öffnung 1"
Ausgang Nr.3	Bedienung "Öffnen"
Ausgang Nr.4	Bedienung "Schließen"

TABELLE 13

OXI / OXIFM / OXIT / OXITFM im erweiterten Modus II

N°	Bedienung	Beschreibung
1	Schrittbetrieb	Bedienung "P.P." (Schrittbetrieb)
2	Teilweise Öffnung 1	Bedienung "Teilweise Öffnung 1"
3	Öffnen	Bedienung "Öffnen"
4	Schließen	Bedienung "Schließen"
5	Stop	Anhalten des Manövers
6	Schrittbetrieb Wohnanlage	Bedienung im Modus Wohnanlage
7	Schrittbetrieb hohe Priorität	Befiehlt auch mit blockierter Automatisierung oder aktiven Bedienungen
8	Teilweise öffnen 2	Öffnet teilweise (Öffnung des Flügels M2, entspricht der Hälfte der vollen Öffnung)
9	Teilweise öffnen 3	Öffnet teilweise (Öffnung beider Flügel, entspricht der Hälfte der vollen Öffnung)
10	Öffnen und blockieren Automatisierung	Bewirkt eine Öffnung und blockiert bei deren Ende die Automatisierung; das Steuergerät akzeptiert keine andere Bedienung als "Schrittbetrieb hohe Priorität", Automatisierung "Entriegeln" oder (nur bei Oview) die Bedienungen: "Entriegeln und schließen" und "Entriegeln und öffnen"
11	Schließen und blockieren Automatisierung	Bewirkt eine Schließung und blockiert bei deren Ende die Automatisierung; das Steuergerät akzeptiert keine andere Bedienung als "Schrittbetrieb hohe Priorität", Automatisierung "Entriegeln" oder (nur bei Oview) die Bedienungen: "Entriegeln und schließen" und "Entriegeln und öffnen"
12	Automatisierung blockieren	Bewirkt den Stillstand des Manövers und die Blockierung der Automatisierung; das Steuergerät akzeptiert keine andere Bedienung als "Schrittbetrieb hohe Priorität", Automatisierung "Entriegeln" oder (nur bei Oview) die Bedienungen: "Entriegeln und schließen" und "Entriegeln und öffnen".
13	Automatisierung entriegeln	Bewirkt die Entriegelung der Automatisierung und die Rücksetzung des Normalbetriebs
14	On Timer Notbeleuchtung	Der Ausgang Notbeleuchtung mit zeitgesteuerter Ausschaltung schaltet sich ein.
15	On-Off Notbeleuchtung	Der Ausgang Notbeleuchtung schaltet sich im Modus On-Off aus und ein.

8.2 - Anschluss und Installation der Pufferbatterie Mod. PS424

ACHTUNG! - Der Stromanschluss der Batterie an das Steuergerät darf erst nach Abschluss aller Installations - und Programmierungsarbeiten erfolgen, da die Batterie eine Notstromversorgung bildet.

Zur Installation und zum Anschluss der Batterie, den in **Abb. 28** gezeigten Montagephasen folgen.

8.3 - Anschluss des Programmierers Oview

Am Steuergerät befindet sich die Steckverbindung BusT4, an der die Programmierungseinheit Oview angeschlossen werden kann. Sie ermöglicht eine vollständige und schnelle Regelung der Installation, Wartung und Diagnose der gesamten Automatisierung. Für den Zugriff auf die Steckverbindung muss wie in **Abb. 29** gezeigt, vorgegangen werden und der Stecker in der entsprechenden Aufnahme angeschlossen werden. Der Oview kann gleichzeitig an mehrere Steuergeräte gleichzeitig angeschlossen werden (bis zu 5 ohne besondere Vorsichtsmaßnahmen, bis zu 60 unter Befolgung entsprechenden Sicherheitshinweise). Er kann auch während des normalen Betriebs der Automatisierung am Steuergerät angeschlossen bleiben. In diesem Fall kann er benutzt werden, um die Bedienungen mit dem spezifischen "Benutzer"-Menü direkt an das Steuergerät zu senden. Auch die Firmware kann aktualisiert werden. Wenn im

Steuergerät ein Funkempfänger der Gruppe OXI vorhanden ist, kann man mit dem Oview auf die Parameter der im Empfänger gespeicherten Sender zugreifen.

Für weitere Erklärungen die entsprechende Gebrauchsanweisung und das Handbuch des "Opera system book" - Systems zu Rate ziehen.

8.4 - Anschluss des Solarenergiesystems Solemyo

ACHTUNG! - Wenn die Automatisierung vom System "Solemyo" versorgt wird, **DARF SIE NICHT gleichzeitig auch vom Stromnetz VERSORGT WERDEN.**

Für weitere Informationen zum System Solemyo in seiner Gebrauchsanweisung nachschlagen.

Für den Anschluss des Systems Solemyo, den in der **Abb. 30** gezeigten Montagephasen folgen.

Mit dem entsprechenden Adapterkabel die Verbindung zwischen Solemyo und dem Steuergerät des Getriebes ergänzen.

9 WARTUNG DES PRODUKTS

Um das Sicherheitsniveau immer beizubehalten und die maximale Haltbarkeit zu gewährleisten, ist eine regelmäßige Wartung notwendig.

Bei der Wartung müssen die Sicherheitsvorschriften dieser Gebrauchsanweisung und die diesbezüglich geltenden gesetzlichen Bestimmungen beachtet werden.

Zum Feststellen von Verlagerungen der Flügel, Abnutzung oder Schäden an Kabeln und Federn ist die Automatisierung häufigen Überprüfungen zu unterziehen.

Wichtig - Während der Wartung oder Reinigung der Automatisierung das Steuergerät von der Stromversorgung abtrennen und falls vorhanden, von den Batterien.

Für die anderen Vorrichtungen der Anlage, den Angaben der betreffenden Wartungspläne folgen.

Für die Getriebe WL1024C, WL1024 muss maximal innerhalb 6 Monaten oder nach 20.000 Manövern seit der letzten Instandsetzung eine programmierte Wartung vorgenommen werden.

Für die Wartung wie folgt vorgehen:

01. Jede Versorgungsquelle, auch eventuell vorhandene Pufferbatterien abtrennen;
02. Den Abnutzungszustand der Befestigungsbügel und Dübel besonders gründlich auf Erosion und Oxidation überprüfen; die Teile, die nicht ausreichend sicher sind, austauschen;
03. Zur Überprüfung des ordnungsgemäßen Betriebs, einen Entriegelungstest durchführen, siehe Absatz 3.8;
04. Die elektrischen Versorgungsquellen wieder anschließen und alle im Kapitel 5.1 - Endabnahme vorgesehenen Tests und Überprüfungen vornehmen.

ENTSORGUNG DES PRODUKTS

Dieses Produkt ist integrierender Teil der Automatisierung und muss mit ihr zusammen entsorgt werden.

Auch die Entsorgung, wenn das Produkt nicht mehr gebrauchsfähig ist, muss genau wie die Installation von qualifiziertem Personal durchgeführt werden.

Dieses Produkt besteht aus unterschiedlichen Materialien: einige sind wiederverwertbar, andere müssen entsorgt werden. Informieren Sie sich über das Recycling- oder Entsorgungssystem, das von den geltenden Vorschriften in Ihrem Land vorgesehen ist.

Achtung! – Einige Teile des Produkts können umweltverschmutzende oder gefährliche Substanzen enthalten, deren Freisetzung eine schädigende Wirkung auf die Umwelt und die Gesundheit des Menschen haben könnten.

Wie das seitliche Symbol anzeigt, darf dieses Produkt nicht mit dem Hausmüll beseitigt werden. Daher müssen zur Entsorgung die Komponenten getrennt werden, wie von den landeseigenen gesetzlichen Regelungen vorgesehen ist oder man übergibt das Produkt beim Neukauf eines gleichwertigen Produkt dem Händler.



Achtung! – die örtlichen gesetzlichen Regelungen können bei einer gesetzeswidrigen Entsorgung diese Produkts schwere Strafen vorsehen.

Entsorgung der Pufferbatterie (falls vorhanden)

Achtung! – Die leere Batterie enthält umweltverschmutzende Substanzen und darf nicht in den Hausmüll geworfen werden.

Sie muss nach der Mülltrennmethode entsorgt werden, die von den geltenden Bestimmungen Ihres Landes vorgesehen ist.

TECHNISCHE MERKMALE DES PRODUKTS

HINWEISE: • Alle genannten technischen Merkmale beziehen sich auf eine Raumtemperatur von 20°C (± 5°C). • Nice S.p.a. behält sich vor, in jedem beliebigen Moment Änderungen, die als notwendig angesehen werden, unter Beibehalt der Funktionen und des Bestimmungszwecks am Produkt vorzunehmen.

Typologie: elektromechanisches Getriebe zur Automatisierung von automatischen Toren und Eingangstüren mit Gleichstrommotor, Planetengetriebe und mechanischer Entriegelung. Nur für Modell WL1024C: eingebautes Steuergerät und Funkempfänger

Maximaler Drehmoment: 100 Nm

Nennmoment: 50 Nm

Leerlaufdrehzahl: 0,20 rad/s - 0,3 rad/s

Drehzahl bei Nennmoment: 0,16 rad/s - 0,24 rad/s

Höchstfrequenz der Zyklen: 100 komplette Zyklen pro Tag (Das Steuergerät WL1024C ist maximal auf etwa 50 beschränkt)

Höchstzeit Dauerzyklus: etwa 10 Minuten

Einsatzgrenzen: das Produkt kann für Tore mit einem Gewicht bis zu 180 kg (Flügel 0,8 m) oder mit einer Flügellänge bis zu 1,8 m und einem Öffnungswinkel bis 110° benutzt werden.

Versorgung: WL1024C: 230 Vac (+10% -15%) 50/60 Hz; WL1024: 24 Vdc (50%); WL1024C/V1: 120 Vac (+10% -15%) 50/60 Hz

Notversorgung: Vorrüstung für Pufferbatterie PS424

Versorgung mit Solarenergiepanels: Vorrüstung für Bausatz SOLEMYO

Nennleistungsaufnahme am Stromnetz (WL1024C): 120 W

Nennstromaufnahme (WL1024): 2 A; beim Anlauf beträgt der Strom für eine Höchstzeit von 2 Sek. 3 A

Leistungsaufnahme am Stromnetz in aktivierter Funktion "Standby – Alles (1)" (einschließlich des Empfängers OXI): 3 W

Leistungsaufnahme im Betrieb mit Pufferbatterie oder BAUSATZ SOLEMYO in der aktivierten Funktion "Standby-Alles (1)" (einschließlich des Empfängers OXI): weniger als 100 mW

Ausgang Elektroschloss [*]: ein Elektroschloss mit 12 Vac max. 15 VA

Ausgang Blinklicht [*]: ein Blinklicht WLT oder eine Leuchte 12Vdc, max.21 W

Ausgang BLUEBUS: ein Ausgang mit Höchstlast von 15 Bluebus-Einheiten (maximal 6 Fotozellenpaare MOFB oder MOFOB + 2 Fotozellenpaare MOFB oder MOFOB als Öffnungsvorrichtungen adressiert + maximal 4 Bedienvorrichtungen MOMB oder MOTB)

Eingang STOP: Für normalerweise geschlossene und normalerweise offene Kontakte oder mit konstantem Widerstand von 8,2 kΩ; die Kontaktwahl erfolgt bei der Automatischen Erlernung und eine Abweichung vom gespeicherten Status löst die Bedienung "STOP" aus.

Eingang Schrittbetrieb: Für normalerweise offene Kontakte (die Schließung des Kontaktes bewirkt die Bedienung Schrittbetrieb)

Funkkopplung: SM-Steckverbinder für Empfänger der Gruppen SMXI, OXI und OXIFM

Eingang FUNKANTENNE: 50 Ω für Kabel RG58 oder ähnliche

Programmierbare Funktionen: 4 Funktionen des Typs ON-OFF (Tabelle 5) und 4 einstellbare Funktionen (Tabelle 8)

Funktionen der automatischen Erlernung: • Automatisches Erlernen der an BlueBus angeschlossenen Vorrichtungen. • Automatisches Erlernen der an die Klemme "STOP" angeschlossenen Vorrichtung (NA- oder NC-Kontakt oder Widerstand 8,2 kΩ). • Automatisches Erlernen des Flügellaufs und automatische Berechnung der Punkte für die Verlangsamung und die teilweise Öffnung. • Automatisches Erlernen des Betriebs mit einem oder zwei Motoren

Montage: Vertikal mit einer Befestigungsplatte

Betriebstemperatur: von -20°C bis +50°C (niedrige Temperaturen setzen die Getriebeleistung herab)

Einsatz in besonders säure- oder salzhaltiger oder potentiell explosionsgefährdeter Umgebung: NEIN

Schutzgrad: IP 44 (mit geschlossenem Behälter)

Maße (mm): 90 x 125 x 385 h

Gewicht (kg): (WL1024C) 4,8; (WL1024) 4,3

Hinweise:

(1) - Mit Programmierer Oview aktivierbare Funktion.

[*] - Die Ausgänge der Klemmen am Steuergerät ("Elektroschloss") und Netzgerät ("Flash") können mit anderen Funktionen mit Hilfe des Programmierers Oview neu programmiert werden. Die elektrischen Merkmale dieser zwei Ausgänge passen sich der gewählten Funktion an:

• Funktion "Elektroschloss": 12Vac, max. 15VA

• Funktion "Blinklicht": eine WLT-Multifunktionsleuchte oder eine Leuchte mit 12Vdc, max. 21W ;

• andere Funktionsarten: eine Leuchte oder Relais mit 24Vdc (-30% e +30%), max. 4 W, wenn der Betrieb des Steuergerätes mit Netzspannung erfolgt oder eine Leuchte oder Relais mit 12Vdc (-10% und +25%), max. 4 W, wenn der Betrieb des Steuergerätes mit von der Pufferbatterie PS424 gespeist wird.

Haltbarkeit des Produkts

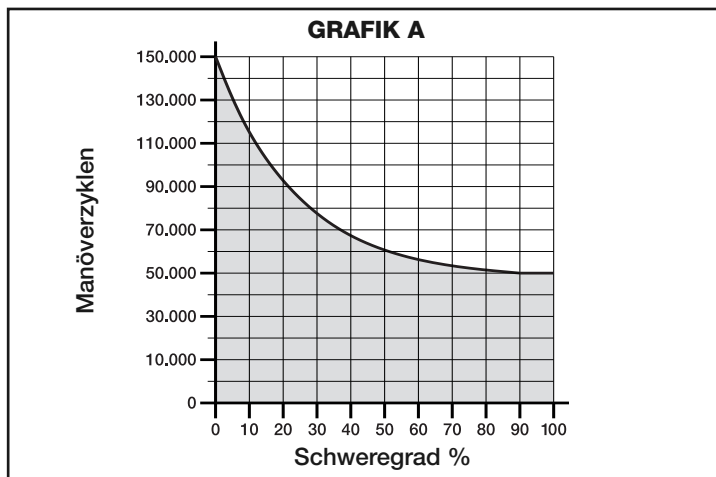
Die Haltbarkeit und durchschnittliche Nutzdauer des Produkts. Der Haltbarkeitswert wird stark durch den Schweregrad der Manöver, die von der Automatisierung ausgeführt werden, beeinflusst: das bedeutet, von der Gesamtzahl der Faktoren, die zur Abnutzung des Produkts beitragen (siehe Tabelle 14).

Um die voraussichtliche Haltbarkeit Ihrer Automatisierung zu bestimmen, wie folgt vorgehen:

01. Den Schweregrad durch das Summieren aller anteiligen Werte, der in der **Tabelle 14** vorhandenen Punkte berechnen.

02. Vom soeben gefundenen Wert in der **Grafik A** eine vertikale Linie ziehen bis sie die Kurve kreuzt; von diesem Punkt eine horizontale Linie ziehen bis sie die Linie der "Manöverzyklen kreuzt". Der gefundene Wert ist die geschätzte Haltbarkeit ihres Produkts.

Die Schätzung der Haltbarkeit erfolgt auf der Grundlage von Konstruktionsberechnungen und den Testergebnissen an den Prototypen. Da es sich lediglich um eine Schätzung handelt, ist dies keine Garantie auf die tatsächliche Lebensdauer des Produkts.



Berechnungsbeispiel der Lebensdauer des Getriebes Walky mit vollem Ausleger (siehe Tabelle 1 und Grafik A): - Flügelgewicht: 100 Kg; - Flügellänge = 1,7 m (Schweregrad: 55%); - weitere verschleißgefährdete Elemente sind nicht vorhanden; Gesamter Schweregrad = 55%; Geschätzte Haltbarkeit = 55.000 Manöverzyklen

TABELLE 14

Flügellänge	Flügelgewicht	Schweregrad	
		AUSLEGER IN STANDARDLÄNGE	AUSLEGER IN GEKÜRZTER LÄNGE
< 1,2 m	> 100 kg	55%	65%
	< 100 kg	30%	50%
1,2 - 1,6 m	> 80 kg	55%	65%
	< 80 kg	40%	50%
> 1,6 m	> 60 kg	55%	-
	< 60 kg	40%	-
Umgebungstemperatur über 40°C oder unter 0°C oder Feuchtigkeit über 80%		15%	15%
Voller Flügel		15%	10%
Installation in windiger Zone		15%	10%

EU-KONFORMITÄTSERKLÄRUNG

merkung - Der Inhalt dieser Erklärung entspricht dem des offiziellen Dokumentes, das im Firmensitz der Fa.Nice S.p.a. nach seiner letzten Revision und vor dem Druck dieser Gebrauchsanleitung hinterlegt wurde. Der vorliegende Text wurde aus verlagstechnischen Gründen neu abgefasst.

Nummer: 322/WL.. **Revision:** 0

Der Unterzeichnende Luigi Paro in seiner Aufgabe als Vertriebsleiter erklärt auf eigene Verantwortung, dass das Produkt:

Name des Herstellers: NICE s.p.a.
Adresse: Via Pezza Alta 13, Z.I. Rustignè, Oderzo (TV) Italien
Typ: elektromechanisches Getriebe
Modelle: WL1024C, WL1024
Zubehör: OXI, OVBT, OVBTGSM, SYKCE, PS424

Entspricht folgenden Richtlinien der Europäischen Gemeinschaft:

- 98/37/EG (89/392/CEE geändert) RICHTLINIE 98/37/EG DES EUROPÄISCHEN PARLAMENTS UND RATS vom 22. Juni 1998 zur Angleichung der Rechtsvorschriften der Mitgliedstaaten bezüglich Maschinen
 Wie von der Richtlinie 98/37/EG vorgesehen, wird darauf hingewiesen, dass die Inbetriebnahme des oben genannten Produkts nicht zulässig ist, solange die Maschine, in die das Produkt eingebaut wurde, nicht identifiziert und als der Richtlinie 98/37/EG entsprechend, erklärt wurde.

Außerdem entspricht das Produkt den folgenden europäischen Richtlinien, so wie sie von der Richtlinie 93/68/EWG des Rates vom 22. Juli 1993 geändert wurden:

- 2006/95/EWG (ehemals Richtlinie 73/23/EG) RICHTLINIE 2006/95/EG DES EUROPÄISCHEN PARLAMENTS UND DES RATES vom 12. Dezember 2006 zur Angleichung der Rechtsvorschriften der Mitgliedstaaten betreffend elektrischer Betriebsmittel zur Verwendung innerhalb bestimmter Spannungsgrenzen.

Nach folgenden harmonisierten Normen:

EN 60335-1:1994+A11:1995+A1:1996+A12:1996+A13:1998+A14:1998+A15:2000+A2:2000+A16:2001

- 2004/108/EWG (ehemals Richtlinie 89/336/EWG) RICHTLINIE 2004/108/EG DES EUROPÄISCHEN PARLAMENTS UND DES RATES des 15. Dezembers 2004 zur Angleichung der Rechtsvorschriften der Mitgliedstaaten bezüglich der elektromagnetischen Verträglichkeit und der Aufhebung der Richtlinie 89/336/EWG.

Nach folgenden harmonisierten Normen: EN 61000-6-2:2005; EN 61000-6-3:2007

Entspricht außerdem, auf die anwendbaren Teile beschränkt, folgenden Normen:

EN 60335-1:2002+A1:2004+A11:2004+A12:2006+ A2:2006, EN 60335-2-103:2003, EN 13241-1:2003; EN 12453:2002; EN 12445:2002; EN 12978:2003

Oderzo, 29. Mai 2009

Luigi Paro (Vertriebsleiter)

Spis treści

1 - INSTRUKCJE I OGÓLNE ZALECENIA	1
1.1 - Zalecenia dotyczące bezpieczeństwa	1
1.2 - Zalecenia dotyczące montażu	1
1.3 - Zalecenia dotyczące obsługi	1
2 - OPIS URZĄDZENIA I JEGO PRZEZNACZENIE	1
3 - MONTAŻ	2
3.1 - Weryfikacje wstępne przy montażu	2
3.2 - Zakres zastosowania	2
3.3 - Czynności wstępne przy montażu	2
3.4 - Montaż siłownika mod. WL1024C - WL1024	3
3.4.1 - Określenie długości ramienia siłownika	3
3.4.2 - Stalacja siłownika o STANDARDOWEJ DŁUGOŚCI RAMIENIA	3
3.4.3 - Instalacja siłownika o ZREDUKOWANEJ DŁUGOŚCI RAMIENIA	4
3.5 - Instalacja wielofunkcyjnej lampy mod. WLT na siłowniku model WL1024C	4
3.6 - Jak wyjąć centralę sterującą	5
3.7 - Regulacja ustawienia skrzydeł bramy w pozycji zamkniętej	5
3.8 - Odblokowanie i blokowanie ręczne siłownika	5
4 - PODŁĄCZENIA ELEKTRYCZNE	5
4.1 - Opis podłączeń elektrycznych	5
4.2 - Podłączenie przewodu zasilania	5
4.3 - Podłączenie siłownika bez centrali mod. WL1024	5
4.4 - Podłączenie innych urządzeń	5
4.5 - Przydzielanie adresów dołączonym urządzeniom	6
4.6 - Pierwsze włączenie i sprawdzenie podłączeń	6
4.7 - Rozpoznawanie dołączonych urządzeń	6
4.8 - Rozpoznawanie pozycji ograniczników mechanicznych	6
4.9 - Sprawdzanie ruchu skrzydeł bramy	6
5 - ODBIÓR TECHNICZNY I URUCHAMIANIE	6
5.1 - Odbiór	7
5.2 - Uruchamianie	7
6 - PROGRAMOWANIE CENTRALI STERUJĄCEJ	7
6.1 - Programowanie pierwszego poziomu (WŁ-WYŁ)	7
6.2 - Programowanie drugiego poziomu (parametry regulowane)	8
6.3 - Kasowanie pamięci	8
6.4 - Funkcje specjalne	8
7 - CO ZROBIĆ, GDY... (przewodnik rozwiązywania problemów)	9
8 - INFORMACJE DODATKOWE	10
8.1 - Podłączenie odbiornika radiowego OXI	12
8.2 - Podłączenie i instalacja akumulatora rezerwowego mod. PS424	13
8.3 - Podłączenie programatora Orview	13
8.4 - Podłączenie systemu zasilania energią słoneczną Solemyo	10
9 - KONSERWACJA PRODUKTU	10
UTYLIZACJA PRODUKTU	11
CHARAKTERYSTYKA TECHNICZNA PRODUKTU	11
Trwałość produktu	12
DEKLARACJA ZGODNOŚCI CE	12
Załącznik	I
Instrukcje i zalecenia przeznaczone dla użytkownika	VIII
Zdjęcia	X

1 INSTRUKCJE I OGÓLNE ZALECENIA

1.1 - Zalecenia dotyczące bezpieczeństwa

- **UWAGA!** – Niniejsza instrukcja zawiera wskazówki i zalecenia ważne dla bezpieczeństwa. Nieprawidłowa instalacja urządzenia może doprowadzić do poważnych obrażeń. Przed rozpoczęciem pracy należy dokładnie przeczytać całą instrukcję obsługi. W przypadku jakichkolwiek wątpliwości, należy zaprzestać instalacji i zwrócić się o wyjaśnienie do Serwisu Technicznego Nice.
- **UWAGA!** – Ważne instrukcje: starannie przechowywać tę instrukcję, w celu ułatwienia ewentualnych operacji dotyczących konserwacji i utylizacji urządzenia.
- **UWAGA!** – Zgodnie z obowiązującymi przepisami europejskimi, wykonanie automatycznych drzwi garażowych lub bram garażowych musi być zgodne z normami przewidzianymi przez Dyrektywę 2006/42/WE (ex 98/37/WE) (Dyrektywa Maszynowa) i w szczególności, normami EN 12445; EN 12453; EN 12635 i EN 13241-1, które pozwalają na zadeklarowanie zgodności automatu. W związku z tym, wszelkie operacje instalacji, podłączania, odbioru technicznego czy konserwacji urządzenia muszą być wykonane wyłącznie przez wykwalifikowanego i kompetentnego technika!

1.2 - Zalecenia dotyczące montażu

- Przed rozpoczęciem montażu należy sprawdzić, czy niniejsze urządzenie jest odpowiednie do zamierzonego zastosowania (zob. "Zakres zastosowania" paragraf 3.2 oraz "Charakterystyka techniczna produktu"). Jeśli urządzenie nie jest odpowiednie, NIE rozpoczynać montażu.
- Wszelkie czynności montażowe i konserwacyjne urządzenia muszą być wykonywane po odłączeniu automatyki od zasilania elektrycznego. Jeśli urządzenie wyłączające nie jest widoczne z miejsca, w którym umieszczono siłownik, przez rozpoczęciem pracy należy zawiesić na urządzeniu wyłączającym tablicę z napisem "UWAGA! KONSERWACJA W TOKU".
- Centrala musi zostać podłączona do linii zasilania elektrycznego wyposażonej w uzziemienie zabezpieczające.
- Podczas montażu należy delikatnie obchodzić się z urządzeniem, chroniąc je przed zgnieceniem, uderzeniem, upadkiem lub kontaktem z jakiegokolwiek rodzaju płynami. Nie umieszczać urządzenia w pobliżu źródeł ciepła i nie wystawiać go na działanie otwartego ognia. Opisane powyżej sytuacje mogą doprowadzić do uszkodzenia urządzenia, być przyczyną nieprawidłowego działania lub spowodować zagrożenia. Jeśli doszłoby do którejś z powyżej opisanych sytuacji, należy natychmiast przerwać montaż i zwrócić się o pomoc do Serwisu Technicznego Nice.
- Nie wolno modyfikować żadnej części urządzenia. Operacje tego rodzaju mogą jedynie spowodować niewłaściwe działanie. Producent uchyla się od wszelkiej odpowiedzialności za szkody spowodowane przez zmodyfikowany produkt.
- Jeśli brama lub drzwi garażowe do zautomatyzowania posiadają również drzwi dla pieszych należy przygotować instalację do podłączenia systemu kontrolnego, który uniemożliwi działanie siłownika, gdy drzwi dla pieszych będą otwarte.
- Opakowanie urządzenia musi być zlikwidowane, zgodnie z odpowiednimi przepisami obowiązującymi na danym terytorium.

1.3 - Zalecenia dotyczące obsługi

- Produkt nie może być użytkowany przez osoby (w tym dzieci) o ograniczeniach fizycznych lub umysłowych, a także przez tych, którzy nie posiadają stosownego doświadczenia lub wiedzy, o ile nie mają możliwości skorzystania z nadzoru lub instrukcji dotyczących użytkowania produktu, za pośrednictwem osób odpowiedzialnych za ich bezpieczeństwo.
- Dzieci znajdujące się w pobliżu automatyki powinny znajdować się pod nadzorem, aby mieć pewność, iż nie będą bawić się produktem.
- Nie pozwalaj dzieciom bawić się ze stałymi urządzeniami sterującymi. Urządzenia sterujące przenośne (zdalne) należy przechowywać z dala od dzieci.

2 OPIS URZĄDZENIA I JEGO PRZEZNACZENIE

Urządzenia tworzące niniejszy produkt są przeznaczone do automatyzowania bramy lub drzwi garażowych jedno- lub dwuskrzydłowych. **UWAGA!** – Każde inne użycie niż te opisane oraz warunki otoczeniowe odmienne od tych określonych w niniejszej instrukcji obsługi są uważane za niewłaściwe i zabronione!

Główna część automatyki składa się z jednego lub dwóch siłowników elektro-mechanicznych (ze względu na liczbę skrzydeł do automatyzowania), z których każdy wyposażony jest w silnik zasilany przez prąd stały i reduktor epicykloidalny. Jeden z siłowników (mod. WL1024C) jest wyposażony w centralę sterowania, która zarządza jej działaniem. Centrala składa się z karty z odbiornikiem radiowym, do odbioru poleceń wysyłanych z nadajnika.

Centrala została przygotowana do współpracy z różnymi urządzeniami należącymi do Systemu Opera, do systemu Bluebus oraz do systemu zasilania energią słoneczną Solemyo.

Jeśli zasilana z sieci, może być użyty również akumulator rezerwowo (mod. PS424, urządzenie dodatkowe), który w przypadku braku energii elektrycznej (black-out) gwarantuje wykonanie przez automat, w najbliższych godzinach, niektórych manewrów.

W przypadku braku energii elektrycznej możliwe jest przesunięcie skrzydeł bramy, odblokowując siłownik za pomocą odpowiedniego klucza; w celu wykonania tego manewru ręcznie, zobacz rozdział 3.8.

Inne akcesoria, które można zastosować, to odbiorniki wyposażone w złącze "SM" (SMXI, OXI, itd.).

Na siłowniku z centralą (mod. WL1024C) można zainstalować wielofunkcyjną lampę mod. WLT (zobacz rozdział 3.5), która może działać jako migające światło sygnalizacyjne lub światło nocne, w zależności od sposobu zaprogramowania centrali sterującej. Ponadto, może być wykorzystana jako światło zmierzchowe poprzez aktywację wbudowanego czujnika światła; w celu uzyskania szczegółowych informacji należy odwołać się do stosownej instrukcji obsługi.

3 MONTAŻ

3.1 - Weryfikacje wstępne przy montażu

Przed przystąpieniem do montażu urządzenia należy sprawdzić stan jego komponentów, upewnić się, czy wybrany model jest odpowiedni do zastosowania i czy warunki otoczenia, w którym przeprowadzona zostanie instalacja, są sprzyjające:

- Sprawdzić, czy cały materiał do użytkowania jest w idealnym stanie, odpowiedni do użycia.
- Sprawdzić, czy ograniczniki mechaniczne (nie zawarte w zestawie), występują w układzie zarówno przy zamykaniu jak i otwieraniu.
- Sprawdzić, czy struktura mechaniczna bramy jest odpowiednia do zautomatyzowania i czy jest zgodna z normami obowiązującymi na danym terytorium (ewentualnie odwołać się do danych znajdujących się na etykietce bramy). Niniejsze urządzenie nie może zautomatyzować bramy, która nie jest skuteczna i bezpieczna; ponadto, nie jest w stanie rozwiązać problemów spowodowanych błędną instalacją bramy lub z powodu jej nieprawidłowej konserwacji.
- Sprawdzić, czy warunki robocze urządzeń są kompatybilne z zakresem zastosowania podanym w instrukcji (zob. paragraf 3.2).
- Ręcznie poruszyć skrzydłami bramy w obie strony i upewnić się, czy na każdym etapie ruchu przebiega przy jednakowym tarciu (nie powinno być punktów o zwiększonym tarciu, wymagających zwiększonego lub zmniejszonego wysiłku).
- Ręcznie doprowadzić skrzydła bramy do dowolnej pozycji; pozostawić je w wybranym położeniu i sprawdzić, czy pozostaną w bezruchu.
- Sprawdzić, czy strefa zamocowania siłownika jest kompatybilna z wymiarami bramy (rys. 1).
- Należy upewnić się, czy w otoczeniu, w którym ma zostać zainstalowany siłownik jest wystarczająco dużo miejsca, by jego ramię mogło wykonać wymagany obrót.
- Należy upewnić się, czy w pobliżu siłownika jest wystarczająco dużo miejsca do wykonania manewru ręcznego odblokowania siłownika.
- Upewnić się, czy powierzchnie wybrane do zainstalowania poszczególnych urządzeń są solidne i czy mogą zagwarantować stabilne mocowanie.
- Upewnić się, czy każde instalowane urządzenie jest umieszczone w pozycji zabezpieczonej przed przypadkowymi uderzeniami.
- Sprawdzić, czy wszystkie typy kabli elektrycznych przeznaczonych do użycia, są zgodne z rodzajami podanymi w Tabeli 1.

3.2 - Zakres zastosowania

Przed wykonaniem instalacji siłownika, należy sprawdzić, czy jego dane zawierają się w zakresie zastosowania określonym poniżej i w granicach wartości opisanych w rozdziale "Charakterystyka techniczna produktu":

Z ramieniem silnika o długości CAŁKOWITEJ (fabrycznie):

- maksymalna szerokość skrzydła: 1,80 m (= maksymalny ciężar skrzydła: 100 kg)
- maksymalna wysokość skrzydła: 2 m

Z ramieniem silnika o długości ZREDUKOWANEJ (objęte przez osobę instalującą):

- maksymalna szerokość skrzydła: 1,60 m (= maksymalny ciężar skrzydła: 100 kg)

- maksymalna wysokość skrzydła: 2 m

• Sprawdzić: nanieść ciężar i szerokość skrzydła na Wykres 1; poprowadzić z obu punktów dwie linie i upewnić się, czy krzyżują się one w jednym z dwóch szarych obszarów zaznaczonych na wykresie. **Uwaga!** - Jeśli linie krzyżują się na białym obszarze, użycie niniejszego produktu do zautomatyzowania bramy nie jest możliwe.

• Aby zezwolić na przeprowadzenie montażu siłownika, szerokość minimalna, na słupku, na którym można zainstalować siłownik wynosi 80 mm.

• Ramię siłownika musi być umieszczone w **wysokiej części** skrzydła bramy;

UWAGA! - Zabrania się montażu siłownika w odwrotnej pozycji, czyli ramieniem do dołu.

• Uchwyt mocujący ramię musi znajdować się na masywnej części skrzydła (na przykład na ramieniu), aby zagwarantować solidne i pewne zamocowanie;

• Sprawdzić wymiar "E" (rys. 7):

- Jeśli wymiar "E" zawiera się pomiędzy 80 mm (minimum) a 299 mm (maksimum), należy skrócić ramię siłownika. W takich warunkach, maksymalne otwarcie skrzydła może wynosić nawet 90°.

- Jeśli wymiar "E" jest równy lub większy niż 300 mm, nie trzeba skraćć ramienia siłownika. W takich warunkach, maksymalne otwarcie skrzydła może wynosić nawet 110°.

3.3 - Czynności wstępne przy montażu

Rys. 2 pokazuje przykład instalacji automatyki wykonanej przy użyciu komponentów Nice (niektóre komponenty mogą nie być zawarte w zestawie):

a - Siłownik z centralą mod. WL1024C

b - Siłownik bez centrali mod. WL1024

c - Lampa wielofunkcyjna mod. WLT (do zainstalowania na siłowniku z centralą mod. WL1024C); zob. rozdział 3.5 i właściwą instrukcję obsługi.

d - Para fotokomórek mod. MOFB

e - Klawiatura cyfrowa (mod. MOTB) - Czytnik transpondera (mod. MOMB) - Przełącznik kluczykowy (mod. MOSE)

f - Para kolumn dla fotokomórek

g - Ograniczniki mechaniczne przy Otwarceniu i Zamknięciu

h - Elektrozamek

Poszczególne elementy zostały umieszczone zgodnie z typowym schematem. W odniesieniu do rys. 2, ustalić przybliżoną pozycję, w której zostanie zainstalowany każdy z komponentów przewidziany w instalacji. **Ważne** – Przed przeprowadzeniem instalacji, należy przygotować przewody elektryczne konieczne dla Państwa instalacji, odwołując się do rys. 2a i do "Tabeli 1 - Charakterystyka techniczna przewodów elektrycznych".

Uwaga – Podczas kładzenia rur niezbędnych do poprowadzenia przewodów elektrycznych, należy wziąć pod uwagę, iż na skutek ewentualnego osadzania się wody w studzienkach, rury łączące mogą doprowadzić do pojawienia się kondensatu wewnątrz centrali i uszkodzić obwody elektryczne.

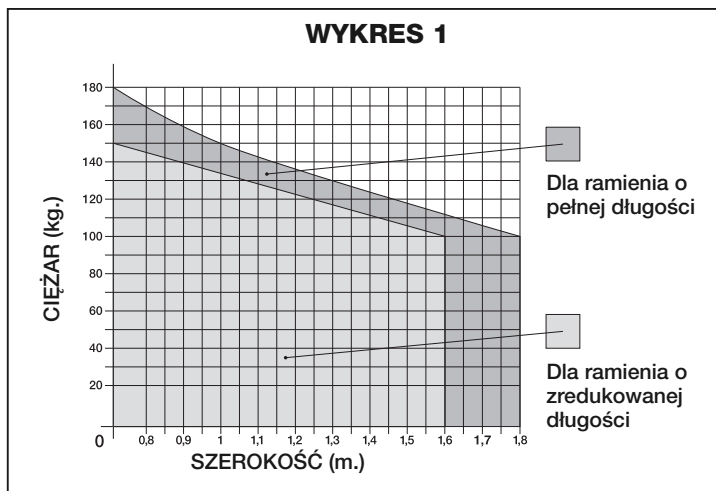


TABELA 1 - Charakterystyka techniczna przewodów elektrycznych

Podłączenie	Typ przewodu	Dozwolona długość maksymalna
A: Przewód ZASILANIA	1 przewód 3 x 1,5 mm ²	30 m (uwaga 1)
B: Przewód ELEKTROZAMKA	1 przewód 2 x 1 mm ²	6 m
C: Przewód URZĄDZEŃ BLUEBUS	1 przewód 2 x 0,5 mm ²	20 m (uwaga 2)
D: Przewód PRZEŁĄCZNIKA KLUCZYKOWEGO	2 przewody 2 x 0,5 mm ² (uwaga 3)	50 m
E: Przewód ZASILANIA SIŁOWNIKA	1 przewód 3 x 1,5 mm ²	6 m
Przewód ANTENY ZEWNĘTRZNEJ (opcjonalny)	1 przewód ekranowany typu RG58	20 m (zaleca się mniejszy niż 5 m)

Uwaga 1 – Jeśli przewód zasilania przekracza 30 m długości, należy użyć przewodu o większym przekroju (3 x 2,5 mm²) i koniecznie zainstalować uziemienie w pobliżu automatyki.

Uwaga 2 – Jeśli przewód Bluebus przekracza 20 m długości, aż do maksymalnej wartości 40 m, należy zastosować przewód o większym przekroju (2 x 1 mm²).

Uwaga 3 – Te 2 przewody mogą zostać zastąpione jednym przewodem 4 x 0,5 mm².

UWAGA! – Stosowane przewody muszą być odpowiednie do typu otoczenia, w którym odbywa się instalacja.

3.4 - Instalacja siłownika mod. WL1024C - WL1024

OSTRZEŻENIA

- Nieprawidłowa instalacja może skutkować poważnymi obrażeniami dla osoby wykonującej pracę jak i osób, które będą używać instalacji.
- Przed rozpoczęciem montażu automatu należy przeprowadzić weryfikację wstępne opisane w paragrafie 3.1 i 3.2.
- Ramię siłownika może być skrócone w odniesieniu do standardowo dostarczonej długości. Zmniejszona długość jest konieczna, gdy w pobliżu siłownika znajduje się przeszkoda stała (mur, słup, itd.), która uniemożliwia całkowity ruch ramienia. W związku z tym, aby zrozumieć, czy ramię wymaga skrócenia czy też nie, **przed rozpoczęciem instalacji należy koniecznie przeprowadzić procedurę 3.4.1.**

Zamontować komponenty wchodzące w skład ramienia siłownika, w oparciu o rys. 3. Na tym etapie nie należy umieszczać pierścienia blokującego (rys. 4). **WAŻNE!** - Wygięte ramię musi być ustawione wygięciem w stronę skrzydła bramy, tak jak wskazano na rys 5.

3.4.1 - Określić długość ramienia siłownika

01. Ustalić pozycję siłownika w kierunku PIONOWYM:

zaznaczyć na słupku linię poziomą na tej samej wysokości, na której umieszczony zostanie uchwyt mocujący ramię na skrzydle, po instalacji.

02. Ustalić pozycję siłownika w kierunku POZIOMYM:

a) **Ustalić maksymalne otwarcie skrzydła bramy:** określić kąt maksymalnego otwarcia (maksymalnie 110°).

b) **Odmierzyć wymiar B i określić wymiar A:**

1 - Odmierzyć na słupku **wymiar B** (rys. 5). Jest to odległość pomiędzy osią obrotu skrzydła a powierzchnią słupka, do którego zostanie zamocowany tylny uchwyt siłownika.

2 - Zaznaczyć na **Wykresie 2A wymiar B** dopiero co odmierzony i poprowadzić z tego punktu linię pionową, aż do skrzyżowania z **obszarem** zawierającym wartość kąta zmierzzonego z punktu a.

3 - W punktach skrzyżowania **linii pionowej i obszaru**, poprowadzić linie poziome, aż do kolumny "A", w celu określenia użytecznego zakresu wartości dla **wymiaru A**. Wybrać z pomiędzy nich wartość A możliwie jak najmniejszą.

4 - Zaznaczyć na słupku wartość **wymiaru A** i naszkicować od niego linię pionową (rys. 6).

5 - Jeśli w pobliżu linii pionowej znajduje się ściana lub inna przeszkoda stała, zmierzyć odległość pomiędzy tą linią a przeszkodą (rys. 7): ta odległość to **wymiar E**.

UWAGA!

• Jeśli **wymiar E** zawiera się pomiędzy 80 mm (minimum) a 299 mm (maksimum), należy kontynuować instalację, wykonując następnie procedurę 3.4.3.

• Jeśli **wymiar E** jest równy lub większy od 300 mm, należy kontynuować instalację, wykonując następnie procedurę 3.4.2.

5 - Odblokować siłowniki za pomocą odpowiedniego klucza (zobacz rozdz. 3.8).

3.4.2 - Instalacja siłownika o STANDARDOWEJ DŁUGOŚCI RAMIENIA

Uwaga! - Ta instalacja może zostać przeprowadzona tylko, jeśli zakończona została procedura 3.4.1.

01. Zamocować siłownik na słupku (rys. 8):

a) Oprzeć siłownik na słupku(*) tak, by jego oś pionowa pokrywała się z pionową linią wyznaczoną wcześniej (wymiar A), a jego ramię, z linią poziomą wyznaczoną w trakcie procedury 3.4.1. Na tym etapie należy upewnić się, czy siłownik znajduje się idealnie w wymaganym położeniu (pion): siłownik znajdujący się poza osią może być przyczyną nieprawidłowego funkcjonowania automatu.

(*) **Uwaga** - Jeśli powierzchnia słupka ma szerokość zawierającą się pomiędzy 80 a 135 mm, przed kontynuowaniem montażu, należy obrócić o 90° tylny uchwyt mocujący siłownik. W celu obrócenia uchwytu należy odwołać się do rys. 9.

b) Zaznaczyć punkty mocowania i przy pomocy wiertarki wywiercić otwory w słupku; rozmieścić kołki rozporowe i zamocować siłownik, używając śrub i odpowiednich podkładek.

02. Zamocować ramię siłownika na skrzydle bramy (rys. 8):

c) Sprowadzić skrzydło bramy do pozycji maksymalnego zamknięcia.

d) Przycisnąć z użyciem siły ramię siłownika **aż do jego maksymalnego rozwarcia**. **Uwaga!** - Upewnić się, czy ramię blokuje się na swoim ograniczniku krańcowym.

e) Zbliżyć ramię do skrzydła, opierając na nim uchwyt mocujący.

f) Upewnić się, czy ramię siłownika jest idealnie wypoziomowane i otwórkami zaznaczyć **dokładny środek otworów** na śruby, aby w przyszłości umożliwić końcową regulację zamknięcia skrzydła (zobacz paragraf 3.7).

g) Przyciskając jedną ręką uchwyt do skrzydła należy spróbować całkowicie otworzyć i zamknąć bramę, aż do odpowiednich ograniczników mechanicznych. **Uwaga!** - Jeśli podczas próby ruch ramienia jest utrudniony z powodu przeszkody takiej jak ściana czy inny stały przedmiot, należy przerwać procedurę i wykonać procedurę 3.4.3.

h) Przy pomocy wiertarki wywiercić otwory w skrzydle w zaznaczonych punktach; zdjąć uchwyt ramienia i przymocować go do skrzydła bramy, za pomocą odpowiednich śrub.

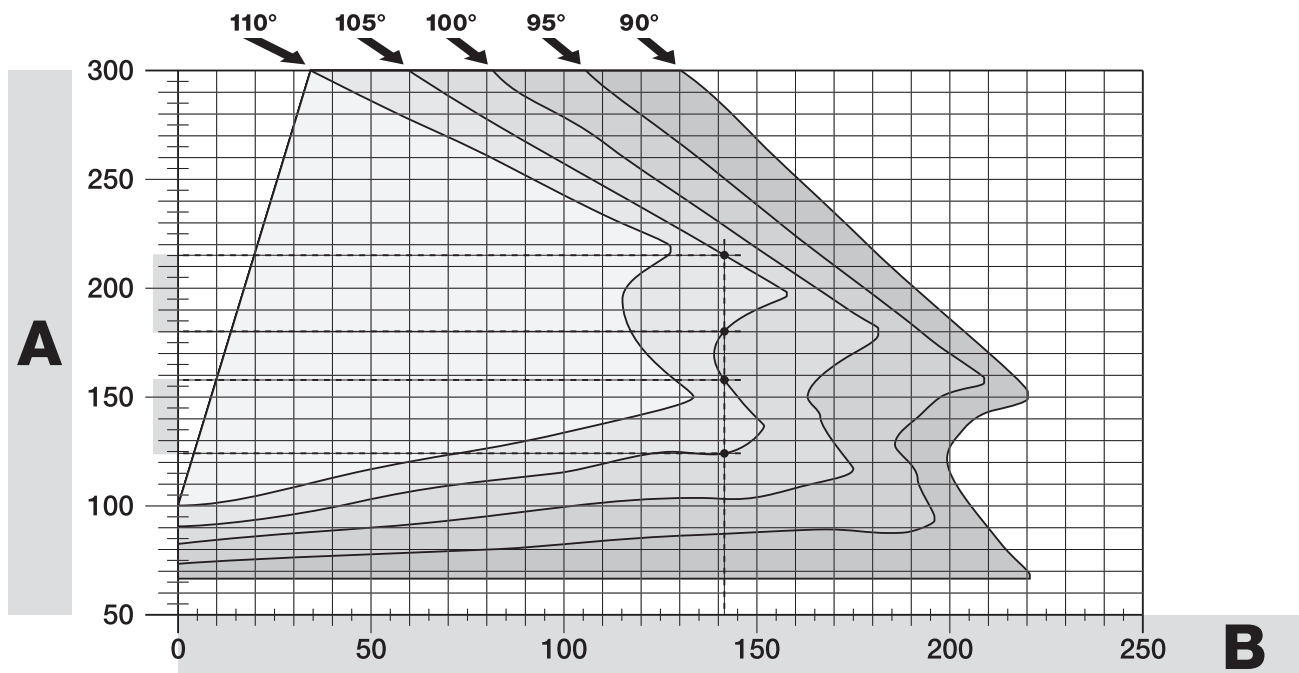
i) Przymocować ramię do uchwytu, umieszczając sworzeń i pierścien blokujący. **Ważne** - Skontrolować, czy uchwyt i ramię są idealnie wypoziomowane. Ewentualnie poluzować śruby uchwytu i wypoziomować. Ta kontrola może zostać przeprowadzona również poprzez odmierzenie wysokości 75 mm (zobacz rys. 8 faza 2).

l) W sposób pewny i definitywny zamocować na ziemi ograniczniki krańcowe, w **tej samej pozycji**, jaka została określona na początku procedury. **Uwaga!** - Sprawdzić, czy skrzydło zamyka się idealnie względem ogranicznika krańcowego (nie zawarty w zestawie).

m) Ustawić skrzydło bramy w połowie uchylenia i zablokować siłownik za pomocą odpowiedniego kluczyka (zobacz rozdz. 3.8). Przesunąć ręcznie skrzydło o kilka centymetrów, w kierunku otwarcia.

03. Jeśli brama do automatyzacji jest dwuskrzydłowa, w celu zainstalowania kolejnego siłownika należy powtórzyć wszystkie czynności opisane w rozdziale 3.4.

WYKRES 2A



3.4.3 - Instalacja siłownika o ZREDUKOWANEJ DŁUGOŚCI RAMIENIA

Uwaga! - Ta instalacja może zostać przeprowadzona tylko, jeśli zakończona została procedura 3.4.1.

01. Zdefiniować nowe maksymalne otwarcie skrzydła bramy (maksimum 90°): nie biorąc pod uwagę maksymalnego Otwarcia skrzydła ustalonego w trakcie procedury 3.4.1, umieścić skrzydło w nowym położeniu maksymalnego Otwarcia, upewniając się, czy kąt nie przekroczył 90°. Zablokować skrzydło odbojnikiem, zamieszczonym w sposób prowizoryczny.

02. Zdefiniować wymiary A - B - C:

a) Zmierzyć na słupku **wymiar B** (rys. 10). Jest to odległość pomiędzy osią obrotu skrzydła a powierzchnią słupka, do którego zostanie zamocowany tylny uchwyt siłownika.

b) Zaznaczyć na **Wykresie 2B wymiar B** i poprowadzić z tego punktu linię pionową.

c) Na słupku, zaznaczyć wartość **wymiaru A** i zamocować w tym punkcie tylny uchwyt siłownika (odnieść się do rys. 11). **Ważne!** - Wybrać wartość **A** jak jak najmniejszą, aby oddalić siłownik od przeszkody.

d) Zaznaczyć na **Wykresie 2B wymiar A** i poprowadzić z tego punktu linię poziomą, aż do przecięcia z uprzednio wyznaczoną linią pionową. Punkt skrzyżowania dwóch linii określa **wymiar C**, czyli odległość pomiędzy dwoma sworzniami ramienia ze szczeliną (rys. 12). *Przykład znajdujący się na Wykresie 2B: jeśli wartość B wynosi 105 mm, a wartość A wynosi 143 mm, punkt C równa się 182.*

03. Zamocować siłownik na słupku (rys. 13):

a) Oprzeć siłownik na słupku(*) tak, by jego oś pionowa pokrywała się z pionową linią wyznaczoną wcześniej (wymiar A), a jego ramię, z linią poziomą wyznaczoną w trakcie procedury 3.4.1. Na tym etapie należy upewnić się, czy siłownik znajduje się idealnie w wymaganym położeniu (pion): siłownik znajdujący się poza osią może być przyczyną nieprawidłowego funkcjonowania automatu.

(* **Uwaga** - Jeśli powierzchnia słupka ma szerokość zawierającą się pomiędzy 80 a 135 mm, przed kontynuowaniem montażu, należy obrócić o 90° tylny uchwyt mocujący siłownik. W celu obrócenia uchwytu należy odnieść się do rys. 8.

b) Zaznaczyć punkty mocowania i przy pomocy wiertarki wywiercić otwory w słupku; rozmieścić kołki rozporowe i zamocować siłownik, używając śrub i odpowiednich podkładek.

04. Zmniejszyć długość ramienia ze szczeliną (rys. 14):

a) Aby zmniejszyć długość ramienia ze szczeliną do **wymiaru C** (określonego w punkcie 02-d), zdjąć nakrętkę, zdjąć ogranicznik, ustawić w odpowiedniej odległości oba sworznie wg wymiaru C a, następnie nałożyć **prowizorycznie nakrętkę**.

05. Sprawdzić czy wymiar C ramienia ze szczeliną jest zgodny (rys.15 - 16):

a) Sprowadzić skrzydło bramy do pozycji maksymalnego Zamknięcia;

b) Otworzyć całkowicie ramię siłownika, w maksymalnym kącie otwarcia (zobacz rys. 15, faza 1);

c) Zbliżyć ramię do skrzydła, opierając na nim uchwyt mocujący: **uwaga!** - **rękami docisnąć wygięte ramię względem skrzydła, aż do zablokowania ramienia (maksymalne otwarcie - zobacz rys. 15, faza 1a).**

d) Upewnić się, czy ramię siłownika jest idealnie wypoziomowane i ołówkiem zaznaczyć **dokładny środek otworów** na śruby, aby w przyszłości umożliwić końcową regulację zamknięcia skrzydła (zobacz paragraf 3.7).

e) Zamocować prowizorycznie uchwyt na skrzydle, a następnie umieścić skrzydło w pozycji maksymalnego Otwarcia, opierając na odbojniku

f) Przy skrzydle umieszczonym w tej pozycji, należy przeprowadzić kontrolę ukazaną na **rys. 16** (rozłożyć linkę przechodzącą nad dwoma sworzniami ramienia ze szczeliną, aż do zawiasu skrzydła). **Uwaga!** - Jeżeli **względem zawiasu** linka znajduje się w pozycji "BB" jak na **rys. 16**, konieczne jest **wydłużenie** o kilka milimetrów **wymiaru C**. Ta czynność musi być powtarzana, aż do momentu, gdy linka znajdzie się w pozycji "AA", jak na **rys. 16**, i gdy ramię nie będzie już dotykać muru lub innej stałej przeszkody.

06. Odciąć zbędną część ramienia ze szczeliną (rys. 17):

Po sprawdzeniu prawidłowego działania, należy odciąć zbędną część ramienia ze szczeliną w sposób następujący.

a) Wyznaczyć linię na ramieniu ze szczeliną, w miejscu określonym dokładnie na **rys. 17**, faza 1. Zdjąć ramię z uchwytu i odciąć zbędną część ramienia.

b) Ponownie zamontować komponenty ramienia (rys. 3).

07. Zamocować ramię siłownika na skrzydle bramy (rys. 18):

a) Wykonać otwory w skrzydle w uprzednio oznaczonych punktach.

b) Zdjąć uchwyt ramienia i przymocować go do skrzydła bramy, za pomocą odpowiednich śrub.

c) Przymocować ramię do uchwytu, umieszczając sworznie i pierścienie blokujące. **Ważne** - Skontrolować, czy uchwyt i ramię są idealnie wypoziomowane. Ewentualnie poluzować śruby uchwytu i wypoziomować. Ta kontrola może zostać przeprowadzona również poprzez odmierzenie wysokości 75 mm (zobacz **rys. 8** faza 2).

d) W sposób pewny i definitywny zamocować na ziemi ograniczniki krańcowe, w tej samej pozycji, jaka została określona na początku procedury.

Uwaga! - Sprawdzić, czy skrzydło zamyka się idealnie względem ogranicznika krańcowego. W celu przeprowadzenia końcowej regulacji zamykania, zobacz paragraf 3.7.

e) Ustawić skrzydło bramy w połowie uchylenia i zablokować siłownik za pomocą odpowiedniego kluczyka (zobacz rozdz.3.8). Przesunąć ręcznie skrzydło o kilka centymetrów, w kierunku otwarcia.

08. Jeśli brama do automatyzacji jest dwuskrzydłowa, w celu zainstalowania kolejnego siłownika należy powtórzyć wszystkie czynności opisane w rozdziale 3.4.

3.5 - Instalacja wielofunkcyjnej lampy mod. WLT na siłowniku model WL1024C

Ostrzeżenie – WLT może działać jako migające światło sygnalizacyjne lub dodatkowe światło ostrzegawcze, w zależności od sposobu zaprogramowania centrali sterującej.

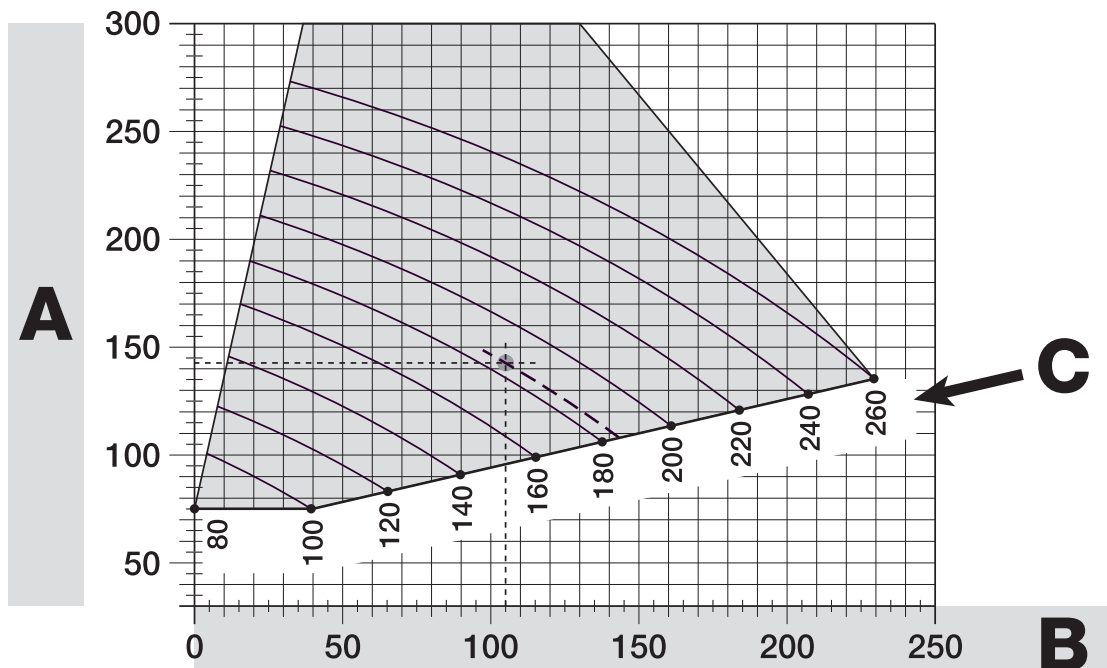
Postępować zgodnie z fazami instalacyjnymi ukazanymi na **rys. 21**, przestrzegając wskazanej kolejności i następujących wskazówek:

• dla fazy 4 – Obrócić zasilacz w kierunku wskazywanym przez strzałkę, zwracając uwagę na znajdujące się poniżej przewody, które łączą go z siłownikiem.

• dla fazy 7 – Odpowiednio rozłożyć przewody i umieścić konektor w wyjściu FLASH; zablokować przewody, umieszczając je w dławiku.

• dla fazy 11 – Umieścić kartę elektryczną w sworzniu podstawy, w zależności od zamierzonego użytkownika: **A** = światło rozproszone; **B** = światło punktowe (w tym przypadku strugę strumienia światła można dowolnie ustawiać poprzez umieszczenie karty w jednym z otworów znajdujących się w podstawie).

WYKRES 2B



• dla fazy 12 – Odpowiednio rozłożyć przewody, odciąć zbędną część i umieścić je tak, by nie tworzyły cienia na diodach led i czujniku światła umieszczonym z tyłu karty elektrycznej.

• odnośnie fazy 13 – Należy połączyć obie strzałki: tę umieszczoną na pokrywie z tą znajdującą się na podstawie. Upewnić się, czy 4 występy znajdujące się w podstawie zaczepią się o wewnętrzne rowki pokrywy.

Uwaga – Jeśli lampa wielofunkcyjna WLT nie jest zainstalowana w górnej części siłownika "Walky", należy podłączyć ją do zacisku ELS tak, jak opisani w paragrafie 4.1 - "Opis połączeń elektrycznych".

3.6 - Jak wyjąć centralę sterującą

01. Zdjąć dolną pokrywę siłownika (rys. 19 faza 1-2);

02. Odkręcić 4 śruby suportu przewodnicy przewodów i wyjąć go (rys. 24 faza 1-2);

03. Wysunąć centralę zgodnie z kierunkiem strzałki, na około 4 centymetry, i odłączyć wtyczkę silnika (rys. 24 faza 3-4);

04. Na koniec wyjąć całkowicie centralę.

Uwaga! - Przy ponownym podłączaniu silnika do centrali, należy przestrzegać biegunowości wtyczki (wtyczka może zostać włożona tylko w określonej pozycji).

3.7 - Regulacja ustawienia skrzydeł bramy w pozycji zamkniętej

01. Zdjąć ramię z wycięciem z uchwytu mocującego na skrzydle;

02. Poluzować śruby uchwytu i przesunąć go o kilka milimetrów, w kierunku siłownika;

03. Następnie umieścić ponownie ramię z wycięciem w uchwycie, zamknąć skrzydło i upewnić się, czy jest ono dobrze ustawione względem drugiego skrzydła i czy jest w kontakcie z ogranicznikiem krańcowym. **Uwaga!** - Jeśli konieczne, należy powtórzyć punkt 02, aż do uzyskania optymalnego ustawienia;

04. Wykonać otwór na skrzydle, w pobliżu otworu znajdującego się w środku uchwytu mocującego i umieścić w nim śrubę. Zablokować uchwyt, dokręcając trzy śruby;

05. Przymocować ramię do uchwytu, umieszczając trzpień i pierścień blokujący.

3.8 - Odblokowywanie i blokowanie ręczne siłownika

Siłownik jest wyposażony w system mechanicznego wysprężenia, umożliwiającą ręczną obsługę bramy.

Ręczną obsługę bramy stosujemy w wypadku awarii zasilania, usterki systemu lub podczas montażu.

Odblokować (rys. 22-A):

01. Podnieść pokrywę.

02. Włożyć klucz w odpowiedni trzpień odblokowujący.

03. Przekręcić klucz zgodnie z ruchem wskazówek zegara, wykonując prawie całkowity obrót.

04. Wyjąć klucz z trzpienia i obrócić pokrywę o 90°, w kierunku odwrotnym do ruchu wskazówek zegara, aż do zatkania otworu.

05. Teraz skrzydło bramy można przesunąć ręcznie do żądanej pozycji.

Zablokować (rys. 22-B):

01. Obrócić klucz na trzpieniu blokującym w kierunku odwrotnym do ruchu wskazówek zegara i przesunąć ręcznie skrzydło bramy do momentu, gdy zaskoczy mechanizm sprzęgła.

02. Wyjąć klucz z trzpienia i ponownie umieścić pokrywę.

4 PODŁĄCZENIA ELEKTRYCZNE

Podłączenie elektryczne poszczególnych urządzeń (fotokomórek, klawiatur cyfrowych, czytników transponderów, itd.) występujących w automatyce z centralą sterującą, jest realizowane przy pomocy systemu "Bluebus" firmy Nice. To system, który pozwala połączyć urządzenia za pomocą tylko dwóch przewodów zapewniających zasilanie i jednocześnie przekazujących sygnały do centrali. Wykorzystywane połączenie elektryczne jest typu równoległego i nie wymaga przestrzegania biegunowości. W trakcie fazy rozpoznawania, każde urządzenie podłączone do centrali zostanie rozpoznane przez nią pojedynczo, dzięki swojemu adresowi. Za każdym razem, gdy jakieś urządzenie będzie dodawane lub odłączane, konieczne będzie przeprowadzenie rozpoznania przez centralę (zobacz paragraf 4.7).

4.1 - Opis połączeń elektrycznych (rys. 23)

M1	wyjście dla siłownika 1
ELS	wyjście dla elektrozamka 12 Vac (maksymalnie 15 VA). Wyjście ELS może być programowane z innymi funkcjami (na przykład światelko sygnalizacyjne, światelko nocne) przy pomocy programatora Oview (zobacz rozdział 8.3).

BLUEBUS wejście dla urządzeń kompatybilnych (MOFB, MOFOB, MOB, MOTB itd.). Podłączenie urządzeń jest typu równoległego za pomocą 2 przewodów zapewniających zasilanie elektryczne i jednocześnie przekazujących sygnały do centrali; przy wykonywaniu podłą-

czenia nie jest konieczne przestrzeganie biegunowości. Każde urządzenie zostanie rozpoznane przez Centralę pojedynczo, dzięki swojemu adresowi, który zostaje przydzielony podczas montażu (zobacz rozdział 4.7).

STOP

wejście dla urządzeń, które swoim działaniem powodują natychmiastowe zatrzymanie wykonywanego polecenia, wykonując przy tym lekką zmianę kierunku; możliwe jest podłączenie styków typu NO, NC lub urządzeń o wyjściu o stałym oporze 8,2 kΩ (listwy ochronne). Każde urządzenie podłączone do tego wejścia, zostaje rozpoznane pojedynczo przez centralę w trakcie fazy rozpoznawania (paragraf 4.7); po zakończeniu tej fazy, jeśli centrala wykryje jakąkolwiek nieprawidłowość, uruchomiona zostaje funkcja STOP. Możliwe jest podłączenie do tego wejścia jedno lub kilku urządzeń także odmiennych od siebie:

– podłączenie równoległe dowolnej ilości urządzeń NO;

– podłączenie seryjne dowolnej ilości urządzeń NC;

– podłączenie równoległe 2 urządzeń z wyjściem o stałym oporze 8,2 kΩ. W przypadku więcej niż 2 urządzeń konieczne jest podłączenie ich "w kaskadę" przy pomocy 1 oporu 8,2 kΩ;

– podłączyć równoległe 2 urządzenia NO i NC, łącząc szeregowo styk NC i opór 8,2 kΩ (możliwa jest także kombinacja 3 urządzeń: NO - NC i 8,2 kΩ)

P.P.

wejście dla urządzeń sterujących, których działanie powoduje uruchomienie manewru w trybie Krok po Kroku; istnieje możliwość połączenia styków typu NO

ANTENA

wejście dla anteny odbiornika radiowego

4.2 - Podłączenie przewodu zasilania

OSTRZEŻENIE: w obrębie linii zasilania konieczne jest zainstalowanie urządzenia zapewniającego całkowite wyłączenie urządzenia z sieci. Urządzenie wyłączające musi posiadać odpowiednią odległość otwierania styków, która umożliwi całkowite wyłączenie w warunkach określonych jako kategoria przepięcia III, zgodnie z regułami montażu. Jeśli zajdzie taka konieczność, urządzenie to gwarantuje szybkie i bezpieczne odcięcie systemu od zasilania; musi być ono umieszczone w miejscu widocznym dla automatyki. Natomiast jeśli umieszczone jest w niewidocznym miejscu, musi posiadać system blokujący każde ewentualne niezamierzone połączenie lub uruchomienie zasilania, w celu wyeliminowania każdego możliwego niebezpieczeństwa. Urządzenie wyłączające nie jest dostarczane razem z produktem.

UWAGA!

– Czynnności podłączania muszą być przeprowadzane wyłącznie przez wykwalifikowany personel.

– Wszystkie podłączenia elektryczne muszą być przeprowadzone przy odłączonym zasilaniu elektrycznym i odłączonym akumulatoru rezerwowym, jeśli występuje w automatyce.

01. Aby uzyskać dostęp do zasilacza, odkręcić 3 śruby znajdujące się w górnej pokrywie siłownika i powoli odkręcić pokrywę zgodnie z kierunkiem strzałki (rys. 24), uważając na biegnące poniżej przewody;

02. Podłączyć przewód fazowy i neutralny do zacisków zasilacza, zgodnie ze wskazówkami na etykietce; przykręcić oczko przewodu uziemienia śrubą (rys. 25); **uwaga!** - ustawić końcówkę przewodu w kierunku otworu, z którego wychodzi przewód zasilania;

03. Pociągnąć przewód zasilania w kierunku centrali tak, aby jego długość była wystarczająca do obrócenia zasilacza i zamknięcia pokrywy;

04. Zamknąć pokrywę zasilacza, zaciśnąć śruby dławika, umieścić centralę sterującą w gnieździe i zamontować ponownie suport przewodnicy przewodów;

Uwaga! - Zamknąć pokrywę zasilacza przy pomocy wszystkich śrub i upewnić się, czy uszczelka jest dobrze umiejscowiona w gnieździe. Brak jednej śruby czy uszczelki może mieć negatywny wpływ na obwody wewnętrzne.

4.3 - Podłączenie siłownika bez centrali mod. WL1024

01. Zdjąć dolną pokrywę siłownika bez centrali tak, jak ukazano na rys 19, faza 1-2;

02. Odkręcić za pomocą śrubokręta krzyżakowego 4 śruby suportu przewodnicy przewodów (rys. 20) i zdjąć go (**uwaga!** - nie zgubić 2 elementów dystansowych).

03. Poluzować dwie śruby dławika (rys. 20, faza 6) i poprowadzić przewód podłączeniowy; podłączyć 3 żyły do listwy zaciskowej, zgodnie z symbolami na etykietce; na koniec zaciśnąć śruby dławika.

04. Używając klucza imbusowego, wyregulować 2 stopki wewnątrz siłownika, aż do ułożenia ich całkowicie na słupku (rys. 20, faza 7).

05. Uciąć krawędź suportu przewodnicy przewodów (rys. 20, faza 8); ponownie umieścić w pozycji 2 elementy dystansowe; zamontować ponownie przewodnicę przewodów (rys. 20, faza 9) i ponownie zamontować dolną pokrywę siłownika (rys. 20, faza 10).

4.4 - Podłączenie innych urządzeń

Jeśli konieczne jest zasilanie dalszych urządzeń przewidzianych w instalacji, np. czytnika transponderów lub światła oświetlającego przełącznik kluczykowy, możliwe jest podłączenie tych urządzeń do centrali sterującej przy pomocy zacisków "P.P. (pozytywny)" i "STOP (negatywny)" (rys. 23). Napięcie zasilania zawiera się pomiędzy 18 a 31 Vdc przy pracy z siecią zasilania lub solelyo i

pomiędzy 11 a 14 Vdc przy działaniu z akumulatorkiem rezerwowym PS424. Maksymalna wartość prądu wynosi 200 mA.

Uwaga – Napięcie w zaciskach "P.P." i "STOP", jest obecne również, gdy na karcie aktywowana zostaje funkcja "Stand By".

4.5 - Przydzielanie adresów fotokomórkom i innym urządzeniom BlueBus

Aby umożliwić centrali rozpoznanie fotokomórek podłączonych do zacisku Bluebus, konieczne jest przydzielenie im adresów: ustawić prawidłowo zworkę elektryczną znajdującą się na każdym urządzeniu tak, jak ukazano na rys. 31. Aby wykonać przydzielenie adresów innym urządzeniom, należy zapoznać się ze stosownymi instrukcjami obsługi.

4.6 - Pierwsze włączenie i sprawdzenie połączeń

Po doprowadzeniu zasilania elektrycznego do centrali sterującej, należy przeprowadzić następujące weryfikacje:

- po kilku sekundach, sprawdzić, czy dioda Led "Bluebus" (rys. 26) zapala się regularnie, tzn. 1 mignięcie na sekundę;
- sprawdzić, czy diody Led fotokomórek, zarówno TX jak i RX, zapalają się. Sposób migania, na tym etapie, nie ma znaczenia;
- sprawdzić, czy lampa wielofunkcyjna WLT jest wyłączona (ustawiona na funkcji migania) i podłączona do wyjścia FLASH znajdującego się na zasilaczu.

Jeśli tak się nie stanie, należy odłączyć zasilanie elektryczne od centrali i skontrolować wcześniej wykonane podłączenia elektryczne.

4.7 - Rozpoznawanie dołączonych urządzeń

Po przeprowadzeniu pierwszego włączenia należy koniecznie przeprowadzić czynności rozpoznawania przez centralę urządzeń podłączonych do wejść "Bluebus" i "Stop".

UWAGA! – Faza rozpoznawania musi zostać przeprowadzona, gdy do centrali nie jest podłączone żadne urządzenie.

Centrala jest w stanie rozpoznać pojedynczo każde z podłączonych urządzeń, dzięki procedurze rozpoznawania i wykrywania, z dużą precyzją, zaistniałych nieprawidłowości w funkcjonowaniu. W związku z tym, konieczne jest przeprowadzenie rozpoznawania urządzeń za każdym razem, gdy jedno z urządzeń zostanie podłączone lub odłączone.

Diody Led "L1" i "L2" znajdujące się na centrali (rys. 26), migają powoli, by zasygnalizować, iż konieczne jest przeprowadzenie procedury rozpoznawania:

01. Nacisnąć i przytrzymać jednocześnie przyciski "◀" i "Set" (rys. 26).
02. Zwolnić oba przyciski, gdy diody led "L1" i "L2" zaczną szybko migać (po około 3 sekundach).
03. Począkać kilka sekund, aż centrala zakończy fazę rozpoznawania urządzeń.
04. Po zakończeniu tej fazy dioda Led "Stop" musi być zapalona, a diody Led "L1" i "L2" muszą zgasnąć (może zdarzyć się, że diody Led "L3" i "L4" zaczną migać).





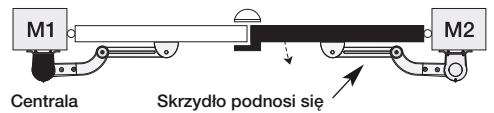

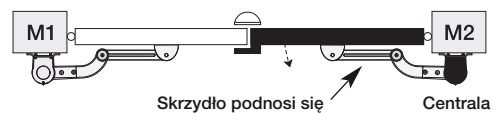

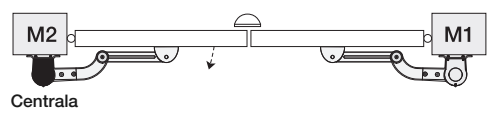

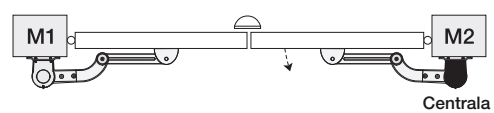

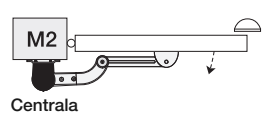

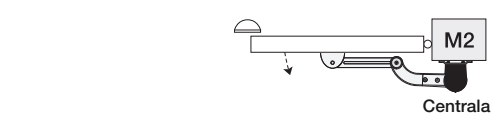

4.8 - Rozpoznawanie położenia ograniczników mechanicznych

Po zakończeniu procedury rozpoznawania urządzeń (paragraf 4.7), konieczne jest przeprowadzenie czynności rozpoznawania przez Centralę położenia ograniczników mechanicznych (maksymalne Otwarcie i maksymalne Zamknięcie); W tej fazie określa się kąt otwarcia skrzydeł od ogranicznika mechanicznego zamknięcia, aż do ogranicznika mechanicznego otwarcia. **Niezbędna jest obecność stałych ograniczników mechanicznych.**

01. Odnaleźć w Tabeli 2 rysunek odpowiadający Państwa systemowi, ustawić na centrali zworki elektryczne, JA i JB, w tej samej pozycji, jak określono na rysunku.
02. Odblokować silniki za pomocą odpowiednich kluczyków (zobacz rozdział 3.8) i ustawić skrzydła w połowie skoku tak, by miały swobodę ruchu otwierania i zamykania; następnie zablokować silniki.
03. Na centrali, nacisnąć i przytrzymać jednocześnie przyciski "Set" i "▶";
04. Gdy diody led "L3" i "L4" zaczną szybko migać, (po około 3 sek.) zwolnić oba przyciski;
05. Sprawdzić, czy automatyka wykonuje następujące sekwencje manewrów:
 - a - Wolne zamykanie siłownika M1, aż do zatrzymania mechanicznego
 - a - Wolne zamykanie siłownika M2, aż do zatrzymania mechanicznego
 - c - Wolne otwieranie siłownika M2 i siłownika M1, aż do zatrzymania mechanicznego
 - d - Całkowite szybkie zamykanie siłowników M1 i M2
 - Jeśli pierwszym manewrem jednego lub obu skrzydeł nie jest zamknięcie, nacisnąć jakikolwiek przycisk, by zatrzymać fazę rozpoznawania i skontrolować pozycję zworek elektrycznych JA i JB, odwołując się do Tabeli 2, lub sprawdzić biegunowość siłownika bez centrali (mod. WL1024).
 - Jeśli pierwszym silnikiem w ruchu nie jest M1, nacisnąć jakikolwiek przycisk, aby zatrzymać fazę wczytywania i skontrolować położenie mostków elektrycznych JA i JB, zgodnie z Tabelą 2.
 - Jeśli podczas fazy wczytywania, zadziała któreś z urządzeń (fotokomórki, przełącznik kluczykowy, naciśnięcie klawiszy itd.), faza wczytywania zostanie natychmiast przerwana. Konieczne więc będzie rozpoczęcie jej od początku.

06. Po zakończeniu manewru zamknięcia 2 silników (d), diody led "L3" i "L4" wyłączą się, co oznacza, iż procedura została wykonana prawidłowo.

TABELA 2

 <p>Centrala</p>	
 <p>Centrala</p>	
 <p>Centrala</p>	
 <p>Centrala</p>	
 <p>Centrala</p>	
 <p>Centrala</p>	
 <p>Centrala</p>	
 <p>Centrala</p>	

4.9 - Sprawdzenie ruchu skrzydeł bramy

Po zakończeniu fazy rozpoznawania i pozycji ograniczników mechanicznych, zaleca się wykonanie przez centralę kilku manewrów otwierania i zamykania tak, aby móc skontrolować, czy ruch bramy jest prawidłowy, ewentualne błędy w montażu czy regulacji lub inne nieprawidłowości:

01. Nacisnąć przycisk Open (rys. 26) i sprawdzić, czy w trakcie manewru Otwierania występuje faza przyspieszenia, faza stałej prędkości, faza zwolnienia i czy skrzydła zatrzymują się na mechanicznym ograniczniku otwierania.
02. Nacisnąć przycisk Open (rys. 26) i sprawdzić, czy w trakcie manewru Zamykania występuje faza przyspieszenia, faza stałej prędkości, faza zwolnienia i czy skrzydła zatrzymują się na mechanicznym ograniczniku zamykania.
03. Sprawdzić, czy podczas manewrów, lampa sygnalizacyjna miga w odstępie 0,5 sekundy przy włączonej lampie sygnalizacyjnej i w odstępie 0,5 sekundy przy wyłączonej lampie sygnalizacyjnej.

5

ODBIÓR TECHNICZNY I URUCHAMIANIE

Oto najważniejsze czynności wybrane tak, by zagwarantować maksimum bezpieczeństwa i niezawodność automatyki. Procedura testowania może być również zastosowana przy okresowej kontroli poszczególnych urządzeń automatyki. Procedura testowania i odbioru musi być przeprowadzona przez wykwalifikowany i doświadczony personel, który musi ocenić jakie testy przeprowadzić, oceniając wymagany poziom bezpieczeństwa i zgodność instalacji z obowiązującymi przepisami i normami, a szczególnie z postanowieniami EN 12445, która określa metody testów dla systemów automatyki bram. Urządzenia dodatkowe muszą zostać poddane specjalnej procedurze testowej, zarówno ze względu na ich funkcjonalność jak i odnośnie prawidłowego współdziałania z WALKY; należy postępować zgodnie z instrukcjami zawartymi w instrukcjach obsługi poszczególnych urządzeń.

5.1 - Odbiór

Sekwencja czynności do wykonania podczas procedury testowania odnosi się do typowej instalacji (rys. 2):

- 1 Odblokować ręcznie siłowniki i sprawdzić, czy naciskając na skrzydło bramy, w miejscu przewidzianym do manewrów ręcznych, możliwe jest przesunięcie skrzydeł bramy podczas otwarcia lub zamknięcia, przy użyciu siły mniejszej od 390 N.
- 2 Sprawdzić, czy skrzydło bramy, gdy pozostawione przy jakimkolwiek uchyleniu, jest nieruchome.
- 3 Zablokować siłowniki (zob. rozdział 3.8).
- 4 **UWAGA!** – Sprawdzić, czy podłączenia dokonane za pomocą śrub są odpowiednio ściśnięte.
- 5 Używając urządzeń sterujących (nadajnika, przycisku sterowania, przełącznika kluczykowego, itd.), wykonać próby Otwarcia, Zamknięcia i Zatrzymania bramy, upewniając się, czy ruch skrzydeł bramy odpowiada temu przewidzianemu. Zaleca się przeprowadzenie wielu, aby następnie móc określić ruch skrzydeł bramy i upewnić się, czy zostały wyeliminowane ewentualne błędy w montażu, błędy regulacyjne lub występowanie punktów tarcia.
- 6 Sprawdzić działanie wszystkich urządzeń zabezpieczających wchodzących w skład instalacji: (fotokomórki, listwy ochronne itd.). Gdy urządzenie uruchomi się, spowoduje 2 szybkie mignięcia diody led "BLUEBUS", znajdującej się na centrali, jako potwierdzenie przeprowadzonej procedury rozpoznania.
- 7 Jeśli niebezpieczne sytuacje powodowane przez ruch skrzydeł bramy zostały wyeliminowane poprzez ograniczenie uderzenia, należy zmierzyć siłę uderzenia wg normy EN 12445 i ewentualnie, by pomóc systemowi w ograniczeniu uderzenia, należy spróbować znaleźć regulację dającą najlepsze rezultaty.

- 8 Zamocować na stałe, w pobliżu automatyki, etykietkę, dotyczącą czynności ręcznego odblokowywania siłownika.

5.2 - Uruchamianie

Uruchomienie powinno nastąpić dopiero po pomyślnym zakończeniu wszystkich testów.

- 1 Sporządzić dokumentację techniczną automatyki, która powinna zawierać następujące dokumenty: rysunek zestawieniowy automatyki, schemat połączeń elektrycznych, analizę ryzyka wraz z opisem wdrożonych środków zapobiegawczych, deklarację zgodności producenta wszystkich użytych urządzeń oraz deklarację zgodności wypełnioną przez osobę, która dokonała montażu.
- 2 Na bramie umieścić tabliczkę zawierającą przynajmniej następujące dane: typ automatu, nazwę i adres producenta (osoby odpowiedzialnej za "rozruch"), numer fabryczny, rok produkcji i znak "CE".
- 3 Wypełnić Deklarację Zgodności i przekazać ją właścicielowi systemu automatyki.
- 4 Wypełnić i zwrócić właścicielowi automatyki "Instrukcję obsługi" automatyki.
- 5 Wypełnić i oddać właścicielowi automatyki "Program przeglądów", który powinien zawierać dane dotyczące konserwacji wszystkich urządzeń składających się na instalację.
- 6 Przed przekazaniem instalacji należy poinformować użytkownika o zagrożeniach i niebezpieczeństwach związanych z automatyką.

Odnośnie powyższej dokumentacji, firma Nice dzięki serwisowi obsługi technicznej oddaje do dyspozycji Klientów: instrukcje obsługi, przewodniki i wstępnie wypełnione formularze. Odwiedź także: www.nice-service.com

6 PROGRAMOWANIE CENTRALI STERUJĄCEJ

Na centrali znajdują się 3 przyciski OPEN (◀), STOP (SET), CLOSE (▶), które mogą być używane zarówno do sterowania centralą podczas faz próbnych jak i w trakcie programowania dostępnych funkcji.

Dostępne do zaprogramowania funkcje są rozłożone na 2 poziomach, a ich stan roboczy jest sygnalizowany przez 4 diody led (L1 ... L4) umieszczone na centrali (dioda led włączona = funkcja aktywna; dioda led wyłączona = funkcja nie aktywna).

Używanie przycisków programowania (rys. 26):

OPEN (◀): – przycisk sterujący Otwieraniem bramy; – przycisk wyboru w fazie programowania

STOP/SET: przycisk zatrzymujący manewr; jeśli naciśnięty przez dłużej niż 5 sekund, umożliwi przejście do fazy programowania.

OPEN (▶): – przycisk sterujący Zamykaniem bramy; – przycisk wyboru w fazie programowania

6.1 - Programowanie pierwszego poziomu (WŁ-WYŁ)

Wszystkie funkcje pierwszego poziomu są programowane fabrycznie na "OFF" i mogą zostać zmienione w każdym momencie. Aby sprawdzić poszczególne funkcje, patrz **Tabela 5**. Odnośnie procedury programowania, patrz **Tabela 6**.


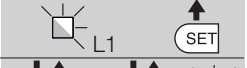



Uwaga – Niniejsze procedury mogą zostać ponownie wykonane w dowolnym momencie, również po podłączeniu do centrali nowego urządzenia.

WAŻNE – Procedura programowania przewiduje maksymalnie przerwę 10 sekund pomiędzy naciśnięciem pierwszego i drugiego przycisku. Po upływie tego czasu, procedura zostaje automatycznie zakończona, zapamiętując zmiany przeprowadzone do tego momentu.

TABELA 5 - Funkcje pierwszego poziomu

dioda	Funkcja	Opis
L1	Zamknij automatycznie	Funkcja AKTYWNA: po manewrze zamknięcia, ma miejsce czas pauzy (równy zaprogramowanemu czasowi pauzy), po którego upływie, centrala automatycznie uruchamia manewr zamknięcia. Wartość fabryczna Czasu pauzy wynosi 30 sek. Funkcja NIE AKTYWNA: funkcjonuje w trybie "półautomatycznym".
L2	Zamknij po fotokomórcie	Funkcja AKTYWNA: jeśli podczas manewru otwierania lub zamykania zadziałają fotokomórki, czas pauzy zostaje zredukowany o 5 sek. bez względu na zaprogramowany "czas pauzy". Przy wyłączonym "automatycznym zamknięciu", gdy przy Zamykaniu zadziałają fotokomórki, uruchamiane jest "zamykanie automatyczne" z zaprogramowanym "czasem pauzy".
L3	Zamknij zawsze	Funkcja AKTYWNA: w przypadku wystąpienia awarii elektrycznej (black-out), również krótkotrwałej, przy ponownym włączeniu prądu, centrala wykrywa otwartą bramę i automatycznie uruchamia manewr Zamknięcia, przed którego rozpoczęciem wykonuje 5- sekundowe miganie. Funkcja NIE AKTYWNA: przy ponownym włączeniu prądu, brama pozostanie w położeniu, w jakim znajdowała się wcześniej.
L4	Stand by (Bluebus)	Funkcja AKTYWNA: po 1 minucie od zakończenia manewru, centrala wyłącza wyjście "Bluebus" (urządzenia podłączone) i wszystkie diody led, z wyłączeniem diody led Bluebus, która zacznie nieco wolniej migać. Gdy centrala odbierze polecenie, powraca do normalnej pracy (z małym opóźnieniem). Ta funkcja ma na celu oszczędność energii; jest niezwykle istotna w przypadku zasilania na baterie lub poprzez panele słoneczne.

TABELA 6 - Procedura programowania pierwszego poziomu

01. Nacisnąć i przytrzymać przycisk "Set" przez około 3 sekundy;	
02. Zwolnić przycisk, gdy dioda led "L1" zacznie migać;	
03. Nacisnąć przycisk "◀" lub "▶", aby przejść z migającą diodą led na diodę led przedstawiającą funkcję, która ma ulec zmianie;	
04. Nacisnąć przycisk "Set" aby zmienić stan funkcji: (krótkie mignięcie = OFF - długie mignięcie = ON);	
05. Odczekać 10 sekund (czas maksymalny), aby wyjść z fazy programowania.	
Uwaga – Aby zaprogramować inne funkcje na "ON" lub "OFF", podczas wykonywania procedury należy powtórzyć punkty 03 i 04 podczas tej samej fazy.	


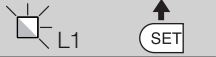


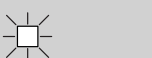

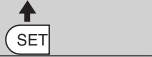

6.2 - Programowanie drugiego poziomu (parametry regulowane)

Wszystkie parametry drugiego poziomu są programowane fabrycznie tak, jak zaznaczono **szarym kolorem** w Tabeli 8 i mogą być modyfikowane w dowolnym momencie, postępując zgodnie ze wskazówkami w Tabeli 7.

Parametry, są regulowane w oparciu o skalę wartości od 1 do 4; aby sprawdzić

wartość odpowiadającą każdej diodzie Led, zob. **Tabela 8. WAŻNE** – Procedura programowania przewiduje maksymalnie przerwę 10 sekund pomiędzy naciśnięciem pierwszego i drugiego przycisku. Po upływie tego czasu, procedura zostaje automatycznie zakończona, zapamiętując zmiany przeprowadzone do tego momentu.

TABELA 7 - Procedura programowania pierwszego poziomu

01. Nacisnąć i przytrzymać przycisk "Set" przez około 3 sekundy;	
02. Zwolnić przycisk, gdy dioda led "L1" zacznie migać;	
03. Nacisnąć przycisk "◀" lub "▶", aby zaczęła migać "dioda led na wejściu" odpowiadająca parametrowi, który ma zostać zmieniony;	
04. Nacisnąć i przytrzymać przycisk "Set", aż do zakończenia punktu 06;	
05. Odczekać ok. 3 sekundy, aż do momentu, gdy zapali się dioda led odpowiadająca aktualnemu poziomowi parametru, który ma zostać zmieniony;	
06. Za pomocą przycisków "◀" lub "▶", aktywować diodę led, która odpowiada wartości parametru;	
07. Potem zwolnić przycisk "Set";	
08. Odczekać 10 sekund (czas maksymalny), aby wyjść z fazy programowania.	

Uwaga – Aby zaprogramować większą liczbę parametrów, podczas wykonywania procedury, należy powtórzyć czynności od punktu 03 do punktu 07 podczas tej samej fazy.

TABELA 8 - Funkcje drugiego poziomu

dioda wejście	Parametr	dioda Led (poziom)	Wartość	Opis
L1	Czas Pauzy	L1	5 sekund	Reguluje czas pauzy, tzn. czas przed ponownym zamknięciem automatycznym. Działa tylko, gdy aktywne jest Zamknięcie.
		L2	30 sekund	
		L3	60 sekund	
		L4	120 sekund	
L2	Funkcja Krok po Kroku	L1	Otwiera – stop – zamyka – stop	Reguluje sekwencje poleceń związanych z wejściem "Krok po kroku" lub ze sterowaniem radiowym. Uwaga – Ustawiając L4 ulegają zmianie również polecenia "Otwórz" i "Zamknij".
		L2	Otwiera – stop – zamyka – otwiera	
		L3	Otwiera – zamyka – otwiera – zamyka	
		L4	Zespół mieszkalny: • przy manewrze otwierania polecenia: "Krok po Kroku" i "Otwiera" nie powodują żadnego ruchu; natomiast polecenie "Zamyka" powoduje zmianę ruchu, tzn. zamknięcie skrzydeł. • przy manewrze zamykania polecenia: "Krok po Kroku" i "Otwiera" powodują zmianę ruchu, tzn. otwarcie skrzydeł bramy; natomiast polecenie "Zamyka" nie powoduje żadnego ruchu.	
L3	Prędkość silników	L1	Wolna	Reguluje prędkość silników w trakcie normalnego ruchu.
		L2	Średnia	
		L3	Szybka	
		L4	Bardzo szybka	
L4	Siła silników	L1	Poziom 1 - Siła minimalna	Reguluje siłę obu silników.
		L2	Poziom 2 - ...	
		L3	Poziom 3 - ...	
		L4	Poziom 4 - Siła maksymalna	

6.3 - Kasowanie pamięci

Aby skasować pamięć centrali i powrócić do wszystkich ustawień fabrycznych, należy postępować następująco: nacisnąć i przytrzymać przyciski "◀" i "▶", aż do momentu, gdy diody led L1 i L2 zaczną migać.

6.4 - Funkcje specjalne

Funkcja: "Wykonaj manewr mimo wszystko"

Ta funkcja pozwala na pracę automatyki również wtedy, gdy któreś z urządzeń zabezpieczających nie funkcjonuje prawidłowo lub jest uszkodzone.

Możliwe jest sterowanie automatyki w trybie "w obecności operatora", postępując w sposób następujący:

01. Wybrać polecenie uruchamiające bramę za pomocą nadajnika lub przełącznika kluczykowego, itd. Jeśli wszystko działa prawidłowo, brama porusza się regularnie, w przeciwnym razie należy postępować następująco;

02. Przed upływem 3 sekund należy ponownie wybrać polecenie, które ma zostać wykonane;

03. Po ok.2 sekundach, brama wykona manewr wymagany w trybie "w obecności operatora"; tzn. brama będzie się poruszać tylko wtedy, gdy wciśnięty będzie przycisk polecenia.

Gdy urządzenia zabezpieczające nie działają, lampa sygnalizacyjna miga, sygnalizując typ zaistniałego problemu (zobacz rozdział 7 - Tabela 10).

Niektóre urządzenia są przygotowane do wydawania sygnałów, za pomocą których można rozpoznać ich stan roboczy lub ewentualne nieprawidłowości. Jeśli do wyjścia FLASH znajdującym się na zasilaczu zostanie podłączona wielofunkcyjna lampa WLT, ustawiona na funkcji lampy sygnalizacyjnej, przy wykonaniu manewru rozpoczyna miganie z 1-sekundowym odstępem. Jeśli wystąpią jakiegokolwiek nieprawidłowości, lampa sygnalizacyjna zacznie wydawać

coraz krótsze sygnały; są one powtarzane dwukrotnie z 1-sekundową przerwą. W Tabeli 10 opisano przyczyny i rozwiązania odnoszące się do każdego typu sygnalizacji.

Również diody Led znajdujące się na centrali wydają stosowne sygnały; w Tabeli 11 opisano przyczyny i rozwiązania odnoszące się do każdego typu sygnalizacji.

TABELA 10 - Sygnalizacja lampy sygnalizacyjnej (FLASH)

Miga	Problem	Rozwiązanie
1 krótkie mignięcie odstęp 1 - sekundowy 1 krótkie mignięcie	Błąd systemu Bluebus	Kontrola urządzeń podłączonych do systemu Bluebus, która jest przeprowadzana na początku manewru, nie odpowiada urządzeniom zapamiętanym podczas fazy rozpoznawania. Możliwe jest, iż niektóre z urządzeń będą odłączone lub uszkodzone i w związku z tym należy dokonać ich kontroli i wymiany. Jeżeli dokonano jakichkolwiek modyfikacji należy ponownie przeprowadzić rozpoznawanie urządzeń (zobacz paragraf 4.7).
2 krótkie mignięcie odstęp 1 - sekundowy 2 krótkie mignięcie	Interwencja fotokomórki	Jedna lub więcej fotokomórek nie pozwalają na ruch skrzydeł bramy lub w trakcie ruchu doszło do cofnięcia ruchu; sprawdzić, czy nie ma przeszkód.
3 krótkie mignięcie odstęp 1 - sekundowy 3 krótkie mignięcie	Zadziałanie funkcji "Wykrywanie przeszkód" przez ogranicznik siły	Podczas ruchu, silniki zastosowały zwiększoną siłę; sprawdzić przyczynę i ewentualnie zwiększyć poziom siły silników
4 krótkie mignięcie odstęp 1 - sekundowy 4 krótkie mignięcie	Interwencja wejścia STOP	Na początku manewru lub w trakcie ruchu zadziałały urządzenia podłączone do wejścia STOP; sprawdzić przyczynę.
5 krótkie mignięcie odstęp 1 - sekundowy 5 krótkie mignięcie	Błąd wewnętrznych parametrów centrali sterującej	Odczekać przynajmniej 30 sekund, a następnie ponownie spróbować wydać polecenie i ewentualnie wyłączyć zasilanie; jeśli stan urządzenia nie zmieni się, oznacza to, iż prawdopodobnie doszło do poważnej usterki i należy wymienić kartę elektroniczną.
6 krótkie mignięcie odstęp 1 - sekundowy 6 krótkie mignięcie	Przekroczony został maksymalny limit kolejnych manewrów lub manewrów wykonanych w ciągu godziny	Należy odczekać kilka minut tak, by ogranicznik manewrów powrócił poniżej wartości maksymalnego limitu.
7 krótkie mignięcie odstęp 1 - sekundowy 7 krótkie mignięcie	Anomalie w obwodach elektrycznych	Odczekać przynajmniej 30 sekund, a następnie ponownie spróbować wydać polecenie i ewentualnie wyłączyć zasilanie; jeśli stan urządzenia nie zmieni się, oznacza to, iż prawdopodobnie doszło do poważnej usterki i należy wymienić kartę elektroniczną.
8 krótkie mignięcie odstęp 1 - sekundowy 8 krótkie mignięcie	Już wcześniej uruchomione zostało polecenie, które nie pozwala na wykonanie innych poleceń	Sprawdzić rodzaj polecenia, które zostało wybrane; na przykład, może to być polecenie wydane z zegara wejściowego "KROK PO KROKU".
9 krótkie mignięcie odstęp 1 - sekundowy 9 krótkie mignięcie	Automatyka została zablokowana przez polecenie "Zablokuj automatykę"	Odblokować automatykę, wysyłając polecenie "Odblokuj automatykę".

TABELA 11 - Sygnalizacja diod Led umieszczonych na centrali sterującej (rys. 23)

dioda	Problem	Rozwiązanie
BLUEBUS Zawsze wyłączone	Anomalie	Upewnić się, czy centrala jest zasilana; sprawdzić, czy bezpieczniki nie zadziałały. W takim wypadku, należy sprawdzić przyczynę usterki i wymienić bezpieczniki na nowe o tych samych wartościach
Zawsze włączone	Poważne anomalie	Wystąpił poważny problem: spróbować odłączyć zasilanie elektryczne od centrali i jeśli urządzenie nie zmieni swojego stanu, należy wymienić kartę elektroniczną
1 mignięcie na sekundę	Wszystko prawidłowo	Prawidłowa praca centrali
2 szybkie mignięcia	Zmiana stanu wejść	Jest regularne, jeśli ma miejsce zmiana jednego z wejść (PP, STOP); zadziałają fotokomórki lub wydane zostanie polecenie przez nadajnik
Seria mignięć oddzielonych 1-sekundowym odstępem	Różne	Odwołać się do Tabeli 10
STOP Zawsze wyłączone	Interwencja urządzeń podłączonych do wejścia STOP	Sprawdzić urządzenia wejścia STOP
Zawsze włączone	Wszystko prawidłowo	Wejście STOP aktywne
P.P. Zawsze wyłączone	Wszystko prawidłowo	Wejście P.P. nie aktywne
Zawsze włączone	Interwencja wejścia P.P.	Jest regularne, jeśli urządzenie podłączone do wejścia P.P. jest aktywne
L1 - L2 Wolne miganie	Zmiana liczby urządzeń podłączonych do Bluebus lub rozpoznanie urządzenia nie wykonane	Należy koniecznie wykonać rozpoznanie urządzeń (zob. paragraf 4.7)
L3 - L4 Wolne miganie	Nigdy nie zostało wykonane rozpoznanie pozycji ograniczników mechanicznych	Należy koniecznie przeprowadzić rozpoznanie (zob. paragraf 4.8).

Dla WALKY przewidziano następujące akcesoria (odbiornik radiowy): programator Oview, system zasilany energią słoneczną Solemyo i akumulatory rezerwowy mod. PS424.

8.1 - Podłączenie odbiornika radiowego OXI

Aby podłączyć odbiornik OXI, należy odłączyć zasilanie elektryczne od centrali i postępować tak, jak wskazano na **rys. 27**. W **Tabeli 12** i **Tabeli 13** opisano polecenia, które odpowiadają wyjściom znajdującym się na centrali.

TABELA 12

SMXI / SMXIS lub OXI / OXIFM / OXIT / OXITFM w trybie I lub trybie II

Wyjście nr1	Polecenie "P.P." (Krok po Kroku)
Wyjście nr2	Polecenie "Otwarcie częściowe 1"
Wyjście nr3	Polecenie "Otwiera"
Wyjście nr4	Polecenie "Zamyka"

TABELA 13

OXI / OXIFM / OXIT / OXITFM w trybie II rozszerzonym

Nr	Polecenie	Opis
1	Krok po Kroku	Polecenie "P.P." (Krok po Kroku)
2	Otwarcie częściowe1	Polecenie "Otwarcie częściowe 1"
3	Otwiera	Polecenie "Otwiera"
4	Zamyka	Polecenie "Zamyka"
5	Stop	Zatrzymuje manewr
6	Krok po Kroku Zespół Mieszkalny	Polecenie w trybie Zespół Mieszkalny
7	Krok po kroku Priorytet	Steruje również przy zablokowanej automatycze lub aktywnych poleceniach
	Otwiera częściowo 2	Otwiera częściowo (otwarcie skrzydła M2, równego połowie otwarcia całkowitego)
9	Otwiera częściowo 3	Otwiera częściowo (otwarcie obu skrzydeł, równych połowie otwarcia całkowitego)
10	Otwiera i Blokuje automatykę	Powoduje manewr otwarcia i po jego zakończeniu blokuje automatykę; centrala nie akceptuje żadnego innego polecenia, z wyjątkiem "Krok po Kroku Priorytet", "Odblokuj" automatykę albo (tylko z Oview) polecenia: "Odblokowuje i zamyka" oraz "Odblokowuje i otwiera"
11	Zamyka i Blokuje automatykę	Powoduje manewr otwarcia i po jego zakończeniu blokuje automatykę; centrala nie akceptuje żadnego innego polecenia, z wyjątkiem "Krok po Kroku Priorytet", "Odblokuj" automatykę albo (tylko z Oview) polecenia: "Odblokowuje i zamyka" oraz "Odblokowuje i otwiera"
12	Blokuje automatykę	Powoduje zatrzymanie manewru i blokadę automatyki; centrala nie akceptuje żadnego innego polecenia, z wyjątkiem "Krok po kroku Priorytet", "Odblokuj" automatykę albo (tylko z Oview) polecenia: "Odblokowuje i zamyka" oraz "Odblokowuje i otwiera".
13	Odblokowuje automatykę	Powoduje odblokowanie automatyki i powrót do normalnej pracy
14	On Timer Światelko nocne	Zapala się wyjście Światelka nocnego z czasowym wyłączeniem
15	On-Off Światelko nocne	Włącza się lub wyłącza wyjście Światelka nocnego w trybie On - Off

8.2 - Podłączenie i instalacja akumulatora rezerwowego mod. PS424

UWAGA! - Podłączenie elektryczne akumulatora do centrali musi być wykonane tylko po zakończeniu wszystkich etapów montażu i programowania, ponieważ akumulator spełnia funkcję zasilania awaryjnego.

Aby zainstalować i podłączyć akumulatory, należy postępować zgodnie z fazami montażowymi pokazanymi na **rys. 28**.

8.3 - Podłączenie programatora Oview

Na centrali umieszczona jest wtyczka BusT4, do której można podłączyć jednostkę programującą Oview, która pozwala na całkowite i szybkie kierowanie fazą instalacyjną, konserwacyjną i diagnostyczną całej automatyki. Aby uzyskać dostęp do wtyczki należy koniecznie postępować zgodnie z wskazówkami zamieszczonymi na **rys. 29** i podłączyć wtyczkę do odpowiedniego gniazda. Oview może zostać podłączony do kilku Centrali jednocześnie (aż do 5 bez szczególnych zaleceń, aż do 60 - przestrzegając stosownych zaleceń) i może pozostać podłączony do centrali, także podczas normalnego działania automatyki. W takim przypadku można użyć, w celu bezpośredniego wysłania poleceń do centrali, specjalnego menu "użytkownik". Możliwe jest również dokonanie uaktualnienia Firmware. Jeśli w centrali znajduje się odbiornik radiowy należący do rodziny OXI, używając Oview można uzyskać dostęp do parametrów nadajników zapisanych przez odbiornik.

Odnosnie wszystkich informacji dodatkowych należy odwołać się do odpowiedniej instrukcji obsługi i instrukcji systemu "Opera system book".

8.4 - Podłączenie systemu zasilanego energią słoneczną Solemyo

UWAGA! - Gdy automatyka jest zasilana przez system "Solemyo", **NIE MUSI BYĆ ZASILANIA** jednocześnie z sieci elektrycznej.

W razie dalszych informacji o systemie Solemyo należy odwołać się do stosownej instrukcji obsługi.

Aby przygotować podłączenie do systemu Solemyo, należy postępować zgodnie z fazami montażowymi ukazanymi na **rys. 30**.

Aby skompletować połączenie pomiędzy Solemyo a centralą siłownika, należy użyć odpowiedniego kabla przejściowego.

9 KONSERWACJA PRODUKTU

W celu utrzymania stałego poziomu bezpieczeństwa i zagwarantowania maksymalnej trwałości całego systemu automatyki, konieczna jest regularna konserwacja.

Konserwacja powinna zostać przeprowadzona, zgodnie z zaleceniami dotyczącymi bezpieczeństwa, opisanymi w niniejszej instrukcji obsługi oraz obowiązującymi przepisami i normami.

System należy poddawać częstym testom, w celu sprawdzenia, czy występują braki równowagi skrzydeł, oznaki zużycia lub uszkodzenia przewodów. Nie używać automatyki, jeśli wymaga ona regulacji lub naprawy.

Ważne –Podczas konserwacji lub czyszczenia produktu, należy odłączyć centralę od zasilania elektrycznego i od baterii, o ile występują.

Odnosnie innych urządzeń znajdujących się w systemie, należy postępować zgodnie z odpowiednimi planami konserwacji.

Dla siłowników WL1024C, WL1024 konieczna jest konserwacja planowa, maksymalnie co 6 miesięcy lub 20 000 manewrów od poprzedniej konserwacji.

Aby przeprowadzić konserwację należy postępować w sposób następujący:

01. Odłączyć wszystkie źródła zasilania elektrycznego, wraz z ewentualnymi akumulatorami rezerwowymi;
02. Sprawdzić stan zużycia uchwyty i kołków rozporowych ze szczególnym zwróceniem uwagi na erozję i utlenianie części; wymienić te części, których stan nie daje wystarczającej gwarancji użytkowej;
03. Wykonać próbę odblokowania, aby sprawdzić ich prawidłową pracę, zobacz paragraf 3.8.
04. Podłączyć ponownie źródła zasilania elektrycznego i przeprowadzić wszystkie testy i kontrole przewidziane w rozdziale 5.1 - Odbiór techniczny.

UTYLIZACJA PRODUKTU

Produkt ten jest integralną częścią automatyki i w związku z tym musi być poddany utylizacji razem z nią.

Podobnie jak przy instalacji, także przy zakończeniu użytkowania niniejszego produktu czynności utylizacji powinny być wykonane przez personel wykwalifikowany.

Niniejszy produkt składa się z różnego rodzaju materiałów: niektóre z nich mogą być powtórnie użyte, inne muszą zostać poddane utylizacji. Należy zasięgnąć informacji o systemach wtórnego przerobu i utylizacji, przewidzianych przez lokalne przepisy dla tej kategorii produktu.

Uwaga! – Niektóre elementy produktu mogą zawierać substancje szkodliwe lub niebezpieczne, które pozostawione w otoczeniu mogłyby zaszkodzić środowisku lub zdrowiu ludzkiemu.

Zgodnie ze wskazaniem symbolu na rysunku obok, zabronione jest wyrzucanie tego produktu razem z odpadami domowymi. W celu utylizacji produktu należy przeprowadzić "segregację odpadów" na potrzeby utylizacji, według metod przewidzianych przez lokalne przepisy, lub zwrócić produkt sprzedawcy podczas zakupu nowego, równorzędnego produktu.



Uwaga! – lokalne przepisy mogą przewidywać poważne sankcje w przypadku samodzielnej likwidacji tego produktu.

Utylizacja akumulatora rezerwowego (jeśli występuje)

Uwaga! – Rozładowany akumulator zawiera substancje zanieczyszczające i dlatego nie można wyrzucać go do odpadów miejskich.

Należy poddać go utylizacji, używając metod "sortowania" odpadów. zgodnie z obowiązującymi normami na danym terytorium.

CHARAKTERYSTYKA TECHNICZNA PRODUKTU

OSTRZEŻENIE: • Niniejsza charakterystyka techniczna odnosi się do temperatury środowiskowej równej 20°C (± 5°C). • Nice S.p.a. zastrzega sobie prawo do dokonywania zmian w produkcie, gdy tylko uzna to za konieczne, zawsze zachowując cechy i przeznaczenie użytkowe produktu.

Typologia: Siłownik elektromechaniczny do automatycznych bram i drzwi z silnikiem zasilanym przez prąd stały, z reduktorem epicykloidalnym, wysprzęglaniem mechanicznym. Jedynie dla modelu WL1024C: centrala sterująca wbudowana i odbiornik radiowy OXI

Maksymalny moment startowy: 100 Nm

Moment nominalny: 50 Nm

Prędkość na pusto: 0,20 rad/s - 0,3 rad/s

Prędkość do momentu nominalnego: 0,16 rad/s - 0,24 rad/s

Maksymalna częstotliwość cykli pracy: 100 cykli wykonanych w ciągu dnia (centrala WL1024C ogranicza cykle do maksymalnej ilości około 50)

Maksymalny czas ciągłego cyklu pracy: około 10 minut

Zakres zastosowania: produkt może być stosowany dla bram o ciężarze do 180 kg (skrzydło o wartości 0,8 m) lub o długości skrzydła do 1,8 m i kącie otwarcia aż do 110°

Zasilanie: WL1024C: 230 Vac (+10% -15%) 50/60 Hz; WL1024: 24 Vdc (50%); WL1024C/V1: 120 Vac (+10% -15%) 50/60 Hz

Zasilanie awaryjne: Przygotowane dla akumulatorów rezerwowych PS424

Zasilanie przez panele słoneczne: przygotowane dla Kit SOLEMYO

Moc nominalna pobierana przez sieć elektryczną (WL1024C): 120 W

Pobierany prąd nominalny (WL1024): 2 A; przy starcie wartość prądu wynosi 3 A przez maksymalny czas 2 s

Pobierana moc sieci elektrycznej przy aktywnej funkcji "Standby – Wszystko (1)" (włącznie z odbiornikiem OXI): 3 W

Pobierana moc podczas pracy z użyciem akumulatora rezerwowego lub zestawu KIT SOLEMYO z aktywną funkcją "Standby-Wszystko (1)" (włącznie z odbiornikiem OXI): poniżej 100 mW

Wyjście elektrozamek [*]: elektrozamek 12 Vac max 15 VA

Wyjście lampy sygnalizacyjnej [*]: lampa WLT lub lampa 12Vdc, 21 W max

Wyjście BLUEBUS: wyjście z maksymalnym obciążeniem 15 jednostek Bluebus (maksymalnie 6 par fotokomórek MOFB lub MOFOB plus 2 pary fotokomórek MOFB lub MOFOB zaadresowanych jako urządzenia otwierające plus maksimum 4 urządzenia sterujące MOMB lub MOTB)

Wejście STOP: dla styków normalnie zamkniętych, normalnie otwartych lub o stałym oporze równym 8,2 kΩ; wybór typu styku ma miejsce podczas samo-rozpoznawania i każda późniejsza zmiana względem zapisanego stanu, powoduje uruchomienie polecenia "STOP"

Wejście PP: dla styków normalnie otwartych (zamknięcie styku powoduje uruchomienie polecenia Krok po Kroku)

Złącze radiowe: łącze SM dla odbiorników z rodziny SMXI, OXI i OXIFM

Wejście ANTENY Radia: 50 Ω dla przewodu typu RG58 lub podobnych

Funkcje do zaprogramowania: 4 funkcje typu ON-OFF (Tabela 5) i 4 funkcje do regulacji (Tabela 8)

Funkcje przy samo-rozpoznawaniu: • Samo-rozpoznawanie urządzeń podłączonych do wyjścia BlueBus. • Samo-rozpoznawanie typu urządzenia podłączonego zacisku "STOP" (styk NO, NC lub o oporze 8,2 kΩ). • Samo-rozpoznawanie ruchu skrzydeł i automatyczne obliczenie punktów zwolnienia i częściowego otwarcia. • Samo-rozpoznawanie działania z jednym lub z dwoma silnikami

Montaż: W pionie, na odpowiedniej płycie mocującej

Temperatura robocza: od -20°C do +50°C (przy niskich temperaturach skuteczność siłownika maleje)

Użytkowanie w atmosferze szczególnie kwaśnej, słonej lub potencjalnie wybuchowej: NIE

Stopień ochrony: IP 44 (z wbudowanym pojemnikiem)

Wymiary (mm): 90 x 125 x 385 h

Ciężar (kg): (WL1024C) 4,8; (WL1024) 4,3

Uwagi:

(1) - Funkcja aktywowana przy pomocy programatora Oview.

[*] - Dla wyjść przewodów w centrali ("Elektrozamek") i na zasilacz ("Flash") można zaprogramować też inne funkcje, używając programatora Oview. Cechy elektryczne tych dwóch wyjść są dopasowane ze względu na rodzaj wybranej funkcji:

• funkcja "elektrozamek": 12Vac, 15VA max;

• funkcja "lampa sygnalizacyjna": lampa wielofunkcyjna WLT lub lampa 12Vdc, 21W max;

• inne funkcje: lampa lub przekaźnik 24Vdc (-30% i +30%), 4 W max, jeśli praca centrali zależy od napięcia sieciowego lub lampa albo przekaźnik 12Vdc (-10% e +25%), 4 W max, jeśli praca centrali zależy od akumulatora rezerwowego PS424.

Trwałość produktu

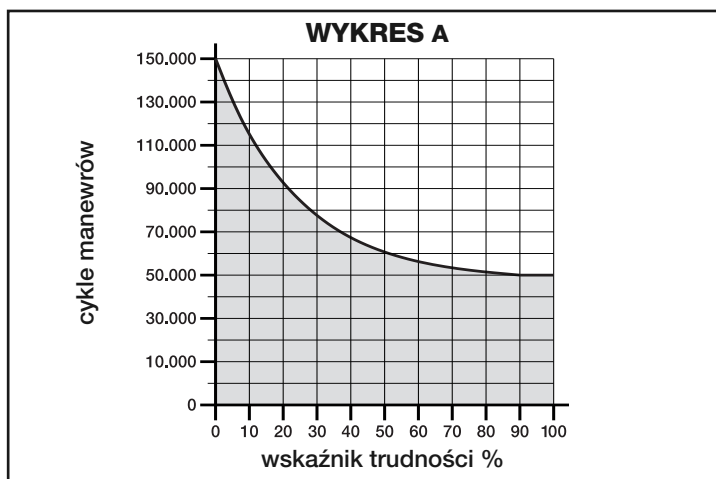
Trwałość produktu odnosi się do średniej żywotności urządzenia. Trwałość produktu jest silnie uzależniona od wskaźnika trudności manewrów wykonywanych przez automatykę, tzn. od sumy wszystkich czynników wpływających na zużycie produktu (zobacz Tabela 14).

Aby ustalić szacunkową trwałość Państwa systemu automatyki należy postępować następująco:

01. Obliczyć wskaźnik trudności poprzez podsumowanie wartości procentowych danych znajdujących się w **Tabeli 14**;

02. Na **Wykresie A** z odnalezionej wartości, poprowadzić linię pionową, aż do momentu skrzyżowania z linią wygiętą; z tego punktu poprowadzić linię poziomą, aż do skrzyżowania z linią "cykle manewrów". Ustalona wartość odnosi się do szacunkowej trwałości Państwa produktu.

Szacunkową trwałość kalkuluje się w oparciu o obliczenia projektowe i wyniki testów wykonywanych na prototypach. Należy pamiętać, iż jest to jedynie szacunkowa wartość i w żadnym wypadku nie jest ona gwarancją efektywnej trwałości produktu.



Przykład obliczania trwałości siłownika Walky z pełnym ramieniem (odwołać się do Tabeli 14 i do Wykresu A): - ciężar skrzydła: 55 Kg; - długość skrzydła = 1,7 m (wskaźnik trudności: 55%); - nie przedstawia pozostałych czynników obciążeniowych; Całkowity wskaźnik trudności = 55%; Szacowana trwałość = 55.000 cykli manewrów

TABELA 14

Długość skrzydła	Ciężar skrzydła	Wskaźnik trudności	
		STANDAROWEJ DŁUGOŚCI RAMIENIA	ZREDUKOWANEJ DŁUGOŚCI RAMIENIA
< 1,2 m	> 100 kg	55%	65%
	< 100 kg	30%	50%
1,2 - 1,6 m	> 80 kg	55%	65%
	< 80 kg	40%	50%
> 1,6 m	> 60 kg	55%	-
	< 60 kg	40%	-
Temperatura otoczeniowa powyżej 40°C lub poniżej zero 0°C albo wilgotność powyżej 80%		15%	15%
Skrzydło puste		15%	10%
Montaż w miejscu wietrzynym		15%	10%

DEKLARACJA ZGODNOŚCI CE

Uwaga - Treść niniejszej deklaracji odnosi się do danych zadeklarowanych w ostatniej dostępnej wersji, przed oddaniem do druku niniejszej instrukcji obsługi, oficjalnego dokumentu zdeponowanego w siedzibie firmy Nice Spa. Niniejszy tekst został dopasowany do celów wydawniczych.

Numer: 322/WL..

Korekta: 0

Niżej podpisany Luigi Paro jako Zarządca Pełnomocny deklaruje na własną wyłączną odpowiedzialność, że produkt:

Nazwa producenta

NICE s.p.a.

Adres

Via Pezza Alta 13, Z.I. Rustigné, 31046 Oderzo (TV) Italia

Typ:

Siłownik elektromechaniczny

Modele:

WL1024C, WL1024

Akcesoria:

OXI, OVBT, OVBTGSM, SYKCE, PS424

jest zgodny z ustaleniami następujących dyrektyw unijnych:

- 98/37/WE (89/392/EWG zmieniona) DYREKTYWA 98/37/WE PARLAMENTU EUROPEJSKIEGO I RADY z dnia 22 czerwca 1998 w sprawie zbliżenia ustawodawstw Państw Członkowskich odnoszących się do maszyn zgodnie z postanowieniami dyrektywy 98/37/WE ostrzega się, iż przekazanie do eksploatacji powyższego produktu nie jest dozwolone, dopóki producent maszyny zawierającej ten produkt nie zidentyfikuje go i nie zadeklaruje jako zgodnego z dyrektywą 98/37/WE.

Ponadto, produkt jest zgodny z następującymi dyrektywami unijnymi, zmienionymi zgodnie z Dyrektywą 93/68/EWG rady z dnia 22 lipca 1993:

- 2006/95/EWG (ex dyrektywa 73/23/WE) DYREKTYWA 2006/95/WE PARLAMENTU EUROPEJSKIEGO I RADY z dnia 12 grudnia 2006 w sprawie zbliżenia ustawodawstw Państw Członkowskich odnoszących się do sprzętu elektrycznego przewidzianego do stosowania w określonych granicach napięcia Zgodnie z następującymi normami zharmonizowanymi: EN 60335-1:1994+A11:1995+A12:1996+A13:1998+A14:1998+A15:2000+A2:2000+A16:2001
- 2004/108/EWG (ex dyrektywa 89/336/EWG) DYREKTYWA 2004/108/WE PARLAMENTU EUROPEJSKIEGO I RADY z dnia 15 grudnia 2004 w sprawie zbliżenia ustawodawstw Państw Członkowskich odnoszących się do kompatybilności elektromagnetycznej i która znosi dyrektywę 89/336/EWG Zgodnie z następującymi normami zharmonizowanymi: EN 61000-6-2:2005; EN 61000-6-3:2007

Ponadto jest zgodny; wyłącznie dla części stosowanych, z następującymi normami: EN 60335-1:2002+A1:2004+A11:2004+A12:2006+ A2:2006, EN 60335-2-103:2003, EN 13241-1:2003; EN 12453:2002; EN 12445:2002; EN 12978:2003

Oderzo, 29 maja 2009

Luigi Paro (Zarządca Pełnomocny)

Inhoudsopgave

1 - WAARSCHUWINGEN EN ALGEMENE VOORZORGSMAATREGELEN	1
1.1 - Veiligheidswaarschuwingen	1
1.2 - Waarschuwingen voor de installatie	1
1.3 - Waarschuwingen voor het gebruik	1
2 - BESCHRIJVING VAN HET PRODUCT EN GEBRUIKSBESTEMMING	1
3 - INSTALLATIE	2
3.1 - Aan de installatie voorafgaande werkzaamheden	2
3.2 - Gebruiksbeperkingen	2
3.3 - Voorbereidende werkzaamheden voor de installatie	2
3.4 - Installatie van de reductiemotor mod. WL1024C - WL1024	3
3.4.1 - De lengte van de arm van de reductiemotor bepalen	3
3.4.2 - Installatie van de reductiemotor met ARM MET STANDAARDLENGTE	3
3.4.3 - Installatie van de reductiemotor met INGEKORTE ARM	4
3.5 - Installatie van de multifunctionele lamp mod. WLT op de reductiemotor model WL1024C	4
3.6 - De besturingseenheid verwijderen	5
3.7 - De uitlijning van de hekdeuren bij het sluiten afstellen	5
3.8 - De reductiemotor handmatig deblokken en blokkeren	5
4 - ELEKTRISCHE AANSLUITINGEN	5
4.1 - Beschrijving van de elektrische aansluitingen	5
4.2 - De stroomkabel aansluiten	5
4.3 - De reductiemotor zonder besturingseenheid mod. WL1024 aansluiten	5
4.4 - Andere inrichtingen aansluiten	6
4.5 - De aangesloten inrichtingen adresseren	6
4.6 - Eerste inschakeling en controle van de aansluitingen	6
4.7 - De aangesloten inrichtingen herkennen	6
4.8 - De standen van de mechanische aanslagen herkennen	6
4.9 - Controle van de beweging van de hekdeuren	6
5 - TESTEN EN INBEDRIJFSTELLING	6
5.1 - Testen	7
5.2 - Inbedrijfstelling	7
6 - PROGRAMMERING VAN DE BESTURINGSEENHEID	7
6.1 - Programmering van het eerste niveau (ON-OFF)	7
6.2 - Programmering van het tweede niveau (afstelbare parameters)	8
6.3 - Het geheugen wissen	8
6.4 - Speciale functies	8
7 - WAT TE DOEN ALS... (probleemoplossingen)	9
8 - UITDIEPEN	10
8.1 - Aansluiting van de radio-ontvanger OXI	10
8.2 - Aansluiting en installatie van de bufferbatterij mod. PS424	10
8.3 - Aansluiting van het programmeertoestel Oview	10
8.4 - Aansluiting van het zonne-energiesysteem Solemyo	10
9 - ONDERHOUD VAN HET PRODUCT	10
HET PRODUCT AFDANKEN	11
TECHNISCHE KENMERKEN VAN HET PRODUCT	11
Duurzaamheid van het product	12
EG-VERKLARING VAN OVEREENSTEMMING	12
BIJLAGE	I
Aanwijzingen en aanbevelingen voor de gebruiker	IX
Afbeeldingen	X

1 WAARSCHUWINGEN EN ALGEMENE VOORZORGSMAATREGELEN

1.1 - Veiligheidswaarschuwingen

- **LET OP!** – Deze handleiding bevat belangrijke instructies en waarschuwingen voor de veiligheid. Een verkeerde installatie kan ernstig letsel veroorzaken. Voordat u met het werk begint, moet de handleiding aandachtig helemaal worden doorgelezen. In geval van twijfel stopt u met installeren en vraagt u de servicedienst van Nice om uitleg.
- **LET OP!** – Belangrijke aanwijzing: bewaar deze instructies voor eventuele onderhoudswerkzaamheden en om het product af te danken.
- **LET OP!** – Volgens de meest recente Europese wetgeving moet een automatische deur of hek de voorschriften van de richtlijn 2006/42/EG (ex 98/37/EG) (Machinerichtlijn) in acht nemen en in het bijzonder de voorschriften EN 12445; EN 12453; EN 12635 en EN 13241-1, waarmee de conformiteit van de automatisering kan worden verklaard. **Met het oog hierop mogen alle werkzaamheden betreffende de installatie, de aansluiting, het testen en het onderhoud van het product uitsluitend door een erkende vakman worden verricht!**

1.2 - Waarschuwingen voor de installatie

- Voordat u met de installatie begint, controleert u of het aanwezige product geschikt is voor het gewenste gebruik (zie "Gebruiksbeperkingen" paragraaf 3.2 en de "Technische kenmerken van het product"). Ga NIET over tot de installatie, als het niet geschikt is.
- **Alle installatie- en onderhoudswerkzaamheden moeten worden verricht bij van het elektriciteitsnet gekoppelde automatisering.** Als de ontkoppelinrichting van de voeding niet zichtbaar is vanaf de plaats waar het automatische systeem is geplaatst, moet er voordat met het werk begonnen wordt een bord op de ontkoppelinrichting worden bevestigd met het opschrift "LET OP! ONDERHOUD IN UITVOERING".
- De besturingseenheid moet op een elektrische voedingslijn voorzien van aarding worden aangesloten.
- Behandel het product tijdens de installatie met zorg en voorkom dat het wordt geplet, er tegen wordt gestoten, dat het valt, of in aanraking komt met welke vloeistoffen dan ook. Zet het product niet in de buurt van warmtebronnen en stel het niet bloot aan open vuur. Hierdoor kan het beschadigd worden, waardoor storingen of gevaarlijke situaties kunnen ontstaan. Als dit mocht gebeuren, stopt u de installatie onmiddellijk en wendt u zich tot de Servicedienst van Nice.
- Wijzig geen enkel deel van het product. Niet toegestane werkzaamheden kunnen alleen storingen veroorzaken. De fabrikant wijst elke vorm van aansprakelijkheid af voor schade veroorzaakt door willekeurige wijzigingen aan het product.
- Als het hek of de poort, die moet worden geautomatiseerd, van een voetgangersdeur is voorzien, moet de installatie een controlesysteem krijgen, dat de werking van de motor blokkeert als de voetgangersdeur open is.
- Het verpakkingsmateriaal van het product moet met inachtneming van de plaatselijke voorschriften worden weggegooid.

1.3 - Waarschuwingen voor het gebruik

- Het is niet de bedoeling dat dit product wordt gebruikt door personen (kinderen hierbij inbegrepen) met verminderde lichamelijke, sensorische of geestelijke vermogens, of zonder voldoende ervaring en kennis, tenzij het onder toezicht van een voor hun veiligheid verantwoordelijke persoon wordt gebruikt, of hen door hem goede instructies zijn gegeven over het gebruik van het product.
- Er moet toezicht worden gehouden op kinderen, die zich in de buurt van de automatisering bevinden. Controleer of ze er niet mee spelen.
- Laat kinderen niet met vaste bedieningsinrichtingen spelen. Houd draagbare bedieningen (afstandsbedieningen) buiten het bereik van kinderen.

2 BESCHRIJVING VAN HET PRODUCT EN GEBRUIKSBESTEMMING

De inrichtingen waar dit product uit bestaat, zijn bestemd voor de automatisering van een hek of een poort met één of twee deuren. **LET OP! - Ieder ander gebruik dan wat beschreven wordt en onder andere omgevingsomstandigheden dan die in deze handleiding staan, moeten als verkeerd en verboden worden beschouwd!**

Het hoofdonderdeel van de automatisering bestaat uit één of twee elektromechanische reductiemotoren (afhankelijk van het aantal deuren dat moet worden geautomatiseerd), elk voorzien van een gelijkstroommotor en een epicycloïdale reductor. Eén van de reductiemotoren (mod. WL1024C) is voorzien van een besturingseenheid, die de werking ervan bestuurt. De besturingseenheid bestaat uit een printplaat met radio-ontvanger om de opdrachten te ontvangen, die door de zender zijn verzonden.

De besturingseenheid is ervoor gemaakt om op verschillende inrichtingen te worden aangesloten, die deel uitmaken van het Opera Systeem, het Bluebus systeem en het Solemyo voedingsstelsel met zonne-energie. Als ze door het elektriciteitsnet wordt gevoed, kan ze een bufferbatterij (mod. PS424, optioneel accessoire) bevatten, die bij stroomuitval (elektrische black-out) garandeert dat het automatische systeem in de erop volgende uren enkele handelingen kan verrichten.

Als de stroom uitvalt, kunnen de hekdeuren worden bewogen door de reduc-

tiemotor met de hiervoor bestemde sleutel te deblokken. Om de handmatige manoeuvre te verrichten, raadpleegt u hoofdstuk 3.8.

Andere beschikbare accessoires zijn de ontvangers voorzien van koppeling "SM" (SMXI, OXI, enz.).

Op de reductiemotor met besturingseenheid (mod. WL1024C) kan een multifunctionele lamp mod. WLT (zie hoofdstuk 3.5) worden geïnstalleerd, die afhankelijk van de programmering van de besturingseenheid als knipperend waarschuwingslicht of verlichting kan fungeren. Het kan bovendien worden gebruikt als schermerlicht door een ingebouwde sensor in te schakelen. Raadpleeg de handleiding ervan voor de specificaties.

3 INSTALLATIE

3.1 - Aan de installatie voorafgaande werkzaamheden

Voordat op de installatie wordt overgegaan, moet worden gecontroleerd of de onderdelen van het product heel zijn en of het gekozen model en installatiegebied geschikt zijn:

- Controleer of alle materiaal dat gebruikt moet worden zich in zeer goede staat bevindt en geschikt is voor het voorziene gebruik.
- Controleer of de mechanische aanslagen op de grond (niet bijgeleverd), zowel bij het sluiten als bij het openen in de installatie aanwezig zijn.
- Controleer of het frame van het hek geschikt is om te worden geautomatiseerd en voldoet aan de in het gebied geldende voorschriften (raadpleeg eventueel de gegevens op het etiket van het hek). Dit product kan geen hek automatiseren dat niet al efficiënt en veilig is. Bovendien kan het geen storingen opheffen, veroorzaakt door een verkeerde installatie van het hek of door slecht onderhoud ervan.
- Controleer of de werkomstandigheden van de inrichtingen compatibel zijn met de verklaarde gebruiksbeperkingen (zie paragraaf 3.2).
- Beweeg de hekdeuren handmatig in de twee richtingen en verzeker u ervan dat de beweging op elk punt van de slag met constante wrijving plaatsvindt (er mogen geen punten zijn waarvoor meer of minder kracht nodig is).
- Zet de hekdeuren handmatig op een willekeurige stand. Laat ze los en verzeker u ervan dat ze zich niet verplaatsen.
- Controleer of het bevestigingsgebied van de reductiemotor compatibel is met de afmetingen van deze laatste (fig. 1).
- Verzeker u ervan dat er in het gebied waarin de reductiemotor moet worden geïnstalleerd voldoende ruimte is om de arm ervan helemaal te kunnen draaien.
- Verzeker u ervan dat er in de buurt van de reductiemotor voldoende ruimte is om de reductiemotor handmatig te deblokken.
- Verzeker u ervan dat de oppervlakken die gekozen zijn om de verschillende inrichtingen te installeren stevig zijn en een stevige bevestiging kunnen garanderen.
- Verzeker u ervan dat elke inrichting die moet worden geïnstalleerd zich op een beschermde plek bevindt, beschermd tegen per ongeluk stoten.
- Controleer of alle elektrische kabels, die gebruikt moeten worden van het type zijn, dat in **tabel 1** staat.

3.2 - Gebruiksbeperkingen

Voordat u de reductiemotor installeert, controleert u of de gegevens ervan binnen de vervolgens beschreven gebruiksbeperkingen vallen en binnen de grenzen van de waarden, die in het hoofdstuk "Technische kenmerken van het product" staan:

Met een motorarm met VOLLE (fabrieks) lengte:

- maximumbreedte van de deur: 1,80 m (= maximumgewicht van de deur: 100 kg)
- maximumhoogte van de deur: 2 m

Met INGEKORTE motorarm (door de monteur afgezaagd):

- maximumbreedte van de deur: 1,60 m (= maximumgewicht van de deur: 100 kg)
- maximumhoogte van de deur: 2 m

- Te verrichten controle: voer in **grafiek 1** het gewicht en de breedte van de deur in. Trek twee lijnen vanaf deze punten en verzeker u ervan dat ze zich in één van de twee **grijze gebieden** van de grafiek kruisen. **Let op!** - Als de lijnen zich in het witte gebied kruisen, kan dit product niet worden gebruikt om het hek te automatiseren.

- Om de reductiemotor te kunnen installeren, moet de pilaar **minstens** 80 mm breed zijn.

- De arm van de reductiemotor moet op het **hoge gedeelte** van de hekdeur worden geplaatst.

LET OP! - Het is verboden de reductiemotor ondersteboven te monteren, d.w.z. met de arm omlaag.

- De bevestigingsbeugel van de arm moet zich op een stevige plek van de deur bevinden (bijvoorbeeld, het frame), om een stevige en veilige bevestiging te garanderen;

- Controleer **afmeting "E"** (fig. 7):

- Als de **afmeting "E"** tussen de 80 mm (minimum) en 299 mm (maximum) ligt, moet de arm van de reductiemotor worden ingekort. In deze situatie kan het hek maximaal 90° worden geopend.

- Als de **afmeting "E"** 300 mm of meer is, hoeft de arm van de reductiemotor niet te worden ingekort. In deze situatie kan het hek maximaal 110° worden geopend.

3.3 - Voorbereidende werkzaamheden voor de installatie

Fig. 2 toont een voorbeeld van een automatisch systeem dat met Nice onderdelen is verwezenlijkt:

a - Reductiemotor met besturingseenheid mod. WL1024C

b - Reductiemotor zonder besturingseenheid mod. WL1024

c - Multifunctionele lamp mod. WLT (om op de reductiemotor met besturingseenheid mod. WL1024C te installeren); zie hoofdstuk 3.5 en de handleiding ervan

d - Stel fotocellen mod. MOFB

e - Digitaal toetsbord (mod. MOTB) - Transponderlezer (mod. MOMB) - Sleutelschakelaar (mod. MOSE)

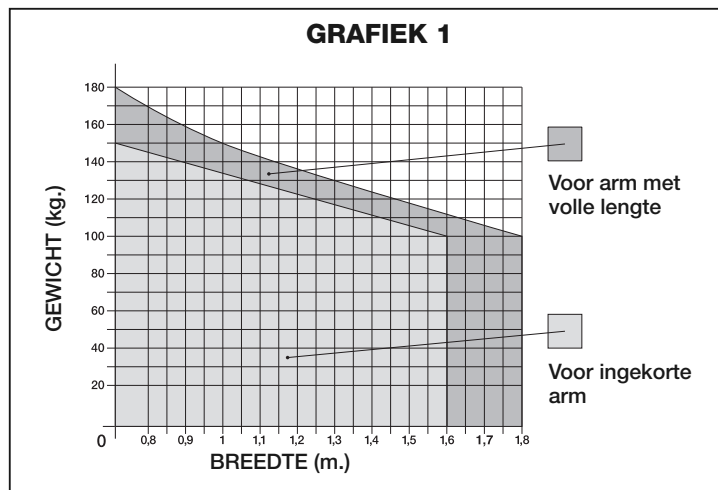
f - Stel steunen voor fotocellen

g - Mechanische aanslagen bij openen en sluiten

h - Elektroslot

Deze onderdelen zijn volgens een kenmerkend en gebruikelijk schema geplaatst. Door **fig. 2** te raadplegen, bepaalt u de plaats waar elk onderdeel dat door het systeem voorzien is ongeveer wordt geplaatst. **Belangrijk** - Voordat u de installatie verricht, bereidt u de elektrische kabels voor die voor uw installatie nodig zijn, door **fig. 2a** en "**Tabel 1 - Technische kenmerken van de elektrische kabels**" te raadplegen.

Let op - Houd er tijdens het plaatsen van de buizen waar de elektrische kabels doorheen moeten rekening mee, dat vanwege mogelijke aanwezigheid van water in de aftakputten, de aansluitingsbuizen condens in de besturingseenheid kunnen veroorzaken en de elektrische circuits kunnen beschadigen.



TABEL 1 - Technische kenmerken van de elektrische kabels

Aansluiting	Type kabel	Maximum toegestane lengte
A: VOEDINGSKABEL	1 kabel 3 x 1,5 mm ²	30 m (opmerking 1)
B: Kabel ELEKTROSLLOT	1 kabel 2 x 1 mm ²	6 m
C: Kabel BLUEBUS-inrichtingen	1 kabel 2 x 0,5 mm ²	20 m (opmerking 2)
D: Kabel SLEUTELSCHAKELAAR	2 kabels 2 x 0,5 mm ² (opmerking 3)	50 m
E: Kabel VOEDING REDUCTIEMOTOR	1 kabel 3 x 1,5 mm ²	6 m
Kabel EXTERNE ANTENNE (optie)	1 afgeschermde kabel type RG58	20 m (het wordt aangeraden dat hij korter is dan 5 m)

Opmerking 1 - Als de voedingskabel langer is dan 30 m, moet een dikkere kabel (3 x 2,5 mm²) worden gebruikt en moet een aarding in de buurt van de automatisering worden geïnstalleerd.

Opmerking 2 - Als de Bluebus kabel langer is dan 20 m, tot een maximum van 40 m, moet een dikkere kabel worden gebruikt (2 x 1 mm²).

Opmerking 3 - Deze 2 kabels kunnen door één enkele kabel van 4 x 0,5 mm² worden vervangen.

LET OP! - De gebruikte kabels moeten geschikt zijn voor het soort ruimte waarin de installatie plaatsvindt.

3.4 - Installatie van de reductiemotor mod. WL1024C - WL1024 WAARSCHUWINGEN

- Een verkeerde installatie kan de persoon, die het werk verricht, en de personen, die de installatie gebruiken, ernstig verwonden.
- Voordat u met de montage van de automatisering begint, verricht u de voorafgaande controles, die in paragraaf 3.1 en 3.2 beschreven worden.
- De arm van de reductiemotor kan worden ingekort. Hij moet korter zijn als zich een vast obstakel tegen de reductiemotor bevindt (muur, paal, enz.), waardoor de arm niet volledig kan bewegen. Om te begrijpen of de arm al dan niet moet worden ingekort, moet u, voordat u met de installatie begint procedure 3.4.1 verrichten.

Zet de onderdelen waar de arm van de motor uit bestaat in elkaar en raadpleeg hierbij fig. 3. Breng in deze fase de benzing borging niet aan (fig. 4). **BELANGRIJK!** - De gebogen arm moet met de bocht in de richting van de hekdeur worden geplaatst, zoals in fig. 5 wordt weergegeven.

3.4.1 - De lengte van de arm van de reductiemotor bepalen

01. Bepaal de stand van de reductiemotor in VERTICALE richting:
trek een horizontale lijn op de pilaar op dezelfde hoogte als waarop de bevestigingsbeugel van de arm na de installatie op de deur komt.

02. Bepaal de stand van de reductiemotor in HORIZONTALE richting:
a) Bepaal de maximale opening van de deur: stel de maximale openingshoek vast (maximaal 110°).

b) Meet afmeting B en bepaal afmeting A:

1 - Meet **afmeting B** (fig. 5) op de pilaar. Dit is de afstand tussen het draaipunt van de deur en het oppervlak van de pilaar, waar de beugel voor de achterkant van de reductiemotor wordt bevestigd.

2 - Geef in **grafiek 2A afmeting B** aan, die zojuist gevonden is en trek vanaf dit punt een verticale lijn tot de **zone** wordt gekruist, die de waarde van de bij punt **a** gemeten hoek bevat.

3 - Trek bij de snijpunten tussen de **verticale lijn** en de **zone** horizontale lijnen naar kolom "A", om de waarden vast te stellen, die bij **afmeting A** gebruikt kunnen worden. **Kies hier vervolgens een mogelijk minimum-waarde A uit.**

4 - Breng de waarde van **afmeting A** op de pilaar aan en trek een verticale lijn op deze hoogte (fig. 6).

5 - **Als zich in de buurt van de verticale lijn een muur of ander vast obstakel bevindt, meet u de afstand tussen deze lijn en het obstakel (fig. 7): deze afstand is afmeting E.**

LET OP!

• **Als afmeting E tussen 80 mm (minimum) en 299 mm (maximum) ligt, gaat u met de installatie verder door vervolgens procedure 3.4.3 te verrichten.**

• **Als afmeting E 300 mm of meer is, gaat u met de installatie verder door vervolgens procedure 3.4.2 te verrichten.**

5 - Deblokkeer de reductiemotor met de hiervoor bestemde sleutel (zie hoofdst. 3.8).

3.4.2 - Installatie van de reductiemotor met ARM MET STANDAARDLENGTE

Let op! - Deze installatie kan uitsluitend worden verricht na procedure 3.4.1 te hebben voltooid.

01. Bevestig de reductiemotor op de pilaar (fig. 8):

a) Leg de reductiemotor op de pilaar (*) en laat de verticale middenlijn met de voorheen getrokken verticale lijn (afmeting A) samenvallen, en zijn arm met de horizontale lijn, die u tijdens procedure 3.4.1 heeft getrokken. Verzekert u er tijdens deze fase van dat de reductiemotor perfect waterpas staat: een excentrische reductiemotor kan storingen in de automatisering veroorzaken. (*) **Opmerking** - Als het oppervlak van de pilaar tussen de 80 en 135 mm breed is, moet de bevestigingsbeugel voor de achterkant van de reductiemotor eerst 90° worden gedraaid, voordat u verder kunt met de installatie. Om de beugel te draaien, raadpleegt u fig. 9.

b) Geef de bevestigingspunten aan. Boor gaten in de pilaar en breng de pluggen aan. Bevestig nu de reductiemotor en gebruik hierbij geschikte schroeven en sluitingen.

02. Schroef de arm van de reductiemotor op de deur (fig. 8):

c) Zet de hekdeur op de maximaal gesloten stand;

d) Duw de arm van de reductiemotor krachtig **helemaal uit**. **Let op!** - Verzekert u ervan dat de arm aan de eindaanslag geblokkeerd wordt;

e) Breng de arm naar de deur toe en leg de bevestigingsbeugel tegen deze laatste.

f) Verzekert u ervan dat de arm van de reductiemotor waterpas staat en geef **het midden van het profiel van de slobgaten** van de beugel met een potlood aan, om in de toekomst een fijnafstelling van de sluiting van de hekdeur mogelijk te maken (zie paragraaf 3.7).

g) Terwijl u de beugel met één hand tegen de deur houdt, probeert u de deur tot aan de bijbehorende mechanische blokkeerinrichtingen helemaal te openen en te sluiten. **Let op!** - **Als de beweging van de arm tijdens de test door een muur of ander vast voorwerp wordt belemmerd, stopt u de procedure en verricht u procedure 3.4.3.**

h) Boor op de aangegeven plaatsen gaten in de hekdeur. Neem de beugel van de arm en bevestig hem met geschikte schroeven aan de hekdeur.

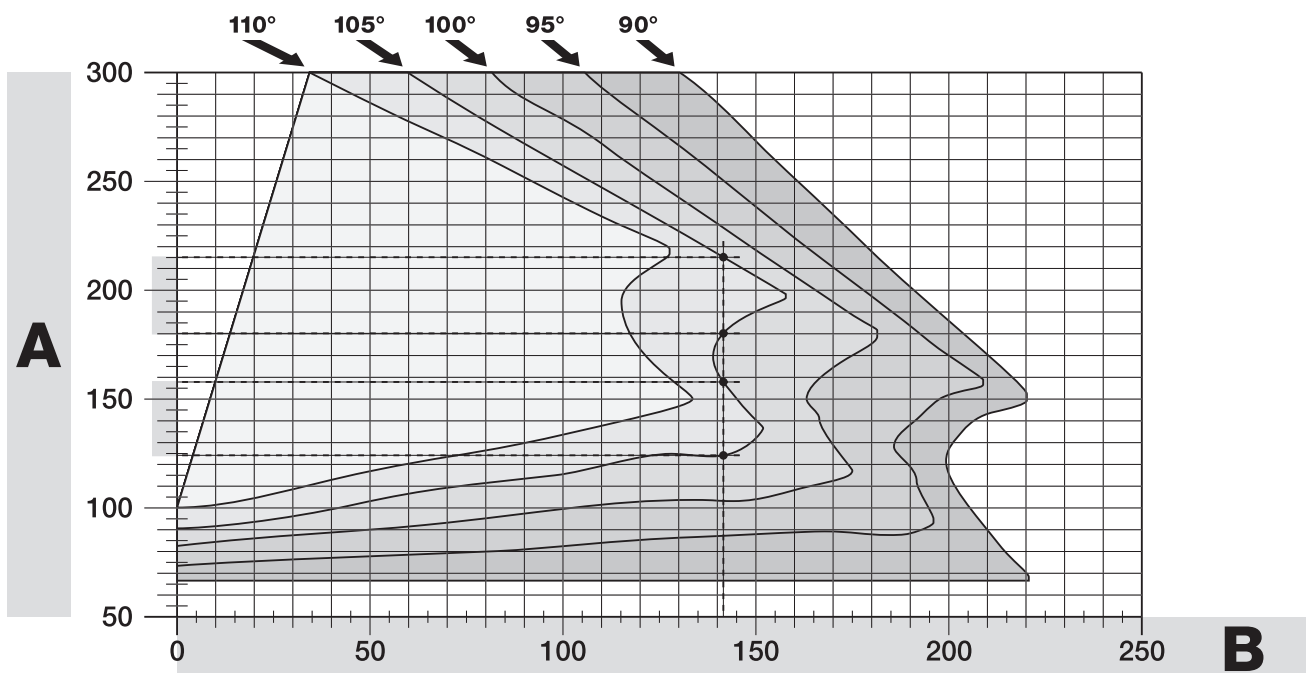
i) Bevestig de arm aan de beugel en breng de pin en de benzing borging aan. **Belangrijk** - Controleer of de beugel en de arm perfect waterpas zijn. Draai de schroeven van de beugel eventueel los en zet hem waterpas. Deze controle kan ook worden verricht door een afmeting van 75 mm te meten (zie fig. 8 fase 2).

l) Bevestig de blokkeerinrichtingen van de eindaanslag op dezelfde plaats, die aan het begin van de procedure is bepaald, stevig en definitief op de grond. **Let op!** - Controleer of de deur perfect tegen de blokkeerinrichting van de eindaanslag sluit (niet bijgeleverd).

m) Zet de hekdeur tenslotte handmatig halverwege de slag en zet de reductiemotor met de speciale sleutel vast (zie hoofdst. 3.8). Verplaats de hekdeur vervolgens enkele centimeters met de hand in de richting van de opening.

03. Als het hek dat geautomatiseerd moet worden twee deuren heeft, moeten, om de andere reductiemotor te installeren, alle handelingen worden herhaald, die in dit hoofdstuk 3.4 beschreven worden.

GRAFIEK 2A



3.4.3 - Installatie van de reductiemotor met INGEKORTE ARM

Let op! - Deze installatie kan uitsluitend worden verricht na procedure 3.4.1 te hebben voltooid.

01. Bepaal een nieuwe maximumopening van de deur (maximaal 90°): zonder rekening te houden met de maximumopening van de hekdeur, die tijdens procedure 3.4.1 is vastgesteld, zet u de deur op de nieuwe maximum geopende stand en verzekert u zich ervan dat de hoek niet groter is dan 90°. Zet de deur vervolgens met een **provisorisch op de grond bevestigde blokkeerinrichting op deze stand vast.**

02. Bepaal de afmetingen A - B - C:

a) Meet **afmeting B** op de pilaar (fig. 10). Dit is de afstand tussen het draaipunt van de deur en het oppervlak van de pilaar, waar de beugel voor de achterkant van de reductiemotor wordt bevestigd.

b) Geef in **grafiek 2B afmeting B** aan, die zojuist gevonden is en trek vanaf dit punt een verticale lijn.

c) Bepaal de waarde van **afmeting A** op de pilaar, waarop de beugel voor de achterkant van de reductiemotor moet worden bevestigd (raadpleeg fig. 11). **Belangrijk!** - Kies een, **mogelijk, minimumwaarde A uit, om de motor van het obstakel te verwijderen.**

d) Geef in **grafiek 2B afmeting A** aan, die zojuist gevonden is en trek vanaf dit punt een horizontale lijn, tot de voorheen getrokken verticale lijn wordt gekruist. Het ontmoetingspunt tussen de twee lijnen geeft **afmeting C** aan, d.w.z. de afstand die er moet zijn tussen de twee pinnen van de arm met slobgat (fig. 12). *Voorbeeld aanwezig in grafiek 2B: als de waarde van B 105 mm is en A is 143 mm, is punt C 182.*

03. Bevestig de reductiemotor op de pilaar (fig. 13):

a) Leg de reductiemotor op de pilaar(*) en laat de verticale middenlijn met de voorheen getrokken verticale lijn (afmeting A) samenvallen, en zijn arm met de horizontale lijn, die u tijdens procedure 3.4.1 heeft getrokken. Verzekert u er tijdens deze fase van dat de reductiemotor perfect waterpas staat: een excentrische reductiemotor kan storingen in de automatisering veroorzaken.

(*) **Opmerking** - Als het oppervlak van de pilaar tussen de 80 en 135 mm breed is, moet de bevestigingsbeugel voor de achterkant van de reductiemotor eerst 90° worden gedraaid, voordat u verder kunt met de installatie. Om de beugel te draaien, raadpleegt u fig. 8.

b) Geef de bevestigingspunten aan. Boor gaten in de pilaar en breng de pluggen aan. Bevestig nu de reductiemotor en gebruik hierbij geschikte schroeven en sluitringen.

04. Kort de arm met slobgat in (fig. 14):

a) Om de arm met slobgat tot **afmeting C** in te korten (gevonden bij punt 02-d), draait u de moer los, neemt u de blokkeerinrichting weg, zet u de twee pinnen volgens afmeting C uit elkaar en sluit u de moer tenslotte provisorisch.

05. Controleer afmeting C van de arm met slobgat in dit verband (fig. 15 - 16):

a) Zet de hekdeur op de maximaal gesloten stand;

b) Open de arm van de reductiemotor helemaal op de maximale openingshoek (zie fig. 15, fase 1);

c) Breng de arm naar de deur toe en leg de bevestigingsbeugel tegen deze laatste: **let op!** - **duw de gebogen arm met de handen tegen de hekdeur, tot de arm wordt geblokkeerd (maximum opening - zie fig. 15, fase 1a).**

d) Verzekert u ervan dat de arm van de reductiemotor waterpas staat en geef **het midden van het profiel van de slobgaten van de beugel met een potlood aan**, om in de toekomst een fijnafstelling van de sluiting van de hekdeur mogelijk te maken (zie paragraaf 3.7).

e) Bevestig de beugel provisorisch tegen de hekdeur en zet de deur op de maximaal geopende stand tegen de blokkeerinrichting op de grond.

f) Verricht de controle die in fig. 16 wordt getoond met de deur op deze stand (span een draad boven de twee pinnen van de arm met slobgat tot aan de scharnier van de deur). **Let op!** - Als de draad zich **ten opzichte van de scharnier op de stand "BB"** van fig. 16 bevindt, moet **afmeting C** enkele millimeters verlengd worden. Deze handeling moet worden herhaald tot de draad zich op stand "AA" van fig. 16 bevindt, en tot de arm niet meer tegen de muur of ander vast obstakel stoot.

06. Zaag de arm met slobgat af (fig. 17):

Na de juiste werking van de beweging te hebben gecontroleerd, zaagt u de arm met slobgat als volgt af.

a) Trek een lijn op de arm met slobgat, precies op de plaats die in fig. 23 wordt getoond, fase 1. Demonteer de arm vervolgens van de beugel en zaag het overbodige deel van de arm.

b) Zet de onderdelen van de arm weer in elkaar (fig. 3).

07. Bevestig de arm van de reductiemotor op de deur (fig. 18):

a) Boor op de voorheen aangegeven punten gaten in de deur.

b) Neem de beugel van de arm en bevestig hem met geschikte schroeven aan de hekdeur.

c) Bevestig de arm aan de beugel en breng de pin en de benzingsborgring aan. **Belangrijk** - Controleer of de beugel en de arm perfect waterpas zijn. Draai de schroeven van de beugel eventueel los en zet hem waterpas. Deze controle kan ook worden verricht door een afmeting van 75 mm te meten (zie fig. 8 fase 2).

d) Bevestig de blokkeerinrichtingen van de eindaanslag **op dezelfde plaats** die aan het begin van de procedure is bepaald, stevig en definitief op de grond.

Let op! - Controleer of de deur perfect tegen de blokkeerinrichting van de eindaanslag sluit. Raadpleeg paragraaf 3.8 voor de fijnafstelling van de sluiting.

e) Zet de hekdeur tenslotte handmatig halverwege de slag en zet de reductiemotor met de speciale sleutel vast (zie hoofdst. 3.7). Verplaats de hekdeur vervolgens handmatig enkele centimeters in de richting van de opening.

08. Als het hek dat geautomatiseerd moet worden twee deuren heeft, moeten, om de andere reductiemotor te installeren, alle handelingen worden herhaald, die in dit hoofdstuk 3.4 beschreven worden.

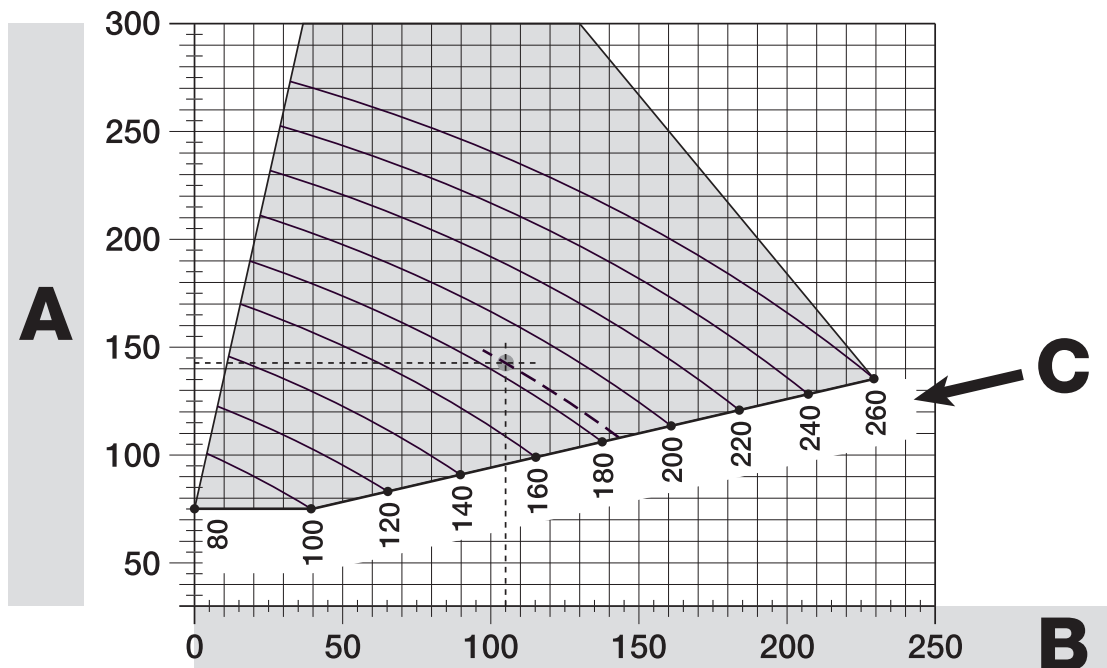
3.5 - Installatie van de multifunctionele lamp mod. WLT op de reductiemotor model WL1024C

Waarschuwing – WLT kan afhankelijk van de programmering van de besturingseenheid als knipperend waarschuwingslicht of verlichting fungeren.

Volg de installatiefasen, die in fig. 21 worden getoond, en neem de aangegeven volgorde en de volgende waarschuwingen in acht:

• **bij fase 4** – Draai het stroomvoorzieningsstoel in de richting van de pijl en let op de zich eronder bevindende kabels, die hem op de reductiemotor aansluiten.

GRAFIEK 2B



- **bij fase 7** – Leg de kabels goed uitgespreid neer en steek de connector zoals getoond in de FLASH uitgang. Zet de kabels vast door ze in de kabelklem te doen.
- **bij fase 11** – Plaats de printplaat volgens het gewenste gebruik op de pin van de basis, : **A** = diffuus licht; **B** = gerichte lichtstraal (in dit geval kan de lichtstraal worden gedraaid door de printplaat in één van de op de onderkant gemaakte gaten te voegen).
- **bij fase 12** – Leg de kabels goed uitgespreid neer, knip het te lange gedeelte af en plaats de kabels zodanig, dat ze geen schaduwen op de leds en de lichtsensor aan de achterkant van de printplaat werpen.
- **bij fase 13** – Laat de pijl op het deksel met die aan de onderkant samenvallen. Verzeker u ervan dat de 4 tanden aan de onderkant in de gleuven in het deksel worden gevoegd.

Opmerking – Als de multifunctionele lamp WLT niet in het bovenste gedeelte van de reductiemotor “Walky” wordt geïnstalleerd, moet hij op klem ELS worden aangesloten, zoals beschreven in paragraaf 4.1- “Beschrijving van de elektrische aansluitingen”.

3.6 - De besturingseenheid verwijderen

01. Verwijder het onderste deksel van de reductiemotor (fig. 19 fase 1-2);
 02. Schroef de 4 schroeven van de steun van de kabeldoorgang en verwijder hem (fig. 24 fase 1-2);
 03. Trek de besturingseenheid ongeveer 4 centimeter in de richting van de pijl en neem de connector van de motor (fig. 24 fase 3-4);
 04. Verwijder de besturingseenheid tenslotte helemaal.
- Let op!** - Neem de plaats van de polen in acht als u de motor weer op de besturingseenheid aansluit (hij kan maar in één richting worden aangebracht!).

3.7 - De uitlijning van de hekdeuren bij het sluiten afstellen

01. Verwijder de arm met slobgat van de bevestigingsbeugel op de hekdeur;
02. Draai de schroeven van de beugel los en verplaats hem enkele millimeters in de richting van de reductiemotor;
03. Zet de arm met slobgat weer in de beugel terug, sluit de hekdeur en verzeker u ervan dat hij met de andere hekdeur is uitgelijnd en dat hij tegen de blokkeerinrichting van de eindaanslag staat. **Let op!** - Indien nodig herhaalt u punt 02 tot ze optimaal zijn uitgelijnd;
04. Boor een gat in de deur ter hoogte van het gat dat zich in het midden van de bevestigingsbeugel bevindt, en breng een schroef aan. Zet de beugel vervolgens definitief vast door de drie schroeven aan te draaien;
05. Bevestig de arm met slobgat tenslotte aan de beugel en breng de pin en de benzijng borgring aan.

3.8 - De reductiemotor handmatig deblokken en blokkeren

De reductiemotor is voorzien van een mechanisch deblokkeringssysteem, waarmee het hek met de hand kan worden geopend en gesloten.

Deze handmatige handelingen moeten worden verricht als de stroom is uitgevallen, bij storingen of tijdens de installatie.

Deblokkeren (fig. 22-A):

01. Open het klepje;
02. Steek de sleutel in de hiervoor bestemde deblokkeerpin;
03. Draai de deblokkeersleutel bijna een hele slag met de klok mee.
04. Nu kan de hekdeur met de hand op de gewenste stand worden gezet.

Blokkeren (fig. 22-B):

01. Draai de sleutel op de deblokkeerpin tegen de klok in en verplaats het hek met de hand tot u het mechanische geluid hoort, dat wil zeggen dat het hek aan het aandrijfmechanisme is gekoppeld.
02. Neem de sleutel uit de pin en zet het klepje weer terug.

4 ELEKTRISCHE AANSLUITINGE

De elektrische aansluiting van de verschillende inrichtingen (fotocellen, digitale toetsenborden, lezers van transponderkaarten, enz.), die in de automatisering met besturingseenheid aanwezig zijn, vindt plaats via het “Bluebus” systeem van Nice. Met dit systeem kunnen elektrische aansluitingen worden verricht met gebruik van slechts 2 geleiders, waarover zowel de elektrische voeding als de communicatiesignalen lopen. De elektrische aansluiting die moet worden gebruikt, is van het parallelle type en hoeft geen polariteit in acht te nemen. Tijdens de herkenningfase wordt iedere inrichting, die op de besturingseenheid is aangesloten er dankzij een eenduidige code afzonderlijk door herkend. Iedere keer dat een inrichting wordt toegevoegd of weggenomen, moet de herkenning door de besturingseenheid worden verricht (zie paragraaf 4.7).

4.1 - Beschrijving van de elektrische aansluitingen (fig. 23)

M1	uitgang voor reductiemotor 1
ELS	uitgang voor elektroslot van 12 Vac (maximum 15 VA). De uitgang ELS kan via het programmeertoestel Oview met andere functies worden geprogrammeerd (zie hoofdstuk 8.3) (bijvoorbeeld knipperlicht, verlichting, enz.)

BLUEBUS ingang voor twee compatibele inrichtingen (MOFB, MOFOB, MOB, MOTB enz). De aansluiting van de inrichtingen is van het parallelle type, via 2 geleiders waarover zowel de elektrische voeding, als het communicatiesignaal lopen; bij de aansluiting hoeft geen polariteit in acht te worden genomen. Iedere inrichting wordt afzonderlijk, dankzij een eenduidig adres dat tijdens de installatie wordt toegekend, door de besturingseenheid herkend (zie paragraaf 4.7)

STOP ingang voor inrichtingen die door hun ingreep de lopende handeling meteen stoppen, gevolgd door een korte omkering van de beweging. Mogelijkheid contacten van het type NO, NC of inrichtingen met uitgang met een constante weerstand van 8,2 kΩ (veiligheidslijsten) aan te sluiten. Iedere inrichting die op deze ingang is aangesloten, wordt afzonderlijk tijdens de herkenningfase door de besturingseenheid herkend (paragraaf 4.7). Als de besturingseenheid na deze fase een verandering ten opzichte van de herkende staat waarneemt, veroorzaakt dit een STOP. Op deze ingang kunnen ook één of meerdere onderling verschillende inrichtingen worden aangesloten:

- sluit meerdere parallel geschakelde NO inrichtingen aan, zonder beperking van aantal;
- sluit meerdere in serie geschakelde NC inrichtingen aan, zonder beperking van aantal;
- sluit 2 parallel geschakelde inrichtingen aan met uitgang met constante weerstand van 8,2 kΩ. Als er meer dan 2 inrichtingen zijn, moeten ze in cascade geschakeld worden met 1 enkele afsluitweerstand van 8,2 kΩ;
- sluit 2 NO en NC inrichtingen parallel geschakeld aan en schakel een weerstand van 8,2 kΩ in serie met het NC contact (hierdoor wordt de combinatie tussen 3 NO-NC inrichtingen en 8,2 kΩ mogelijk)

P.P. ingang voor besturingsinrichtingen, die als ze ingrijpen een stap voor stap manoeuvre veroorzaken. Mogelijkheid contacten van het NO-type aan te sluiten

ANTENNE ingang voor de antenne van een radio-ontvanger

4.2 - De stroomkabel aansluiten

WAARSCHUWING: op de elektrische voedingslijn moet voor een inrichting worden gezorgd, die garandeert dat de hele automatisering van het net wordt gekoppeld. De ontkoppelinrichting moet contacten hebben met een zodanige opening, dat de volledige loskoppeling mogelijk is onder de omstandigheden, die overeenkomstig de installatievoorschriften door de overspanningscategorie III worden geregeld. Indien nodig garandeert deze inrichting een snelle en veilige ont koppeling van de voeding. Ze moet daarom daar geplaatst worden, waar de automatisering te zien is. Als ze daarentegen op een niet zichtbare plaats is geplaatst, moet ze een systeem hebben, dat om alle gevaar te voorkomen een eventuele onvoorziene nieuwe verbinding of niet toegestane verbinding met de voeding blokkeert. De ontkoppelinrichting wordt niet bij het product geleverd.

LET OP!

- De aansluitingen mogen uitsluitend door vakmensen worden verricht.
- Alle elektrische aansluitingen mogen alleen zonder elektrische netvoeding en met losgekoppelde bufferbatterij, indien in de automatisering aanwezig, worden verricht.

01. Verschaf u toegang tot het stroomvoorzieningstoestel door de 3 schroeven op het bovenste deksel van de reductiemotor los te draaien en het deksel langzaam in de richting van de pijl te draaien (fig. 24). Kijk goed uit voor de zich eronder bevindende kabels;
 02. Sluit de fasekabel en nulleider op het klemmenbord van het stroomvoorzieningstoestel aan en neem de aanwijzingen op het etiket in acht. Zet het oog van de aardkabel met de schroef vast (fig. 25): **let op!** - draai de kabelschoen in de richting van de uitgang waar de stroomkabel uitkomt;
 03. Trek de stroomkabel vervolgens naar de besturingseenheid, zodat hij net lang genoeg is om het stroomvoorzieningstoestel te laten draaien en het deksel weer te sluiten;
 04. Sluit het deksel van het stroomvoorzieningstoestel weer. Draai de schroeven van de kabelpers weer aan, zet de besturingseenheid weer op zijn plaats en hermonteer de steun van de kabeldoorgang;
- Let op!** - Sluit het deksel van het stroomvoorzieningstoestel weer met alle schroeven en verzeker u ervan dat de dichting goed op zijn plaats zit. Als er een schroef of de dichting ontbreekt, kan dit de interne circuits schaden.

4.3 - De reductiemotor zonder besturingseenheid mod. WL1024 aansluiten

01. Verwijder het onderste deksel van de reductiemotor zonder besturingseenheid, zoals in fig. 19 wordt getoond, fase 1-2.
02. Schroef de 4 schroeven met een kruisschroevendraaier van de steun van de kabeldoorgang (fig. 20) en verwijder hem (**let op!** - raak de 2 afstandstukken niet kwijt).
03. Schroef de twee schroeven van de kabelpers los (fig. 20, fase 6) en haal de verbindingkabel er doorheen; sluit de 3 kabels op het klemmenbord aan en neem de symbolen op het etiket in acht; draai de schroeven van de kabelpers tenslotte aan.
04. Stel de 2 pootjes in de reductiemotor met een inbussleutel af, tot ze volledig op de pilaar steunen (fig. 20, fase 7).
05. Knip de rand van de steun van de kabeldoorgang (fig. 20, fase 8); breng de 2 afstandstukken weer op hun plaats aan; hermonteer de steun van de kabeldoorgang (fig. 20, fase 9) en breng het onderste deksel van de reductiemotor weer aan (fig. 20, fase 10).

4.4. - Andere inrichtingen aansluiten

Als nog meer inrichtingen in de installatie moeten worden gevoed, bijvoorbeeld een lezer van transponderkaarten of de verlichting van de sleutelschakelaar, kunnen deze inrichtingen op de besturingseenheid op de klemmen "P.P. (positief)" en "STOP (negatief)" worden aangesloten (fig. 23). De voedingsspanning gaat van 18 tot 31 Vdc met werking op de netspanning of solemyo en van 11 tot ongeveer 14 Vdc met werking op bufferbatterij PS424. De maximum beschikbare stroom is 200 mA.

Opmerking – De spanning die op de klemmen "P.P." en "STOP" beschikbaar is, blijft ook aanwezig als de "Stand-by" functie op de printplaat wordt ingeschakeld.

4.5 - De fotocellen en andere BlueBus inrichtingen adresseren

Om het de besturingseenheid mogelijk te maken de fotocellen te herkennen, die op de Bluebus klem zijn aangesloten, moeten ze worden geadresseerd: plaats de elektrische bypass, die in iedere inrichting aanwezig is, op de juiste manier, zoals in fig. 31 wordt getoond.

Om andere inrichtingen te adresseren, raadpleegt u de bijbehorende handleidingen.

4.6 - Eerste inschakeling en controle van de aansluitingen

Na de besturingseenheid elektrisch te hebben gevoed, verricht u de volgende controles:

- na enkele seconden controleert u of de "Bluebus" Led (fig. 26) regelmatig elke seconde knippert;
- controleer of de Leds van de fotocellen, zowel de zendende als ontvangende, knipperen. De manier waarop ze knipperen is in deze fase niet belangrijk;
- controleer of de multifunctionele lamp WLT (ingesteld met functie knipperlicht) op de FLASH uitgang op het stroomvoorzieningsstoestel is aangesloten.

Als dit allemaal niet het geval is, moet de elektrische voeding van de besturingseenheid worden genomen en moeten de verschillende voorheen verrichte elektrische aansluitingen worden gecontroleerd.

4.7 - De aangesloten inrichtingen herkennen

Na de eerste inschakeling moet de besturingseenheid de op de "Bluebus" en "Stop" ingangen aangesloten inrichtingen herkennen.

LET OP! – De herkenningsfase moet ook worden verricht als de besturingseenheid op geen enkele inrichting is aangesloten.

De besturingseenheid herkent de verschillende aangesloten inrichtingen dankzij de herkenningsprocedure afzonderlijk en kan ook de mogelijk aanwezige storingen heel nauwkeurig vaststellen. Daarom moet de herkenning van de inrichtingen iedere keer dat één ervan wordt aangesloten of verwijderd, worden verricht. De Leds "L1" en "L2" op de besturingseenheid (fig. 26) knipperen langzaam om aan te geven, dat de herkenning moet worden verricht:

01. Druk de toetsen "◀" en "Set" (fig. 26) tegelijk in en houd ze ingedrukt.
02. Laat de toetsen weer los als de leds "L1" en "L2" snel beginnen te knipperen (na ongeveer 3 seconden).
03. Wacht enkele seconden tot de besturingseenheid de herkenningsfase van de inrichtingen voltooit.
04. Na deze fase moet de Led "Stop" branden en moeten de Leds "L1" en "L2" uitgaan (de Leds "L3" en "L4" zouden kunnen gaan knipperen).

4.8 - De standen van de mechanische aanslagen herkennen

Na de herkenning van de inrichtingen (paragraaf 4.7) moet de besturingseenheid de plaatsen van de mechanische aanslagen herkennen (maximale opening en maximale sluiting);

In deze fase wordt de openingshoek van de hekdeur vastgesteld, van de mechanische sluitingsaanslag tot de mechanische openingsaanslag van de deur.

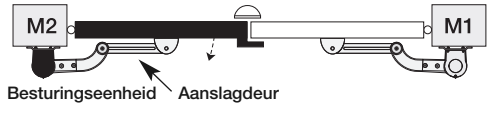
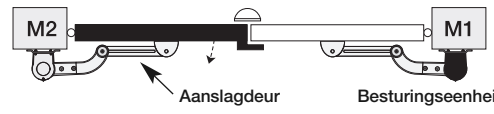
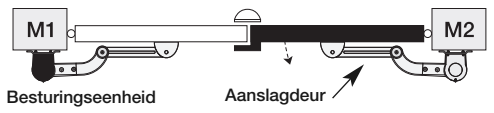
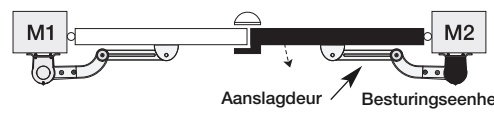
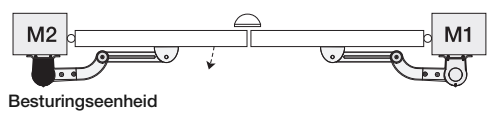
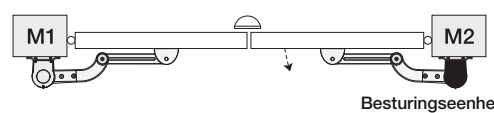
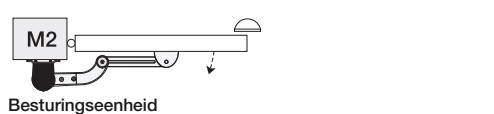
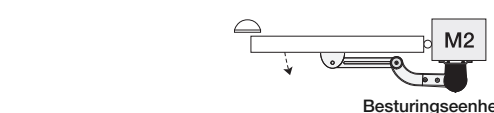
Het is absoluut noodzakelijk, dat er vaste mechanische aanslagen zijn, die stevig genoeg zijn.

01. Zoek in tabel 2 de afbeelding van uw installatie en stel de elektrische bypasses JA en JB op dezelfde plaats als in de gevonden afbeelding op de besturingseenheid in.
02. Deblokkeer de reductiemotoren met de speciale sleutels (zie hoofdstuk 3.8) en zet de hekdeuren halverwege de slag, zodat ze vrij zijn zich openend of sluitend te bewegen; blokkeer de reductiemotoren vervolgens.
03. Druk de toetsen "Set" en "▶" tegelijk op de besturingseenheid in en houd ze ingedrukt.
04. Als de leds "L3" en "L4" snel beginnen te knipperen (na ongeveer 3 seconden), laat u de toetsen weer los;
05. Controleer of het automatische de volgende opeenvolgende manoeuvres verricht:
 - a - Langzame sluiting van reductiemotor M1 tot aan de mechanische aanslag
 - b - Langzame sluiting van reductiemotor M2 tot aan de mechanische aanslag
 - c - Langzame opening van reductiemotor M2 en van reductiemotor M1 tot aan de mechanische aanslag
 - d - Snelle volledige sluiting van reductiemotor M1 en M2
 - Als de eerste manoeuvre van één of beide deuren geen sluiting is, drukt u op een willekeurige toets om de herkenningsfase te stoppen en controleert u de plaats van de elektrische bypasses JA en JB door tabel 2 te raadplegen; of controleer de polariteit van de motor zonder besturingseenheid (mod. WL1024).
 - Als de eerste motor die bij het sluiten begint te lopen niet M1 is, drukt u op een willekeurige toets om de herkenningsfase te stoppen en controleert u de plaats van de elektrische bypasses JA en JB, door tabel 2 te raadplegen.
 - Als een willekeurige inrichting (fococellen, sleutelschakelaar, druk op de

toetsen enz.) tijdens de herkenningsfase ingrijpt, wordt ze meteen gestopt. De herkenningsfase moet dus helemaal herhaald worden.

06. Na de sluitingsmanoeuvre van de 2 motoren (d) gaan de leds "L3" en "L4" uit, wat aangeeft dat de procedure goed is verricht.

TABEL 2

	JA JB
	JA JB
	JA JB
	JA JB
	JA JB
	JA JB
	JA JB
	JA JB

4.9 - Controle van de beweging van de hekdeuren

Na de herkenningsfase en de herkenning van de plaatsen van de mechanische aanslagen wordt aangeraden de besturingseenheid enkele openings- en sluitingmanoeuvres te laten verrichten, om de juiste beweging van het hek, eventuele montage- of afstelfouten, of andere storingen te controleren:

01. Druk op toets Open (fig. 26) en controleer of tijdens de openingsmanoeuvre de versnellingsfase, de fase met constante snelheid, de vertragingfase aanwezig zijn en of de hekdeuren tegen de mechanische openingsaanslag stoppen.
02. Druk op toets Close (fig. 26) en controleer of tijdens de sluitingsmanoeuvre de versnellingsfase, de fase met constante snelheid, de vertragingfase aanwezig zijn en of de hekdeuren tegen de mechanische sluitingsaanslag stoppen.
03. Controleer tijdens de manoeuvres of het knipperlicht als het brandt enkele keren om de 0,5 seconde knippert en om de 0,5 seconden als het uitgeschakeld is.

5 TESTEN EN INBEDRIJFSTELLING

Dit zijn de belangrijkste fasen bij de verwezenlijking van de automatisering, om een maximale veiligheid van de installatie te garanderen. De test kan ook worden gebruikt om de inrichtingen waar de automatisering uit bestaat, periodiek te controleren. De test- en inbedrijfstellingsfasen van de automatisering moeten door vakmensen worden verricht, die het op zich moeten nemen de tests te bepalen, die nodig zijn om de aangenomen oplossingen ten opzichte van de aanwezige gevaren te controleren en de inachtneming te controleren van wat door wetten, voorschriften en wettelijke regels wordt voorgeschreven: in het bijzonder van alle vereisten van de norm EN 12445, die de testmethoden bepaalt om de automatische systemen van hekken te controleren. De bijkomende inrichtingen moeten een specifieke test ondergaan, zowel wat betreft de functionaliteit, als hun goede interactie met WALKY; raadpleeg dus de handleidingen van de afzonderlijke inrichtingen.

5.1 - Testen

De volgorde van de voor de test te verrichten handelingen heeft betrekking op een standaardinstallatie (fig. 2):

- 1 Deblokkeer de reductiemotoren handmatig en controleer of het op het punt dat voor de handmatige manoeuvre bestemd is mogelijk is de hekdeur openend of sluitend te bewegen met minder kracht dan 390 N.
- 2 Controleer of de hekdeur zich niet beweegt als hij op een willekeurige stand van de slag wordt losgelaten.
- 3 Blokkeer de reductiemotoren (zie hoofdstuk 3.8).
- 4 **LET OP!** – Controleer of de schroefverbindingen flink stevig zijn aangedraaid.
- 5 Terwijl u de besturingsinrichtingen (zender, bedieningsknop, sleutelschakelaar, enz.) gebruikt, verricht u openings-, sluitings- en stoptests van het hek en verzekert u zich ervan dat de beweging van de hekdeuren overeenkomt met wat voorzien is. Het is raadzaam verschillende tests te verrichten om de beweging van de deuren te beoordelen en eventuele montage- en afstelfouten en ook bijzondere wrijvingspunten vast te stellen.
- 6 Controleer de werking van alle veiligheidsinrichtingen van de installatie (fotocellen, veiligheidslijst, enz.) één voor één. Als een inrichting ingrijpt, knippert de led "BLUEBUS" op de besturingseenheid 2 keer sneller ter bevestiging van de plaatsgevonden herkenning.
- 7 Als de gevaarlijke situaties veroorzaakt door de beweging van de hekdeuren beschermd zijn door de beperking van de botskracht moet de kracht worden gemeten volgens norm EN 12445. Als de controle van de "kracht van de reductiemotor" wordt gebruikt als hulpmiddel van het systeem om de botskracht te verminderen, probeert en zoekt u tenslotte de afstelling, die voor de beste resultaten zorgt.
- 8 Bevestig op een plaats bij de automatisering op blijvende wijze een etiket dat beschrijft hoe de reductiemotor handmatig moet worden gedeblokkeerd.

5.2 - Inbedrijfstelling

De inbedrijfstelling kan uitsluitend plaatsvinden na alle testfasen met positief resultaat te hebben verricht.

- 1 Stel een technisch dossier van de automatisering samen, dat de volgende documenten moet bevatten: een allesomvattende tekening van de automatisering, het schema van de verrichte elektrische aansluitingen, het onderzoek van de aanwezige gevaren en de bijbehorende aangenomen oplossingen, de verklaring van overeenstemming van de fabrikant van alle gebruikte inrichtingen en de verklaring van overeenstemming die door de installateur is opgemaakt.
- 2 Breng een plaatje op het hek aan met ten minste de volgende gegevens: soort automatisering, naam en adres van de fabrikant (verantwoordelijke van de "inbedrijfstelling"), serienummer, bouwjaar en "CE" markering.
- 3 Stel de verklaring van overeenstemming op en geef ze aan de eigenaar van de automatisering.
- 4 Stel de "Gebruikshandleiding" van de automatisering op en geef ze aan de eigenaar van de automatisering.
- 5 Stel het "Onderhoudsprogramma" op, met de onderhoudsvoorschriften van alle inrichtingen van de automatisering en geef het aan de eigenaar van de automatisering.
- 6 Voordat u de automatisering in bedrijf stelt, informeert u de eigenaar goed over de gevaren en restrisico's die er nog zijn.

Voor de geciteerde documentatie stelt Nice via haar technische servicedienst het volgende ter beschikking: handleidingen, leidraden en reeds ingevulde formulieren. Zie ook: www.nice-service.com

6 PROGRAMMERING VAN DE BESTURINGSEENHEID

De besturingseenheid heeft 3 toetsen **OPEN** (◀), **STOP (SET)**, **CLOSE** (▶), die zowel voor de bediening van de besturingseenheid tijdens de testfasen gebruikt kunnen worden, als voor de programmering van de beschikbare functies. De beschikbare programmeerbare functies zijn over 2 niveaus verdeeld en hun werkstaat wordt door 4 leds (L1 ... L4) op de besturingseenheid (brandend led = functie ingeschakeld; uitgeschakeld led = functie niet ingeschakeld) aangegeven.

De programmeertoetsen gebruiken (fig. 26):

OPEN (◀): – toets om het hek te openen; – keuzetoets bij de programmeringsfase.

STOP/SET: toets om een manoeuvre te stoppen; als hij langer dan 5 seconden ingedrukt gehouden wordt, komt u in de programmeringsfase.

CLOSE (▶): – toets om het hek te sluiten; – keuzetoets bij de programmeringsfase.

6.1 - Programmering van het eerste niveau (ON-OFF)

Alle functies van het eerste niveau zijn in de fabriek op "OFF" geprogrammeerd en kunnen op elk willekeurig moment worden gewijzigd. Zie tabel 5 om de verschillende functies te controleren. Zie tabel 6 voor de programmeringsprocedure.


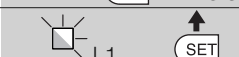

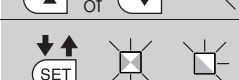

Opmerking – Deze procedures kunnen op elk willekeurig moment opnieuw worden verricht, ook na een nieuwe inrichting op de besturingseenheid te hebben aangesloten.

BELANGRIJK – De programmeringsprocedure heeft maximum 10 seconden tijd tussen de druk op de ene toets en de andere. Na deze tijd wordt de procedure automatisch afgesloten en worden de wijzigingen opgeslagen, die tot dan zijn verricht.

TABEL 5 - Functies van het eerste niveau

Led	Functie	Beschrijving
L1	Automatische sluiting	Functie INGESCHAKELD : een openingsmanoeuvre wordt gevolgd door een pauze (die de geprogrammeerde pauzetijd duurt), waarna de besturingseenheid automatisch een sluitingsmanoeuvre verricht. De in de fabriek ingestelde duur van de pauze is 30 sec. Functie NIET INGESCHAKELD : de functie is van het "semiautomatische" type.
L2	Na foto sluiten	Functie INGESCHAKELD : als de fotocellen tijdens de openings- of sluitingsmanoeuvre ingrijpen, wordt de pauze verkort tot 5 sec. onafhankelijk van de geprogrammeerde "pauzetijd". Als de fotocellen bij uitgeschakelde "automatische sluiting" tijdens het sluiten ingrijpen, wordt de "automatische sluiting" met de geprogrammeerde "pauzetijd" ingeschakeld.
L3	Altijd sluiten	Functie INGESCHAKELD : ook bij een korte stroomuitval stelt de besturingseenheid bij terugkeer van de stroom vast dat het hek geopend is en schakelt automatisch een sluitingsmanoeuvre in, die voorafgegaan wordt door 5 sec. knipperlicht. Functie NIET INGESCHAKELD : als de stroom terugkeert, blijft het hek waar het is.
L4	Stand-by (Bluebus)	Functie INGESCHAKELD : 1 minuut na de manoeuvre schakelt de besturingseenheid de "Bluebus" uitgang (aangesloten inrichtingen) en alle leds uit, op de Bluebus led na, die langzamer knippert. Als de besturingseenheid een opdracht ontvangt, herstelt ze de normale werking (met een korte vertraging). Deze functie heeft als doel het verbruik te verminderen, wat een belangrijk aspect is bij voeding met batterijen of fotovoltaïsche panelen.

TABEL 6 - Programmeringsprocedure eerste niveau

01. Druk op toets "Set" en houd hem ongeveer 3 seconden ingedrukt;	
02. Laat de toets los als led "L1" begint te knipperen;	
03. Druk op toets "◀" of "▶" om de knipperende led naar de led te verplaatsen van de functie, die gewijzigd moet worden;	
04. Druk op toets "Set" om de staat van de functie te wijzigen: (kort knipperen = OFF - lang knipperen = ON);	
05. Wacht 10 seconden (maximumtijd) om de programmering af te sluiten.	

Opmerking – Om andere functies op "ON" of "OFF" te programmeren tijdens het verrichten van de procedure, moeten de punten 03 en 04 tijdens de fase zelf worden herhaald.


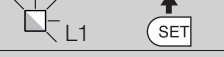






6.2 - Programmering van het tweede niveau (afstelbare parameters)

Alle parameters van het tweede niveau zijn in de fabriek geprogrammeerd, volgens de **grijze kleur** in tabel 8 en kunnen op elk willekeurig moment worden gewijzigd, zoals beschreven wordt in **tabel 7**.

De parameters kunnen op een schaal van 1 tot 4 worden afgesteld. Om de bij

iedere led behorende waarde te controleren, raadpleegt u **tabel 8. BELANGRIJK** – De programmeringsprocedure heeft maximum 10 seconden tijd tussen de druk op de ene toets en de andere. Na deze tijd wordt de procedure automatisch afgesloten en worden de wijzigingen opgeslagen, die tot dan zijn verricht.

TABEL 7 - Programmeringsprocedure tweede niveau

01. Druk op toets "Set" en houd hem ongeveer 3 seconden ingedrukt;	
02. Laat de toets los als led "L1" begint te knipperen;	
03. Druk op toets "◀" of "▶" om de knipperende led naar de "ingangsled" te verplaatsen van de parameter, die gewijzigd moet worden;	
04. Druk toets "Set" in en houd hem ingedrukt tot punt 06 klaar is;	
05. Wacht ongeveer 3 seconden tot de led gaat branden van het actuele niveau van de parameter, die gewijzigd moet worden;	
06. Druk op toets "◀" of "▶" om de led te verplaatsen, die bij de waarde van de parameter hoort;	
07. Laat toets "Set" los;	
08. Wacht 10 seconden (maximumtijd) om de programmering af te sluiten.	

Opmerking – Om meerdere parameters te programmeren tijdens het verrichten van de procedure, moeten de handelingen van punt 03 tot punt 07 tijdens de fase zelf worden herhaald.

TABEL 8 - Functies van het tweede niveau

Led van ingang	Parameter	Led (niveau)	Waarde	Beschrijving
L1	Pausetijd	L1	5 seconden	Stelt de pausetijd af, d.w.z. de tijd die voor de automatische sluiting verstrijkt. Heeft alleen effect als de sluiting ingeschakeld is.
		L2	30 seconden	
		L3	60 seconden	
		L4	120 seconden	
L2	Stap voor stap functie	L1	Openen – stop – sluiten – stop	Stel de volgorde van de besturingen af, die bij de ingang "Stap voor stap" of bij de radiobesturing horen. Opmerking – Door L4 in te stellen, wordt ook het gedrag van de opdrachten "Openen" en "Sluiten" gewijzigd.
		L2	Openen – stop – sluiten – openen	
		L3	Openen – sluiten – openen – sluiten	
		L4	Bij gemeenschappelijk gebruik: • bij de openingsmanoeuvre hebben de besturingen "Stap voor stap" en "Openen" geen enkel effect; de besturing "Sluiten" daarentegen veroorzaakt een omkering van de beweging, d.w.z. het sluiten van de hekdeuren. • bij de sluitingsmanoeuvre veroorzaken de besturingen "Stap voor stap" en "Openen" een omkering van de beweging, d.w.z. het openen van de hekdeuren. De besturing "Sluiten" heeft daarentegen geen enkel effect.	
L3	Snelheid motoren	L1	Langzaam	Stelt de snelheid van de motoren tijdens de normale slag af.
		L2	Gemiddeld	
		L3	Snel	
		L4	Zeer snel	
L4	Motorcracht	L1	Niveau 1 - Minimumkracht	Stelt de kracht van beide motoren in.
		L2	Niveau 2 - ...	
		L3	Niveau 3 - ...	
		L4	Niveau 4 - Maximumkracht	

6.3 - Het geheugen wissen

Om het geheugen van de besturingseenheid te wissen en alle fabrieksinstellingen te herstellen, handelt u als volgt: druk op de toetsen "◀" en "▶" en houd ze ingedrukt tot de leds L1 en L2 beginnen te knipperen.

6.4 - Speciale functies

Functie: "Toch bewegen"

Met de functie kan de automatisering toch werken, ook als een veiligheidsinrichting het niet goed of helemaal niet doet.

De automatisering kan ook op de "**dodemensstand**" worden bestuurd, door als volgt te handelen:

01. Stuur een opdracht met een zender of met een sleutelschakelaar, enz. om het hek in te schakelen. Als alles goed werkt, beweegt het hek zich regelmatig. Handel anders als volgt;

02. Schakel de besturing binnen 3 seconden nogmaals in en houd ze ingeschakeld;

03. Na ongeveer 2 seconden verricht het hek de manoeuvre die op de "**dodemensstand**" gevraagd is en d.w.z. dat het hek zich alleen blijft bewegen, zolang de besturing ingeschakeld wordt gehouden.

Als de veiligheidsinrichtingen het niet doen, knippert het knippersignaal enkele keren om het soort probleem te melden (zie hoofdstuk 7 - tabel 10).

7 WAT TE DOEN ALS... (probleemoplossingen)

Sommige inrichtingen kunnen meldingen geven, waarmee de werkstaat, of de eventuele storingen te herkennen zijn.

Als de multifunctionele lamp WLT met ingestelde knipperfunctie op de FLASH uitgang van het stroomvoorzieningsstelsel is aangesloten, knippert deze om de tweede tijdens het verrichten van een manoeuvre. Als zich storingen voordoen, knippert het knipperlicht met kortere flitsen. Dit geknipper wordt twee

keer herhaald, met een pauze van 1 seconde ertussen. In **tabel 10** worden de oorzaak en de oplossing van iedere soort melding beschreven.

Ook de Leds op de besturingseenheid geven meldingen. In **tabel 11** worden de oorzaak en de oplossing van iedere soort melding beschreven.

TABEL 10 - Meldingen van het knippersignaal (FLASH)

Knipperen	Probleem	Oplossing
1 keer kort knipperen pauze van 1 seconde 1 keer kort knipperen	Fout in Bluebus systeem	De controle van de inrichtingen die op het Bluebus systeem zijn aangesloten, die aan het begin van de manoeuvre wordt verricht, komt niet overeen met de inrichtingen die tijdens de herkenningfase zijn opgeslagen. Het kan zijn dat inrichtingen losgekoppeld of kapot zijn, dus moeten ze worden gecontroleerd en vervangen. Als er wijzingen zijn verricht, moet de herkenning van de inrichtingen opnieuw worden gedaan (zie paragraaf 4.7).
2 keer kort knipperen pauze van 1 seconde 2 keer kort knipperen	Ingrep van een fotocel	Eén of meerdere fotocellen geven geen toestemming voor de beweging, of hebben tijdens de slag een omkering van de beweging veroorzaakt. Controleer of er obstakels zijn.
3 keer kort knipperen pauze van 1 seconde 3 keer kort knipperen	Ingrep van de functie "Obstakeldetectie" door de krachtbegrenzer	Tijdens de beweging zijn de motoren zwaarder belast. Controleer de oorzaak en verhoog eventueel het krachtniveau van de motoren
4 keer kort knipperen pauze van 1 seconde 4 keer kort knipperen	Ingrep van de STOP-ingang	Aan het begin van de manoeuvre, of tijdens de beweging heeft een ingrep van de op de STOP-ingang aangesloten inrichtingen plaatsgevonden. Controleer de oorzaak.
5 keer kort knipperen pauze van 1 seconde 5 keer kort knipperen	Fout in de interne parameters van de besturingseenheid	Wacht minstens 30 seconden en probeer vervolgens weer een opdracht te geven en eventueel ook de voeding uit te schakelen. Als de staat onveranderd blijft, kan er een ernstige storing zijn en moet de printplaat worden vervangen.
6 keer kort knipperen pauze van 1 seconde 6 keer kort knipperen	Het maximaal aantal opeenvolgende, of manoeuvres per uur is overschreden	Wacht enkele minuten, zodat het beperkingssysteem van het aantal manoeuvres weer onder de maximumgrens komt.
7 keer kort knipperen pauze van 1 seconde 7 keer kort knipperen	Storing in de elektrische circuits	Wacht minstens 30 seconden en probeer weer een opdracht te versturen en eventueel ook de voeding uit te schakelen. Als de staat onveranderd blijft, kan er een ernstige storing zijn en moet de printplaat worden vervangen.
8 keer kort knipperen pauze van 1 seconde 8 keer kort knipperen	Er is al een opdracht, die niet toestaat dat andere opdrachten worden verricht	Controleer de oorsprong van de steeds aanwezige opdracht, het kan bijvoorbeeld de opdracht van een klok op de ingang "STAP VOOR STAP" zijn.
9 keer kort knipperen pauze van 1 seconde 9 keer kort knipperen	De automatisering is geblokkeerd door een opdracht "De automatisering blokkeren"	Deblokkeer de automatisering door de opdracht "De automatisering deblokkeren" te versturen.

TABEL 11 - Meldingen van de Leds op de besturingseenheid (fig. 23)

Led	Probleem	Oplossing
BLUEBUS Altijd uit	Storing	Controleer of de besturingseenheid gevoed wordt; controleer of de zekeringen niet ingegrepen hebben. Controleer in dit geval de oorzaak van de storing en vervang ze met andere met dezelfde waarde
Altijd aan	Ernstige storing	Er is een ernstig probleem: probeer de elektrische voeding van de besturingseenheid te koppelen en als de staat onveranderd blijft, moet de printplaat worden vervangen
1 keer knipperen per seconde	Alles in orde	Goede werking van de besturingseenheid
2 keer snel knipperen	Verandering in de staat van de ingangen	Het is normaal als er een verandering in één van de ingangen (PP, STOP) optreedt: ingrep van de fotocellen, of er wordt een opdracht doorgegeven met een zender
Een aantal keren knipperen gescheiden door een pauze van 1 seconde	Diversen	Raadpleeg tabel 10
STOP Altijd uit	Ingrep van de inrichtingen die op de STOP-ingang zijn aangesloten	Controleer de inrichtingen van de STOP-ingang
Altijd aan	Alles in orde	STOP-ingang ingeschakeld
P.P. Altijd uit	Alles in orde	P.P. -ingang niet ingeschakeld
Altijd aan	Ingrep van de P.P.-ingang	Het is normaal als de inrichting die op de P.P.-ingang (stap voor stap) is aangesloten, ingeschakeld is
L1 - L2 Langzaam knipperen	Verandering van het aantal inrichtingen die op de Bluebus zijn aangesloten, of de herkenning van de inrichting is niet verricht	De herkenning van de inrichtingen moet worden verricht (zie paragraaf 4.7)
L3 - L4 Langzaam knipperen	De herkenning van de plaatsen van de mechanische aanslagen is nooit verricht	De herkenning moet worden verricht (zie paragraaf 4.8)

Bij WALKY zijn de volgende accessoires verkrijgbaar (radio-ontvanger): het programmeertoestel Oview, het zonne-energiesysteem Solemyo en de bufferbatterij mod. PS424.

8.1 - Aansluiting van de radio-ontvanger OXI

Om de ontvanger OXI aan te sluiten, moet de elektrische voeding van de besturingseenheid worden genomen en zoals getoond in fig. 27 worden gehandeld. In tabel 12 en tabel 13 staan de opdrachten, die overeenkomen met de uitgangen op de besturingseenheid.

TABEL 12

SMXI / SMXIS of OXI / OXIFM / OXIT / OXITFM bij modus I bij Modus II

Uitgang Nr. 1	Opdracht "P.P." (Stap voor stap)
Uitgang Nr. 2	Opdracht "Gedeeltelijk openen 1"
Uitgang Nr. 3	Opdracht "Openen"
Uitgang Nr. 4	Opdracht "Sluiten"

TABEL 13

OXI / OXIFM / OXIT / OXITFM bij uitgebreide modus II

Nr.	Opdracht	Beschrijving
1	Stap voor stap	Opdracht "P.P." (Stap voor stap)
2	Gedeeltelijk openen 1	Opdracht "Gedeeltelijk openen 1"
3	Openen	Opdracht "Openen"
4	Sluiten	Opdracht "Sluiten"
5	Stop	De manoeuvre stoppen
6	Stap voor stap bij gemeenschappelijke toepassing	Bediening op de gemeenschappelijke stand
7	Stap voor stap hoge prioriteit	Bediening ook bij geblokkeerde automatisering of ingeschakelde bedieningen
8	Gedeeltelijk openen 2	Gedeeltelijk openen (opening van hekdeur M2, gelijk aan halverwege de volledige opening)
9	Gedeeltelijk openen 3	Gedeeltelijk openen (opening van de twee hekdeuren, gelijk aan halverwege de volledige opening)
10	Automatisering openen en blokkeren	Veroorzaakt een openingsmanoeuvre en hierna de blokkering van de automatisering; de besturingseenheid accepteert geen andere opdracht, met uitzondering van "Stap voor stap hoge prioriteit", automatisering "Deblokkeren" of (alleen bij Oview) de opdrachten: "Deblokkeren en sluiten" en "Deblokkeren en openen"
11	Automatisering sluiten en blokkeren	Veroorzaakt een sluitingsmanoeuvre en hierna de blokkering van de automatisering; de besturingseenheid accepteert geen andere opdracht, met uitzondering van "Stap voor stap hoge prioriteit", automatisering "Deblokkeren" of (alleen bij Oview) de opdrachten: "Deblokkeren en sluiten" en "Deblokkeren en openen"
12	Automatisering blokkeren	Stopt de manoeuvre en blokkeert de automatisering; de besturingseenheid accepteert geen andere opdracht, met uitzondering van "Stap voor stap hoge prioriteit", automatisering "Deblokkeren" of (alleen bij Oview) de opdrachten: "Deblokkeren en sluiten" en "Deblokkeren en openen".
13	Automatisering deblokkeren	Deblokkeert de automatisering en herstelt de normale werking
14	On Timer Verlichting	De uitgang Verlichting gaat branden met tijdgestuurde uitschakeling
15	On -Off Verlichting	De uitgang Verlichting gaat op de On - Off stand aan en uit

8.2 - Aansluiting en installatie van de bufferbatterij mod. PS424

LET OP! - De batterij mag alleen elektrisch op de besturingseenheid worden aangesloten na alle installatie- en programmeringsfasen te hebben voltooid, omdat de batterij een elektrische noodvoeding is.

Om de batterij te installeren en aan te sluiten, volgt u de montagefasen, die in fig. 28 worden getoond.

8.3 - Aansluiting van het programmeertoestel Oview

Op de besturingseenheid bevindt zich de connector BusT4, waarop de programmeringseenheid Oview kan worden aangesloten, die een volledige en snelle besturing van de installatie-, onderhouds-, en diagnosefase mogelijk maakt van de hele automatisering. Om toegang te krijgen tot de connector moet worden gehandeld als in fig. 29 en de connector op zijn plaats worden aangesloten. Oview kan op meerdere besturingseenheden tegelijk worden aangesloten (tot 5 zonder bijzondere voorzorgsmaatregelen, tot 60 door de speciale waarschuwingen te volgen) en kan ook tijdens de normale werking van de automatisering op de besturingseenheid aangesloten blijven. In dat geval kan ze worden gebruikt om opdrachten direct naar de besturingseenheid te sturen, door het speciale "gebruikersmenu" te gebruiken. Het is ook mogelijk de firm-

ware te updaten. Als er een radio-ontvanger in de besturingseenheid zit, die deel uitmaakt van de OXI-groep, is het m.b.v. Oview mogelijk toegang te krijgen tot de parameters van de zenders, die in de ontvanger zelf zijn opgeslagen. Raadpleeg voor diepgaandere informatie de bijbehorende handleiding en de systeemhandleiding "Opera system book".

8.4 - Aansluiting van het zonne-energiesysteem Solemyo

LET OP! – Als de automatisering door het "Solemyo" systeem wordt gevoed, **MAG HET NIET** tegelijkertijd ook door het elektriciteitsnet **GEVOED WORDEN**.

Raadpleeg de handleiding ervan voor meer informatie over het Solemyo-systeem.

Om de aansluiting van het Solemyosysteem voor te bereiden, volgt u de montagefasen, die in fig. 30 worden getoond.

Om de aansluiting tussen Solemyo en de besturingseenheid van de reductiemotor te voltooiën, gebruikt u de speciale kabeladapter.

9 ONDERHOUD VAN HET PRODUCT

Om het veiligheidsniveau constant te houden en een maximale levensduur van de hele automatisering te garanderen, is regelmatig onderhoud nodig.

Het onderhoud moet met volledige inachtneming van de veiligheidsvoorschriften van deze handleiding worden verricht en volgens wat door de geldende wetten en voorschriften wordt voorgeschreven.

Controleer het product vaak om na te gaan of sprake is van onbalans van de hekdeuren, tekenen van slijtage, schade aan de elektrische kabels en veren.

Belangrijk – Tijdens de onderhoudsfase of de reiniging van het product koppelt u de besturingseenheid van de elektrische voeding en van de batterijen, indien aanwezig.

Voor de andere inrichtingen in de installatie volgt u wat in de respectievelijke onderhoudsprogramma's staat.

Bij de reductiemotoren WL1024C, WL1024 is maximaal binnen 6 maanden of 20.000 manoeuvres na het vorige onderhoud een geprogrammeerd onderhoud nodig.

Handel als volgt om het onderhoud te verrichten.

- 01.** Koppel alle elektrische voedingsbronnen los, inclusief eventuele bufferbatterijen.
- 02.** Controleer de slijtage van de beugels en bevestigingspluggen, met bijzondere aandacht voor afslijting en oxidatie van de delen. Vervang de delen, die niet voldoende garantie bieden;
- 03.** Verricht een ontgrendelingstest om de goede werking te controleren, zie paragraaf 3.8.
- 04.** Sluit de elektrische voedingsbronnen weer aan en verricht alle tests en controles die staan in hoofdstuk 5.1 - Testen.

HET PRODUCT AFDANKEN

Dit product maakt integrerend deel uit van de automatisering en moet er dus samen mee worden afgedankt.

Net als bij de installatie moeten de ontmantelingswerkzaamheden aan het eind van het leven van het product door vakmensen worden verricht.

Dit product bestaat uit verschillende materialen: sommige kunnen worden gerecycled, andere moeten worden afgedankt. Win informatie in over de recycle- of afvoersystemen voorzien door de wettelijke regels, die in uw land voor deze productcategorie gelden.

Let op! – Sommige delen van het product kunnen vervuilende of gevaarlijke stoffen bevatten, die als ze in het milieu worden achtergelaten schadelijke effecten op het milieu en de gezondheid kunnen hebben.

Zoals door het symbool aan de zijkant wordt aangeduid, is het verboden dit product bij het huishoudelijk afval weg te gooien. Zamel de afval dus gescheiden in, volgens de wettelijke regels die in uw land gelden, of lever het product bij aankoop van een nieuw gelijkwaardig product bij de dealer in.



Let op! – de lokaal geldende wettelijke regels kunnen zware sancties opleggen als dit product verkeerd wordt afgedankt.

De bufferbatterij afdanken (indien aanwezig)

Let op! – De lege batterij bevat vervuilende stoffen en mag dus niet bij het gewone afval worden gedaan.

Ze moet via de gescheiden afvalinzameling worden weggegooid, volgens de voorschriften die in uw land gelden.

TECHNISCHE KENMERKEN VAN HET PRODUCT

WAARSCHUWING: • Alle hier beschreven technische kenmerken hebben betrekking op een omgevingstemperatuur van 20°C (± 5°C). • Nice S.p.a. behoudt zich het recht voor op ieder willekeurig moment, dat zij het noodzakelijk acht, wijzigingen aan het product aan te brengen, die echter dezelfde doelmatigheid en gebruiksbestemming ervan behouden.

Type: elektromechanische reductiemotor voor automatische systemen van automatische hekken en poorten met gelijkstroommotor, epicycloïdale reductor, mechanisch deblokkeringssysteem. Alleen bij model WL1024C: ingebouwde besturingseenheid en radio-ontvanger OXI

Maximumkoppel: 100 Nm

Nominaal koppel: 50 Nm

Snelheid onbelast: 0,20 rad/s - 0,3 rad/s

Snelheid bij de nominale koppel: 0,16 rad/s - 0,24 rad/s

Maximumfrequentie van de cycli: 100 complete cycli per dag (de besturingseenheid van WL1024C beperkt tot een maximum van ongeveer 50 cycli/uur)

Maximumduur continue cyclus: ongeveer 10 minuten

Gebruiksbeperkingen: het product kan worden gebruikt op hekken met een gewicht tot 180 kg (hekdeur van 0,8 m), of met een lengte van de hekdeur tot 1,8 m en een openingshoek tot 110°

Voeding: WL1024C: 230 Vac (+10% -15%) 50/60 Hz; WL1024: 24 Vdc (50%); WL1024C/V1: 120 Vac (+10% -15%) 50/60 Hz

Noodvoeding: geschikt voor bufferbatterij PS424

Voeding met zonnepanelen: geschikt voor Kit SOLEMYO

Nominaal opgenomen vermogen van het elektriciteitsnet (WL1024C): 120 W

Nominale stroomopname (WL1024): 2 A; de initiële aanloopstroom is 3 A gedurende maximaal 2 s

Opgenomen vermogen van het elektriciteitsnet met "Helemaal stand-by (1)" functie ingeschakeld (inclusief ontvanger OXI): 3 W

Opgenomen vermogen met werking op bufferbatterij, of KIT SOLEMYO met functie "Helemaal stand-by (1)" ingeschakeld (inclusief ontvanger OXI): minder dan 100 mW

Uitgang elektroslot [*]: een elektroslot van 12 Vac max. 15 VA

Uitgang knipperlicht [*]: een WLT knipperlicht, of een lamp van 12Vdc, 21 W max.

BLUEBUS uitgang: een uitgang met een maximumbelasting van 15 Bluebus eenheden (maximum 6 koppels fotocellen MOFB of MOFOB plus 2 koppels fotocellen MOFB of MOFOB geadresseerd als openingsinrichtingen plus maximum 4 besturingsinrichtingen MOMB of MOTB)

STOP-ingang: bij normaal gesloten, normaal open contacten, of met constante weerstand van 8,2 kΩ; de keuze van het type contact vindt plaats door de zelfleerfunctie en een verandering ten opzichte van de opgeslagen staat veroorzaakt een "STOP" opdracht

PP-ingang: voor normaal open contacten (het sluiten van het contact veroorzaakt de stap voor stap bediening)

Radiokoppeling: SM connector voor ontvangers van de groep SMXI, OXI en OXIFM

Ingang radio ANTENNE: 50 Ω voor kabel type RG58 of dergelijke

Programmeerbare functies: 4 functies van het type ON-OFF (tabel 5) en 4 afstelbare functies (tabel 8)

Zelfleerfuncties: • Zelfleerfunctie van de inrichtingen die op de BlueBus uitgang zijn aangesloten. • Zelfleerfunctie van het type inrichting dat op de "STOP" klem is aangesloten (NO, NC contact of weerstand van 8,2 kΩ). • Zelfleerfunctie van de slag van de hekdeuren en automatische berekening van de vertragingpunten en gedeeltelijke opening. • Zelfleerfunctie van de werking van één of twee motoren

Montage: verticaal met een speciale bevestigingsplaat

Werktemperatuur: van -20°C tot +50°C (bij lage temperaturen neemt de efficiëntie van de reductiemotor af)

Gebruik in een bijzonder zure, zoute, of mogelijk explosieve omgeving: NEE

Beschermingsgraad: IP 44 (bij intacte houder)

Afmetingen (mm): 90 x 125 x 385 h

Gewicht (kg): (WL1024C) 4,8; (WL1024) 4,3

Opmerkingen:

(1) - Functies die met het programmeertoestel Oview ingeschakeld kunnen worden.

[*] - De uitgangen van de klemmen op de besturingseenheid ("Elektroslot") en op het stroomvoorzieningstoestel ("Flash") kunnen met het programmeertoestel Oview met andere functies worden geherprogrammeerd. De elektrische kenmerken van deze twee uitgangen passen zich afhankelijk van het gekozen soort functie aan:

• "elektroslot" functie: 12Vac, max. 15VA ;

• "knipperlicht" functie: een multifunctionele lamp WLT, of een lamp van 12Vdc, max. 21W;

• andere soorten functies: een lamp, of een relais van 24Vdc (-30% en +30%), max. 4 W, als de besturingseenheid op netspanning werkt, of een lamp of een relais van 12 Vdc (-10% en +25%), max. 4 W, als de besturingseenheid met bufferbatterij PS424 werkt.

Duurzaamheid van het product

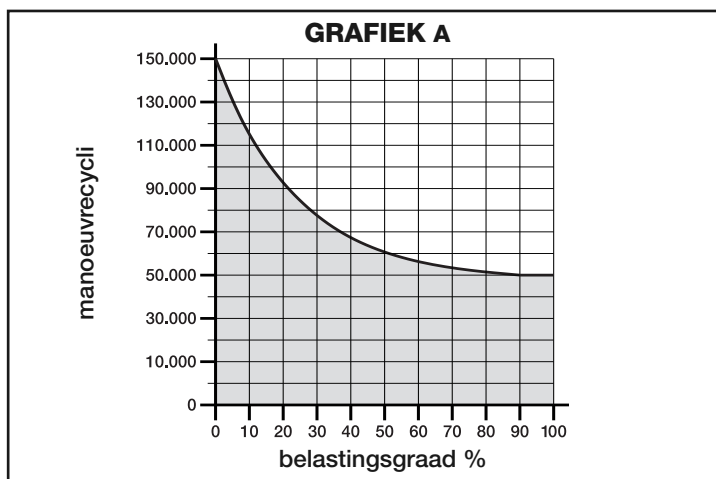
De duurzaamheid is de gemiddelde economische levensduur van het product. De levensduur wordt sterk beïnvloed door de belastingsgraad van de door het automatische systeem verrichte manoeuvres: dat wil zeggen de som van alle factoren, die bijdragen tot de slijtage van het product (zie tabel 1).

Om de mogelijke duurzaamheid van uw automatische systeem te bepalen, handelt u als volgt:

01. Bereken de belastingsgraad door alle in percentages uitgedrukte waarden van de items in **tabel 1** op te tellen;

02. In **Grafiek A** trekt u vanaf de zojuist gevonden waarde een verticale lijn tot u de kromme kruist; trek vanaf dit punt een horizontale lijn tot u de lijn van de "manoeuvrecycli" kruist. De vastgestelde waarde is de geschatte duurzaamheid van uw product.

De duurzaamheid wordt geschat op basis van ontwerpberekeningen en van de resultaten van tests verricht op prototypes. Aangezien het een schatting is, geeft het geen enkele garantie over de werkelijke duurzaamheid van het product.



Voorbeeld van een berekening van de duurzaamheid van een reductiemotor Walky met arm met volle lengte (raadpleeg tabel 14 en grafiek A):

- gewicht van de hekdeur: 100 kg; - lengte van de hekdeur = 1,7 m (belastingsgraad: 55%); - er zijn geen andere vermoeidheidselementen aanwezig; totale belastingsgraad = 55%; Geschatte duurzaamheid = 55.000 manoeuvrecycli

TABEL 14

Lengte hekdeur	Gewicht hekdeur	Belastingsgraad	
		ARM MET STANDAARDLENGTE	INGEKORTE ARM
< 1,2 m	> 100 kg	55%	65%
	< 100 kg	30%	50%
1,2 - 1,6 m	> 80 kg	55%	65%
	< 80 kg	40%	50%
> 1,6 m	> 60 kg	55%	-
	< 60 kg	40%	-
Omgevingstemperatuur hoger dan 40°C of lager dan 0°C of grotere vochtigheid dan 80%		15%	15%
Blinde hekdek		15%	10%
Installatie in winderig gebied		15%	10%

EG- VERKLARING VAN OVEREENSTEMMING

Opmerking - De inhoud van deze verklaring stemt overeen met hetgeen verklaard is in de laatste revisie die beschikbaar was voor het ter perse gaan van deze handleiding, van het officiële document dat is neergelegd bij het hoofdkantoor van Nice Spa. De hier geschreven tekst is om redactionele redenen aangepast.

Nummer: 322/WL..

Revisie: 0

Ondergetekende, Luigi Paro in hoedanigheid als afgevaardigd bestuurder, verklaart onder eigen verantwoordelijkheid dat het product:

Naam van de fabrikant:

NICE s.p.a.

Adres:

Via Pezza Alta 13, Z.I. Rustignè, 31046 Oderzo (TV) Italië

Type:

Elektromechanische reductiemotor

Modellen:

WL1024C, WL1024

Accessoires:

OXI, OVBT, OVBTGSM, SYKCE, PS424

in overeenstemming is met de volgende communautaire richtlijn:

- 98/37/EG (gewijzigde 89/392/EEG) RICHTLIJN 98/37/EG VAN HET EUROPEES PARLEMENT EN DE RAAD van 22 juni 1998 betreffende de harmonisering van de wetgevingen der lidstaten met betrekking tot machines
Zoals voorzien door de richtlijn 98/37/EG wordt gewaarschuwd dat het niet is toegestaan bovenstaand product in bedrijf te stellen, zolang de machine waarin dit product is ingebouwd niet geïdentificeerd is en in overeenstemming met de richtlijn 98/37/EG verklaard is.

Het product is bovendien in overeenstemming met de volgende communautaire richtlijnen, die gewijzigd zijn door de Richtlijn 93/68/EEG van de raad van 22 juli 1993:

- 2006/95/EEG (ex richtlijn 73/23/EG) RICHTLIJN 2006/95/EG VAN HET EUROPEES PARLEMENT EN DE RAAD van 12 december 2006 betreffende de onderlinge aanpassing van de wetgevingen der lidstaten inzake elektrisch materiaal bestemd voor gebruik binnen bepaalde spanningsgrenzen
Volgens de volgende geharmoniseerde normen:
EN 60335-1:1994+A11:1995+A12:1996+A13:1998+A14:1998+A15:2000+A2:2000+A16:2001
- 2004/108/EEG (ex richtlijn 89/336/EEG) RICHTLIJN 2004/108/EG VAN HET EUROPEES PARLEMENT EN DE RAAD van 15 december 2004 betreffende de onderlinge aanpassing van de wetgevingen der lidstaten inzake elektromagnetische compatibiliteit en tot intrekking van Richtlijn 89/336/EEG
Volgens de volgende geharmoniseerde normen: EN 61000-6-2:2005; EN 61000-6-3:2007

Het is bovendien, beperkt tot de van toepassing zijnde delen, in overeenstemming met de volgende normen:

EN 60335-1:2002+A1:2004+A11:2004+A12:2006+ A2:2006, EN 60335-2-103:2003, EN 13241-1:2003; EN 12453:2002; EN 12445:2002; EN 12978:2003

Oderzo, 29 mei 2009

Luigi Paro (Afgevaardigd bestuurder)

EN Appendix

- *Instructions and warnings for the user*
- *Images*

IT Appendice

- *Istruzioni ed avvertenze destinate all'utilizzatore*
- *Immagini*

FR Appendice

- *Instructions et recommandations destinées à l'utilisateur*
- *Images*

ES Apéndice

- *Instrucciones y advertencias destinadas al usuario*
- *Imágenes*

DE Anhang

- *Anweisungen und Hinweise für den Benutzer*
- *Bilder*

PL Załącznik

- *Instrukcje i zalecenia przeznaczone dla użytkownika*
- *Zdjęcia*

NL Bijlage

- *Aanwijzingen en aanbevelingen voor de gebruiker*
- *Afbeeldingen*

Instructions and warnings for the user

Before using the automation system for the first time, allow the installer to explain the origin of the residual risks and take a few minutes to read this instruction manual and the warnings for the user which the installer has handed you. Keep this manual in a safe place for future reference and hand it over to any new owner of the automation system.

IMPORTANT! – Your automation system is a machine which performs the commands you send it; improper and careless use could make it become dangerous:

- Do not operate the movement of the automation system if people, animals or objects lie in its range of action.
- It is strictly forbidden to touch parts of the automation system while the gate or door are in motion!
- The photocells are not a safety device but one that is auxiliary to safety. They are built with high reliability technology but they may, under extreme circumstances, malfunction or indeed fail and, in some cases, the failure may not immediately be visible. For these reasons, please observe the following warnings when using the automation system:
 - Transit is only permitted if the gate or door is completely open and with the leaves at a standstill
 - IT IS STRICTLY FORBIDDEN to transit while the gate or door is closing!
 - Ensure the photocells are working properly on a regular basis.

• **Children:** an automation system guarantees a high level of safety; indeed, thanks to its detection systems, it controls and guarantees movement in the presence of people or objects. It is however prudent to forbid children from touching or playing near the automation system and not to leave remote controls within their reach to avoid involuntary activation: **it is not a game!**

• The product is not intended for use by persons, including children, with limited physical, sensory or mental capacities, or who lack experience or knowledge, unless supervised or trained in the use of the product by a person responsible for their safety.

• **Faults:** if an operating fault is detected in the automation system, cut off the electricity supply to the automation system and release the gearmotor manually (see respective instruction manual) to operate the gate manually. Do not perform any repair work but contact your regular installer for assistance.

• **Do not change the system or the programming and adjustment parameters of the control unit: this lies within the area of responsibility of your installer.**

• **Breakage or lack of power supply:** while waiting for your installer to call by or for the power supply to be re-established, if the system is not equipped with a back-up battery, the automation system can still be used: simply perform the manual release of the gearmotor (see the respective instruction manual) and move the gate leaf manually as required.

• **Safety devices out of order:** the automation system can still work when a safety device doesn't work properly or is out of order. The gate can be controlled in "push to run" mode as follows:

01. Send a command to operate the gate, using a transmitter or key selector, etc. If everything is working properly, the gate will move normally, otherwise proceed as follows:
02. Within 3 seconds, send the command again and keep it activated;
03. After approximately 2 seconds, the gate will perform the manoeuvre requested in "push to run" mode; i.e. the gate will continue to move only for as long as the command is activated.

N.B.! – If the safety devices are out of order, we recommend you have them repaired as soon as possible by qualified experts.

• The testing, routine maintenance and any repair work must be documented by the person who carries out the work; the documents must be kept by the owner of the system. The only operations that the user can perform regularly are the cleaning of the glass covers of the photocells (use a slightly damp soft cloth) and the removal of any leaves or pebbles which could hamper the automation system. **Important** – Before going ahead, to prevent someone from being able to activate the gate inadvertently, release the gearmotor manually (see the respective instruction manual).

• **Maintenance:** in order to keep the safety level constant and to guarantee the maximum life span of the entire automation system, regular maintenance (at least every 6 months) is vital. **All control, maintenance or repair operations must only be carried out by qualified experts.**

• **Disposal:** at the end of the life span of the automation system, make sure that it is dismantled by qualified experts and that the materials are disposed of in accordance with the applicable local regulations.

• **If the automation system was secured with the command "Secure automation system":** after a command is sent, the gate does not move and the flashing light emits 9 brief flashes.

SECURING AND RELEASING THE GEARMOTOR MANUALLY

The gearmotor is equipped with a mechanical system which allows the gate to be opened and closed manually.

These manual operations are required in the event of power cuts and operational faults.

Note - When there is no electrical power, the gate can still be moved using power from the back-up battery (mod. PS424), if included in your system.

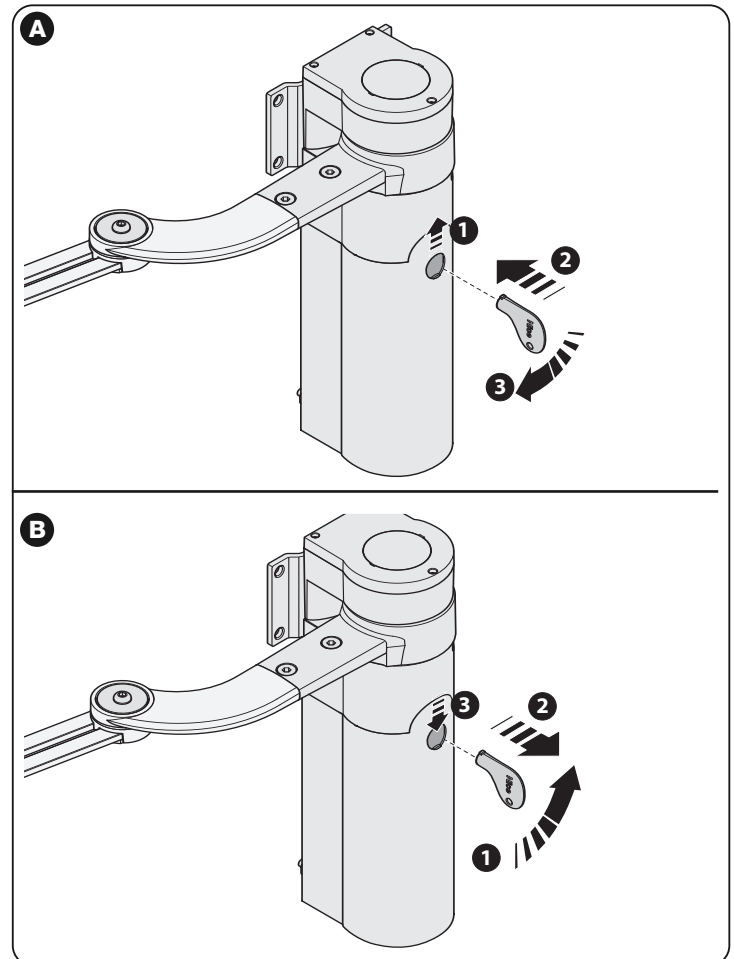
Releasing (fig. A):

01. Raise the flap;
02. Insert the key into the release pin;
03. Turn the key by almost a full turn clockwise.
04. The gate leaf can now be moved manually into the required position.

Securing (fig. B):

Note – As an effect of the elasticity of the leaf, after it is released with the leaf closed, it may not be possible to secure the leaf in the same position.

01. Turn the key anticlockwise in the release pin and move the gate leaf manually until you can hear the leaf engage mechanically with the drive mechanism.
02. Remove the key from the pin and and replace the flap.



Istruzioni ed avvertenze destinate all'utilizzatore

Prima di usare per la prima volta l'automazione, fatevi spiegare dall'installatore l'origine dei rischi residui e dedicate qualche minuto alla lettura di questo manuale d'istruzioni ed avvertenze per l'utilizzatore, consegnatovi dall'installatore. Conservate il manuale per ogni dubbio futuro e consegnatelo ad un eventuale nuovo proprietario dell'automazione.

ATTENZIONE! – La vostra automazione è un macchinario che esegue fedelmente i vostri comandi; un uso incosciente ed improprio può farlo diventare pericoloso:

– Non comandate il movimento dell'automazione se nel suo raggio di azione si trovano persone, animali o cose.

– È assolutamente vietato toccare parti dell'automazione mentre il cancello o il portone è in movimento!

– Le fotocellule non sono un dispositivo di sicurezza ma soltanto un dispositivo ausiliario alla sicurezza. Sono costruite con tecnologia ad altissima affidabilità ma possono, in situazioni estreme, subire malfunzionamenti o addirittura guastarsi e, in certi casi, il guasto potrebbe non essere subito evidente. Per questi motivi, durante l'utilizzo dell'automazione è necessario fare attenzione alle seguenti avvertenze:

- Il transito è consentito solo se il cancello o portone è completamente aperto e con le ante ferme

- È ASSOLUTAMENTE VIETATO transitare mentre il cancello o il portone si sta chiudendo!

- Verificare periodicamente il corretto funzionamento delle fotocellule.

• **Bambini:** un impianto di automazione garantisce un alto grado di sicurezza; infatti, con i suoi sistemi di rilevazione controlla e garantisce il suo movimento in presenza di persone o cose. È comunque prudente vietare ai bambini di giocare in prossimità dell'automazione e non lasciare i telecomandi alla loro portata per evitare attivazioni involontarie: **non è un gioco!**

• Il prodotto non è destinato ad essere utilizzato da persone (bambini compresi) le cui capacità fisiche, sensoriali o mentali siano ridotte, oppure con mancanza di esperienza o di conoscenza, a meno che esse abbiano potuto beneficiare, attraverso l'intermediazione di una persona responsabile della loro sicurezza, di una sorveglianza o di istruzioni riguardanti l'uso del prodotto.

• **Anomalie:** se viene notato un qualunque comportamento anomalo dell'automazione, togliere l'alimentazione elettrica all'impianto ed eseguire lo sblocco manuale del motoriduttore (vedere rispettivo manuale istruzioni) per far funzionare manualmente il cancello. Non effettuare alcuna riparazione ma richiedere l'intervento del vostro installatore di fiducia.

• **Non modificare l'impianto e i parametri di programmazione e di regolazione della centrale di comando: la responsabilità è del vostro installatore.**

• **Rottura o assenza di alimentazione:** in attesa dell'intervento del vostro installatore o del ritorno dell'energia elettrica, se l'impianto non è dotato di batterie tampone, l'automazione può essere ugualmente utilizzata: occorre eseguire lo sblocco manuale del motoriduttore (vedere rispettivo manuale istruzioni) e muovere l'anta del cancello manualmente come si desidera.

• **Dispositivi di sicurezza fuori uso:** è possibile far funzionare l'automazione anche quando qualche dispositivo di sicurezza non funziona correttamente oppure è fuori uso. È possibile comandare il cancello in modalità "uomo presente" procedendo nel modo seguente:

01. Inviare un comando per azionare il cancello, con un trasmettitore oppure con un selettore a chiave, ecc. Se tutto funziona correttamente il cancello si muoverà regolarmente, altrimenti procedere come di seguito:

02. Entro 3 secondi, azionare nuovamente il comando e mantenerlo azionato;

03. Dopo 2 secondi circa, il cancello effettuerà la manovra richiesta in modalità "uomo presente"; cioè, il cancello continuerà a muoversi solo fino a quando verrà mantenuto azionato il comando.

IMPORTANTE! – Se i dispositivi di sicurezza sono fuori uso, si consiglia di far eseguire la riparazione al più presto, da un tecnico qualificato.

• Il collaudo, le manutenzioni periodiche e le eventuali riparazioni devono essere documentate da chi esegue il lavoro; i documenti devono essere conservati dal proprietario dell'impianto. Gli unici interventi che l'utilizzatore può eseguire periodicamente, sono la pulizia dei vetri delle fotocellule (utilizzare un panno morbido e leggermente umido) e la rimozione di eventuali foglie o sassi che potrebbero ostacolare l'automatismo. **Importante** – Prima di procedere, per impedire che qualcuno possa azionare inavvertitamente il cancello, sbloccare manualmente il motoriduttore (vedere rispettivo manuale istruzioni).

• **Manutenzione:** per mantenere costante il livello di sicurezza e per garantire la massima durata dell'intera automazione è necessaria una manutenzione regolare (almeno ogni 6 mesi). **Qualunque intervento di controllo, manutenzione o riparazione deve essere eseguito solo da personale qualificato.**

• **Smaltimento:** al termine della vita dell'automazione, assicuratevi che lo smantellamento sia eseguito da personale qualificato e che i materiali vengano riciclati o smaltiti secondo le norme valide a livello locale.

• **Se l'automazione è stata bloccata con il comando "Blocca automazione":** dopo l'invio di un comando, il cancello non si muove ed il lampeggiante emette 9 brevi lampeggi.

SBLOCCARE E BLOCCARE MANUALMENTE IL MOTORIDUTTORE

Il motoriduttore è dotato di un sistema meccanico che consente di aprire e chiudere il cancello manualmente.

Queste operazioni manuali devono essere eseguite nei casi di mancanza di corrente elettrica, anomalie di funzionamento.

Nota - In caso di mancanza di corrente elettrica, per muovere il cancello è possibile usufruire anche dell'energia fornita dalla batteria tampone (mod. PS424), se questa è presente nell'impianto.

Sbloccare (fig. A):

01. Alzare lo sportellino;

02. Inserire la chiave nell'apposito perno di sblocco;

03. Ruotare la chiave in senso orario, compiendo quasi un giro completo.

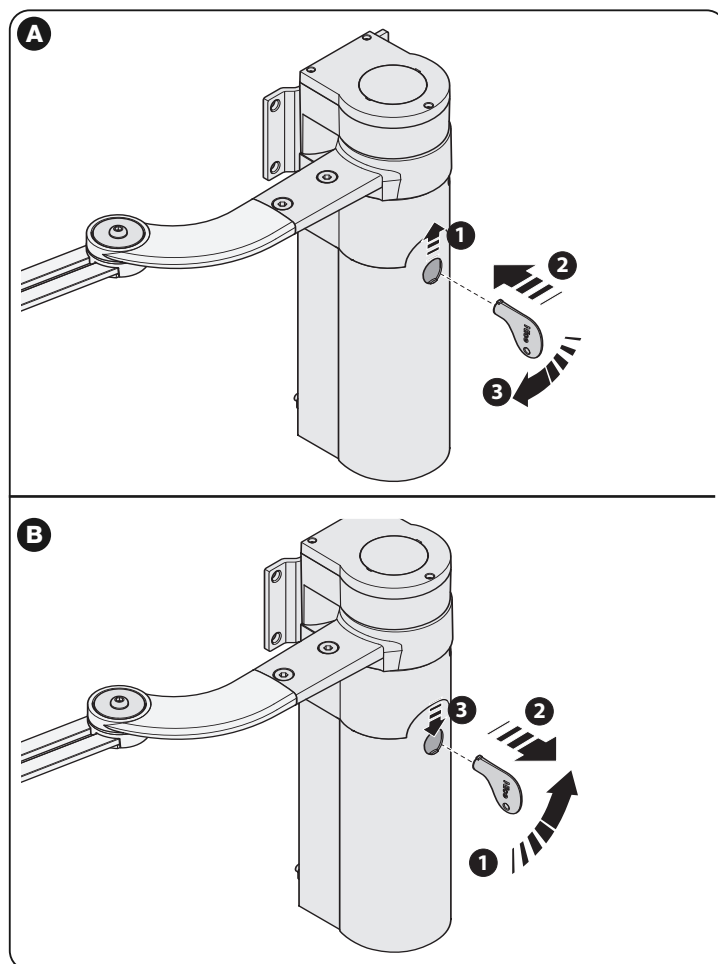
04. A questo punto sarà possibile muovere manualmente l'anta del cancello nella posizione desiderata.

Bloccare (fig. B):

Nota – Per effetto dell'elasticità dell'anta, dopo lo sblocco ad anta chiusa potrebbe non essere possibile eseguire il blocco dell'anta nella stessa posizione.

01. Ruotare in senso antiorario la chiave sul perno di sblocco e muovere manualmente l'anta fino a quando si sente il rumore meccanico di aggancio dell'anta al meccanismo di traino.

02. Togliere la chiave dal perno e riposizionare lo sportellino.



Instructions et recommandations destinées à l'utilisateur

Avant d'utiliser pour la première fois l'automatisation, se faire expliquer par l'installateur l'origine des risques résiduels et dédier quelques minutes à la lecture de ce manuel d'instructions et recommandations pour l'utilisateur, fourni par l'installateur. Conserver le manuel pour chaque doute futur et le transmettre à un éventuel nouveau propriétaire de l'automatisation.

ATTENTION ! – L'automatisation est une machine qui effectue fidèlement vos commandes ; une utilisation inconsciente et incorrecte peut le rendre dangereux :

– Ne pas commander le mouvement de l'automatisation si dans son rayon d'action se trouvent des personnes, des animaux ou des choses.

– Il est absolument interdit de toucher des parties de l'automatisation tandis que le portail est en mouvement !

– Les photocellules ne sont pas un dispositif de sécurité mais seulement un dispositif de support pour la sécurité. Elles sont construites avec une technologie extrêmement fiable mais peuvent, dans des cas extrêmes, subir des dysfonctionnements ou même s'endommager et la panne pourrait ne pas être tout de suite évidente. Pour ces raisons, durant l'utilisation de l'automatisation faire attention aux recommandations suivantes :

– Le transit n'est permis que si le portail est complètement ouvert avec les vantaux à l'arrêt

– IL EST ABSOLUMENT INTERDIT de transiter alors que le portail est en train de se fermer !

– Contrôler périodiquement le correct fonctionnement des photocellules.

• **Enfants** : une installation d'automatisation garantit un haut degré de sécurité ; en effet, avec ses systèmes de détection elle contrôle et garantit son mouvement en présence de personnes ou de choses. Il est toutefois prudent d'interdire aux enfants de jouer à proximité de l'automatisation et de ne pas laisser les télécommandes à leur portée afin d'éviter des activations involontaires : **ce n'est pas un jeu !**

• Le produit n'est pas destiné à être utilisé par des personnes (enfants compris) dont les capacités physiques, sensorielles ou mentales sont réduites ou manquant d'expérience ou de connaissance, à moins que celles-ci n'aient pu bénéficier, à travers l'intermédiation d'une personne responsable de leur sécurité, d'une surveillance ou d'instructions concernant l'utilisation du produit.

• **Anomalies** : en cas de comportement anormal de l'automatisation, couper l'alimentation électrique de l'installation et effectuer le déblocage manuel de l'opérateur (voir manuel d'instructions respectif) pour faire fonctionner manuellement le portail. N'effectuer aucune réparation mais demander l'intervention de l'installateur de confiance.

• **Ne pas modifier l'installation et les paramètres de programmation et de réglage de la centrale de commande : la responsabilité est de l'installateur.**

• **Rupture et absence d'alimentation** : en attendant l'intervention de l'installateur ou du retour de l'énergie électrique, si l'installation est équipée de batterie tampon, l'automatisation peut quand même être utilisée : il faut effectuer le déblocage manuel de l'opérateur (voir manuel d'instructions respectif) et déplacer le vantail manuellement comme on le souhaite.

• **Dispositifs de sécurité hors service** : il est possible de faire fonctionner l'automatisation même lorsque certains dispositifs de sécurité ne fonctionnent pas correctement ou sont hors service. Il est possible de commander le portail en modalité "homme présent" en procédant de la manière suivante :

01. Envoyer une commande pour actionner le portail, avec un émetteur ou un sélecteur à clé, etc. Si tout fonctionne correctement, le portail se déplacera régulièrement, sinon procéder comme suit ;

02. Dans les 3 secondes qui suivent, actionner de nouveau la commande et la maintenir actionnée ;

03. Après environ 2 secondes, le portail effectuera la manœuvre requise en modalité "homme présent" ; le portail ne continuera donc à se déplacer que lorsque la commande est maintenue actionnée.

IMPORTANT ! – Si les dispositifs de sécurité sont hors service, il est conseillé de les faire réparer le plus rapidement possible par un technicien qualifié.

• L'essai, les opérations périodiques de maintenance et les éventuelles réparations doivent être documentées par la personne qui effectue le travail ; les documents doivent être conservés par le propriétaire de l'installation. Les seules interventions que l'utilisateur peut effectuer périodiquement sont l'entretien des vitres des photocellules (utiliser un chiffon doux et légèrement humide) et l'élimination d'éventuelles feuilles ou de cailloux qui pourraient empêcher l'automatisme. **Important** – Avant de procéder et afin d'empêcher que quelqu'un puisse actionner accidentellement le portail, débloquent manuellement l'opérateur (voir le respectif manuel d'instructions).

• **Maintenance** : pour maintenir constant le niveau de sécurité et pour garantir la durée maximale de toute l'automatisation, une maintenance régulière est nécessaire (au moins tous les 6 mois). **Toute intervention de contrôle, maintenance ou réparation ne doit être effectuée que par un personnel qualifié.**

• **Mise au rebut** : à la fin de la vie de l'automatisation, s'assurer que le démantèlement soit effectué par un personnel qualifié et que les matériaux soient recyclés ou éliminés conformément aux normes en vigueur au niveau local.

• **Si l'automatisation a été bloquée avec la commande "Blocage automatisation"** : après l'envoi d'une commande, le portail ne se déplace pas et le clignotant émet 9 clignotements brefs.

DÉBLOQUER ET BLOQUER MANUELLEMENT L'OPÉRATEUR

L'opérateur est muni d'un système de mécanique qui permet d'ouvrir et de fermer manuellement le portail.

Ces opérations manuelles doivent être effectuées en cas de coupure de courant électrique ou d'anomalies de fonctionnement.

Note - En cas de coupure de courant électrique, pour déplacer le portail il est possible d'utiliser aussi l'énergie fournie par la batterie tampon (mod. PS424), si celle-ci est présente sur l'installation.

Débloquent (fig. A) :

01. Soulever le volet ;

02. Insérer la clé dans le pivot de déblocage prévu à cet effet ;

03. Tourner la clé dans le sens des aiguilles d'une montre, en effectuant un tour complet.

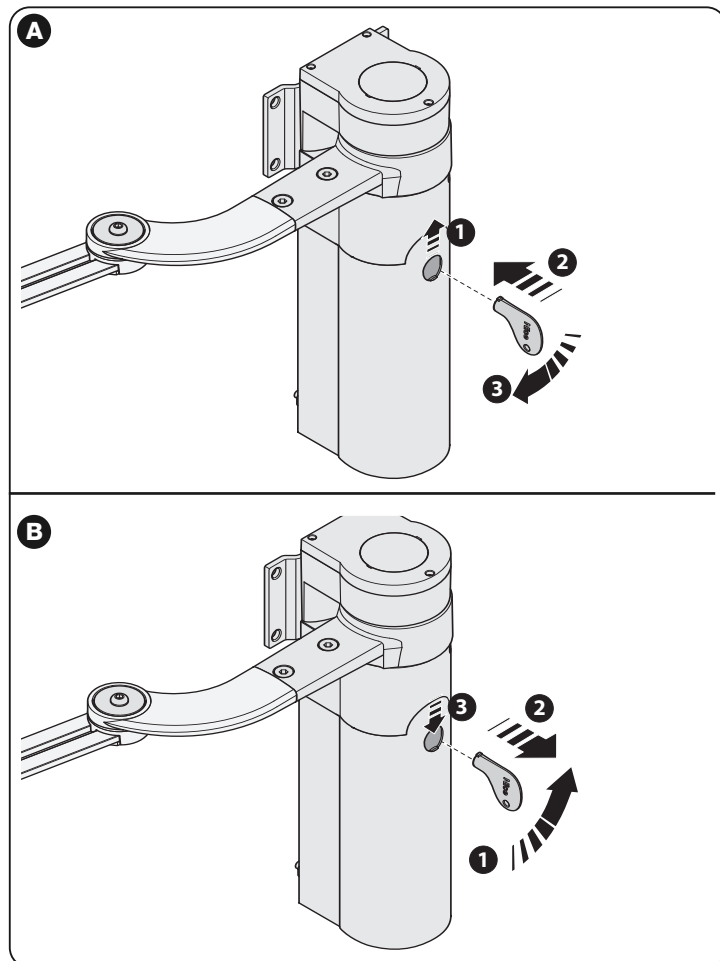
04. Il est maintenant possible de déplacer le vantail du portail dans la position souhaitée.

Bloquer (fig. B) :

Note – À cause de l'élasticité du vantail, après le déblocage à vantail fermé il pourrait ne pas être possible d'effectuer le blocage du vantail dans la même position.

01. Tourner dans le sens contraire des aiguilles d'une montre la clé présente sur le pivot de déblocage et déplacer manuellement le vantail jusqu'à entendre le bruit mécanique d'accrochage du vantail au mécanisme de traction.

02. Retirer la clé du pivot et remettre en position le volet.



Instrucciones y advertencias destinadas al usuario

Antes de utilizar el automatismo por primera vez, solicite al instalador que le explique el origen de los riesgos residuales, y dedique algunos minutos a la lectura de este manual de instrucciones y advertencias del usuario que le ha entregado el instalador. Conserve el manual para cualquier duda futura y entréguelo al nuevo propietario en caso de traspaso del automatismo.

¡ATENCIÓN! – Su automatismo es una máquina que lleva a cabo sus órdenes de manera fiel; un uso imprudente e impropio puede hacer que resulte peligroso:

– No accione el movimiento del automatismo si hay personas, animales o cosas en su radio de acción.

– ¡Se prohíbe terminantemente tocar cualquier parte del automatismo mientras la puerta o portón está en movimiento!

– Las fotocélulas no son un dispositivo de seguridad, sino solo un dispositivo de apoyo a la seguridad. A pesar de haber sido fabricadas con tecnología de altísima fiabilidad, en situaciones extremas pueden experimentar fallos de funcionamiento o incluso averiarse; en ciertos casos la avería sufrida podría no resultar evidente. Por estos motivos, durante el uso del automatismo es necesario respetar las siguientes advertencias:

- El tránsito solo está permitido si la puerta o portón está completamente abierta y con las hojas detenidas

- ¡SE PROHÍBE TERMINANTEMENTE el tránsito mientras la puerta o portón se está cerrando!

- Compruebe periódicamente el correcto funcionamiento de las fotocélulas.

• **Niños:** una instalación de automatización garantiza un alto grado de seguridad; de hecho, gracias a sus sistemas de detección, controla y garantiza su movimiento en presencia de personas o cosas. De todos modos, conviene impedir que los niños jueguen cerca del automatismo y mantener los mandos a distancia fuera de su alcance, para evitar activaciones involuntarias: **¡no es un juguete!**

• El producto no está destinado a su uso por parte de personas (niños incluidos) cuyas capacidades físicas, sensoriales o mentales se hallen disminuidas, o que carezcan de la experiencia o conocimientos necesarios, a no ser que una persona responsable de su seguridad les proporcione supervisión o instrucciones acerca del uso del producto.

• **Anomalías:** si se percibe cualquier comportamiento anormal del automatismo, desconecte inmediatamente la alimentación eléctrica de la instalación y desbloquee manualmente el motorreductor (véase el manual de instrucciones correspondiente) para hacer funcionar la puerta manualmente. No efectúe ninguna reparación usted mismo: solicite la intervención de su instalador de confianza.

• **No modifique la instalación ni los parámetros de programación y regulación de la central de mando:** dichas tareas corresponden a su instalador.

• **Rotura o falta de alimentación:** a la espera de la intervención de su instalador o de que se restablezca la energía eléctrica, se puede utilizar la instalación de todos modos, aunque no disponga de batería compensadora: es necesario efectuar el desbloqueo manual del motorreductor (véase el manual de instrucciones correspondiente) y mover manualmente la hoja de la puerta hasta la posición deseada.

• **Dispositivos de seguridad fuera de servicio:** puede hacerse funcionar el automatismo incluso si alguno de los dispositivos de seguridad no funciona correctamente o se encuentra fuera de servicio. Se puede controlar la puerta en modalidad "hombre presente" siguiendo estas instrucciones:

01. Envíe un mando para accionar la puerta, mediante un transmisor o con un selector de llave, etc. Si todo funciona correctamente, la puerta se moverá normalmente; en caso contrario siga estos pasos:

02. Antes de que pasen 3 segundos, vuelva a accionar el mando y manténgalo accionado;

03. Pasados unos 2 segundos, la puerta ejecutará la maniobra solicitada en modalidad "hombre presente"; es decir, la puerta solo se moverá mientras se mantenga accionado el mando.

IMPORTANTE – Si los dispositivos de seguridad se encuentran fuera de servicio, se recomienda encargar su reparación a un técnico cualificado lo antes posible.

• El ensayo, las operaciones de mantenimiento periódico y las posibles reparaciones deberán ser documentadas por quien lleva a cabo las tareas: los documentos deberán ser conservados por el propietario de la instalación. Las únicas intervenciones que puede realizar el usuario periódicamente son la limpieza de los cristales de las fotocélulas (utilice un paño suave y ligeramente humedecido) y la eliminación de posibles hojas o piedras que pudieran suponer un obstáculo para el automatismo. **Importante –** Antes de comenzar las operaciones, para impedir que alguien pueda accionar la puerta inadvertidamente, desbloquee manualmente el motorreductor (véase el manual de instrucciones correspondiente).

• **Mantenimiento:** para mantener constante el nivel de seguridad y garantizar una máxima durabilidad de todo el automatismo, es necesario llevar a cabo un mantenimiento regular (al menos cada 6 meses). **Cualquier intervención de**

revisión, mantenimiento o reparación deberá ser efectuada solo por personal cualificado.

• **Eliminación:** al final de la vida útil del automatismo, asegúrese de que el desguace sea realizado por personal cualificado y que los materiales sean reciclados o eliminados conforme a las normas vigentes a nivel local.

• **Si se ha bloqueado el automatismo con el mando "Bloquear automatismo":** tras enviar un mando, la puerta no se mueve y la luz intermitente emite 9 parpadeos breves.

DESBLOQUEO Y BLOQUEO MANUAL DEL MOTORREDUCTOR

El motorreductor incluye un sistema mecánico que permite abrir y cerrar la puerta manualmente.

Estas operaciones manuales deben efectuarse en caso de interrupción de la corriente eléctrica o anomalías de funcionamiento.

Nota - En caso de interrupción de la corriente eléctrica, para mover la puerta se puede utilizar también la energía suministrada por la batería compensadora (mod. PS424), si está incluida en la instalación.

Desbloqueo (fig. A):

01. Levante la portezuela;

02. Introduzca la llave en el perno de desbloqueo;

03. Gire la llave en el sentido de las agujas del reloj, realizando un giro casi completo.

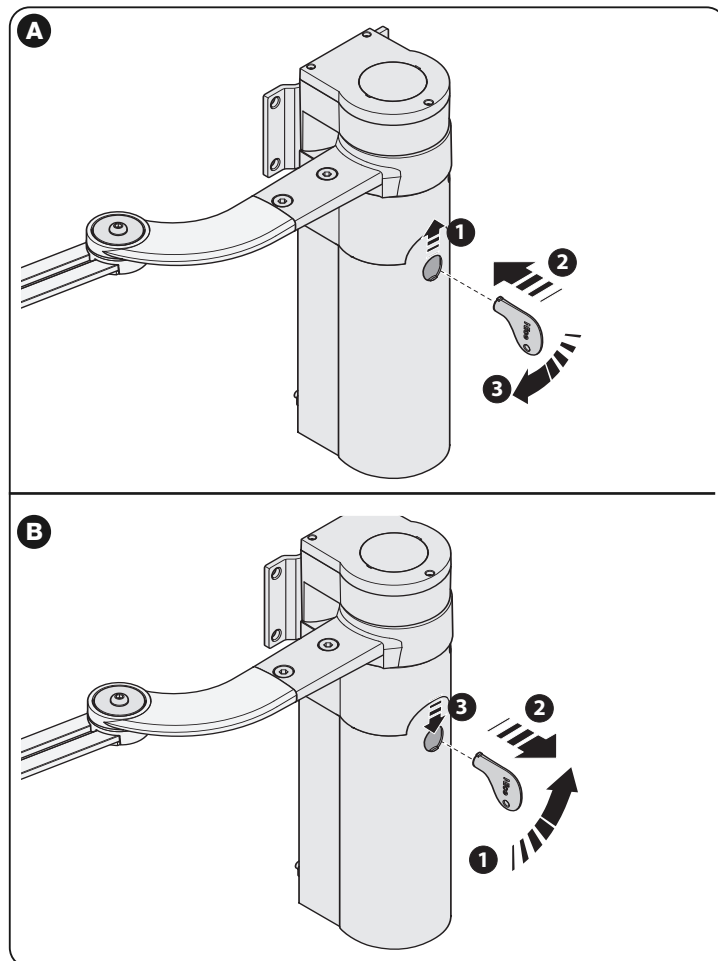
04. Ahora se podrá mover manualmente la hoja de la puerta hasta la posición deseada.

Bloqueo (fig. B):

Nota – Debido a la elasticidad de la hoja, tras efectuar el desbloqueo con la hoja cerrada podría resultar imposible bloquear la hoja en esa misma posición.

01. Gire en sentido contrario al de las agujas del reloj la llave en el perno de desbloqueo y mueva la hoja manualmente hasta que se oiga el sonido mecánico de enganche de la hoja al mecanismo de arrastre.

02. Extraiga la llave del perno y vuelva a colocar la portezuela.



Anweisungen und Hinweise für den Benutzer

Bevor man zum ersten Mal die Automatisierung benutzt, sich vom Installateur die Ursache der Restgefahren erklären lassen und die Zeit zum Durchlesen dieser Gebrauchsanweisung und der Hinweise für den Benutzer finden, die vom Installateur überlassen wurden. Die Gebrauchsanweisung für ein Nachschlagen bei späteren Zweifeln und für die Weitergabe an einen eventuellen neuen Besitzer der Automatisierung aufbewahren.

ACHTUNG! – Ihre Automatisierung ist ein Gerät, das getreu Ihre Befehle ausführt: ein leichtsinniger und unsachgemäßer Gebrauch kann sie zu einer Gefahrenquelle werden lassen:

– Nicht die Bewegung der Automatisierung veranlassen, wenn sich in ihrem Aktionsradius Personen, Tiere oder Gegenstände befinden.

– Das Berühren der Automatisierungsteile während der Bewegung des Tors oder der Eingangstür ist absolut verboten!

– Die Fotozellen sind keine Sicherheitsvorrichtung, sondern nur eine zusätzliche Einrichtung zur Sicherheit. Sie sind mit einer äußerst zuverlässigen Technologie konstruiert, können aber in extremen Situationen Störungen aufweisen oder beschädigt werden. In einigen Fällen könnte der Schaden nicht sofort bemerkt werden. Aus diesen Gründen müssen während des Gebrauchs der Automatisierung folgende Hinweise beachtet werden:

- Das Durchqueren ist nur erlaubt, wenn das Tor oder die Eingangstür ganz offen ist und die Flügel stillstehen.

- Wenn sich das Tor oder die Eingangstür schließt, ist das Durchqueren **STRIKT VERBOTEN!**

- Den einwandfreien Betrieb der Fotozellen regelmäßig prüfen.

• **Kinder:** eine Automatisierungsanlage gewährt einen hohen Sicherheitsgrad; mit ihrem Erfassungssystem kontrolliert und garantiert sie ihre Bewegung in Anwesenheit von Personen oder Gegenständen. Als Vorsichtsmaßnahme sollten Kinder nicht in der Nähe der Automatisierung spielen und die Fernbedienungen sollten sich außerhalb ihrer Reichweite befinden, um ungewollte Aktivierungen auszuschließen: **sie sind kein Spielzeug!**

• Das Produkt darf nicht von Personen (einschließlich Kinder) mit eingeschränkten körperlichen, geistigen oder wahrnehmlich gestörten Fähigkeiten oder fehlender Erfahrung oder Kenntnis benutzt werden, es sei denn, eine für ihre Sicherheit verantwortliche Person überwacht sie oder unterweist sie im Gebrauch des Produkts.

• **Störungen:** sobald ein ungewöhnliches Verhalten der Automatisierung auftritt, die Stromversorgung zur Anlage unterbrechen und die manuelle Entriegelung des Getriebes vornehmen (siehe entsprechende Gebrauchsanweisung), damit das Tor im Handbetrieb arbeitet. Nicht reparieren, sondern einen zuverlässigen Installateur verständigen.

• Die Anlage und die Parameter der Programmierung und der Einstellung des Steuergerätes nicht ändern: hierfür ist der Installateur verantwortlich.

• **Beschädigung oder Stromausfall:** während man auf den Installateur oder auf die Stromrückkehr wartet, kann die Automatisierung auch wenn keine Pufferbatterie vorhanden ist, trotzdem benutzt werden: von Hand das Getriebe entriegeln (siehe entsprechende Gebrauchsanweisung) und den Torflügel manuell wie gewünscht bewegen.

• **Ausgefallene Sicherheitsvorkehrungen:** die Automatisierung kann auch dann funktionieren, wenn Sicherheitsvorkehrungen nicht funktionieren oder ausgefallen sind. Das Tor kann im Modus "Totmann", bedient werden, dazu wie folgt vorgehen:

01. Mit einem Sender oder einem Schlüsselwahlschalter, usw. einen Befehl zur Betätigung des Tors senden. Wenn alles sachgerecht funktioniert, bewegt sich das Tor ordnungsgemäß, ansonsten wie folgt vorgehen:

02. innerhalb 3 Sekunden den Befehl erneut erteilen und ihn betätigt halten;

03. nach etwa 2 Sekunden führt das Tor das verlangte Manöver im Modus "Totmann" aus; das heißt, das Tor bewegt sich nur so lange wie die Bedienung betätigt wird.

WICHTIG! – Wenn die Sicherheitsvorrichtungen ausgefallen sind, sollten sie so schnell wie möglich von einem qualifizierten Techniker repariert werden.

• Die Endabnahmen, regelmäßigen Wartungen und eventuelle Reparaturen von demjenigen, der die Arbeiten durchführt schriftlich festgehalten werden. Die Schriftstücke müssen vom Anlagenbesitzer aufbewahrt werden. Die einzigen Eingriffe, die der Besitzer regelmäßig durchführen kann, sind die Reinigung der Glasscheiben der Fotozellen (ein weiches und leicht angefeuchtetes Tuch benutzen) und das Entfernen von Blättern und Steinen, die die Automatisierung behindern könnten. **Wichtig** – Zuvor muss das Getriebe von Hand entriegelt werden, damit das Tor nicht unversehens betätigt wird (siehe betreffende Gebrauchsanweisung).

• **Wartung:** Um das Sicherheitsniveau immer beizubehalten und die maximale Haltbarkeit zu gewährleisten ist eine regelmäßige Wartung notwendig (mindestens alle 6 Monate). **Jede Kontrolle, Wartung und Reparatur muss von qualifiziertem Personal durchgeführt werden.**

• **Entsorgung:** Wenn die Automatisierung nicht mehr verwendbar ist, sicher stellen, dass die Zerlegung durch qualifiziertes Personal erfolgt und die Materialien nach den örtlichen, geltenden Bestimmungen wiederverwertet oder entsorgt werden.

• **Falls die Automatisierung mit der Bedienung "Automatisierung blockieren" blockiert wurde:** nach dem Senden eines Befehls bewegt sich das Tor nicht und das Blinklicht blinkt 9-mal kurz auf.

DAS GETRIEBE VON HAND ENTRIEGELN UND BLOCKIEREN

Das Getriebe besitzt ein mechanisches System, mit dem sich das Tor von Hand öffnen und schließen lässt.

Diese Handabläufe sind bei Stromausfall und Betriebsstörungen zu benutzen.

Hinweis - Bei Stromausfall kann man für die Torbewegung auch die Energie aus der Pufferbatterie (Mod.PS424) benutzen, falls sie in die Anlage eingebaut ist.

Entriegeln (Abb. A):

01. Die Klappe hochschieben;

02. Den Schlüssel in den betreffenden Entriegelungsstift stecken.

03. Mit dem Schlüssel im Uhrzeigersinn eine komplette Drehung ausführen.

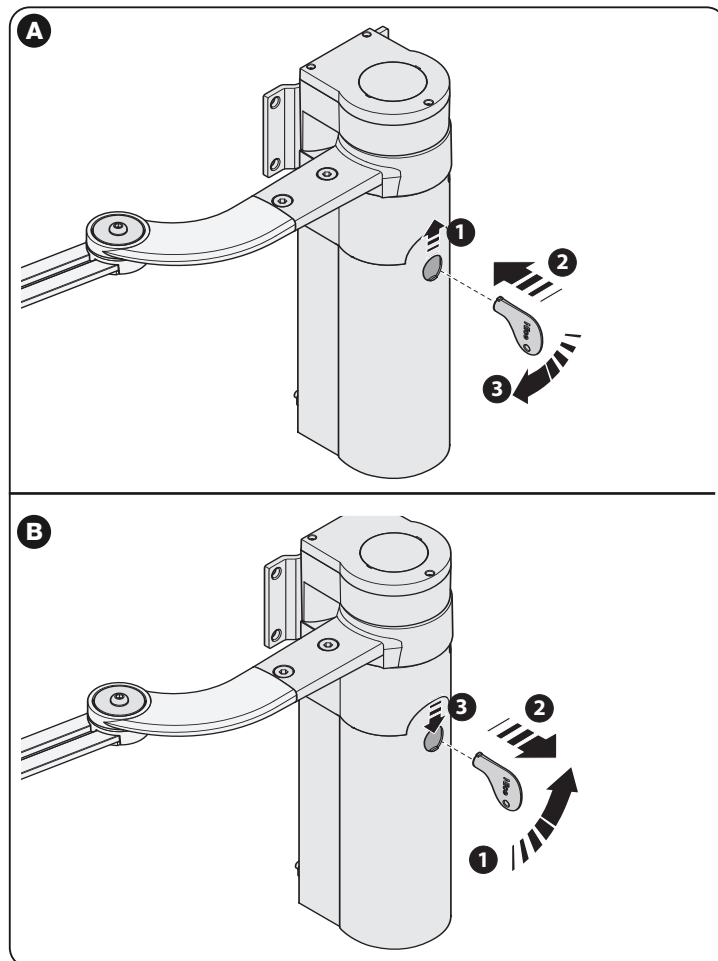
04. Jetzt kann man den Torflügel von Hand in die gewünschte Stellung bringen.

Blockieren (Abb. B):

Anmerkung – Auf Grund der Flügelelastizität könnte nach einer Entriegelung bei geschlossenem Flügel, die Blockierung des Flügel in der gleichen Stellung nicht möglich sein.

01. Den Schlüssel auf dem Entriegelungsstift gegen den Uhrzeigersinn drehen und den Flügel von Hand bewegen bis das metallene Einhängegeräusch des Flügel am Zugmechanismus zu hören ist.

02. Den Schlüssel vom Stift nehmen und die Klappe wieder schließen.



Instrukcje i wskazówki dla użytkownika

Przed pierwszym użyciu automatyki zaleca się poproszenie osoby, która dokonała montażu o wyjaśnienie, jakie zagrożenia mogą pojawić się w czasie użytkowania bramy oraz zaleca się przeznaczenie kilku minut na przeczytanie instrukcji i ostrzeżeń dla użytkownika, przekazanych przez osobę, która dokonała montażu. Instrukcję obsługi należy zachować na przyszłość i przekazać ją ewentualnemu nowemu właścicielowi automatyki.

UWAGA! – Państwa automat jest maszyną, który dokładnie wykonuje Wasze polecenia; niewłaściwe lub nieuprawnione użycie może stać się niebezpieczne:

- Nie sterujcie ruchem bramy, jeśli w jej pobliżu znajdują się osoby, zwierzęta lub przedmioty.
- Bezwzględnie zabrania się dotykania części automatyki, gdy brama lub drzwi są w ruchu!
- Fotokomórki nie są urządzeniami zabezpieczającymi, są wyłącznie pomocniczymi urządzeniami bezpieczeństwa. Zostały skonstruowane w oparciu o technologię o wysokiej niezawodności, w ekstremalnych sytuacjach mogą jednakże funkcjonować nieprawidłowo lub nawet ulec uszkodzeniu, a w niektórych przypadkach uszkodzenie może nie być natychmiast widoczne. Dlatego, w trakcie użytkowania automatyki należy koniecznie postępować zgodnie z następującymi zaleceniami:
 - Przejazd jest dozwolony wyłącznie, jeżeli brama lub drzwi są całkowicie otwarte, a skrzydła unieruchomione.
 - **BEZWZGLĘDNIEM ZABRANIA SIĘ** przejeżdżania podczas kiedy brama lub drzwi zamykają się!
 - Należy okresowo sprawdzać prawidłową pracę fotokomórek.

• **Dzieci:** automatka gwarantuje wysoki poziom bezpieczeństwa, a niezawodne fotokomórki uniemożliwiają wykonanie ruchu w obecności osób lub rzeczy. Mimo to lepiej zabronić dzieciom bawienia się w pobliżu automatyki oraz nie zostawiać nigdy pilotów bez nadzoru, aby uniknąć nieumyślnej aktywacji urządzenia: **to nie zabawka!**

• Produkt nie może być użytkowany przez osoby (w tym dzieci) o ograniczeniach fizycznych lub umysłowych, a także przez tych, którzy nie posiadają stosownego doświadczenia lub wiedzy, o ile nie mają możliwości skorzystania z nadzoru lub instrukcji dotyczących użytkowania produktu, za pośrednictwem osób odpowiedzialnych za ich bezpieczeństwo.

• **Anomalie:** w przypadku odnotowania jakichkolwiek anomalii w funkcjonowaniu automatyki należy od razu odłączyć zasilanie i wysprzęglić ręcznie siłownik, (zobacz stosowną instrukcję obsługi), by brama zadziałała w trybie ręcznym. Nie próbować samemu naprawiać urządzenia, lecz zwrócić się o pomoc do zaufanej osoby ds. instalacji.

• Nie należy modyfikować urządzenia ani parametrów programowania i regulacji centrali sterującej: za te czynności odpowiedzialna jest osoba wykonująca instalację.

• **Uszkodzenie lub brak zasilania:** podczas oczekiwania na osobę ds. instalacji lub na przywrócenie zasilania, jeśli instalacja nie jest wyposażona w akumulator rezerwowy, automatyka może być normalnie obsługiwana: w tym celu należy wysprzęglić siłownik (zobacz stosowną instrukcję obsługi) i ręcznie w dowolny sposób poruszyć skrzydłem bramy.

• **Sterowanie przy niesprawnych urządzeniach zabezpieczających:** istnieje możliwość sterowania bramą, nawet wówczas, gdy urządzenia zabezpieczające nie działają prawidłowo. Możliwe jest sterowanie bramą w trybie **“w obecności operatora”**, postępując w sposób następujący:

01. Wybrać polecenie uruchamiające bramę za pomocą nadajnika lub przełącznika kluczykowego, itd. Jeśli wszystko prawidłowo funkcjonuje, brama porusza się regularnie, w przeciwnym razie należy postępować następująco;
02. Przed upływem 3 sekund należy ponownie wybrać polecenie, które ma zostać wykonane;
03. Po ok.2 sekundach, brama wykona manewr wymagany w trybie **“w obecności operatora”**; tzn. brama będzie się poruszać tylko wtedy, gdy wciśnięty będzie przycisk polecenia.

WAŻNE! – Jeśli urządzenia zabezpieczające są niesprawne, zaleca się jak najszybsze wykonanie naprawy przez wykwalifikowanego technika.

• Odbiór techniczny, konserwacje okresowe i ewentualne naprawy muszą być udokumentowane przez osoby wykonujące te czynności; dokumenty muszą być zachowane przez właściciela systemu. Jedyne czynności, które może okresowo wykonywać użytkownik to czyszczenie szyb fotokomórek (użyć miękkiej i lekko wilgotnej ściereczki) i usuwanie ewentualnych liści lub kamieni, które mogłyby przeszkodzić w ruchu bramy. **Ważne** – Przed rozpoczęciem czynności, aby niedopuszczyć do przypadkowego uruchomienia bramy przez kogokolwiek, należy odblokować ręcznie siłownik (zobacz stosowną instrukcję obsługi).

• **Konserwacja:** w celu utrzymania stałego poziomu bezpieczeństwa i zagwarantowania maksymalnej trwałości całego systemu automatyki, konieczna jest regularna konserwacja (przynajmniej co 6 miesięcy). **Wszystkie czynności**

kontrolne, konserwacyjne lub naprawcze muszą być wykonane jedynie przez wykwalifikowany personel.

• **Utylizacja:** po zakończeniu żywotności automatyki, czynności związane z demontażem muszą być wykonane przez wykwalifikowany personel, a materiały muszą zostać poddane utylizacji lub mogą zostać powtórnie użyte, zgodnie z obowiązującymi normami lokalnymi.

• **Jeśli automatyka została zablokowana przez polecenie “Zablokuj automatykę”:** po wysłaniu polecenia, brama nie rusza się, a lampka sygnalizacyjna powinna mignąć 9 razy.

ODBLOKOWYWANIE I BLOKOWANIE RĘCZNE SIŁOWNIKA

Siłownik jest wyposażony w system mechanicznego wysprzęglenia, umożliwiający ręczną obsługę bramy.

Obsługę ręczną stosujemy w wypadku awarii zasilania lub usterki systemu.

Uwaga - W przypadku kłopotów z zasilaniem do poruszenia bramy można zastosować akumulator rezerwowy (mod. PS424), o ile występuje w instalacji.

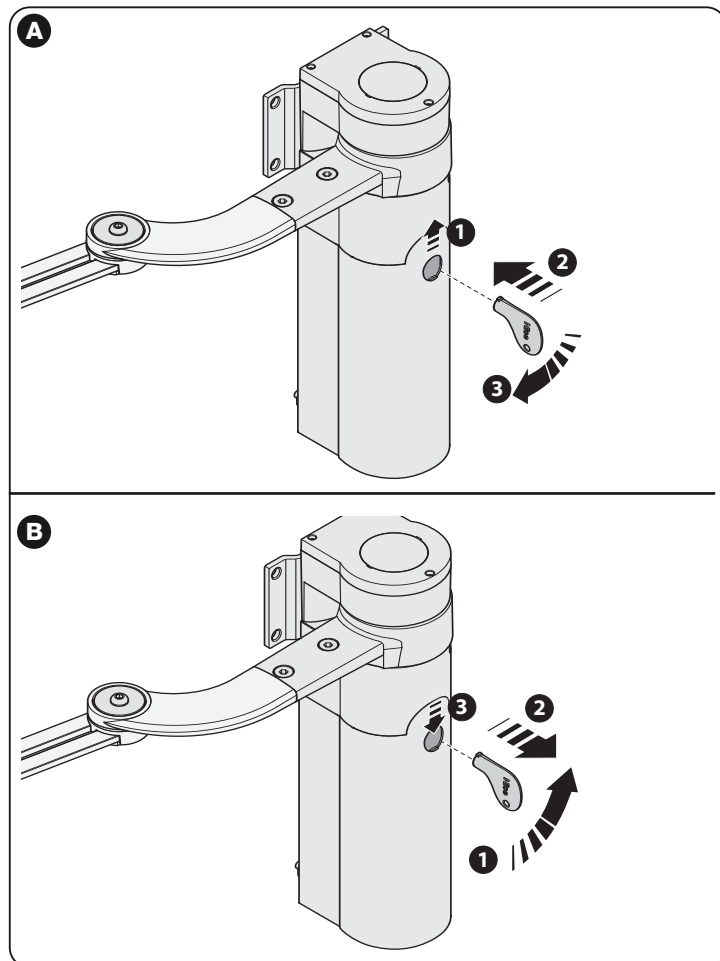
Odblokować (rys. A):

01. Podnieść pokrywkę;
02. Włożyć klucz w odpowiedni trzpień odblokowujący;
03. Przekręcić klucz zgodnie z ruchem wskazówek zegara, wykonując prawie całkowity obrót.
04. Teraz skrzydło bramy można przesunąć ręcznie do żądanej pozycji.

Zablokować (rys. B):

Uwaga – W związku z elastycznością skrzydła, po odblokowaniu zamkniętego skrzydła może nie być możliwe zablokowanie skrzydła w tej samej pozycji.

01. Obrócić klucz na trzpieniu blokującym w kierunku odwrotnym do ruchu wskazówek zegara i przesunąć ręcznie skrzydło bramy do momentu, gdy zaskoczy mechanizm sprzęgła.
02. Wyjąć klucz z trzpienia i ponownie umieścić pokrywkę.



Instructies en waarschuwingen voor de gebruiker

Voordat u de automatisering voor de eerste keer gebruikt, moet de installateur u de oorsprong van de restricties uitleggen. Wijd enkele minuten aan het lezen van deze handleiding en waarschuwingen voor de gebruiker, die de installateur u gegeven heeft. Bewaar deze handleiding om haar ook in de toekomst te kunnen raadplegen en geef haar aan een eventuele nieuwe eigenaar van de automatisering.

LET OP! – Uw automatisering is een machine die op betrouwbare wijze uw opdrachten uitvoert. Door een onverantwoordelijk en oneigenlijk gebruik kan ze gevaarlijk worden:

- Bedien de beweging van de automatisering niet als zich personen, dieren of voorwerpen binnen haar actieradius bevinden.
- Het is strikt verboden aan delen van de automatisering te komen, terwijl het hek of de poort in beweging is!
- De fotocellen zijn geen veiligheidsinrichting, maar slechts een hulpmiddel voor de veiligheid. Ze zijn volgens een zeer betrouwbare technologie gemaakt, maar kunnen onder extreme omstandigheden een storing hebben of zelfs kapotgaan en in sommige gevallen kan de storing niet meteen duidelijk zijn. Daarom moet tijdens het gebruik van de automatisering op de volgende waarschuwingen worden gelet:
 - De doorgang is alleen toegestaan als het hek of de poort helemaal geopend is en de deuren stilstaan
 - HET IS STRIKT VERBODEN het hek of de poort in of uit te gaan, terwijl het sluit!
 - Controleer de goede werking van de fotocellen regelmatig.

• **Kinderen:** een automatisering garandeert een hoge veiligheidsgraad. Door haar detectiesystemen controleert en belet ze de beweging ervan in aanwezigheid van personen of voorwerpen. Het is echter verstandig kinderen te verbieden in de buurt van de automatisering te spelen en de afstandbedieningen buiten hun bereik te houden om ongewenste inschakelingen te vermijden: **het is geen speelgoed!**

• Het is niet de bedoeling dat dit product wordt gebruikt door personen (kinderen hierbij inbegrepen) met verminderde lichamelijke, sensorische of geestelijke vermogens, of zonder voldoende ervaring en kennis, tenzij het onder toezicht van een voor hun veiligheid verantwoordelijke persoon wordt gebruikt, of hen door hem goede instructies zijn gegeven over het gebruik van het product.

• **Storing:** als de automatisering zich ongewoon gedraagt, neemt u de elektrische voeding van de installatie en deblokkeert u de reductiemotor handmatig (zie de bijbehorende handleiding) om het hek handmatig te laten werken. Probeer het hek niet te repareren, maar wend u tot uw vertrouwde installateur.

• **Breng geen wijzigingen aan de installatie en de programmerings- en afstelparameters van de besturingseenheid aan: dit is de verantwoordelijkheid van uw installateur.**

• **Defect of stroomuitval:** in afwachting van de reparatie door uw installateur of tot de stroom terugkomt, kan de automatisering als de installatie geen bufferbatterij heeft toch worden gebruikt: de reductiemotor moet handmatig worden gedeblokkeerd (zie de bijbehorende handleiding). Beweeg de hekdeur met de hand naar wens.

• **Veiligheidsinrichtingen buiten gebruik:** u kunt de automatisering toch laten werken, ook als een veiligheidsinrichting het niet goed of helemaal niet doet. Het hek kan ook op de “dodemensstand” worden bestuurd, door als volgt te handelen:

01. Stuur een opdracht met een zender of een sleutelschakelaar, enz. om het hek in te schakelen. Als alles goed werkt, beweegt het hek zich regelmatig. Handel anders als volgt:
02. schakel de besturing binnen 3 seconden nogmaals in en houd ze ingeschakeld;
03. Na ongeveer 2 seconden verricht het hek de manoeuvre die op de “dodemensstand” gevraagd is en d.w.z. dat het hek zich alleen blijft bewegen, zolang de besturing ingeschakeld wordt gehouden.

BELANGRIJK! – Als de veiligheidsinrichtingen buiten gebruik zijn, wordt aangeraden ze zo gauw mogelijk door een vakman te laten repareren.

• De test, het periodieke onderhoud en de eventuele reparaties moeten worden gedocumenteerd door degene die het werk verricht. De papieren moeten door de eigenaar van de installatie worden bewaard. De enige ingrepen die de gebruiker periodiek kan verrichten, zijn het schoonmaken van het glas van de fotocellen (gebruik een zachte, lichtelijk vochtige doek) en het verwijderen van eventuele bladeren of stenen, die het automatische systeem kunnen belemmeren. **Belangrijk** – Voordat u begint, deblokkeert u de reductiemotor handmatig (zie de bijbehorende handleiding) om te voorkomen dat iemand het hek per ongeluk in werking kan stellen.

• **Onderhoud:** om het veiligheidsniveau constant te houden en een maximale levensduur van de hele automatisering te garanderen, is regelmatig onderhoud nodig (minstens om de 6 maanden).

Alle controles, onderhoud, of reparaties mogen alleen door vakmensen worden verricht.

• **Afdanken:** aan het einde van het leven van de automatisering moet u zich ervan verzekeren, dat de ontmanteling door vakmensen wordt verricht en dat de materialen volgens de geldende lokale voorschriften worden gerecycled of afgedankt.

• **Als de automatisering met de bediening “Automatisering blokkeren” is geblokkeerd:** na een opdracht te hebben verstuurd, beweegt het hek zich niet en knippert het knipperlicht 9 keer kort.

DE REDUCTIEMOTOR HANDMATIG DEBLOKKEREN EN BLOKKEREN

De reductiemotor is voorzien van een mechanisch systeem, waarmee het hek met de hand kan worden geopend en gesloten.

Deze handmatige handelingen moeten worden verricht als de stroom is uitgevallen en bij storingen in de werking.

Opmerking - Om het hek te verplaatsen als de stroom is uitgevallen, kan ook gebruik gemaakt worden van de energie van de bufferbatterij (mod. PS424), als deze zich in de installatie bevindt.

Deblokkeren (fig. A):

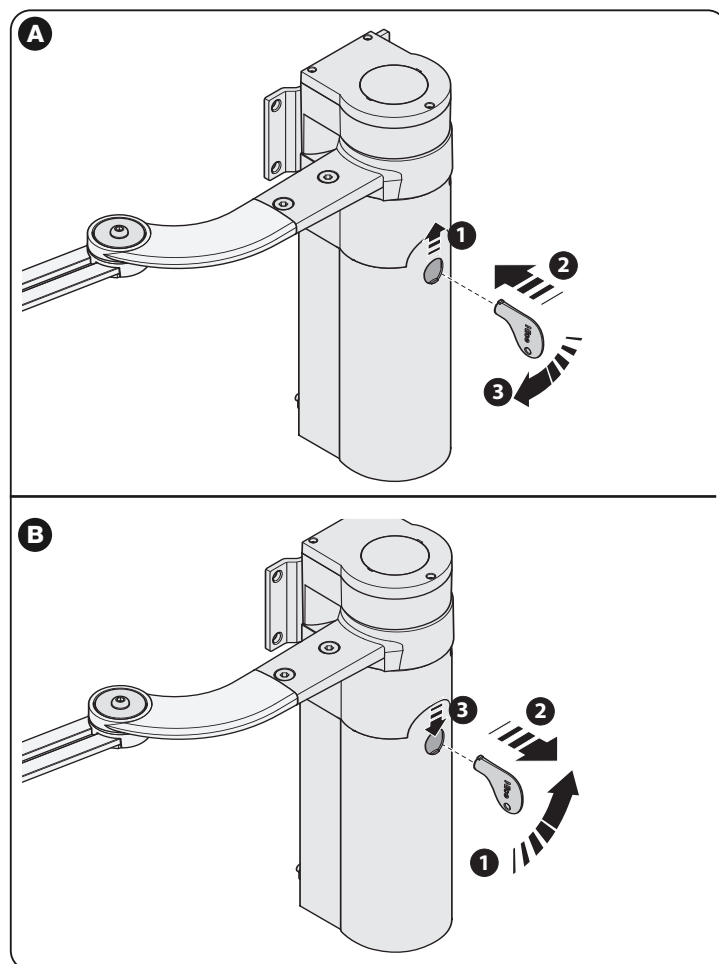
01. Open het klepje;
02. Steek de sleutel in de hiervoor bestemde deblokkeerpin;
03. Draai de deblokkeersleutel bijna een hele slag met de klok mee.
04. Nu kan de hekdeur met de hand op de gewenste stand worden gezet.

Blokkeren (fig. B):

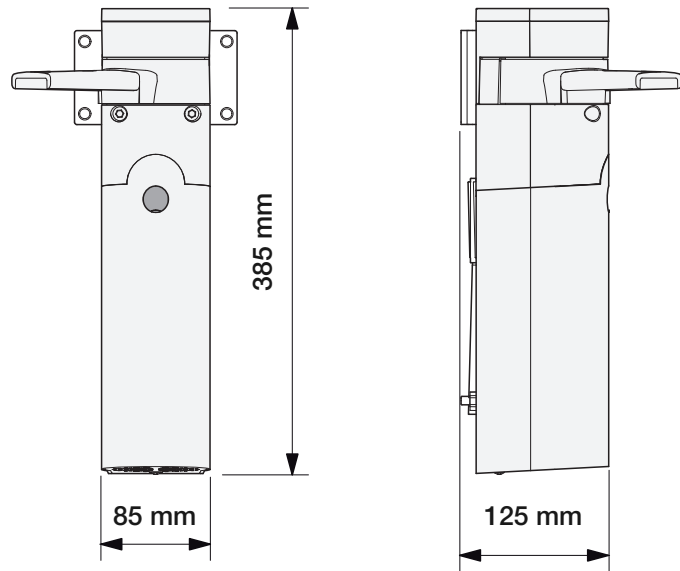
Opmerking – Als gevolg van de elasticiteit van de hekdeur kan het mogelijk zijn, dat de hekdeur niet op dezelfde stand kan worden geblokkeerd na de deur op de gesloten stand te hebben gedeblokkeerd.

01. Draai de sleutel op de deblokkeerpin tegen de klok in en verplaats het hek met de hand tot u het mechanische geluid hoort, dat wil zeggen dat het hek aan het aandrijfmechanisme is gekoppeld.

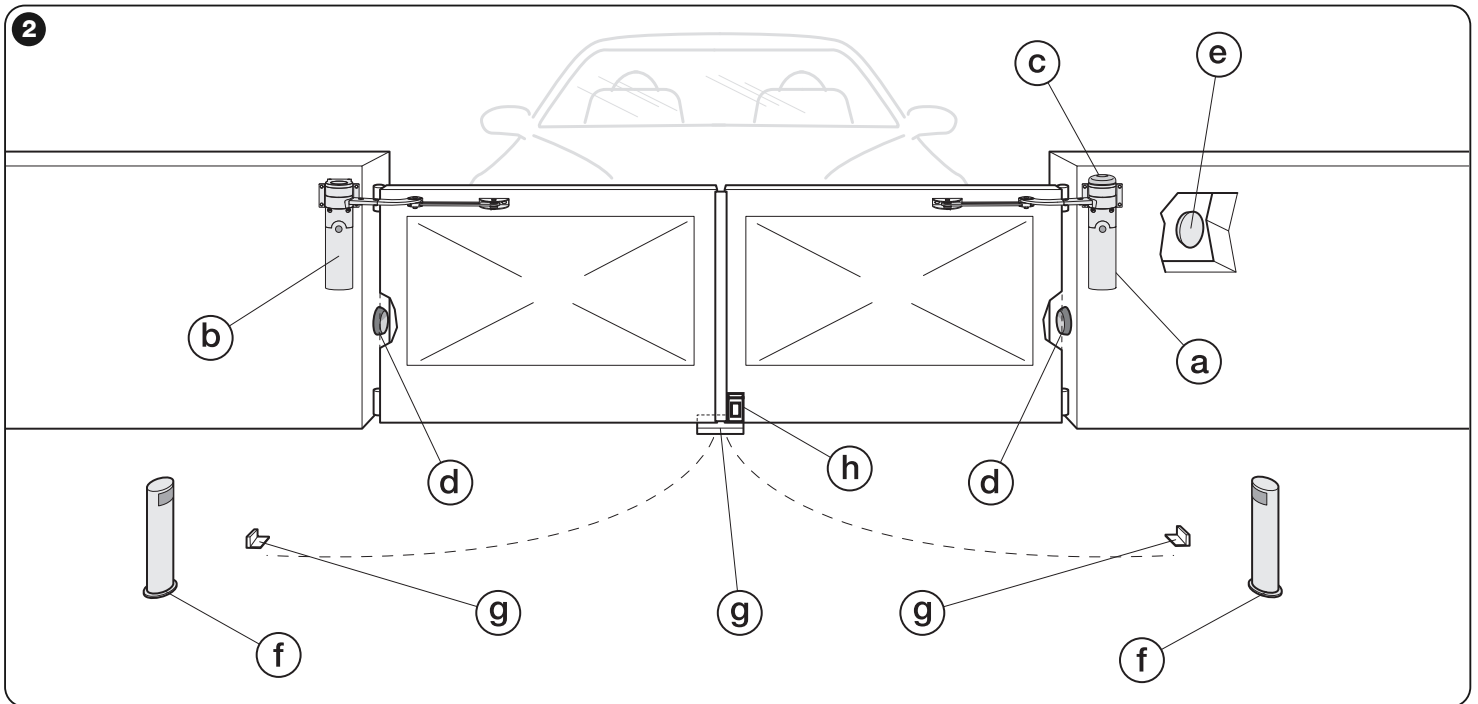
02. Neem de sleutel uit de pin en zet het klepje weer terug.



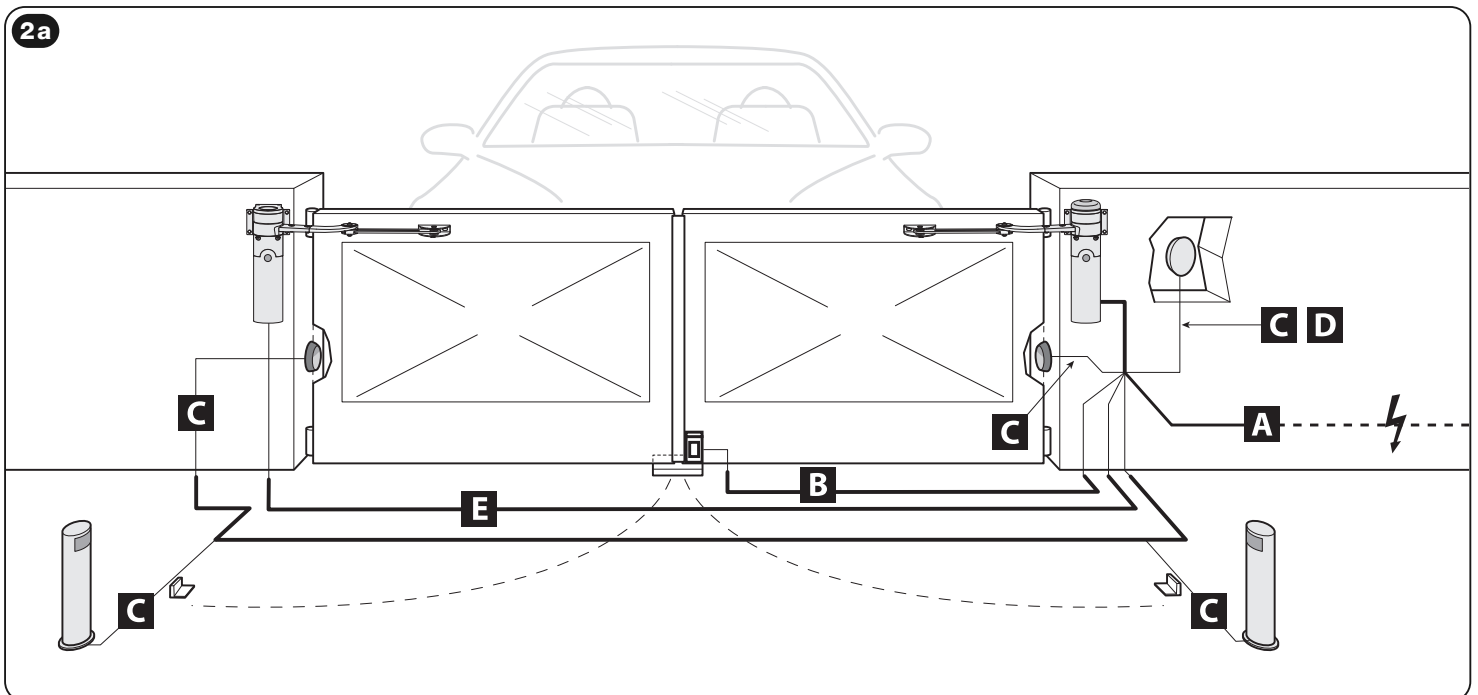
1

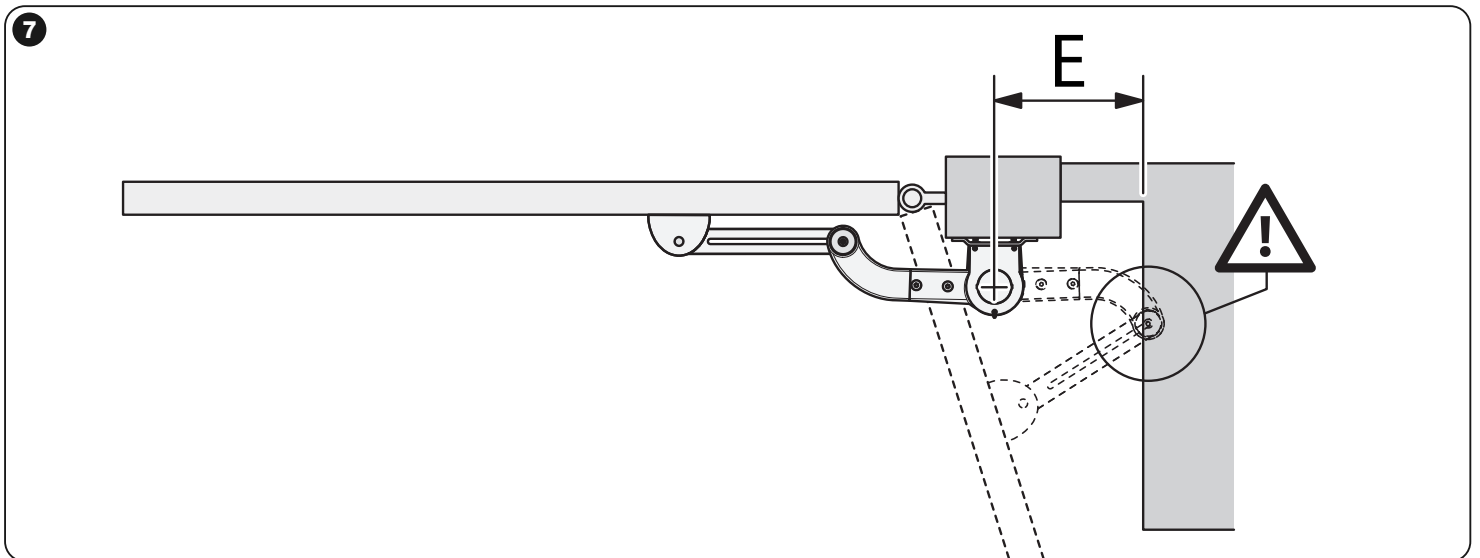
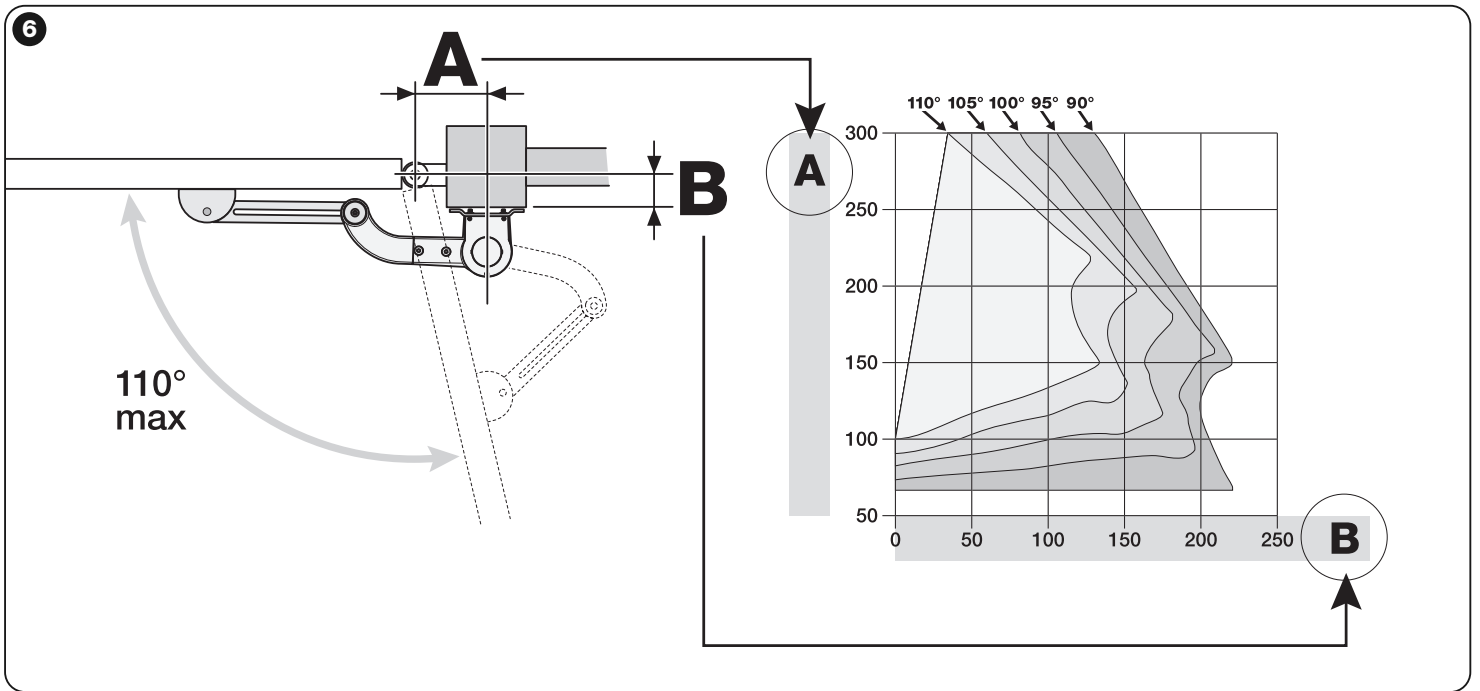
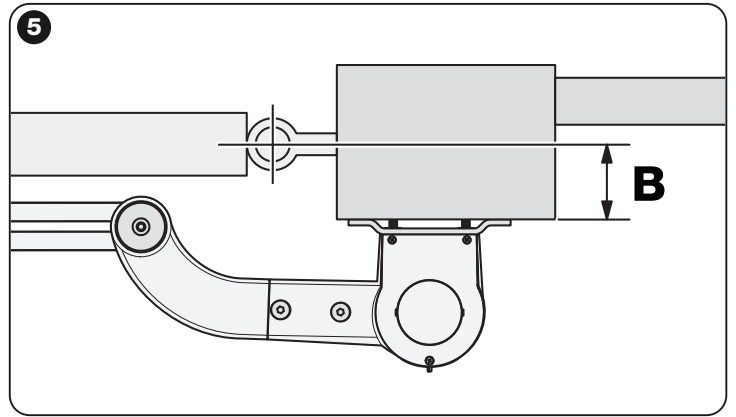
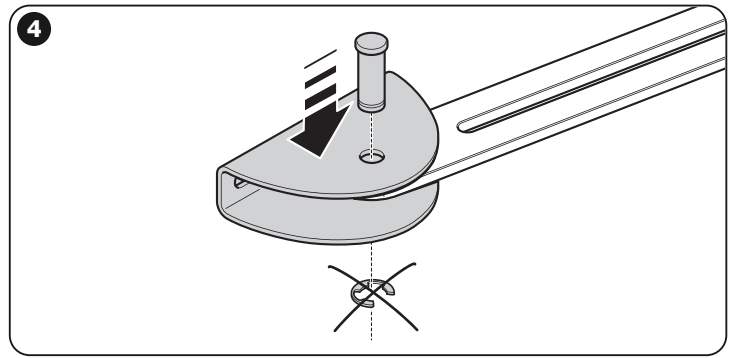
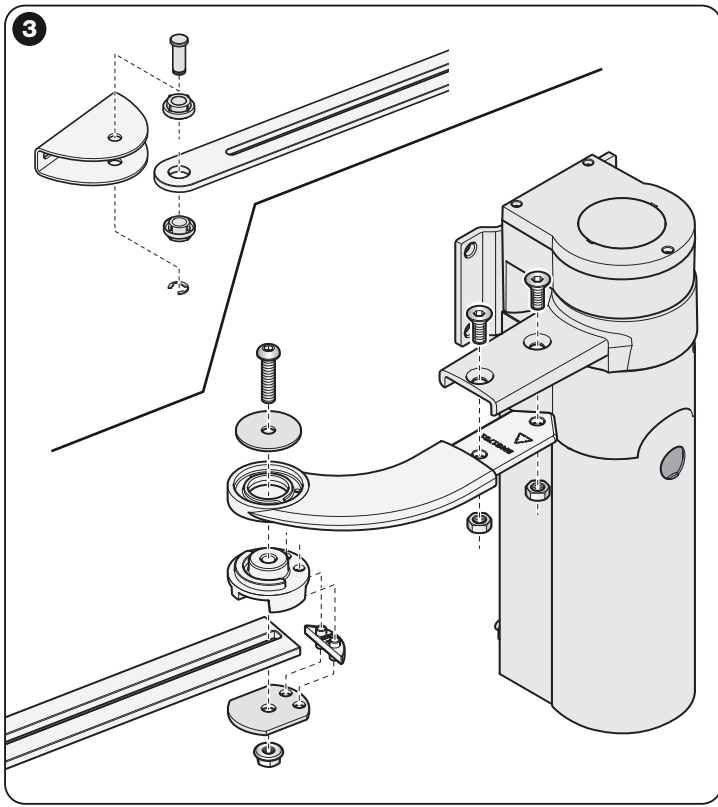


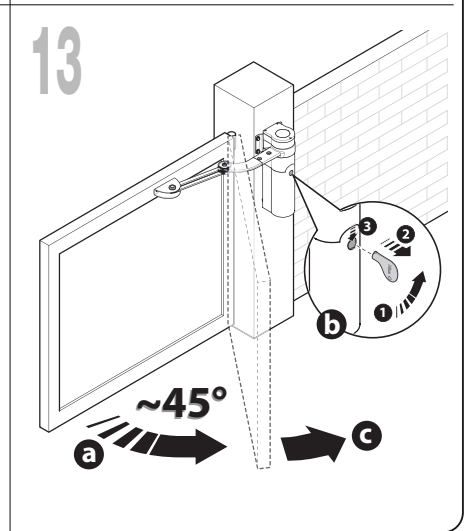
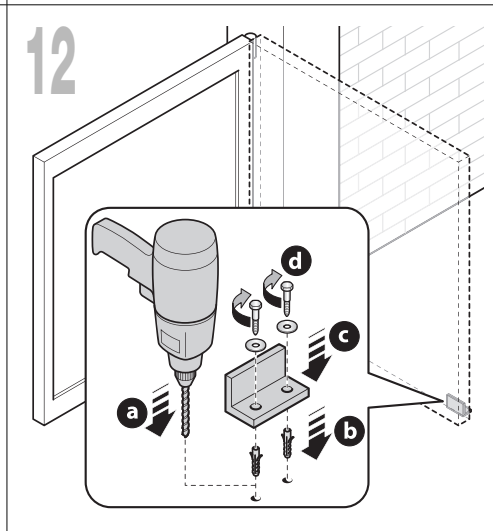
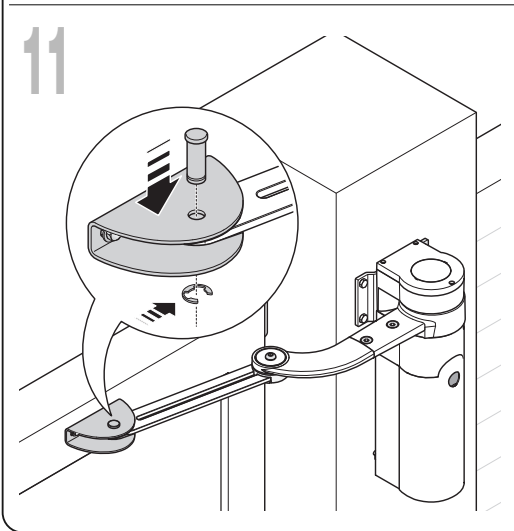
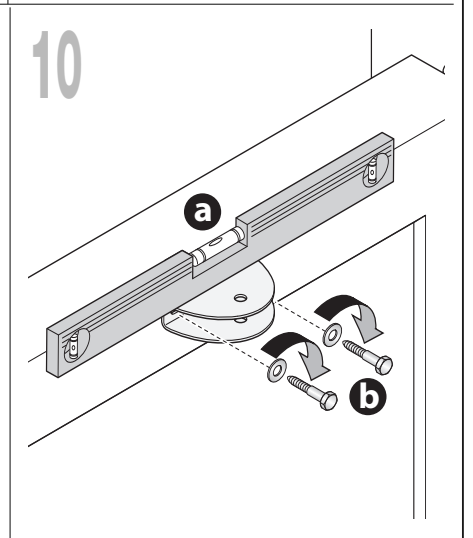
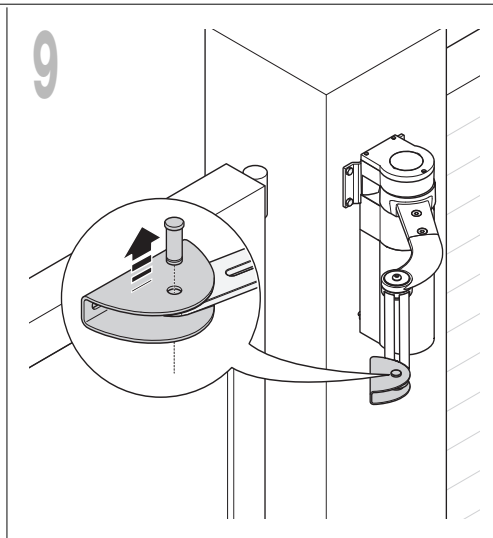
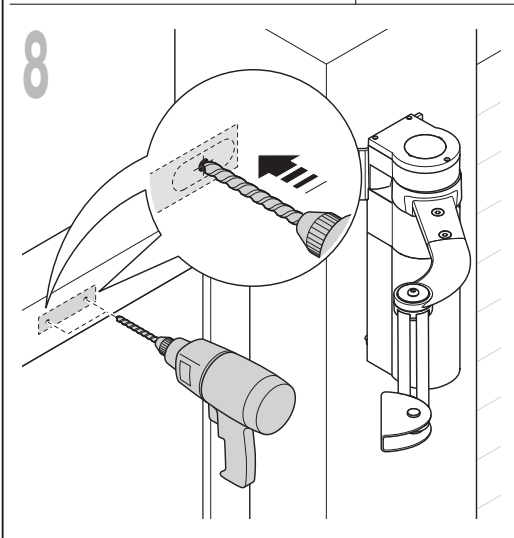
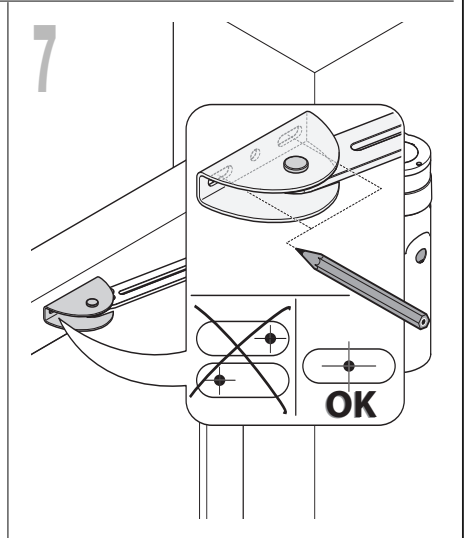
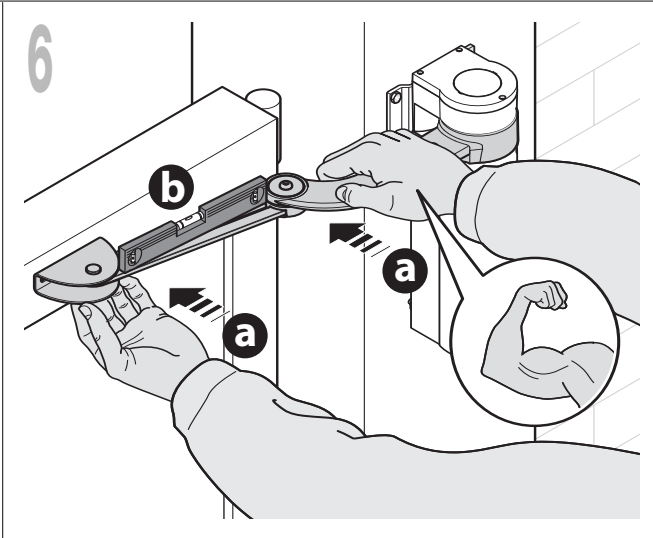
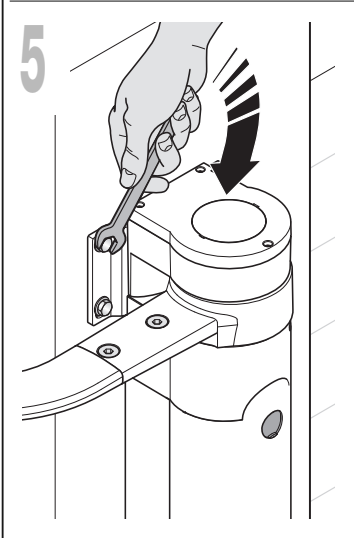
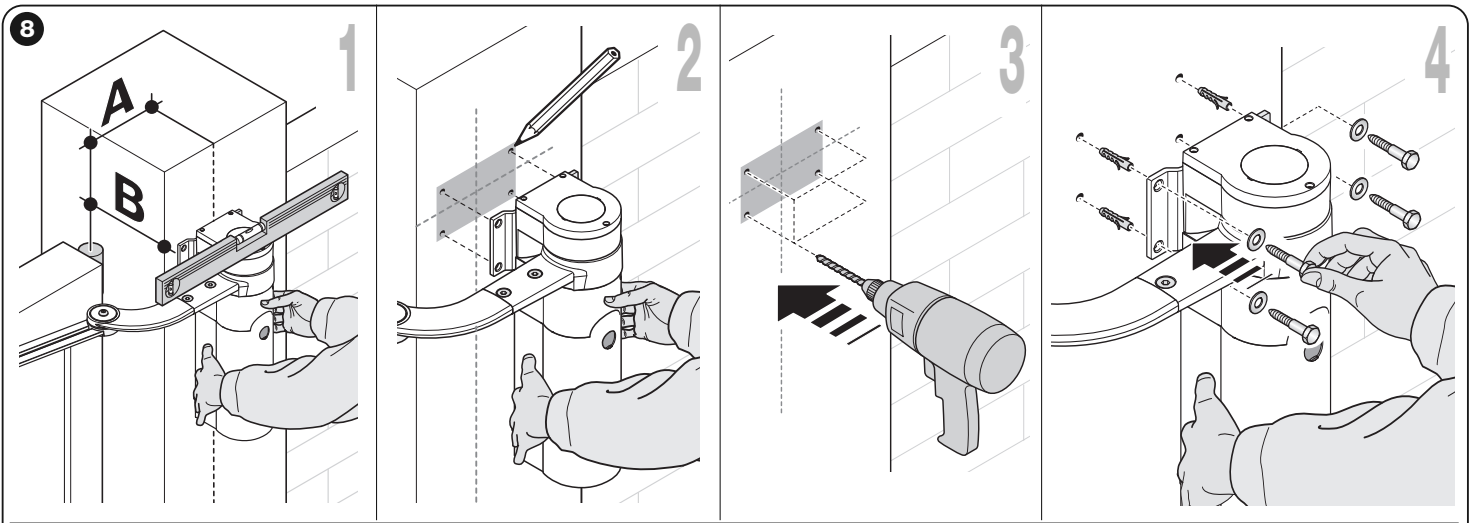
2

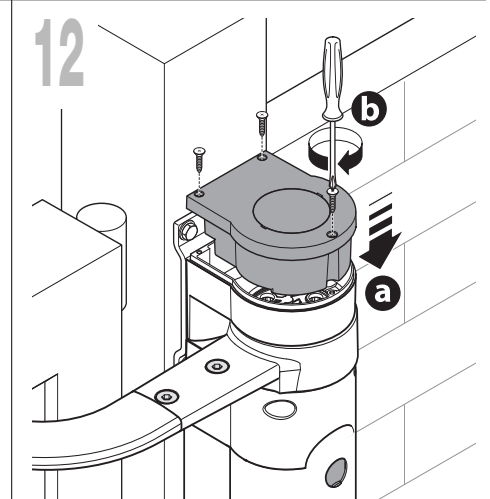
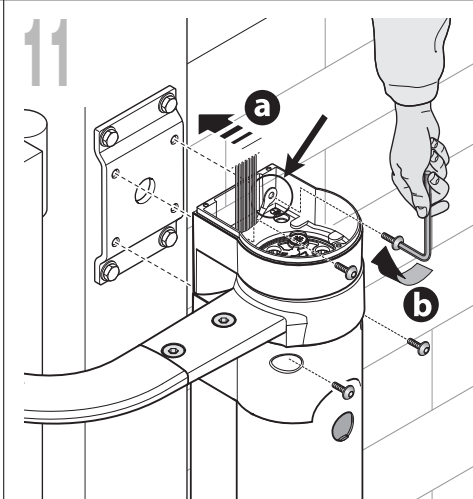
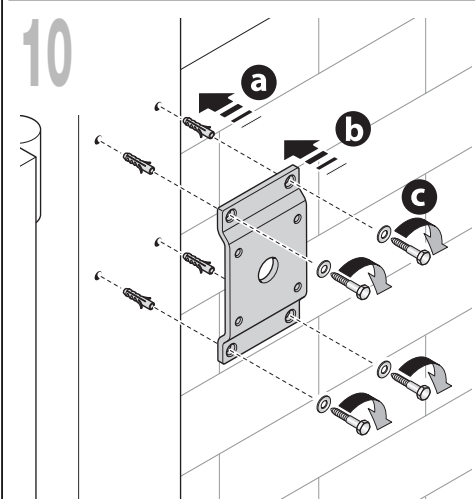
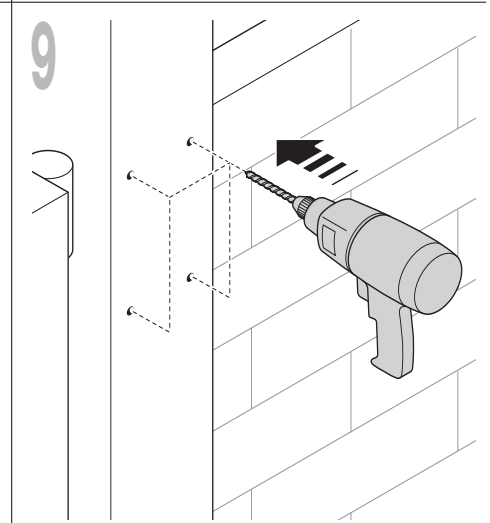
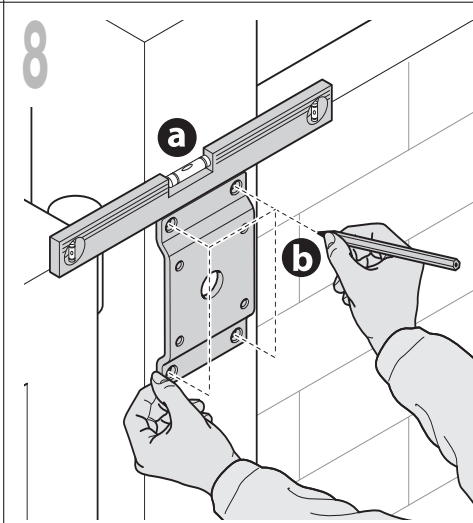
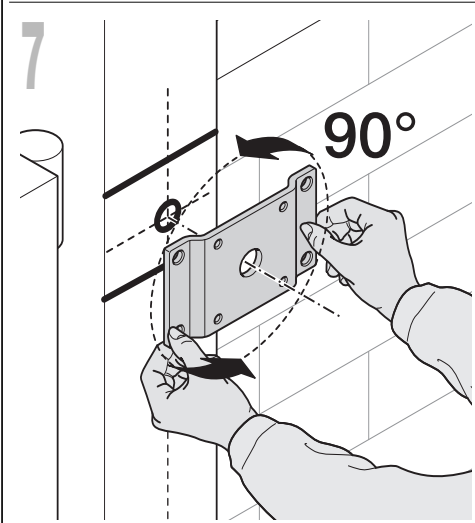
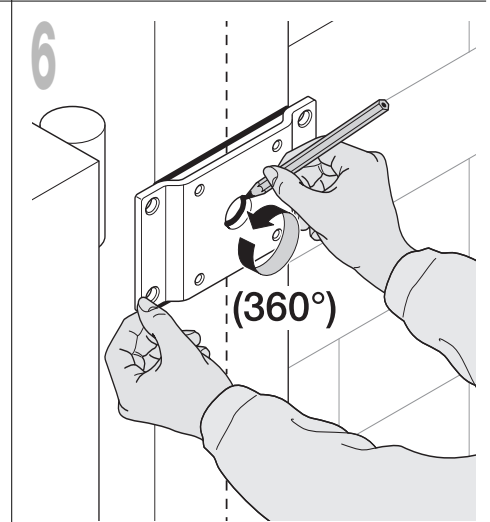
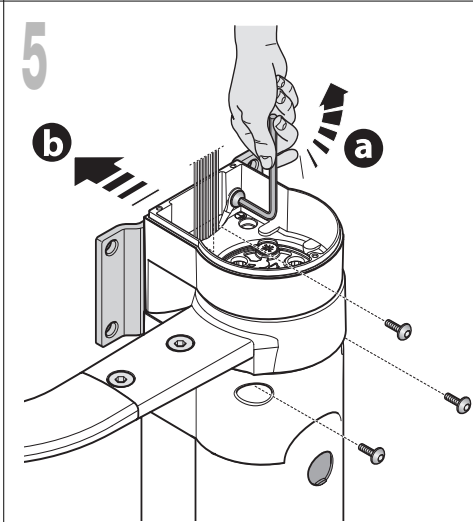
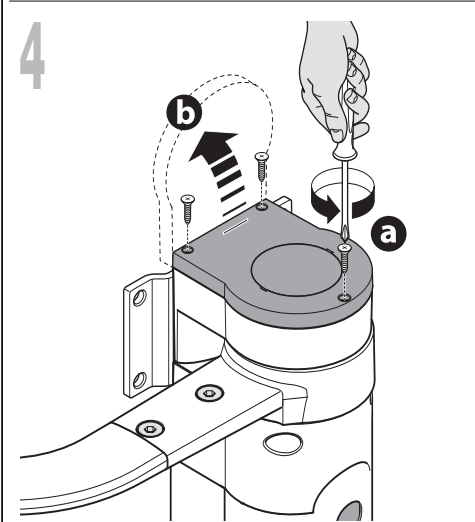
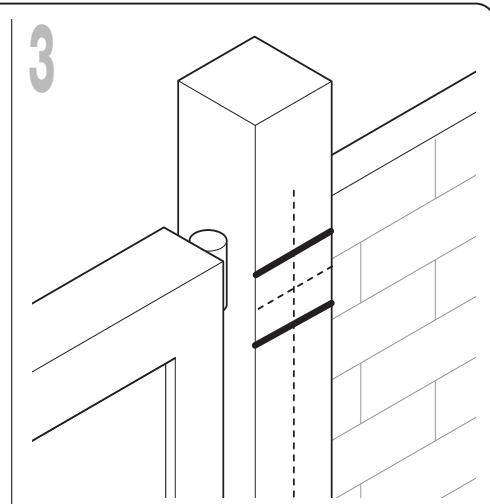
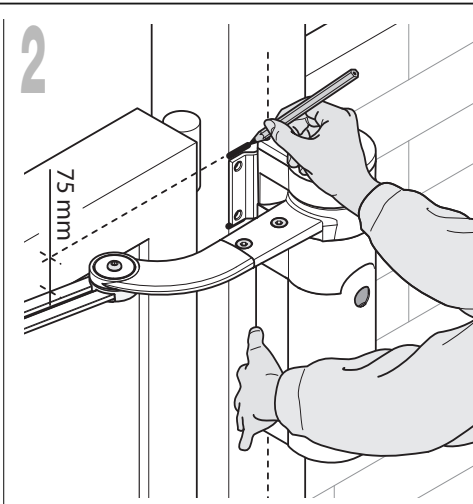
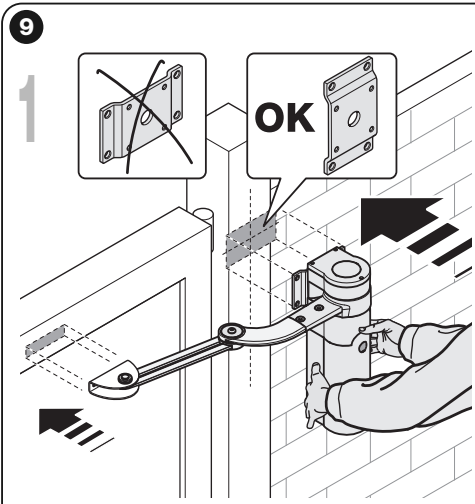


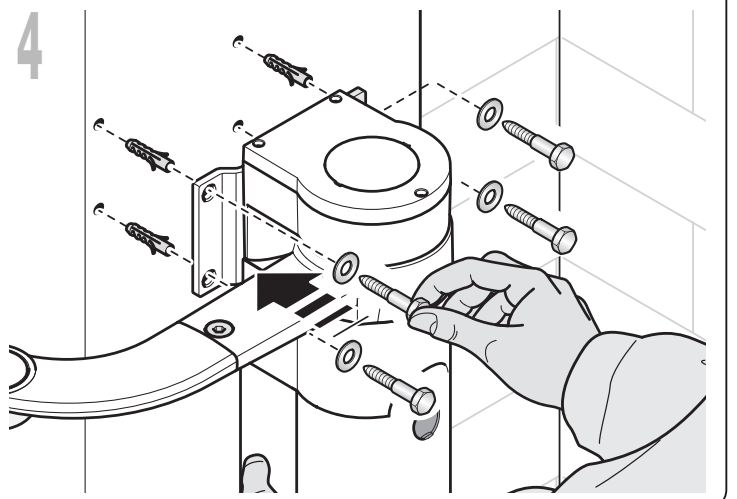
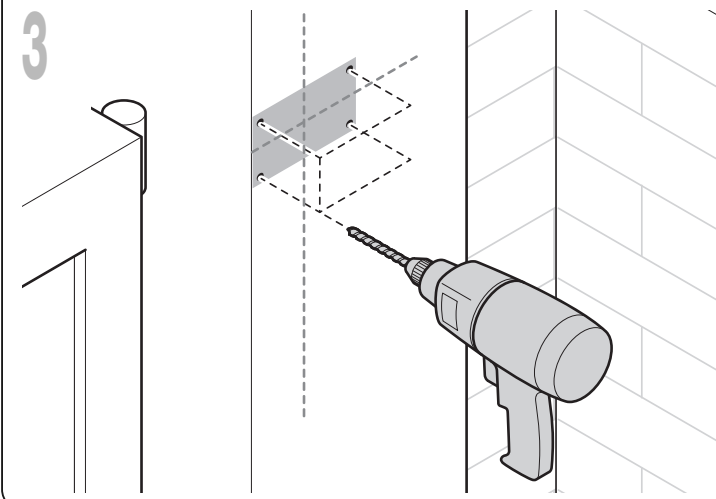
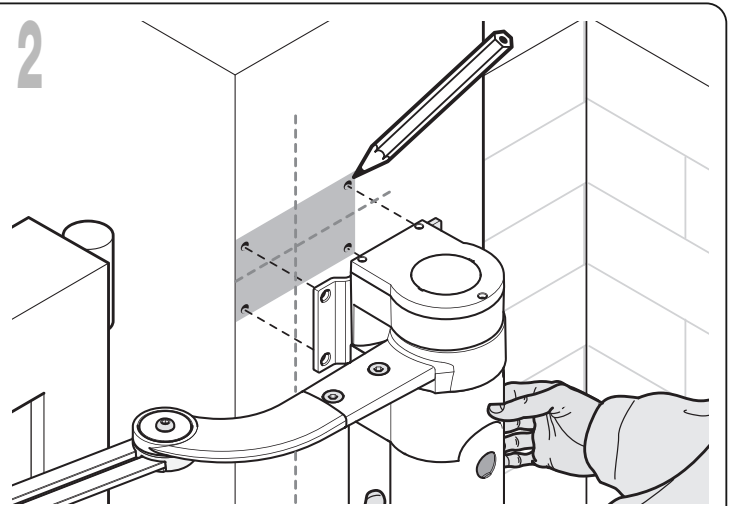
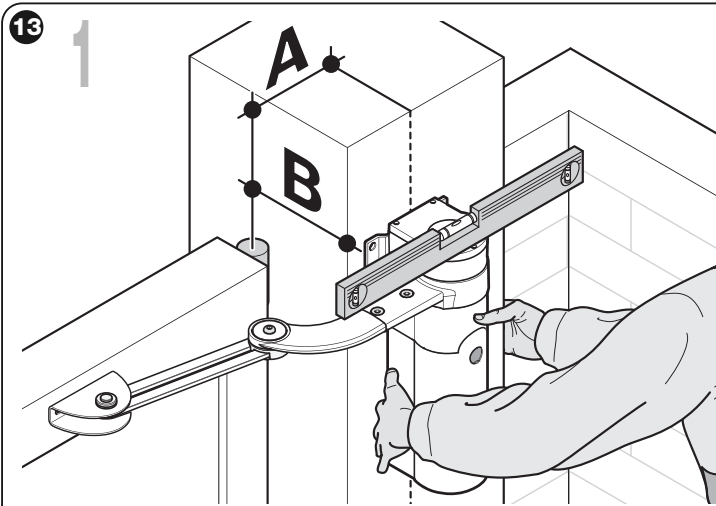
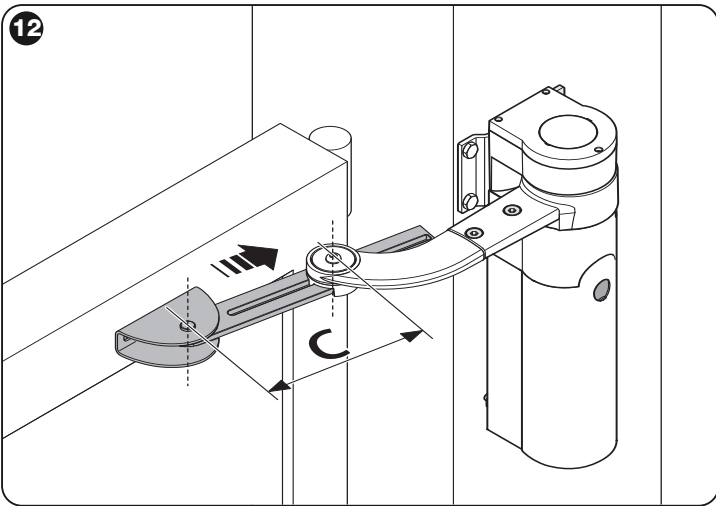
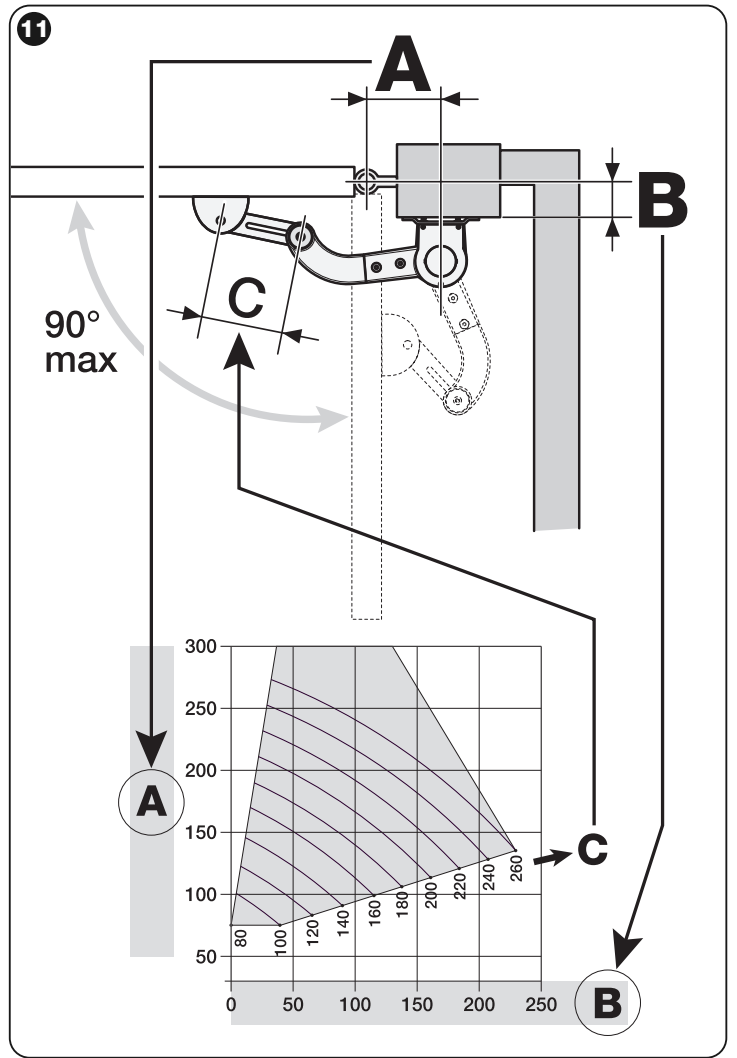
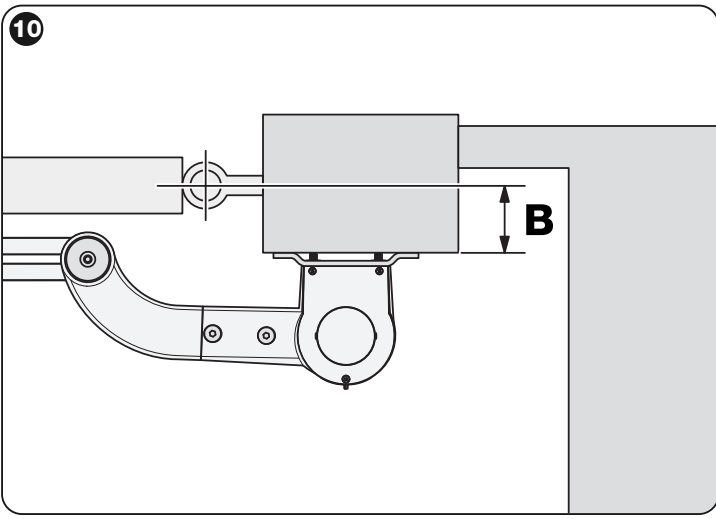
2a

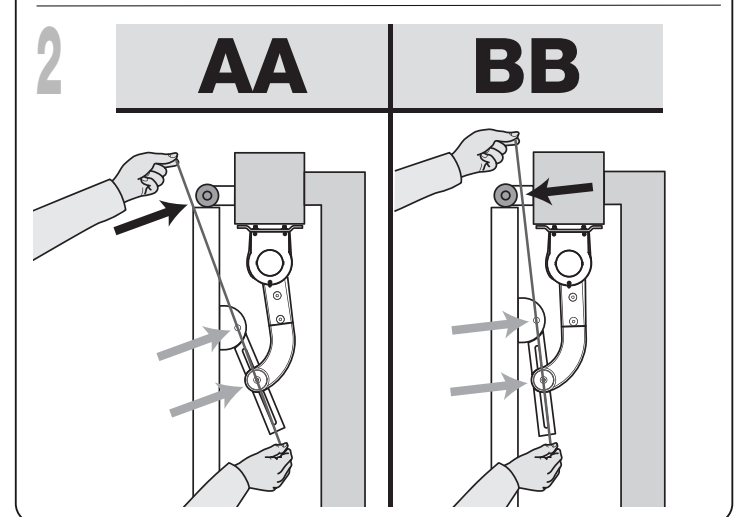
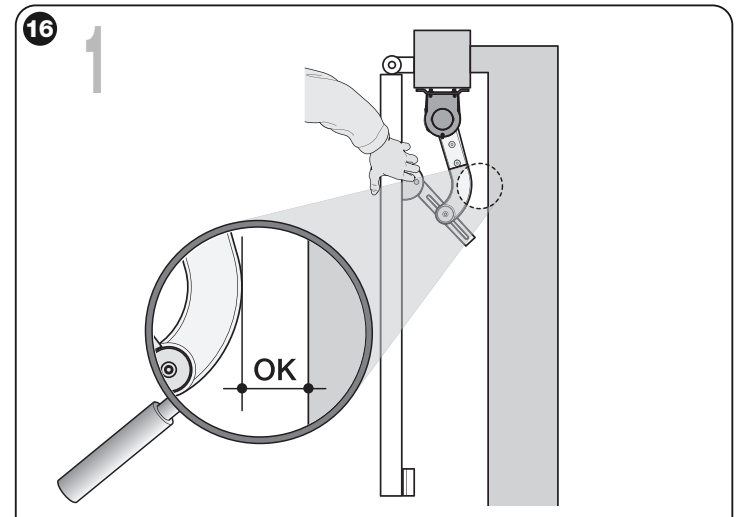
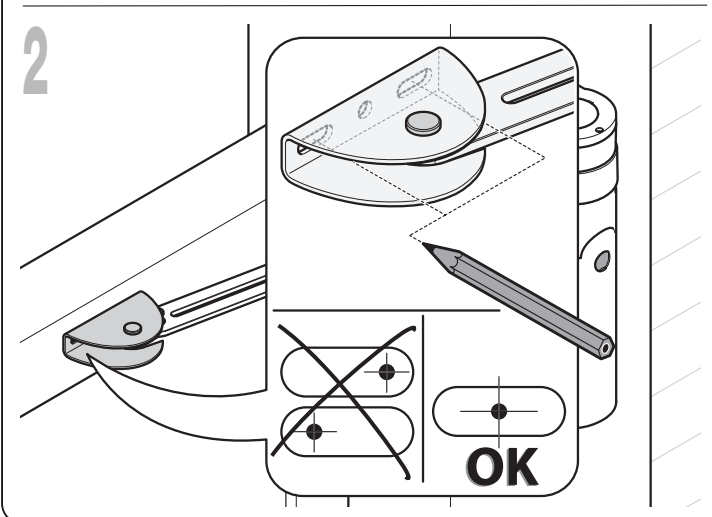
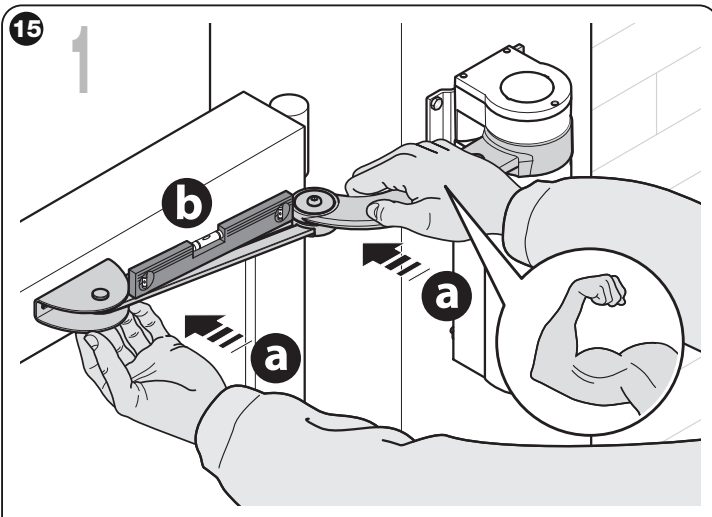
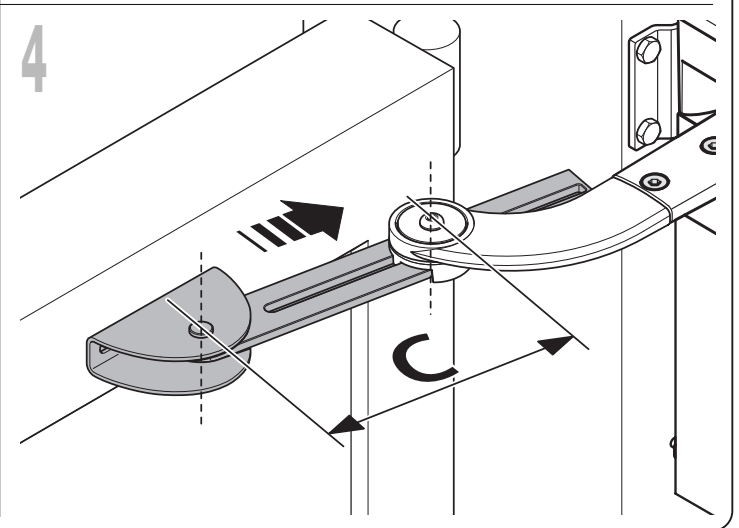
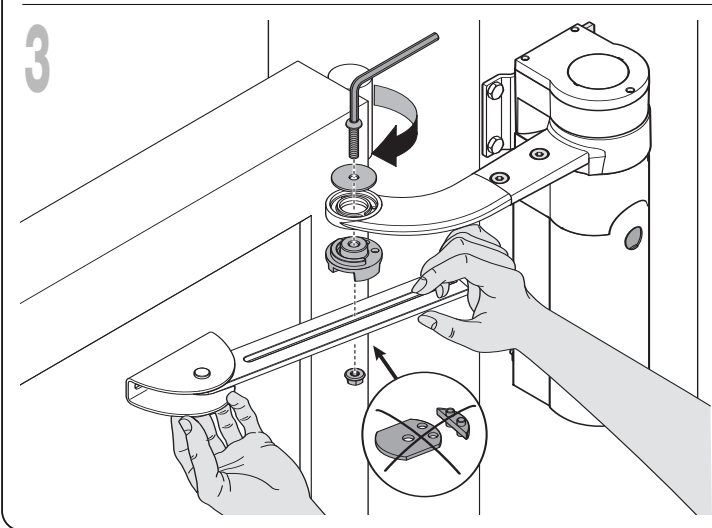
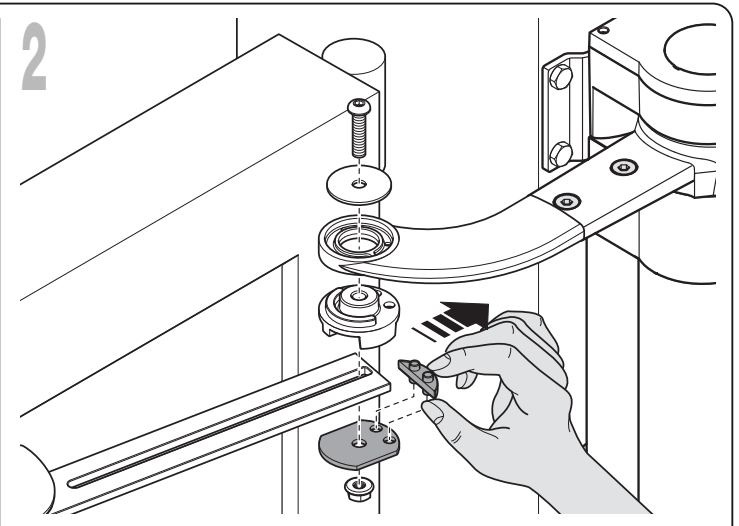
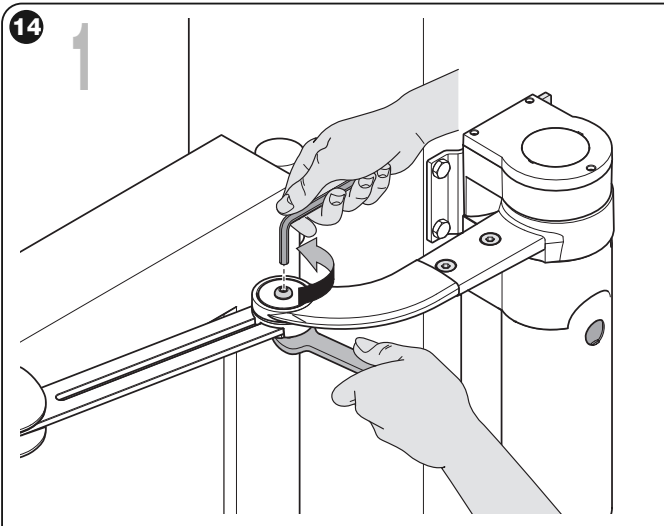


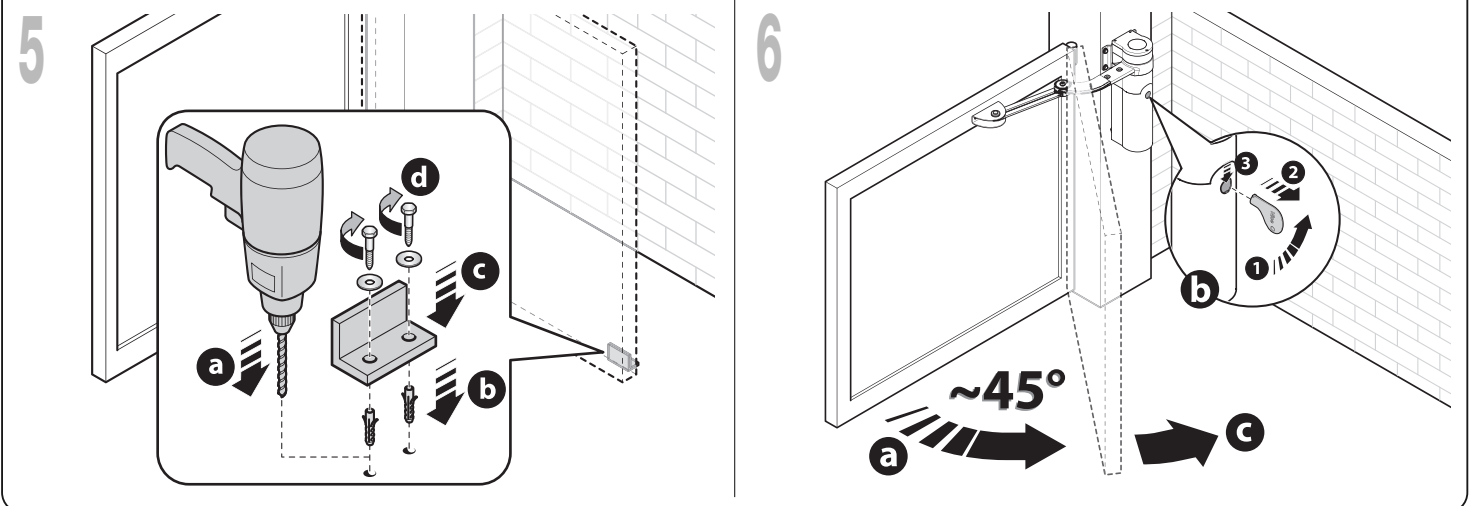
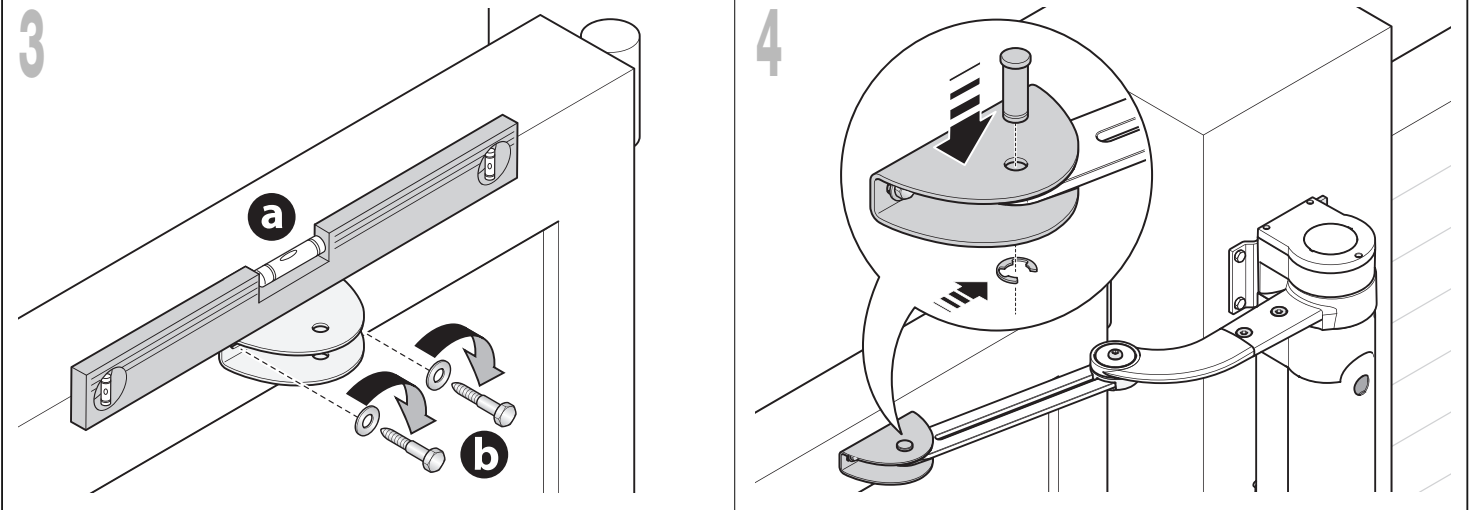
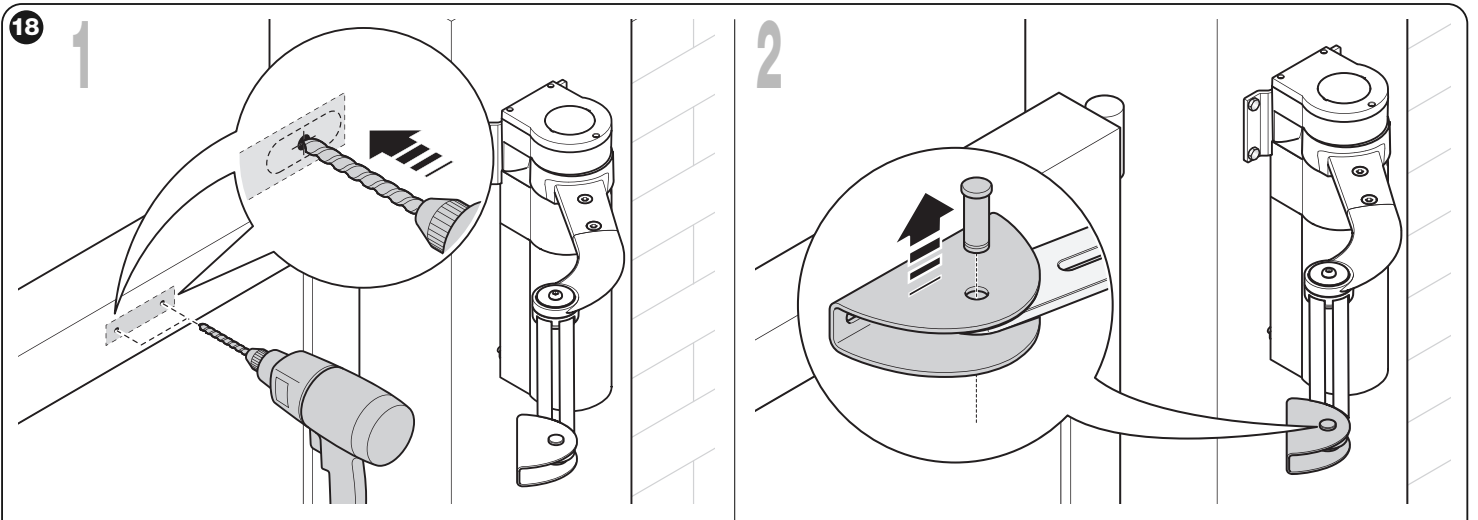
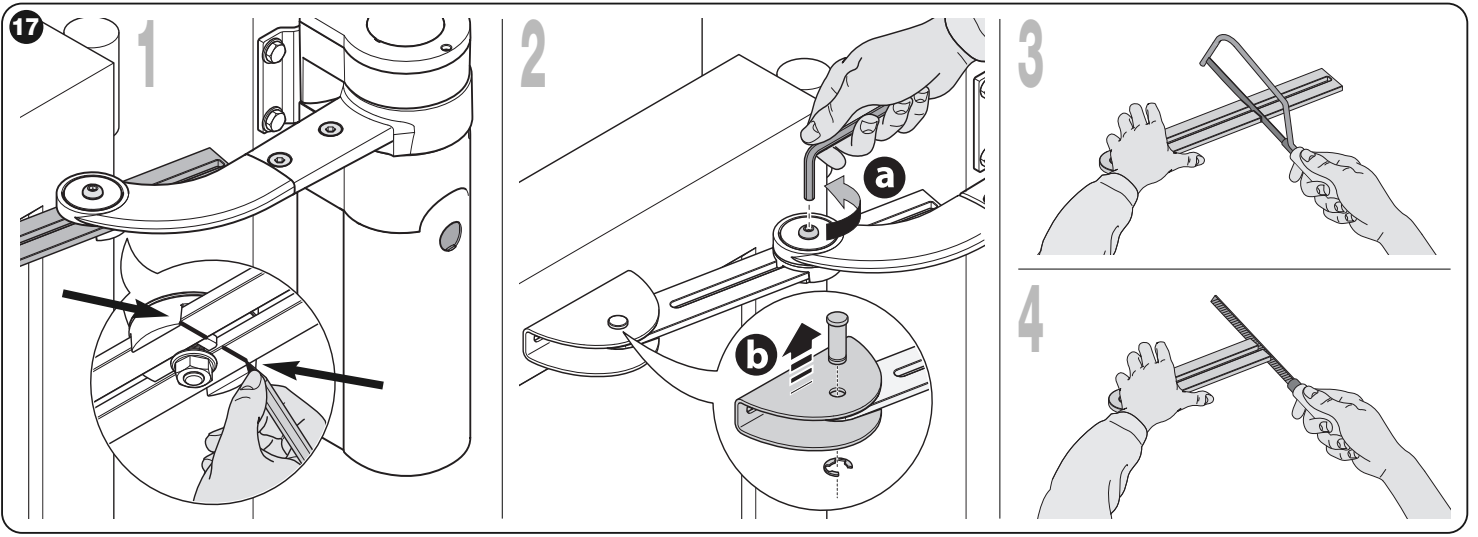


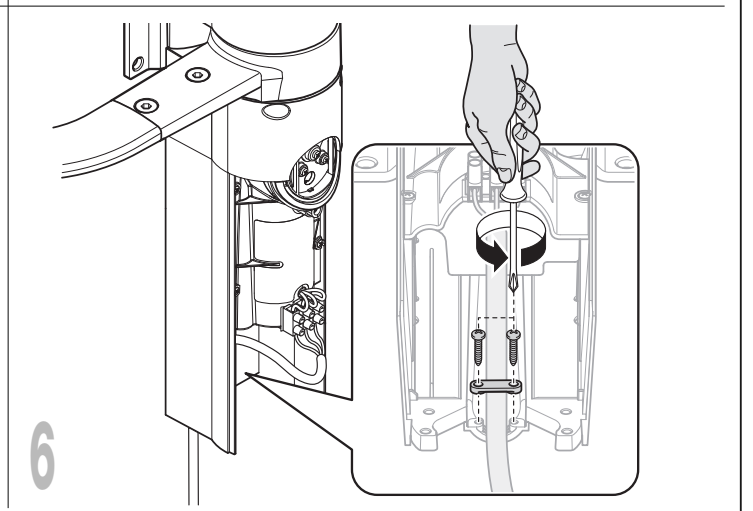
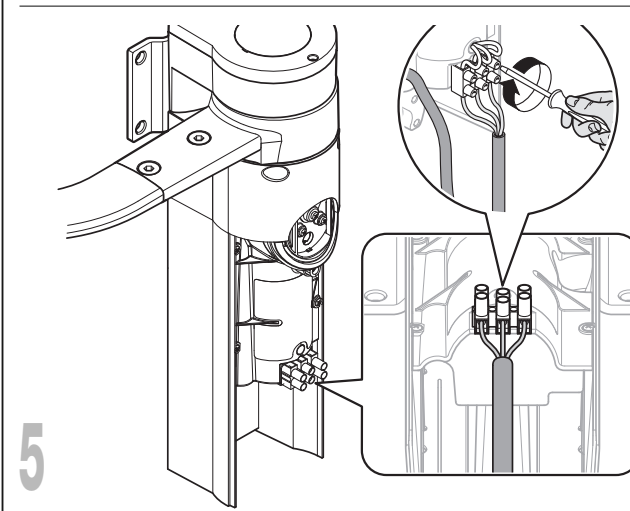
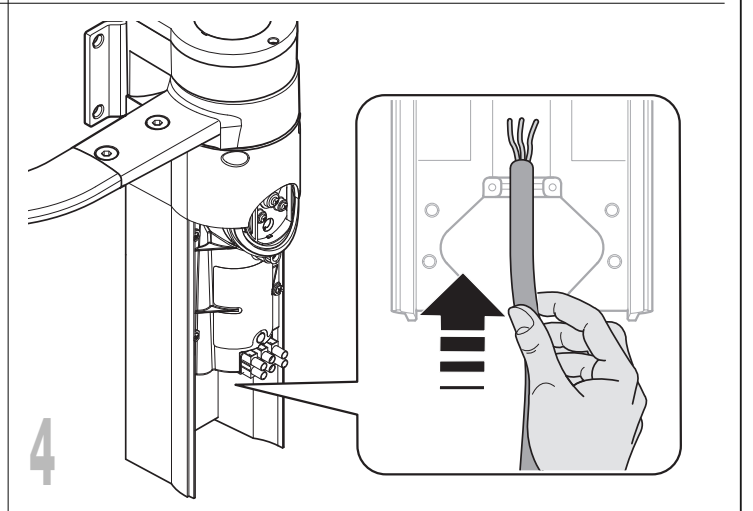
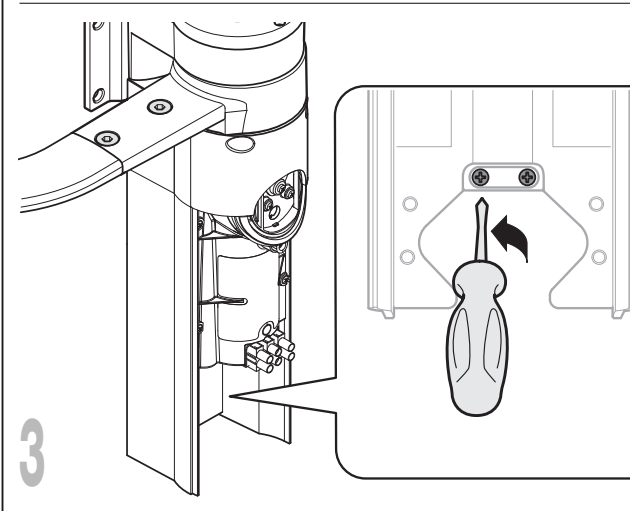
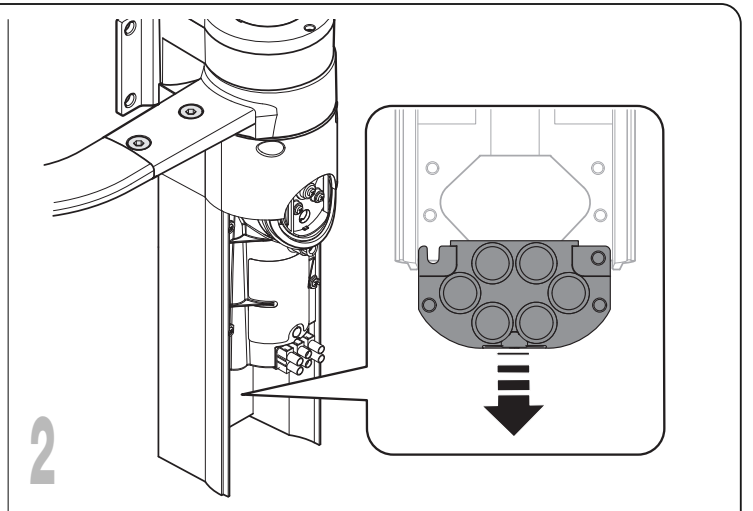
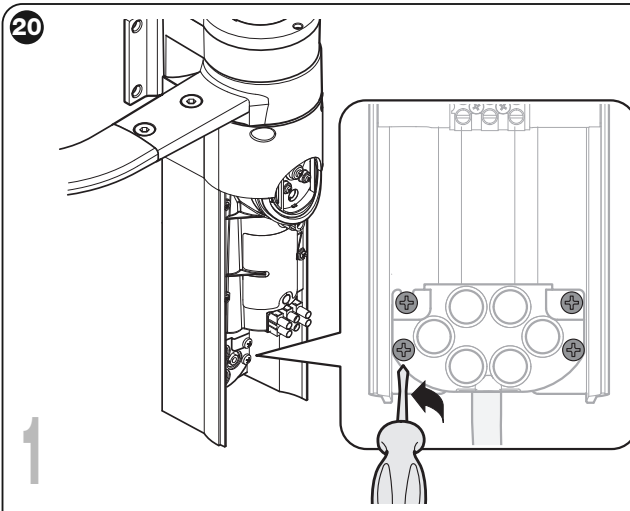
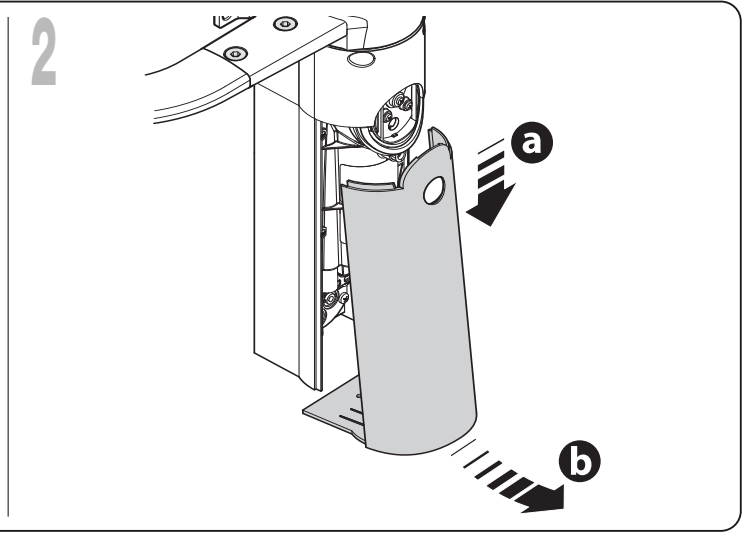
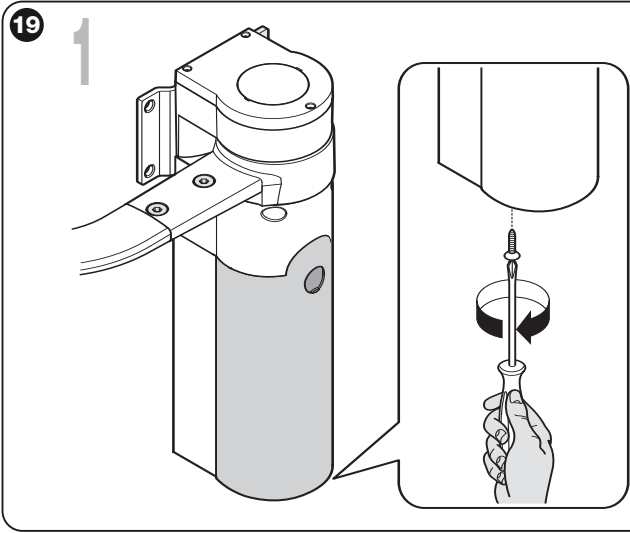




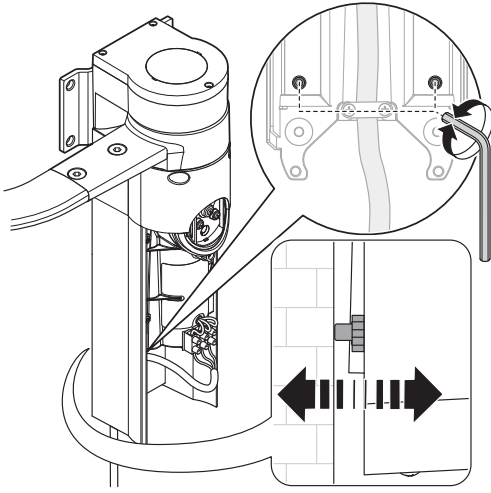




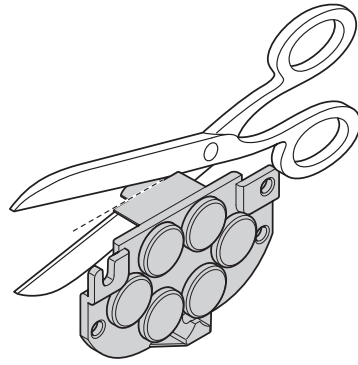




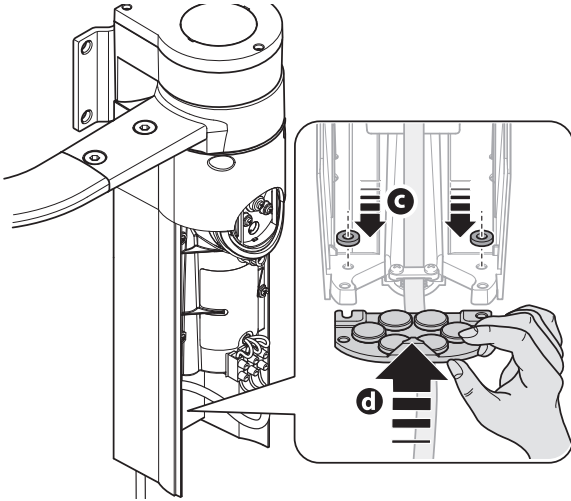
7



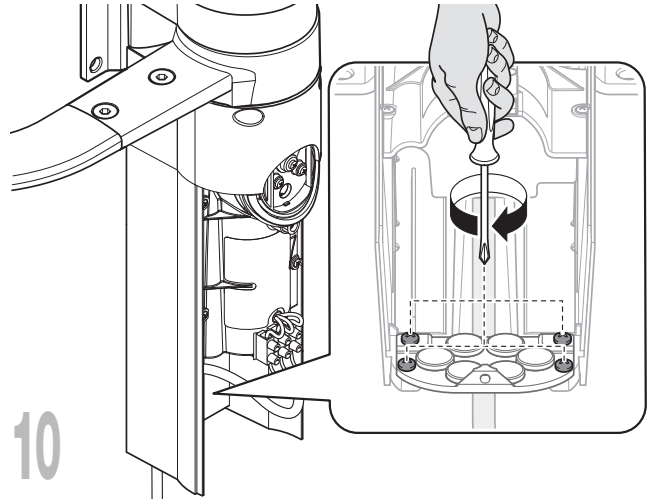
8



9

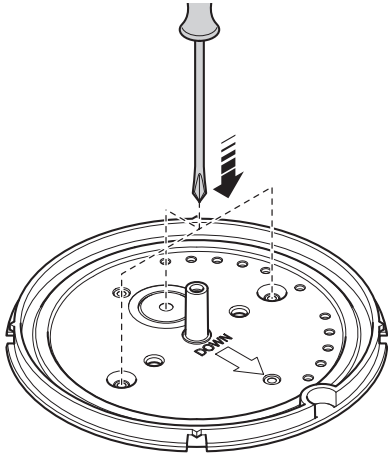


10

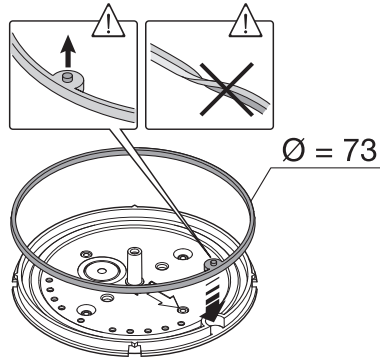


21

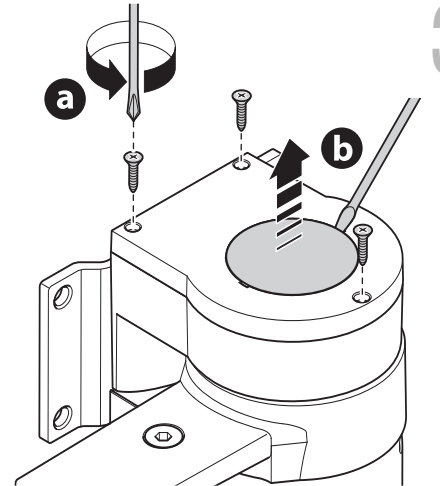
1



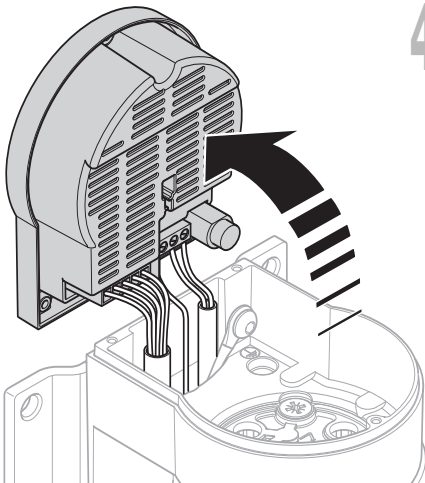
2



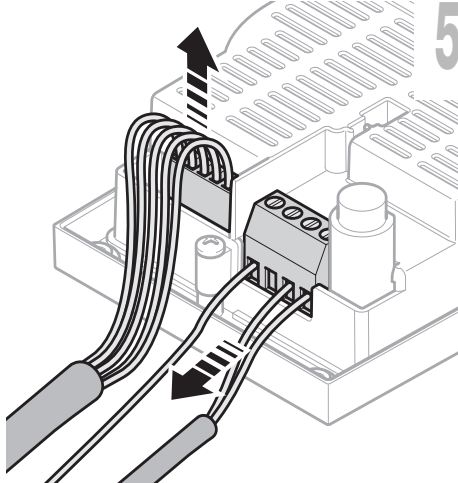
3



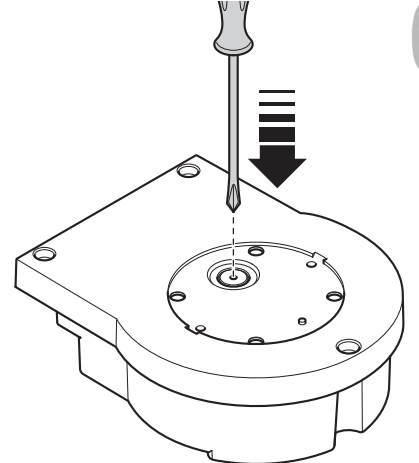
4

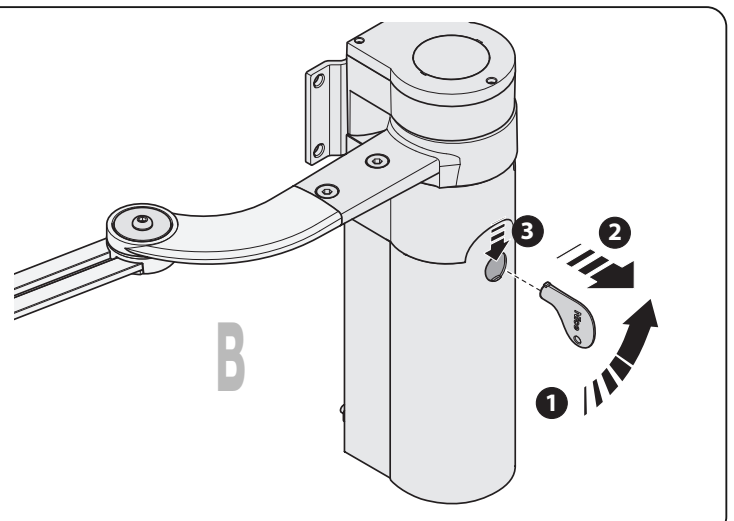
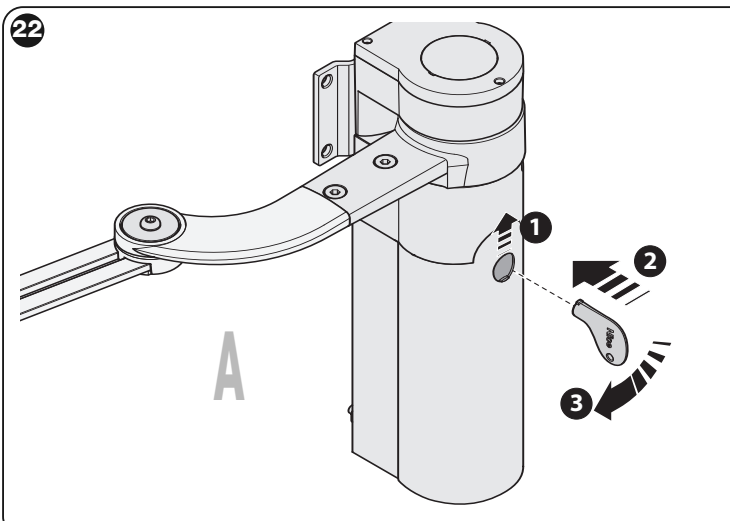
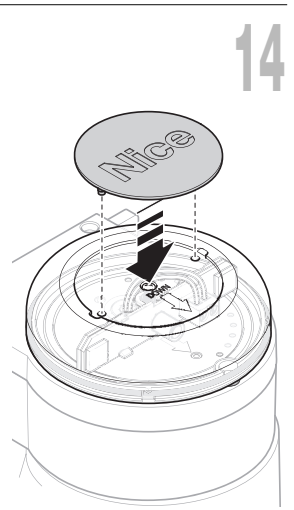
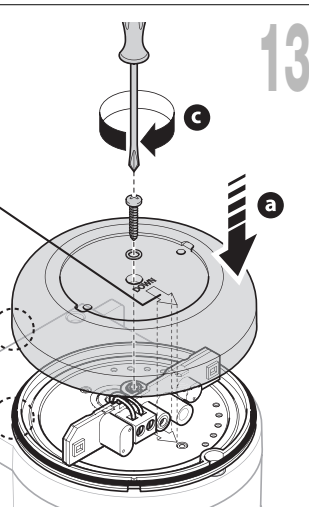
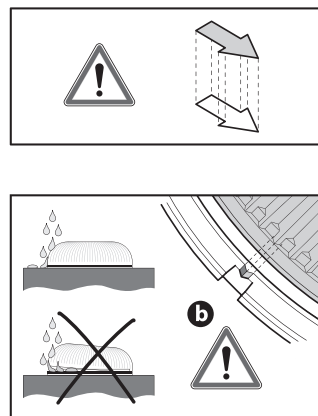
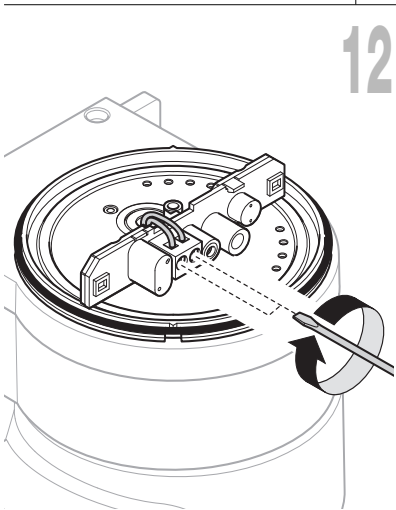
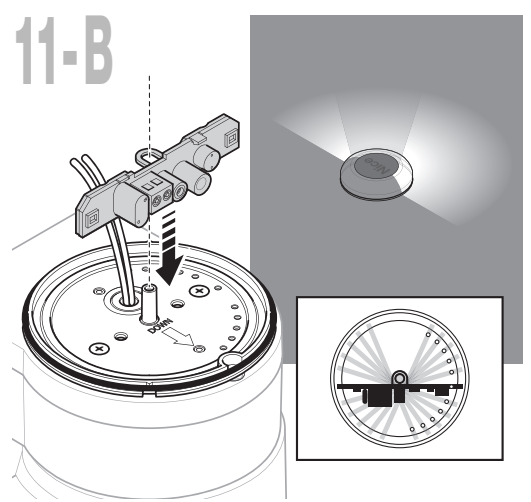
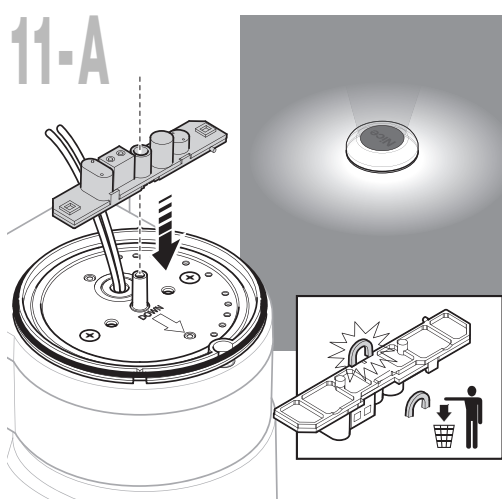
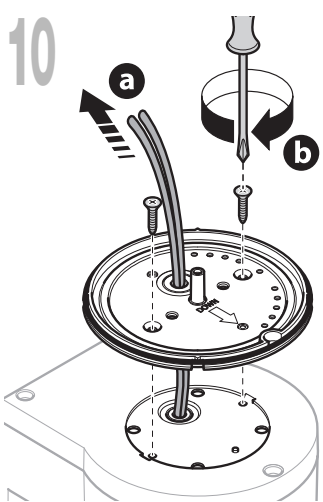
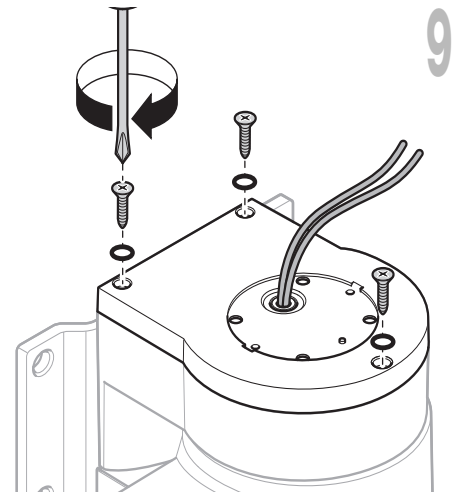
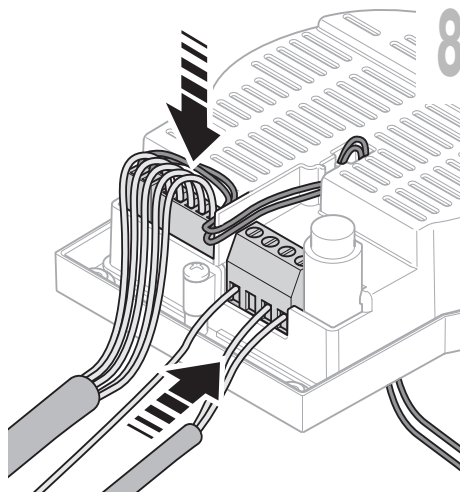
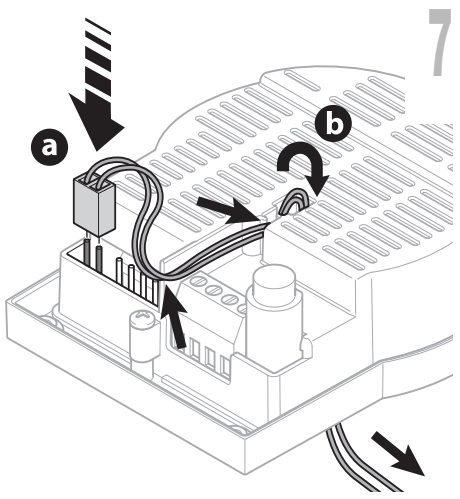


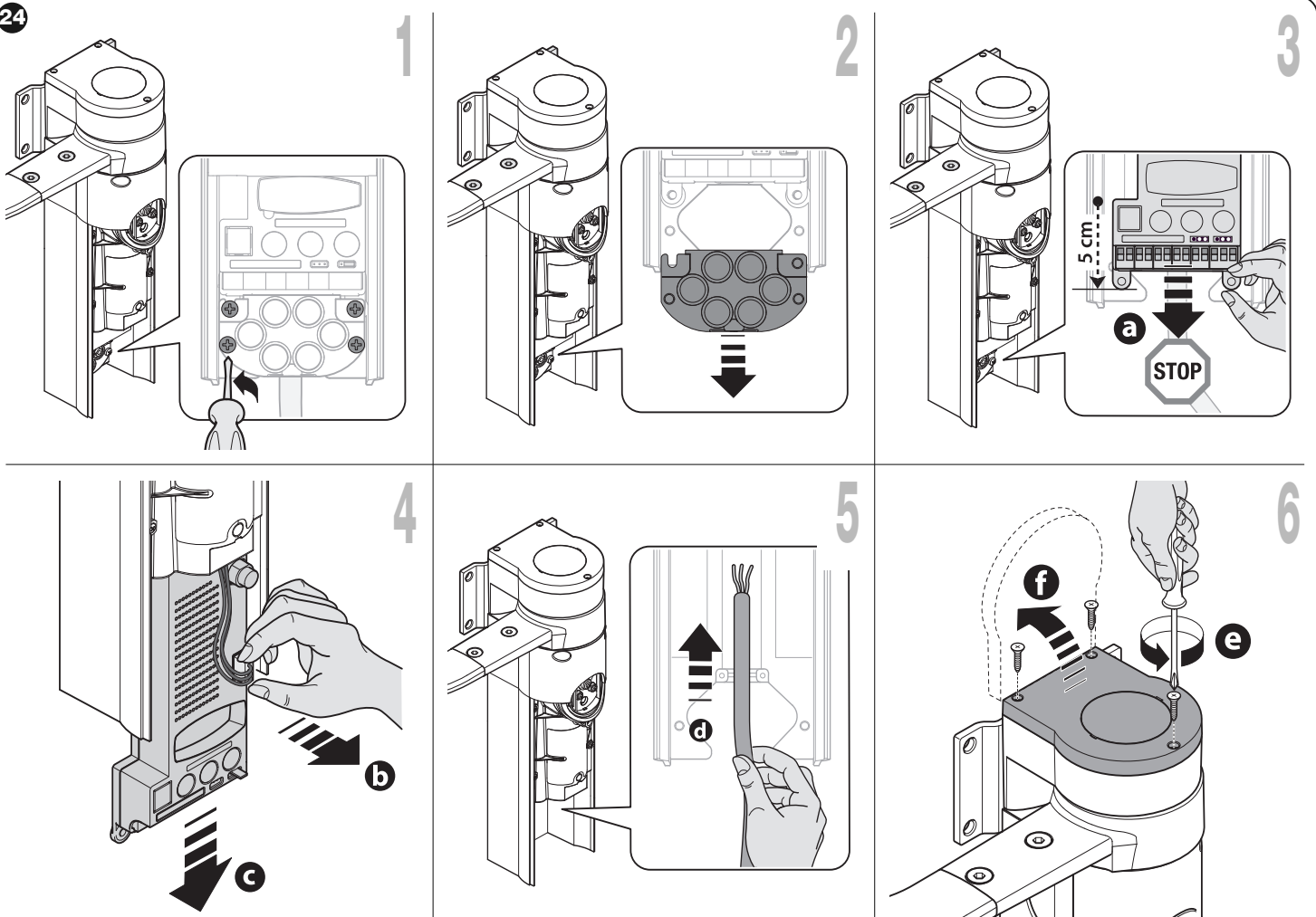
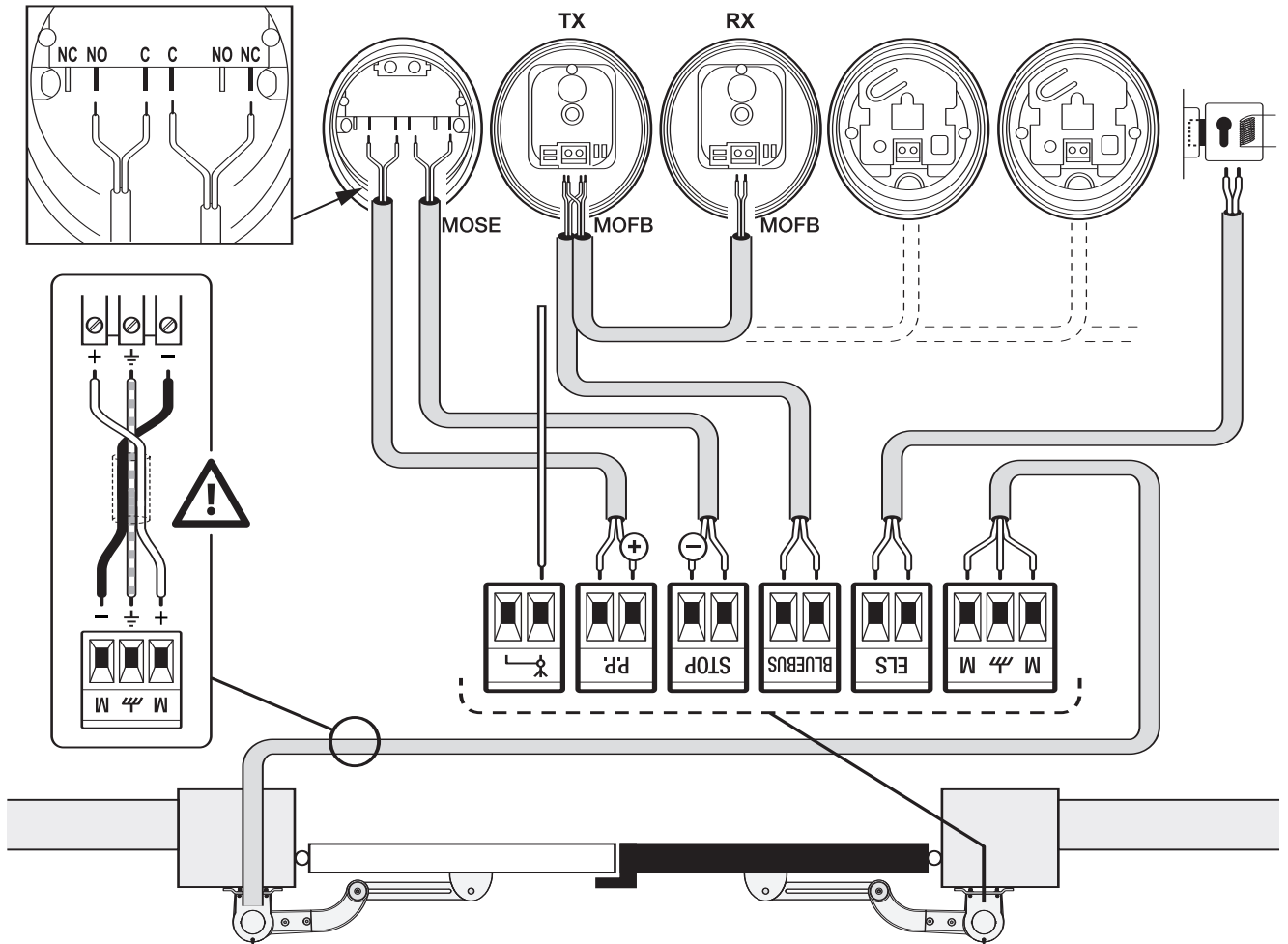
5

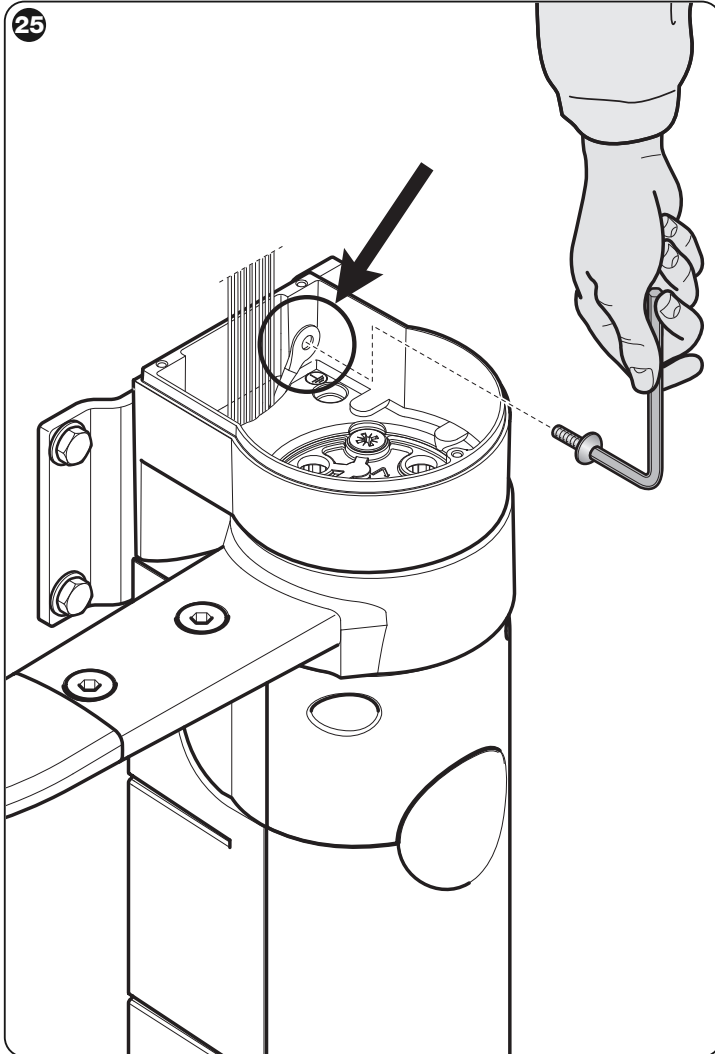
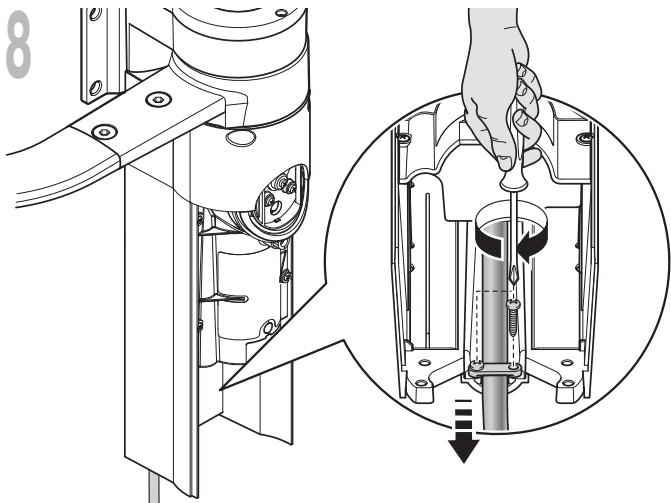
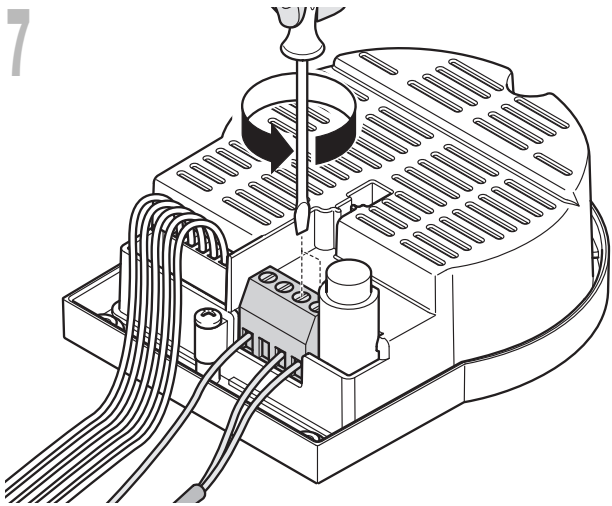


6

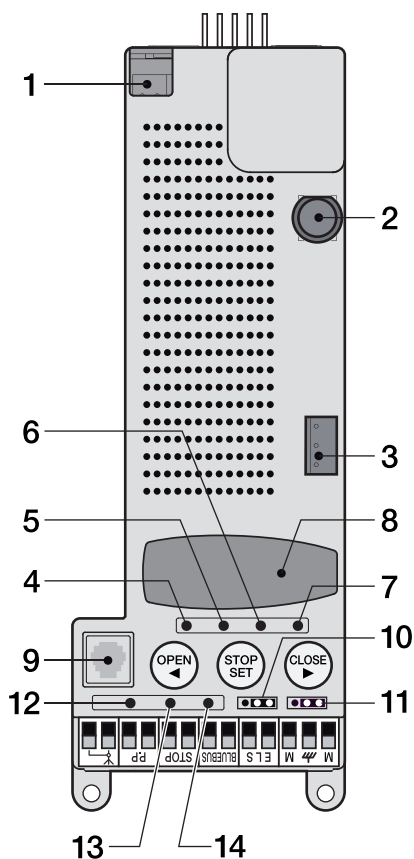






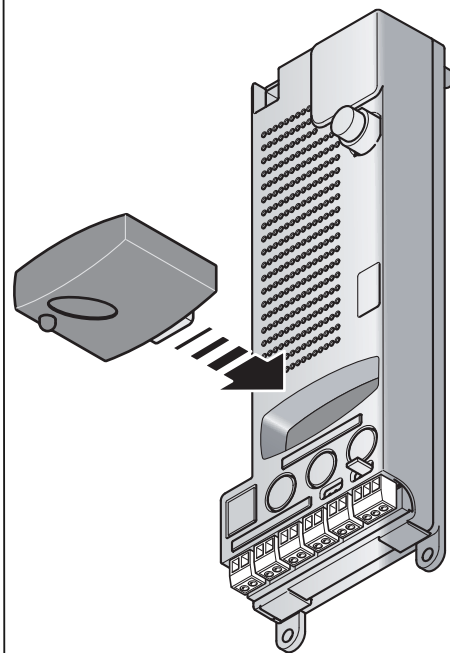


26

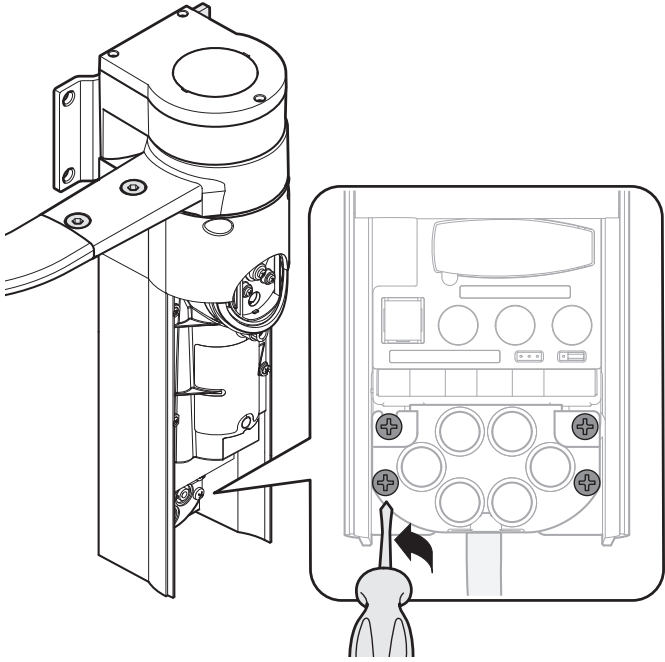


- 1 - **EN** Connector for battery / Solemyo photovoltaic power
• **IT** Connettore per batteria / alimentazione fotovoltaica Solemyo • **FR** Connecteur pour batterie / alimentation photovoltaïque Solemyo • **ES** Conector para batería / alimentación fotovoltaica Solemyo • **DE** Steckverbinder für Batterie / Versorgung durch Solarzellen Solemyo • **PL** Wtyczka dla akumulatora rezerwowego / zasilania fotowoltaicznego Solemyo • **NL** Connector voor batterij / fotovoltaische voeding Solemyo
- 2 - **EN** Fuse for control unit • **IT** Fusibile della centrale
• **FR** Fusible de la centrale • **ES** Fusible de la central
• **DE** Sicherung des Steuergeräts • **PL** Bezpiecznik centrali
• **NL** Zekering van de besturingseenheid
- 3 - **EN** Connector for motor • **IT** Connettore per motore
• **FR** Connecteur pour moteur • **ES** Conector para motor •
• **DE** Steckverbinder für Motor • **PL** Wtyczka silnika
• **NL** Connector voor motor
- 4 - **EN** Led L1 • **IT** Led L1 • **FR** Led L1 • **ES** Led L1
• **DE** Led L1 • **PL** Dioda Led L1 • **NL** Led L1
- 5 - **EN** Led L2 • **IT** Led L2 • **FR** Led L2 • **ES** Led L2
• **DE** Led L2 • **PL** Dioda Led L2 • **NL** Led L2
- 6 - **EN** Led L3 • **IT** Led L3 • **FR** Led L3 • **ES** Led L3
• **DE** Led L3 • **PL** Dioda Led L3 • **NL** Led L3
- 7 - **EN** Led L4 • **IT** Led L4 • **FR** Led L4 • **ES** Led L4
• **DE** Led L4 • **PL** Dioda Led L4 • **NL** Led L4
- 8 - **EN** Connector for receiver • **IT** Connettore per ricevitore
• **FR** Connecteur pour récepteur • **ES** Conector para receptor
• **DE** Steckverbinder für Empfänger • **PL** Wtyczka odbiornika
• **NL** Connector voor ontvanger
- 9 - **EN** BusT4 connector • **IT** Connettore BusT4 • **FR** Connecteur BusT4
• **ES** Conector BusT4 • **DE** Steckverbinder BusT4 • **PL** Wtyczka BusT4 • **NL** Connector BusT4
- 10 - **EN** Jumper JA • **IT** Jumper JA • **FR** Jumper JA • **ES** Jumper JA
• **DE** Jumper JA • **PL** Zworka JA • **NL** Jumper JA
- 11 - **EN** Jumper JB • **IT** Jumper JB • **FR** Jumper JB • **ES** Jumper JB
• **DE** Jumper JB • **PL** Zworka JB • **NL** Jumper JB
- 12 - **EN** Step-step LED • **IT** Led Passo passo • **FR** Led Pas à pas
• **ES** Led Paso a paso • **DE** Led Schrittfunktion
• **PL** Dioda Led Krok po Kroku • **NL** Stap voor stap led
- 13 - **EN** Stop LED • **IT** Led Stop • **FR** Led Stop • **ES** Led Stop
• **DE** Led Stop • **PL** Dioda Led Stop • **NL** Stop led
- 14 - **EN** Bluebus LED • **IT** Led Bluebus • **FR** Led Bluebus
• **ES** Led Bluebus • **DE** Led Bluebus • **PL** Dioda Led Bluebus
• **NL** Bluebus led

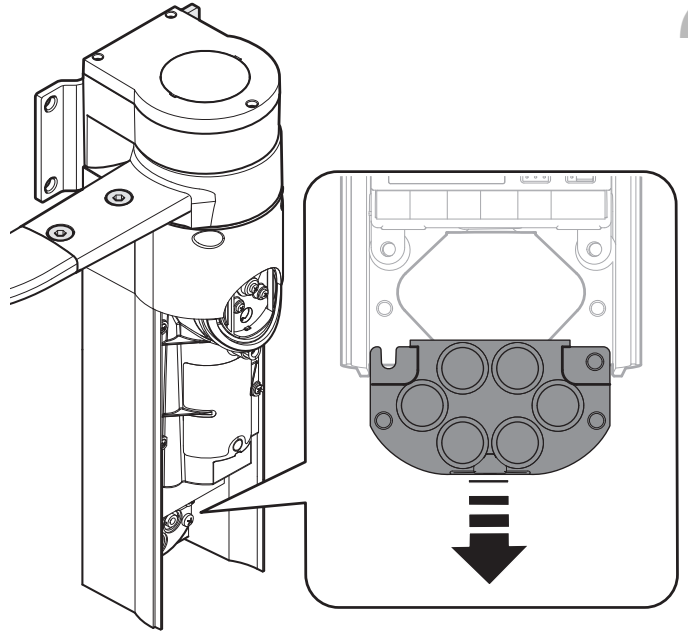
27



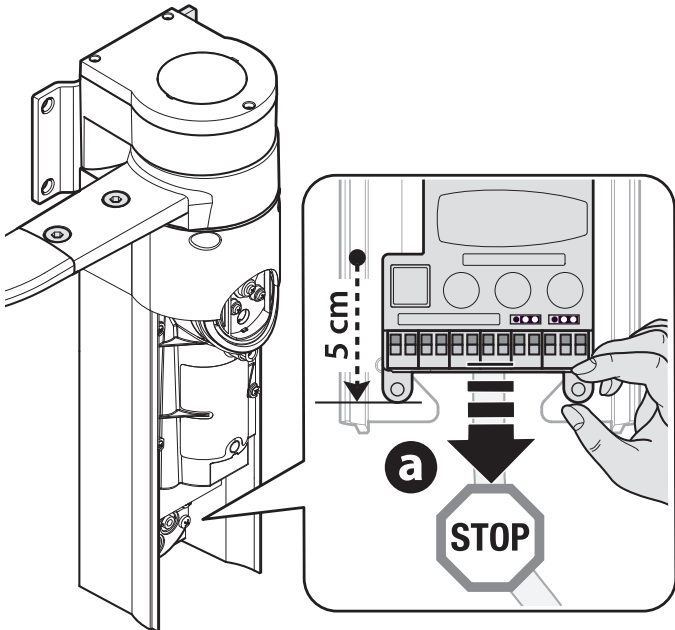
1



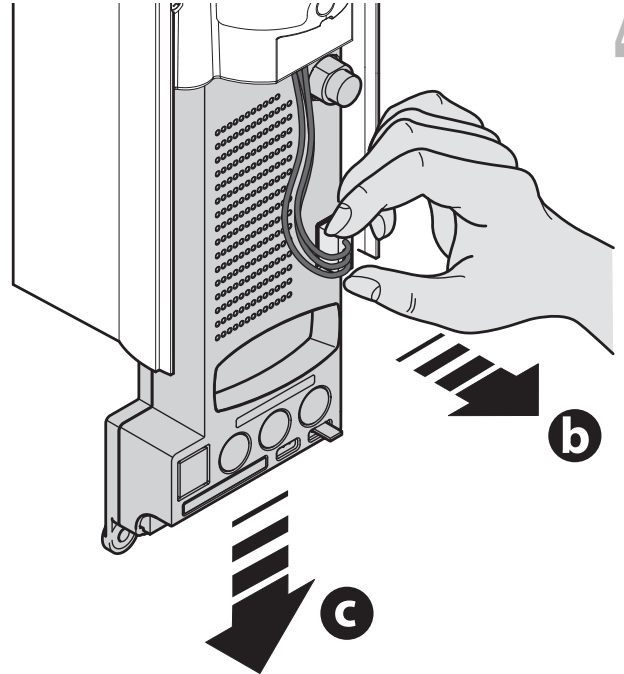
2



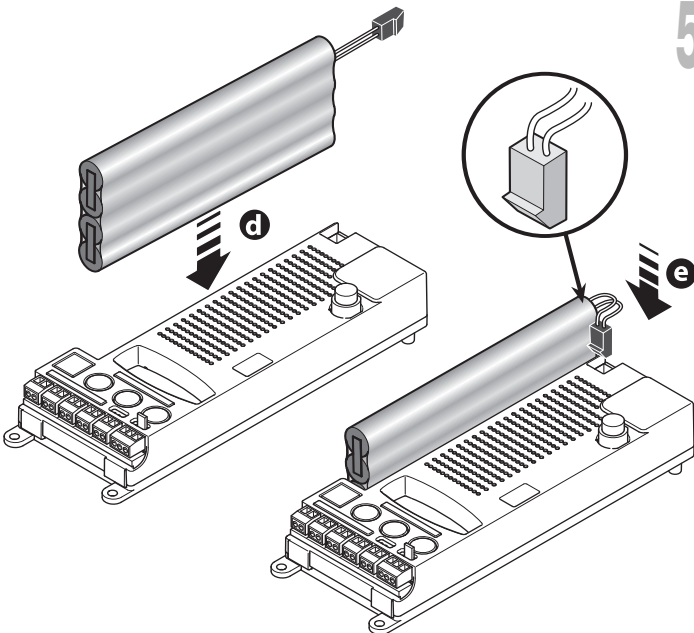
3



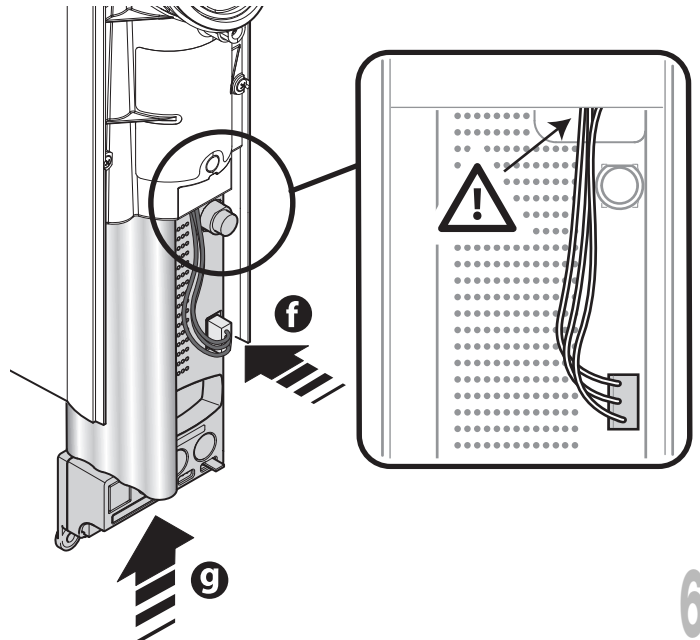
4



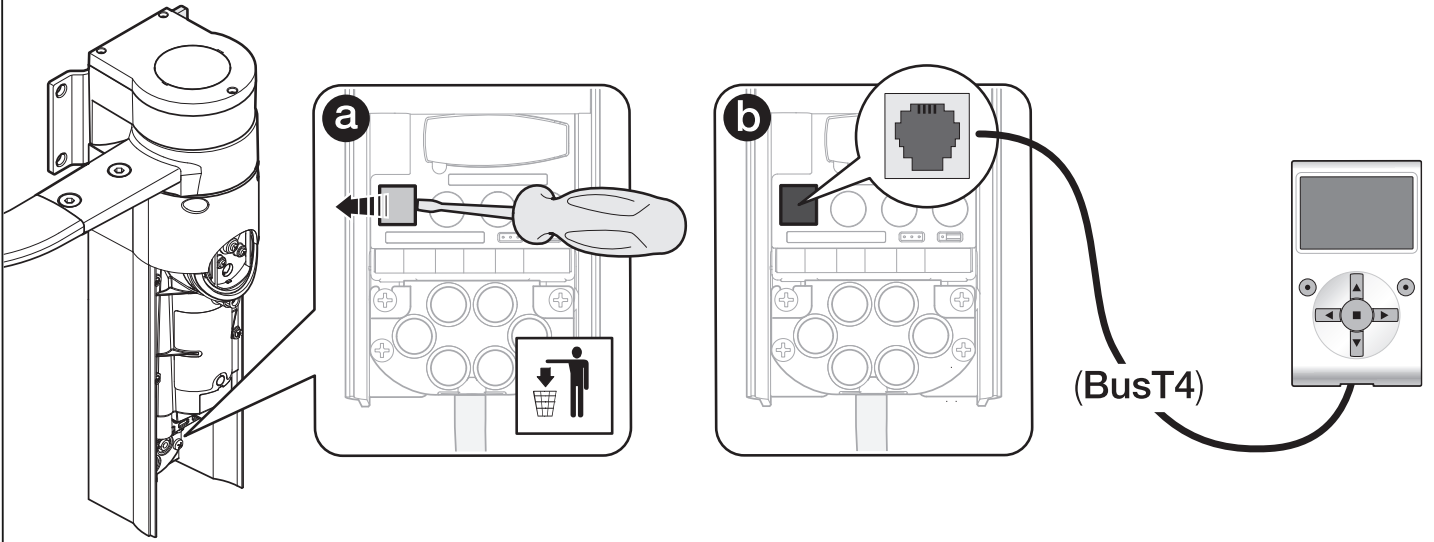
5



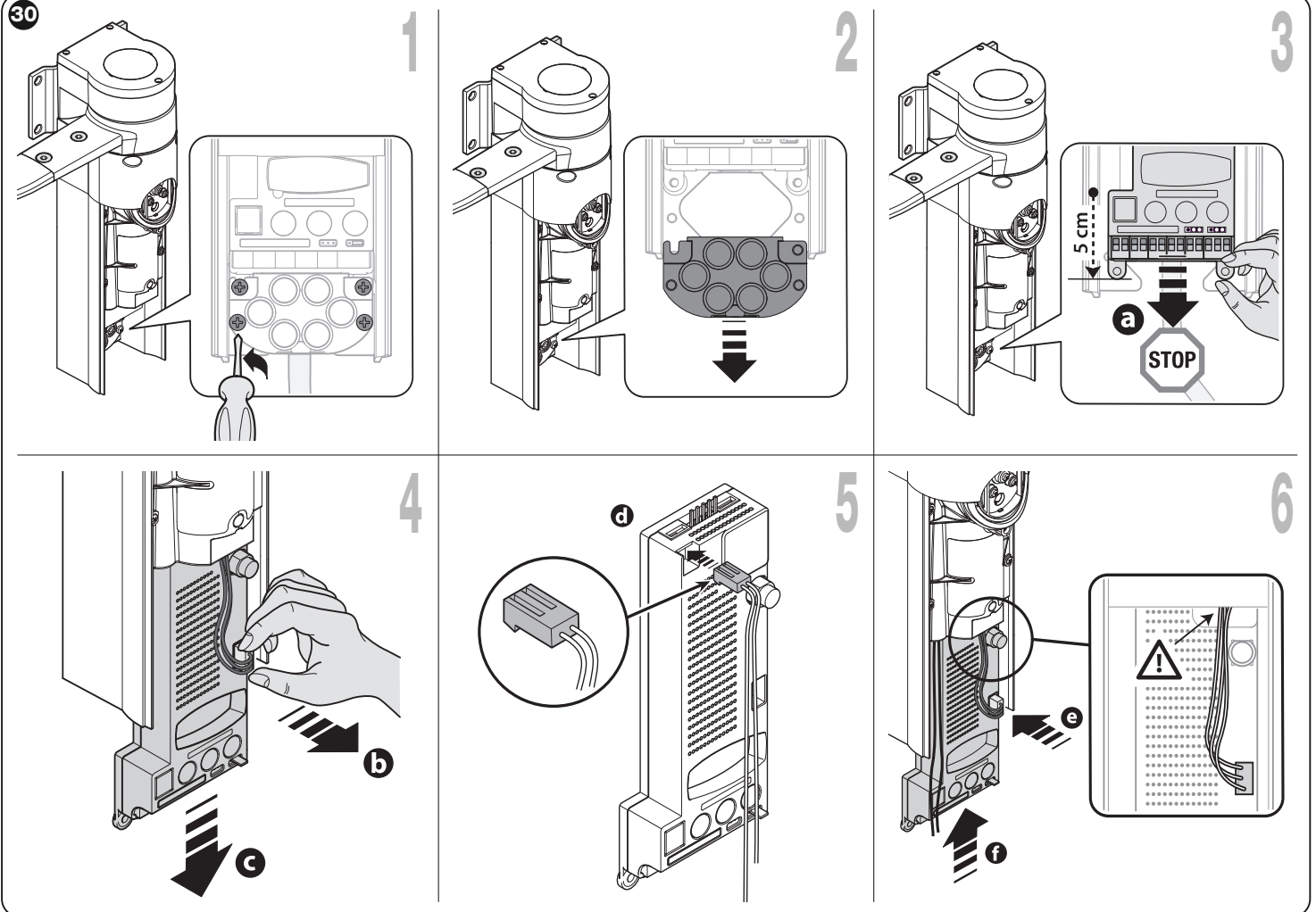
6

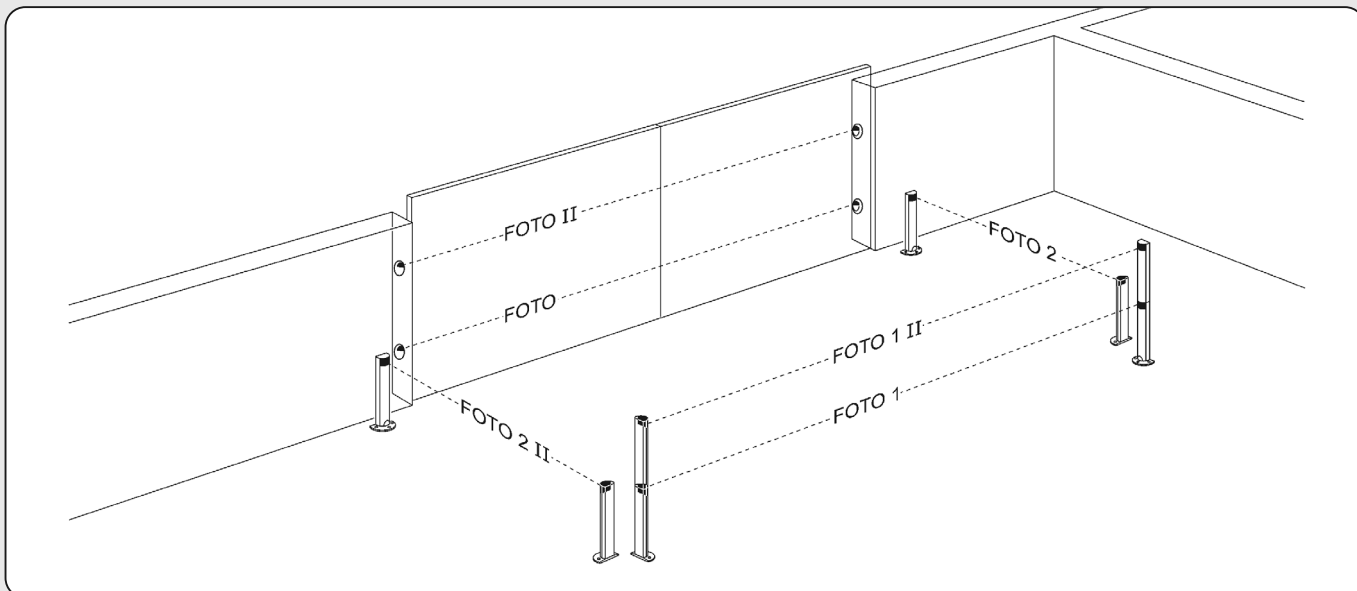


29



30





EN - TABLE 2: PHOTOCELL ADDRESSES

Photocell	Jumper	Photocell	Jumper
PHOTO Photocell h = 50 With activation on closing		PHOTO 2 Photocell With activation on opening	
PHOTO II Photocell h = 100 With activation on closing		PHOTO 2 II Photocell With activation on opening	
PHOTO 1 Photocell h = 50 With activation on closing and opening		PHOTO 3 CONFIGURATION NOT ADMITTED	
PHOTO 1 II Photocell h = 100 With activation on closing and opening			

IT - TABELLA 2: INDIRIZZI DELLE FOTOCELLULE

Fotocellula	Ponticelli	Fotocellula	Ponticelli
FOTO Fotocellula esterna h = 50 con intervento in chiusura		FOTO 2 Fotocellula interna con intervento in apertura	
FOTO II Fotocellula esterna h = 100 con intervento in chiusura		FOTO 2 II Fotocellula interna con intervento in apertura	
FOTO 1 Fotocellula interna h = 50 con intervento sia in chiusura che in apertura		FOTO 3 CONFIGURAZIONE NON PERMESSA	
FOTO 1 II Fotocellula interna h = 100 con intervento sia in chiusura che in apertura			

FR - TABLEAU 2 : ADRESSES DES PHOTOCELLULES

Photocellule	Cavaliers	Photocellule	Cavaliers
PHOTO Photocellule h = 50 avec intervention en fermeture		PHOTO 2 Photocellule avec intervention en ouverture	
PHOTO II Photocellule h = 100 avec intervention en fermeture		PHOTO 2 II Photocellule avec intervention en ouverture	
PHOTO 1 Photocellule h = 50 avec intervention tant en fermeture qu'en ouverture		PHOTO 3 CONFIGURATION NON AUTORISÉE	
PHOTO 1 II Photocellule h = 100 avec intervention tant en fermeture qu'en ouverture			

ES - TABLA 2: DIRECCIONES DE LAS FOTOCÉLULAS

Fotocélula	Puentes de conexión	FotocélulaPuentes de conexión	Puentes de conexión
FOTO Fotocélula h = 50 con accionamiento en el cierre		FOTO 2 Fotocélula con accionamiento en la apertura	
FOTO II Fotocélula h = 100 con accionamiento en el cierre		FOTO 2 II Fotocélula con accionamiento en la apertura	
FOTO 1 Fotocélula h = 50 con accionamiento tanto en el cierre como en la apertura		FOTO 3 CONFIGURACIÓN NO ADMITIDA	
FOTO 1 II Fotocélula h = 100 con accionamiento tanto en el cierre como en la apertura			

DE - TABELLE 2: ADRESSIERUNGEN DER PHOTOZELLEN

Photozelle	Überbrückungen	Photozelle	Überbrückungen
FOTO Photozelle h = 50 mit Auslösung in Schließung		FOTO 2 Photozelle mit Auslösung in Öffnung	
FOTO II Photozelle h = 100 mit Auslösung in Schließung		FOTO 2 II Photozelle mit Auslösung in Öffnung	
FOTO 1 Photozelle h = 50 mit Auslösung sowohl in Schließung als auch in Öffnung		FOTO 3 UNZULÄSSIGE KONFIGURATION	
FOTO 1 II Photozelle h = 100 mit Auslösung sowohl in Schließung als auch in Öffnung			

PL - TABELA 2: USTAWIENIA FOTOKOMÓREK

Fotokomórka	Zworki	Fotokomórka	Zworki
FOTO Fotokomórka h = 50 działa podczas zamknięcia		FOTO 2 Fotokomórka działa podczas otwarcia	
FOTO II Fotokomórka h = 100 działa podczas zamknięcia		FOTO 2 II Fotokomórka działa podczas otwarcia	
FOTO 1 Fotokomórka h = 50 działa zarówno podczas zamknięcia jak i otwarcia		FOTO 3 KONFIGURACJA ZABRONIONA	
FOTO 1 II Fotokomórka h = 100 działa zarówno podczas zamknięcia jak i otwarcia			

NL - TABEL 2: ADRESSEN VAN DE FOTOCELLEN

Fotocel	Bypasses	Fotocel	Bypasses
FOTO Externe fotocel h = 50 met ingreep bij het sluiten		FOTO 2 Interne fotocel met ingreep bij het openen	
FOTO II Externe fotocel h = 100 met ingreep bij het sluiten		FOTO 2 II Interne fotocel met ingreep bij het openen	
FOTO 1 Interne fotocel h = 50 met ingreep bij zowel het sluiten als openen		FOTO 3 UITVOERING NIET TOEGESTAAN	
FOTO 1 II Interne fotocel h = 100 met ingreep bij zowel het sluiten als openen			



Nice

Headquarters

Nice SpA

Oderzo TV Italia
Ph. +39.0422.85.38.38
Fax +39.0422.85.35.85
info@niceforyou.com

Nice in Italy

Nice Padova

Padova Italia
Ph. +39.049.87.01.05.1
Fax +39.049.87.07.63.8
infopd@niceforyou.com

Nice Roma

Roma Italia
Ph. +39.06.72.67.17.61
Fax +39.06.72.67.55.20
inforoma@niceforyou.com

Nice Worldwide

Nice France

Buchelay France
Ph. +33.(0)1.30.33.95.95
Fax +33.(0)1.30.33.95.96
info@fr.niceforyou.com

Nice France Sud

Aubagne France
Ph. +33.(0)4.42.62.42.52
Fax. +33.(0)4.42.62.42.50
infomarseille@fr.niceforyou.com

Nice France Rhône Alpes

Decines Charpieu France
Ph. +33.(0)4.78.26.56.53
Fax +33.(0)4.78.26.57.53
infoyon@fr.niceforyou.com

Nice Belgium

Leuven (Heverlee) Belgium
Ph. +32.(0)16.38.69.00
Fax +32.(0)16.38.69.01
info@be.niceforyou.com

Nice Deutschland

Gelnhausen Deutschland
Ph. +49.(0)6051.91.520
Fax +49.(0)6051.91.52.119
info@de.niceforyou.com

Nice España Madrid

Mostoles Madrid España
Ph. +34.(0)9.16.16.33.00
Fax +34.(0)9.16.16.30.10
info@es.niceforyou.com

Nice España Barcelona

Sant Quirze del Valles
Barcelona España
Ph. +34.(0)9.37.84.77.75
Fax +34.(0)9.37.84.77.72
info@es.niceforyou.com

Nice Australia

Wetherill Park Australia
Ph. +61.(0)2.96.04.25.70
Fax +61.(0)2.96.04.25.73
info@au.niceforyou.com

Nice China

Shanghai P. R. China
Ph. +86.21.575.701.46
Fax +86.21.575.701.44
info@niceforyou.com.cn

Nice USA

San Antonio Texas USA
info@us.niceforyou.com

Nice Russia

Odintsovo Moscow Region Russia
Ph. +7.495.739.97.02
Fax +7.495.739.97.02
info@ru.niceforyou.com

Nice South Africa

Johannesburg South Africa
info@co.za.niceforyou.com

Nice Polska

Pruszków Polska
Ph. +48.(0)22.759.40.00
Fax +48.(0)22.759.40.22
info@pl.niceforyou.com

Nice Portugal

Mem Martins Portugal
Ph. +351.21.922.82.10
Fax +351.21.922.82.19
info@pt.niceforyou.com

Nice Romania

Cluj Napoca Romania
Ph./Fax +40.(0)264.453.127
info@ro.niceforyou.com

Nice Turkey

Kadikoy Istanbul Turkey
Ph. +90.216.456.34.97
Fax +90.216.455.78.29
info@tr.niceforyou.com

Nice UK

Sutton in Ashfield
United Kingdom
Ph. +44.16.23.55.80.86
Fax +44.16.23.55.05.49
info@uk.niceforyou.com