

CE



Photocells



# F210B

**Instructions and warnings for the fitter**

**Istruzioni ed avvertenze per l'installatore**

**Instructions et recommandations pour l'installateur**

**Anweisungen und Hinweise für den Installateur**

**Instrucciones y advertencias para el instalador**

**Instrukcje i ostrzeżenia dla instalatora**

**Aanwijzingen en aanbevelingen voor het installeren**

COMPANY  
WITH QUALITY SYSTEM  
CERTIFIED BY DNV  
=ISO 9001/2000=

**Nice**

## 1) Warnings

This manual contains important information regarding safety during installation, therefore before starting installation, it is important that you read all the information contained herein. Store this manual in a safe place for future use. Due to the dangers which may arise during both the installation and use of the F210B, installation must be carried out in full respect of the laws, provisions and rules currently in force in order to ensure maximum safety.

**According to the most recent European legislation, the automation of a door or gate is governed by the provisions listed in Directive 98/37/CE (Machine Directive) and, more specifically, by provisions: EN 13241-1 (harmonized standard); EN 12445; EN 12453 and EN 12635, which enable to declare the conformity of the product to the machine directive.**

Further information, risk analysis guidelines and how to draw up the Technical Documentation are available at: [www.niceforyou.com](http://www.niceforyou.com). This manual has been especially written for use by qualified fitters, none of the information provided in this manual can be considered as being of interest to end users!

- The use of F210B which is not explicitly provided for in these instructions is not permitted. Improper use may cause damage and personal injury.
- Do not modify any components unless such action is specified in these instructions. Operations of this type are likely to lead to malfunctions. NICE

- disclaims any liability for damage resulting from modified products
- F210B must only function through TX-RX direct interpolation. Use through reflection is prohibited.
- The photocell must be secured to a solid and vibration free surface.
- Use suitable conductors for the electrical connections as specified in the control unit manuals.
- The F210B photocells can only be connected to control units with "Blue-Bus" technology.

Particular warnings concerning the suitable use of this product in relation to the 89/336/EEC "Electromagnetic Compatibility" Directive and subsequent modifications 92/31/EEC and 93/68/EEC:

This product has been subjected to tests regarding the electromagnetic compatibility in the most critical of use conditions, in the configurations foreseen in this instructions manual and in combination with articles present in the Nice S.p.a. product catalogue. The electromagnetic compatibility may not be guaranteed if used in configurations or with other products that have not been foreseen; the use of the product is prohibited in these situations until the correspondence to the requirements foreseen by the directive have been verified by those performing the installation.

## 2) Product description and applications

The F210B directional photocells are presence detectors (type D according to the EN12453 standard) that can be used in gate automation systems, which allow the detection of obstacles present on the optical axis between the transmitter (TX) and the receiver (RX).

The photocells have a "BlueBus" type communication that allows all devices to be easily connected to the control unit with just two wires. The photocells are simply connected in parallel and the addressing jumpers are selected depending on the required function (see table 1).

Because the F210B can be horizontally directed through 210° and vertically directed through 30°, it can also be applied on surfaces where the correct alignment between the TX and RX would not normally be possible (see figure 1).

The F210B photocells can be used along with the new "FT210B" series of devices (see figures 2 and 3). The FT210B device uses the "BlueBUS" technology and resolves problems related to the electrical connection of sensitive edges on the moving leaf (for further details consult the FT210B use manual).

## 3) Installation

**⚠ The system must be disconnected from the mains power supply during installation. If buffer batteries are present, these must also be disconnected.**

- Check carefully that the use parameters conform to the data indicated in the "technical characteristics" chapter. If in doubt, do not use the product and ask clarification from the Nice technical assistance department.

Proceed with the installation checking the following points:

1. Depending on the type of automation, position the photocells based on the detection functions. Check the foreseen positions in figures 2, 3, 4 and 5 and set the jumpers following table 1.  
To rectify interference between the various "BlueBus" devices, position the photocell transmitters and receivers as shown in figures 2 and 3.  
If the photocell needs to be used as an opening device (see figures 2, 3, 4 and 5, and the FA1 and FA2 addresses in table 1), cut the jumper between points "A" both on the TX and on the RX as shown in fig. 6

2. If necessary, the F210B can be installed on a special MOCF post, with the appropriate FA2 accessory (see figure 7), or wall mounted. If the F210B is wall mounted, the cable can be introduced from the base (see figure 8) or from below. In this case a "PG9" cable clip is required (see figure 9).
3. To aid the fixing operation, the electronic board can be detached from the base using a screw driver to lever the three clips as shown in figure 10.
4. Fix the receiver as shown in figure 11.
5. If the distance between TX and RX is greater than 10 m, cut the jumper between points "> 10 m" of the RX as shown in figure 6.
7. Connect the electric cable to both the TX and RX terminals. From an electrical point of view, the TX and RX are connected together in parallel (as shown in figure 12) and to the "BlueBus" interface or control unit terminal. The polarity does not have to be respected
8. Direct the lenses as shown in figure 13 so that the TX and RX are perfectly aligned.

## 4) Addressing and recognition of the devices

The particular "BlueBus" communication system allows the control unit to recognise the photocells, by means of addressing with the appropriate jumpers, and to assign the correct detection operation. The addressing operation is performed both on the TX as well as on the RX (positioning the jumpers in the same manner) making sure that there are no other photocell pairs with the same address.

1. Address the photocells based on the required operation, positioning the jumpers as shown in table 1.  
Place the jumpers that are not used in the spare location for future use, as shown in figure 14.

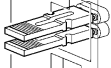
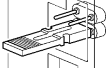
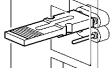
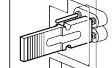
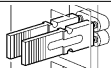

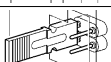

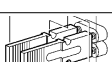
**Note:** For the detailed description of the various operations performed and each type of addressing, consult the "BlueBus" technology interface and control units use manual.

**Note:** to rectify interference between the various "BlueBus" devices, position the photocell transmitters and receivers as shown in figures 2 and 3.

2. Perform the programming of the devices on the control unit as illustrated in paragraph "Recognition of connected devices" in the various "Blue-Bus" interface or control unit use manuals.

**Note:** If the photocell is used in replacement of an already existing photocell, the jumpers are positioned in exactly the same way as that of the replaced photocell and the recognition phase is not necessary.

3. If necessary, improve the alignment of the TX and RX lenses as shown in figure 13. Perform the L1 Led signalling (Ir Level), the slower the flash the better the alignment. The best alignment is when the L1 Led flashes slowly with a maximum of 3 flashes per second.

Photocell	Jumpers	Photocell	Jumpers
FOTO		FOTO 2	
FOTO II		FOTO 2 II	
FOTO 1		FOTO 3	
FOTO 1 II			
FA1 (cut jumper A on TX and RX as shown in figure 6)		FA2 (cut jumper A on TX and RX as shown in figure 6)	

## 5) Testing and operational control

After the recognition phase make sure that the Led on the photocell flashes (both on the TX and on the RX). Check the status of the photocell on table 2 based on the type of flash of the Led "L".

LED "L"	Status	Action
Off	The photocell is either disconnected or malfunctioning	Check that a voltage of approximately 8-12 Vdc is present on the photocell terminals. If the voltage is correct the photocell is probably malfunctioning
3 fast flashes and 1 second pause	Device not recognised by the control unit	Repeat the recognition phase from the control unit, making sure that all photocell pairs have different addresses
Very slow flashing	The TX transmits properly The RX receives a perfect signal	Normal operation
Slow flashing	The RX receives a fair signal	Normal operation
Fast flashing	The RX receives a weak signal	Normal operation but the TX-RX alignment should be checked as well as the cleanness of the glasses
Very fast flashing	The RX receives a very poor signal	It is at the limit of normal operation, the TX-RX alignment should be checked as well as the cleanness of the glasses
Always on	The RX does not receive any signal	Make sure that the LED on the TX flashes very slowly. Check to see if there is an obstacle between TX and RX. Check the TX-RX alignment

**Warning:** testing of the entire automation must be performed again in accordance with that foreseen in the related installation manuals after photocells have been added or replaced.

To check the photocells and to make sure that there is no interference with other devices, pass a 5 cm diameter, 30 cm long cylinder on the optical axis, first near TX, then near RX and finally at the mid-point between them (see Figure 15) and make sure that in all these cases the device is triggered, switching from the active to the alarm status and vice-versa. Finally, make sure that

the intended action occurs in the control unit, for example that it causes the reversal of the movement during the closing manoeuvre.

The control of the F210B optical presence sensor (type D) according to the EN 12445 standard, is performed with the 700x300x200mm test parallelepiped with 3 black sides and 3 polished white or mirrored sides as indicated in figure 16 and according to chapter 7 of the EN 12445:2000 standard (or enclosure A of prEN12445:2005).

## 6) Maintenance

The photocell does not require any particular maintenance, however a control should be performed at least once every six months to check its integrity (presence of dampness, rust, etc), as well as cleaning of the external casing and lenses and testing as described in the previous paragraph. The F210B

photocell has been designed to function under normal conditions for at least 10 years, therefore maintenance should be performed more frequently once this period has expired.

### 6.1) Disposal

As for the installation, the disposal of the product, at the end of its effective life, must be performed by qualified personnel. This product is made of various types of material, some of which can be recycled while others must be disposed of. Enquire about the recycling or disposal systems available for this product category in compliance with regulations locally in force

**Warning:** some parts of the product may contain polluting or hazardous substances that, if incorrectly disposed of, could have a damaging effect on the environment or on the health of individuals.

As indicated by the symbol in figure 17, this product must not be disposed of along with household waste. Perform "separated collection" for disposal in compliance with regulations locally in force, or return the product to the manufacturer when purchasing a replacement.



Heavy fines may be imposed by local laws for the illegal disposal of this product.

## 7) Technical characteristics

In order to improve its products, NICE S.p.a. reserves the right to modify the technical characteristics at any time without prior notice. In any case, the manufacturer guarantees their functionality and fitness for the intended purposes.

Note: all technical characteristics refer to a temperature of 20°C.

F210B directional photocell	
Product type	Presence detector for automatic gate and door automation systems (type D according to EN standard 12453), consisting in a "TX" transmitter and "RX" receiver.
Adopted technology	TX-RX direct optical interpolation with modulated infrared beam
Power supply/output	The device can be connected to "BlueBus" networks only from which it obtains its power supply and sends output signals.
Absorbed power	1 BlueBus unit
Detection capacity	Opaque objects located on the optical axis between TX and RX, larger than 50 mm and moving slower than 1.6m/s
TX transmission angle	+/- 4° (value taken at 50% of the capacity)
RX reception angle	+/- 3° (value taken at 50% of the capacity)
Adjustability of the F210B photocell	Approximately 210° on the horizontal axis and 30° on the vertical axis
Useful range	10m or 30m with the ">10m" jumper cut for maximum TX-RX misalignment ± 2° (the range may be further reduced in the presence of particularly intense atmospheric conditions: fog, rain, snow, dust, etc.)
Maximum range	20m or 60m with the ">10m" jumper cut for maximum TX-RX misalignment ± 2° (capacity guaranteed under optimal conditions)
Maximum length of cable	Up to 50m
Addressing capability	Up to 7 detectors with safety function and 2 with open command function. The automatic synchronism prevents interference between the various detectors .
Use in acid, saline or potentially explosive atmosphere	No
Assembly	Vertically wall mounted or on "MOCF" posts with "FA2" bracket.
Casing protection class	IP44
Operating temperature	20÷55°C
Dimensions / weight	46 x 128 h 45mm / 230 g

## 1) Avvertenze

Questo manuale d'istruzioni contiene importanti informazioni riguardanti la sicurezza per l'installazione, è necessario leggere tutte le istruzioni prima di procedere all'installazione. Conservare con cura questo manuale anche per utilizzi futuri. Considerando i pericoli che si possono verificare durante l'installazione e l'uso di F210B, per la massima sicurezza è necessario che l'installazione avvenga nel pieno rispetto di leggi, norme e regolamenti.

**Secondo la più recente legislazione europea, l'automazione di una porta o cancello ricade in quanto previsto dalla Direttiva 98/37/CE (Direttiva Macchine) e nel particolare, alle norme: EN 13241-1 (norma armonizzata); EN 12445; EN 12453 ed EN 12635, che consentono di dichiarare la conformità alla direttiva macchine.**

Ulteriori informazioni, linee guida all'analisi dei rischi ed alla realizzazione del Fascicolo Tecnico, sono disponibili su: "www.niceforyou.com". Il presente manuale è destinato solamente al personale tecnico qualificato per l'installazione, nessuna altra informazione contenuta nel presente fascicolo può essere considerata d'interesse per l'utilizzatore finale!

- L'uso di F210B diverso da quanto previsto in queste istruzioni è vietato; usi impropri possono essere causa pericoli o danni a persone e cose.
- Non eseguire modifiche su nessuna parte se non previste nelle presenti istruzioni;

operazioni di questo tipo possono solo causare malfunzionamenti; NICE declina ogni responsabilità per danni derivati da prodotti modificati.

- F210B deve funzionare esclusivamente per interpolazione diretta TX-RX; è vietato l'uso per riflessione.
- La fotocellula va fissata in modo permanente su una superficie rigida e senza vibrazioni.
- Utilizzare per i collegamenti elettrici, conduttori adeguati come riportato nei manuali delle centrali.
- Le fotocellule F210B possono essere collegate solo a centrali dotate di tecnologia "BlueBus".

Avvertenze particolari sull'idoneità all'uso di questo prodotto in relazione alla Direttiva "Compatibilità Elettromagnetica" 89/336/CEE e successiva modifiche 92/31/CEE e 93/68/CEE:

Questo prodotto è stato sottoposto alle prove relative alla compatibilità elettromagnetica nelle situazioni d'uso più critiche, nelle configurazioni previste in questo manuale di istruzioni ed in abbinamento con gli articoli presenti nel catalogo prodotti di Nice S.p.a. Potrebbe non essere garantita la compatibilità elettromagnetica se il prodotto è usato in configurazioni diverse o con altri prodotti non previsti; è vietato l'uso del prodotto in queste situazioni finché chi esegue l'installazione non abbia verificato la rispondenza ai requisiti previsti dalla direttiva.

## 2) Descrizione e destinazione d'uso

Le fotocellule orientabili F210B sono rilevatori di presenza (tipo D secondo la norma EN 12453) utilizzabili in automatismi per cancelli e permettono di rilevare ostacoli presenti sull'asse ottico tra trasmettitore (TX) e ricevitore (RX). Le fotocellule sono dotate di un tipo di comunicazione "BlueBus" che consente un facile collegamento alla centrale di tutti i dispositivi con soli due fili. Le fotocellule vengono semplicemente collegate tutte in parallelo e, a seconda della funzione richiesta, vengono selezionati i ponticelli di indirizzamento (vedere tabella 1).

Con la possibilità d'orientamento di 210° sull'asse orizzontale e 30° sull'asse verticale, F210B è utilizzabile anche dove superfici di fissaggio impedirebbero un corretto allineamento tra TX e RX (vedi figura 1).

Le fotocellule F210B sono utilizzabili assieme alla nuova serie di dispositivi "FT210B" (vedere figure 2 e 3). FT210B è un dispositivo con tecnologia "BlueBUS" e consente di risolvere il problema dei collegamenti elettrici di bordi sensibili posti su ante in movimento (per una descrizione dettagliata, si rimanda al manuale d'uso del dispositivo FT210B).

## 3) Installazione

**⚠ Tutte le operazioni d'installazione vanno eseguite in assenza di tensione all'impianto; nel caso sia presente la batteria tampone, è necessario scollegarla.**

- Verificare attentamente che i parametri di utilizzo siano concordi con i dati riportati nel capitolo "caratteristiche tecniche". In caso di dubbio non utilizzare il prodotto e richiedere chiarimenti al servizio di assistenza tecnica di Nice.

Procedere con l'installazione, verificando i seguenti punti:

1. A seconda del tipo di automazione, posizionare le fotocellule in base alle funzioni di rilevazione. Verificare nelle figure 2, 3, 4 e 5, le posizioni previste e porre i ponticelli secondo la tabella 1.  
Per ovviare a problemi di interferenze tra i vari dispositivi "BlueBus", disporre i trasmettitori e i ricevitori delle fotocellule come da figure 2 e 3.  
Se richiesta la funzione di fotocellula come dispositivo di apertura (vedere figure 2, 3, 4, 5 ed gli indirizzi FA1 e FA2 in tabella 1), tagliare il ponticello tra i punti "A" sia su TX che su RX, come indicato in fig. 6.

2. A seconda delle necessità, F210B può essere installata su apposita colonnina MOCF con lo specifico accessorio FA2 (vedere figura 7) oppure fissata a muro. Se F210B è fissata a muro, l'ingresso del cavo può avvenire dal fondo (vedere figura 8) oppure dal basso; in questo caso è necessario aggiungere un pressacavo di tipo "PG9" (vedere figura 9).
3. Per facilitare le operazioni di fissaggio è possibile separare la scheda elettronica dal fondo facendo leva con un cacciavite nei tre incastri come indicato in figura 10.
4. Effettuare il fissaggio di ricevitore come indicato in figura 11.
5. Nel caso la distanza tra TX e RX sia superiore a 10m tagliare il ponticello tra i punti "> 10m." del RX come indicato in fig. 6.
6. Collegare il cavo elettrico negli appositi morsetti sia del TX che del RX. Dal punto di vista elettrico, TX ed RX vanno collegati in parallelo tra loro (come mostrato nella figura 12) e al morsetto "BlueBus" delle interfacce o centrali di comando. Non è necessario rispettare alcuna polarità.
7. Orientare le lenti come indicato in figura 13 in modo da ottenere il migliore allineamento possibile tra TX e RX.

## 4) Indirizzamento e apprendimento dei dispositivi

Il particolare sistema di comunicazione "BlueBus" consente, tramite l'indirizzamento con gli appositi ponticelli, il riconoscimento delle fotocellule da parte della centrale e di assegnare la corretta funzione di rilevazione. L'operazione di indirizzamento va fatta sia sul TX che sul RX (ponendo i ponticelli nello stesso modo) verificando che non vi siano altre coppie di fotocellule con lo stesso indirizzo.

1. Indirizzare le fotocellule in base alla funzione richiesta ponendo i ponticelli secondo la tabella 1. Riporre gli eventuali ponticelli non usati nel vano riservato per utilizzi futuri, come in figura 14.

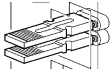
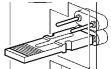
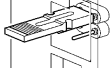
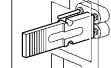
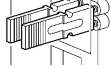
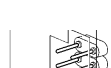
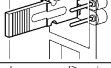
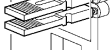
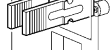
**Nota:** Per la descrizione dettagliata delle varie funzioni eseguite ad ogni tipo di indirizzamento, si rimanda ai manuali d'uso delle centrali e interfacce di comando con tecnologia "BlueBus".

**Nota:** Per ovviare a problemi di interferenze tra i vari dispositivi "BlueBus", disporre i trasmettitori e i ricevitori delle fotocellule, come indicato nelle figure 2 e 3.

2. Sulla centrale, eseguire la procedura di programmazione dei dispositivi, come riportato nel paragrafo "Apprendimento dispositivi collegati" nel manuale d'uso delle varie interfacce o centrali di comando "BlueBus".

**Nota:** Se la fotocellula viene usata in sostituzione di una già esistente, i ponticelli andranno posti esattamente com'erano nella fotocellula sostituita e non è necessaria la fase di apprendimento.

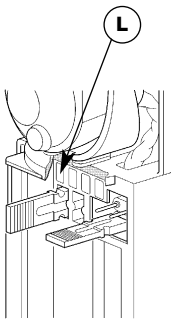
3. Se necessario migliorare l'allineamento intervenendo sull'orientamento delle lenti del TX e del RX, come indicato in figura 13. Seguire la segnalazione del led L1 (Ir Level) minore è la velocità del lampeggio e migliore è l'allineamento; la regolazione ottimale si ha quando il led L1 lampeggia lentamente, massimo 3 lampeggi al secondo.

Tabella 1			
Fotocellula	Ponticelli	Fotocellula	Ponticelli
FOTO		FOTO 2	
FOTO II		FOTO 2 II	
FOTO 1		FOTO 3	
FOTO 1 II			
FA1 (tagliare ponticello A su TX e RX, come da fig. 6)		FA2 (tagliare ponticello A su TX e RX, come da fig. 6)	

## 5) Collaudo e verifica del funzionamento

Dopo la fase di apprendimento verificare che il LED sulla fotocellula esegua dei lampeggi (sia su TX che RX). Verificare in tabella 2, lo stato della fotocellula in base al tipo di lampeggio del led "L".

Tabella 2

	LED "L"	Stato	Azione
	Spento	La fotocellula non è alimentata oppure è guasta	Verificare che sui morsetti della fotocellula sia presente una tensione di circa 8-12 Vdc; se la tensione è corretta è probabile che la fotocellula sia guasta
	3 lampeggi veloci e 1 secondo di pausa	Dispositivo non appreso dalla centrale di comando	Ripetere la procedura di apprendimento dalla centrale. Verificare che tutte le coppie di fotocellula abbiano indirizzi diversi
	Lampeggio molto lento	Il TX trasmette regolarmente. L'RX riceve un segnale ottimo	Funzionamento normale
	Lampeggio lento	L'RX riceve un segnale buono	Funzionamento normale
	Lampeggio veloce	L'RX riceve un segnale scarso	Funzionamento normale ma è il caso di verificare l'allineamento TX-RX e la corretta pulizia dei vetri
	Lampeggio velocissimo	L'RX riceve un segnale pessimo	È al limite del funzionamento normale, occorre verificare l'allineamento TX-RX e la corretta pulizia dei vetri
	Sempre acceso	L'RX non riceve alcun segnale	Verificare che il LED sul TX esegua un lampeggio molto lento. Verificare se c'è un ostacolo tra TX e RX; verificare l'allineamento TX - RX

**Attenzione:** dopo aver aggiunto o sostituito delle fotocellule è necessario eseguire nuovamente il collaudo dell'intera automazione secondo quanto previsto nei relativi manuali di installazione.

Per la verifica delle fotocellule ed in particolare che non vi siano interferenze con altri dispositivi, passare un cilindro di diametro 5cm e lunghezza 30 cm sull'asse ottico prima vicino al TX, poi vicino al RX e infine al centro tra i due (vedere figura 15) e verificare che in tutti i casi il dispositivo intervenga passando dallo stato di attivo a quello di allarme e viceversa; infine che provochi

nella centrale l'azione prevista; ad esempio: nella manovra di chiusura provochi l'inversione di movimento.

La verifica secondo la norma EN 12445 di F210B come rilevatore di presenza ottico (tipo D); va fatta con il parallelepipedo di test 700x300x200mm con 3 lati nero opaco e 3 lati bianco lucido oppure a specchio come indicato in figura 16 e secondo quanto richiesto dal capitolo 7 della norma EN 12445:2000 (oppure allegato A in prEN 12445:2005).

## 6) Manutenzione

Le fotocellule non necessitano di accorgimenti particolari, ma è necessaria un controllo almeno ogni 6 mesi nella quale venga verificato lo stato delle stesse (presenza di umidità, ossidi, ecc.), venga quindi eseguita la pulizia dell'involucro esterno e delle lenti, e rieseguito il collaudo come descritto al paragrafo

precedente. Le fotocellule F210B sono state studiate per funzionare in condizioni normali almeno 10 anni, è quindi opportuno intensificare la frequenza di manutenzione trascorso questo periodo.

### 6.1) Smaltimento

Come per l'installazione, anche al termine della vita di questo prodotto, le operazioni di smantellamento devono essere eseguite da personale qualificato. Questo prodotto è costituito da vari tipi di materiali, alcuni possono essere riciclati altri devono essere smaltiti; informatevi sui sistemi di riciclaggio o smaltimento previsti dai regolamenti locali per questa categoria di prodotto.

**Attenzione:** alcune parti del prodotto possono contenere sostanze inquinanti o pericolose, se disperse potrebbero provocare effetti dannosi sull'ambiente e sulla salute umana.

Come indicato dal simbolo di figura 17 è vietato gettare questo prodotto nei rifiuti domestici. Eseguire la "raccolta separata" per lo smaltimento secondo i metodi previsti dai regolamenti locali; oppure riconsegnare il prodotto al venditore al momento dell'acquisto di un nuovo prodotto equivalente.



Regolamenti locali possono prevedere pesanti sanzioni in caso di smaltimento abusivo di questo prodotto.

## 7) Caratteristiche tecniche

Allo scopo di migliorare i prodotti, NICE S.p.a. si riserva il diritto di modificare le caratteristiche tecniche in qualsiasi momento e senza preavviso, garantendo comunque funzionalità e destinazione d'uso previste.

Nota: tutte le caratteristiche tecniche sono riferite alla temperatura di 20°C.

### Fotocellule orientabili F210B

Tipo di prodotto	Rilevatore di presenza per automatismi di cancelli e portoni automatici (tipo D secondo norma EN 12453) composto da una coppia di trasmettitore "TX" e ricevitore "RX"
Tecnologia adottata	Interpolazione ottica diretta TX-RX con raggio infrarosso modulato
Alimentazione/uscita	Il dispositivo può essere collegato solo a reti "BlueBus" dalla quale preleva l'alimentazione elettrica e invia i segnali di uscita.
Potenza assorbita	1 unità Blue bus
Capacità di rilevamento	Oggetti opachi posti sull'asse ottico tra TX-RX con dimensioni maggiori di 50mm e velocità minore di 1,6m/s
Angolo di trasmissione TX	+/- 4° (valore rilevato al 50% della portata)
Angolo di ricezione RX	+/- 3° (valore rilevato al 50% della portata)
Orientabilità della fotocellula F210B	210° circa nell'asse orizzontale e 30° nell'asse verticale
Portata utile	10m o 30m con ponticello ">10m" tagliato; per disassamento TX-RX massimo ± 2° (la portata si può ridurre ulteriormente in presenza di fenomeni atmosferici particolarmente intensi :nebbia, pioggia, neve, polvere, ecc..)
Portata massima	20m o 60m con ponticello ">10m" tagliato; per disassamento TX-RX massimo ± 2° (portata garantita in condizioni ottimali)
Lunghezza massima cavi	Fino a 50 m
Possibilità di Indirizzamento	Fino a 7 rilevatori con funzione di protezione e 2 con funzione di comando di apertura. Il sincronismo automatico evita l'interferenza fra i vari rilevatori
Utilizzo in atmosfera acida, salina o potenzialmente esplosiva	No
Montaggio	Verticale a parete o su colonnina "MOCF" con staffa di fissaggio "FA2"
Grado di protezione contenitore	IP44
Temperatura di esercizio	20 ±55°C
Dimensioni / peso	46 x 128 h 45mm / 230 g

## 1) Avertissements

Ce manuel d'instructions contient des informations importantes concernant la sécurité pour l'installation, il faut lire toutes les instructions avant de procéder à l'installation. Conserver avec soin ce manuel également pour des consultations futures. Compte tenu des dangers qui peuvent se vérifier durant l'installation et l'utilisation de F210B, pour le maximum de sécurité il faut que l'installation soit faite dans le plein respect des lois, normes et règlements.

**D'après la législation européenne la plus récente, l'automatisation d'une porte ou d'un portail possède les caractéristiques prévues par la Directive 98/37/CE (Directive Machines) et en particulier par les normes: EN 13241-1 (norme harmonisée); EN 12445; EN 12453 et EN 12635 qui permettent de déclarer la conformité à la directive machines.**

D'autres informations et les conseils pour l'analyse des risques et la réalisation du dossier technique sont disponibles sur le site: "www.niceforyou.com". La présente notice est destinée uniquement au personnel technique qualifié pour l'installation. Aucune autre information contenue dans la présente notice ne peut être considérée comme intéressante pour l'utilisateur final!

- Une utilisation de F210B différente de ce qui est prévu dans cette notice est interdite; des utilisations impropres peuvent être source de dangers ou de dommages aux personnes et aux choses.
- Ne pas effectuer de modifications sur aucune partie si elles ne sont pas prévues dans ces instructions; des opérations de ce type peuvent seulement entraîner des problèmes de fonctionnement. NICE décline toute responsabilité pour les dommages dérivant de produits modifiés.

• F210B doit fonctionner exclusivement par interpolation directe TX-RX; l'utilisation par réflexion est interdite.

- La photocellule doit être fixée de manière permanente sur une surface rigide et sans vibrations.
- Pour les connexions électriques, utiliser des conducteurs adéquats conformément aux indications des notices des logiques de commande.
- Les photocellules F210B peuvent être connectées uniquement à des logiques avec technologie "BlueBus".

Avertissements particuliers sur l'appropriation à l'utilisation de ce produit par rapport à la Directive "Compatibilité électromagnétique" 89/336/CEE et modifications successives 92/31/CEE et 93/68/CEE: Ce produit a été soumis aux essais relatifs à la compatibilité électromagnétique dans les situations d'utilisation les plus critiques, dans les configurations prévues dans ce manuel d'instructions et associé avec les articles présents dans le catalogue de produits de Nice S.p.A. La compatibilité électromagnétique pourrait ne pas être garantie si le produit est utilisé dans des configurations ou avec d'autres produits non prévus; l'utilisation du produit dans ces situations est interdite tant que l'installateur n'a pas vérifié la conformité aux critères prévus par la directive.

## 2) Description et application

Les photocellules orientables F210B sont des détecteurs de présence (type D selon la norme EN 12453) utilisables dans les automatismes pour portails et permettent de détecter des obstacles présents sur l'axe optique entre l'émetteur (TX) et le récepteur (RX). Les photocellules sont munies d'un type de communication "BlueBus" qui permet une connexion aisée de tous les dispositifs à la logique de commande, avec seulement deux fils. Les photocellules sont simplement connectées toutes en parallèle et on sélectionne les cavaliers d'adressage suivant la fonction désirée (voir tableau 1).

Avec la possibilité d'orientation de 210° sur l'axe horizontal et de 30° sur l'axe vertical, F210B est également utilisable dans les cas où les surfaces de fixation ne permettent pas un alignement TX-RX correct (voir fig. 1).

Les photocellules F210B sont utilisables avec la nouvelle série de dispositifs "F210B" (voir figures 2 et 3). FT210B est un dispositif avec technologie "BlueBUS" qui permet de résoudre le problème des connexions électriques de bords sensibles placés sur les vantaux en mouvement (pour une description détaillée, nous renvoyons à la notice technique d'utilisation du dispositif FT210B).

## 3) Installation

**⚠ Toutes les opérations d'installation doivent être effectuées sans tension dans l'installation; si la batterie tampon est présente, il faut la déconnecter.**

- Vérifier attentivement que les paramètres d'utilisation sont compatibles avec les données figurant dans le chapitre "caractéristiques techniques". En cas de doute, ne pas utiliser le produit et demander des éclaircissements au service après-vente Nice.

Procéder à l'installation, en vérifiant les points suivants:

1. Selon le type d'automatisme, positionner les photocellules suivant les fonctions de détection. Vérifier dans les figures 2, 3, 4 et 5, les positions prévues et mettre les cavaliers comme l'indique le tableau 1. Pour éviter les problèmes d'interférence entre les différents dispositifs "BlueBus", placer les émetteurs et les récepteurs des photocellules, suivant les indications des figures 2 et 3. Si la fonction de photocellule comme dispositif d'ouverture est requise (voir figures 2, 3, 4, 5 et les adresses FA1 et FA2 dans le tableau 1), éliminer le cavalier entre les points "A" tant sur TX que sur RX, comme indiqué sur la fig. 6.

2. Suivant les besoins, F210B peut être installée sur une colonne MOCF avec l'accessoire spécifique FA2 (voir figure 7), ou fixée au mur; Si F210B est fixée au mur, l'entrée du câble peut s'effectuer par le fond (voir fig. 8) ou par le bas; il faut alors ajouter un presse-étoupe de type "PG9" (voir fig. 9).
3. Pour faciliter les opérations de fixation, on peut détacher la carte électronique du fond en faisant levier avec un tournevis dans les trois encastresments, comme indiqué sur la figure 10.
4. Effectuer la fixation du récepteur comme indiqué sur la figure 11.
5. Si la distance entre TX et RX est supérieure à 10 m éliminer le cavalier entre les points ">10m" du RX comme indiqué sur la figure 6.
6. Connecter le câble électrique dans les bornes prévues à cet effet aussi bien du TX que du RX. Du point de vue électrique, TX et RX doivent être connectés entre eux (comme indiqué sur la figure 12) et à la borne "BlueBus" des interfaces ou logiques de commande. Il n'est pas nécessaire de respecter une polarité quelconque.
7. Orienter les verres comme indiqué sur la fig. 13 de manière à obtenir un alignement parfait du TX et du RX.

## 4) Adressage et reconnaissance des dispositifs

Le système de communication particulier «BlueBUS» permet, à travers l'adressage avec les cavaliers prévus à cet effet, la reconnaissance des photocellules de la part de la logique et l'attribution de la fonction de détection correcte. L'opération d'adressage doit être faite aussi bien sur TX que sur RX (en plaçant les cavaliers de la même manière) en vérifiant qu'il n'y a pas d'autres paires de photocellules ayant la même adresse.

1. Adresser les photocellules suivant la fonction désirée en mettant les cavaliers comme l'indique le tableau 1. Placer les éventuels cavaliers non utilisés dans le logement prévus à cet effet pour des utilisations futures, comme dans la figure 14.

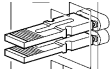
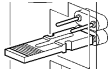
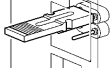
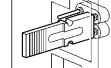
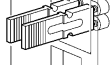
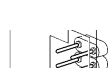
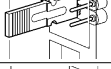
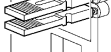

**Note:** Pour la description détaillée des différentes fonctions effectuées pour chaque type d'adressage, nous renvoyons aux notices des logiques et interfaces de commande avec technologie «BlueBus».

**Note:** Pour éviter les problèmes d'interférence entre les différents dispositifs «BlueBus», placer les émetteurs et les récepteurs des photocellules, suivant les indications des figures 2 et 3.

2. Sur la logique de commande, procéder à la programmation des dispositifs, suivant les indications du paragraphe «reconnaissance des dispositifs connectés» présent dans la notice des différentes interfaces ou logiques de commande «BlueBus».

**Note:** Si la photocellule est utilisée en remplacement d'une photocellule existante, les cavaliers devront être mis exactement dans la même position que pour la photocellule remplacée et la phase de reconnaissance d'est pas nécessaire.

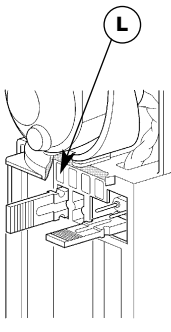
3. Si nécessaire, améliorer l'alignement en intervenant sur l'orientation des verres du TX et du RX comme indiqué sur la fig. 13. Suivre la signalisation de la led L1 (Ir Level) plus le clignotement est lent et meilleur est l'alignement; le réglage idéal s'obtient quand la led L1 clignote lentement avec un maximum de 3 clignotements/ seconde.

Tableau 1			
Photocellule	Cavaliers	Photocellule	Cavaliers
FOTO		FOTO 2	
FOTO II		FOTO 2 II	
FOTO 1		FOTO 3	
FOTO 1 II			
FA1 (éliminer le cavalier A sur TX et RX, comme sur la fig. 6)		FA2 (éliminer le cavalier A sur TX et RX, comme sur la fig. 6)	

## 5) Essai et contrôle du fonctionnement

Après la phase de reconnaissance, vérifier que la led sur la photocellule effectue des clignotements (aussi bien sur TX que sur RX). Vérifier dans le tableau 2, l'état de la photocellule suivant le type de clignotement de la led "L".

Tableau 2

	LED "L"	État	Action
	Éteinte	La photocellule n'est pas alimentée ou est en panne	Vérifier que sur les bornes de la photocellule, une tension d'environ 8-12 Vcc est présente; si la tension est correcte, la photocellule est probablement en panne
	3 clignotements rapides et 1 seconde de pause	Dispositif non reconnu par la logique de commande	Répéter la procédure de reconnaissance par la logique de commande. Vérifier que toutes les paires de photocellules ont des adresses différentes
	Clignotement très lent	Le TX transmet régulièrement. Le RX reçoit un excellent signal	Fonctionnement normal
	Clignotement lent	Le RX reçoit un bon signal	Fonctionnement normal
	Clignotement rapide	Le RX reçoit un signal faible	Fonctionnement normal mais il est bon de vérifier l'alignement TX-RX et la propreté des verres de protection
	Clignotement très rapide	Le RX reçoit un mauvais signal	Il est à la limite du fonctionnement normal, il faut vérifier l'alignement TX-RX et la propreté des verres de protection
	Toujours allumée	Le RX ne reçoit aucun signal	Vérifier que la led sur le TX effectue un clignotement très lent. Vérifier s'il y a un obstacle entre TX et RX; vérifier l'alignement TX - RX

**Attention:** après avoir ajouté ou remplacé des photocellules, il faut effectuer de nouveau l'essai de tout l'automatisme suivant les instructions des diverses notices techniques.

Pour le contrôle des photocellules et en particulier pour contrôler qu'il n'y a pas d'interférences avec d'autres dispositifs, passer un cylindre d'un diamètre de 5 cm et d'une longueur de 30 cm sur l'axe optique, d'abord à proximité de TX, puis de RX, et enfin au centre entre les deux (voir figure 15) et vérifier que dans tous les cas le dispositif intervient en passant de l'état d'actif à l'état

d'alarme et vice versa; enfin qu'il provoque dans la logique l'action prévue, par exemple: dans la manœuvre de fermeture, vérifier que cette action provoque l'inversion du mouvement.

Le contrôle conformément à la norme EN 12445 de F210B comme détecteur de présence optique (type D) doit être fait avec le corps d'épreuve 700x300x200 mm à 3 faces noir mat et 3 faces blanc brillant ou bien avec faces réfléchissantes comme l'indique la figure 16 et suivant les prescriptions du chapitre 7 de la norme EN 12445:2000 (ou annexe A dans prEN 12445:2005).

## 6) Maintenance

Les photocellules ne nécessitent pas de soins particuliers, mais il faut effectuer un contrôle au moins tous les 6 mois pour vérifier leur état (présence d'humidité, oxydation, etc.); à cette occasion, il faut nettoyer le boîtier ainsi que les verres et refaire l'essai de fonctionnement suivant les indications du

paragraphe précédent. Les photocellules F210B ont été étudiées pour fonctionner dans des conditions normales au moins 10 ans, il est donc bon d'intensifier la fréquence des contrôles de maintenance passée cette période.

### 6.1) Mise au rebut

Comme pour l'installation, à la fin de la durée de vie de ce produit, les opérations de démantèlement doivent être effectuées par du personnel qualifié. Ce produit est constitué de différents types de matériaux, certains peuvent être recyclés et d'autres devront être mis au rebut. Informez-vous sur les systèmes de recyclage ou de mise au rebut prévus par les normes en vigueur dans votre région pour cette catégorie de produit.

**Attention:** certains composants du produit peuvent contenir des substances polluantes ou dangereuses qui pourraient avoir des effets nuisibles sur l'environnement et sur la santé des personnes s'ils n'étaient pas adéquatement éliminés.

Comme l'indique le symbole de la figure 17, il est interdit de jeter ce produit avec les ordures ménagères. Procéder par conséquent à la «collecte différenciée» des composants pour leur traitement conformément aux méthodes prescrites par les normes locales en vigueur ou restituer le produit au vendeur lors de l'achat d'un nouveau produit équivalent.

17



Certains règlements locaux peuvent appliquer de lourdes sanctions en cas d'élimination prohibée de ce produit.

## 7) Caractéristiques techniques

Dans le but d'améliorer les produits, Nice S.p.a. se réserve le droit d'en modifier à tout moment et sans préavis les caractéristiques techniques, en garantissant dans tous les cas le bon fonctionnement et le type d'utilisation prévus.

Note: toutes les caractéristiques techniques se réfèrent à la température de 20°C.

### Photocellules orientables F210B

Type de produit	Détecteur de présence pour automatismes de portails et portes automatiques (type D selon la norme EN 12453) composé d'une paire comprenant un émetteur «TX» et un récepteur «RX»
Technologie adoptée	Interpolation optique directe TX-RX avec rayon infrarouge modulé
Alimentation/sortie	Le dispositif peut être connecté uniquement à des réseaux «BlueBus» duquel il prélève l'alimentation électrique et envoie les signaux de sortie.
Puissance absorbée	1 unité Blue bus
Capacité de détection	Objets opaques situés sur l'axe optique entre TX-RX de dimensions supérieures à 50 mm et vitesse inférieure à 1,6 m/s
Angle de transmission TX	+/- 4° (valeur mesurée à 50 % de la portée)
Angle de réception RX	+/- 3° (valeur mesurée à 50 % de la portée)
Orientabilité de la photocellule F210B	environ 210° dans l'axe horizontal et 30° dans l'axe vertical
Portée utile	10 m ou 30 m (avec cavalier «>10m» coupé) pour un désalignement TX-RX maximum de ± 2° (la portée peut se réduire en cas de conditions météorologiques particulièrement critiques: brouillard, pluie, neige, poussière, etc.)
Portée maximale	20 m ou 60 m (avec cavalier «>10m» coupé) pour un désalignement TX-RX maximum de ± 2° (portée garantie dans des conditions optimales)
Longueur maximale câbles	Jusqu'à 50 m
Possibilité d'adressage	Jusqu'à 7 détecteurs avec fonction de protection et 2 avec fonction de commande d'ouverture. Le synchronisme automatique évite l'interférence entre les différents détecteurs.
Utilisation en atmosphère acide, saline ou potentiellement explosive	Non
Montage	Vertical au mur ou sur une colonnette « MOCF » avec patte de fixation « FA2 »
Indice de protection boîtier	IP44
Température de service	20 ±55°C
Dimensions / poids	46 x 128 h 45mm / 230 g

# 1) Hinweise

Diese Anleitung enthält wichtige Sicherheitsinformationen für die Installation; vor der Installation alle Anweisungen lesen. Dieses Handbuch auch für die Zukunft sorgfältig aufbewahren. Unter Berücksichtigung der Gefahren, die bei Installation und Bedienung von F210B auftreten können, muss die Installation für größte Sicherheit unter voller Einhaltung von Gesetzen, Vorschriften und Verordnungen erfolgen.

**Nach der neuesten europäischen Gesetzgebung, gehört die Automatisierung einer Tür oder eines Tors zu den Verordnungen der Richtlinie 98/37/CE (Maschinenrichtlinie) und insbesondere zu den Vorschriften: EN 13241-1 (harmonisierte Norm); EN 12445; EN 12453 und EN 12635, die es erlauben, die Konformität mit der Maschinenrichtlinie zu erklären.**

Weitere Auskünfte und Hinweise zur Analyse der Risiken und der Realisierung der Technischen Unterlagen stehen im Internet unter "www.niceforyou.com" zur Verfügung. Die vorliegende Anleitung ist nur für technisches, zur Installation qualifiziertes Personal bestimmt; keine im vorliegenden Heft enthaltene Information ist als interessant für den Endbenutzer zu betrachten!

- Ein Gebrauch von F210B, der anders als in diesen Anweisungen vorgesehen ist, ist verboten. Ein unsachgemäßer Gebrauch kann Gefahren und Personen- oder Sachschäden verursachen.
- Keine Änderungen an beliebigen Teilen ausführen, falls nicht im vorliegenden Handbuch vorgesehen. Vorgänge dieser Art können nur Betriebsstörungen

verursachen. NICE lehnt jegliche Haftung für Schäden aufgrund geänderter Produkte ab.

- F210B darf ausschließlich durch direkte Interpolation zwischen TX und RX funktionieren; ein Gebrauch durch Rückstrahlung ist untersagt.
- Die Photozelle muss bleibend auf einer festen, vibrationsfreien Oberfläche befestigt werden.
- Für die elektrischen Anschlüsse geeignete Leiter verwenden, wie in den Anleitungen der Steuerungen angegeben.
- Die Photozellen F210B können nur an Steuerungen mit "BlueBus" Technologie angeschlossen werden.

Besondere Hinweise über die Eignung dieses Produktes mit Bezugnahme auf die Richtlinie 89/336/CEE "Elektromagnetische Verträglichkeit" und spätere Änderungen 92/31/CEE und 93/68/CE: dieses Produkt in den in der vorliegenden Anleitung vorgesehenen Konfigurationen und in Kombination mit den von Nice S.p.A. hergestellten Artikeln im Katalog wurde unter den schwierigsten Einsatzbedingungen Tests der elektromagnetischen Verträglichkeit unterzogen. Die elektromagnetische Verträglichkeit könnte nicht garantiert sein, wenn das Produkt in anderen Konfigurationen oder mit anderen, nicht vorgesehenen Produkten benutzt wird; der Gebrauch des Produktes in solchen Situationen ist untersagt, bis der die Installation Ausführende die Übereinstimmung mit den laut Richtlinie vorgesehenen Anforderungen überprüft hat.

# 2) Produktbeschreibung und Einsatz

Die schwenkbaren Photozellen F210B sind Präsenzdetectoren (Klasse D gemäß Norm EN12453), Die an Automatismen für Tore verwendet und mit denen Hindernisse auf der optischen Achse zwischen Sender (TX) und Empfänger (RX) wahrgenommen werden können. Die Photozellen sind mit "BlueBus" Kommunikation ausgestattet, die einen einfachen Anschluss aller Vorrichtungen mit nur zwei Leitern an der Steuerung ermöglicht. Alle Photozellen werden einfach parallel geschaltet; die Adressierungsüberbrückungen (siehe Tabelle 1) werden je nach gewünschter Funktion ausgewählt.

Da F210B horizontal um 210° und vertikal um 30° geschwenkt werden kann, kann die Vorrichtung auch dort benutzt werden, wo eine korrekte Fluchtung von TX mit RX aufgrund der Befestigungsflächen nicht möglich wäre (siehe Abb. 1). Die Photozellen F210B können zusammen mit den neuen Vorrichtungen "FT210B" benutzt werden (siehe die Abb. 2 und 3). FT210B ist eine Vorrichtung mit "BlueBUS" Technologie, mit der das Problem der elektrischen Anschlüsse von Schaltleistung an sich bewegenden Torflügeln gelöst werden kann (für eine genauere Beschreibung wird auf die Anleitung der Vorrichtung FT210B verwiesen).

# 3) Installation

**⚠ Alle Installationsarbeiten müssen ohne Spannung zur Anlage ausgeführt werden; die Pufferbatterie, falls vorhanden, muss abgetrennt werden.**

- Genau prüfen, dass die Einsatzparameter mit den Angaben im Kapitel "Technische Merkmale" übereinstimmen. Das Produkt im Zweifelsfall nicht benutzen und beim technischen Service von NICE Erläuterungen einholen.

Vor der Installation müssen folgende Kontrollen ausgeführt werden:

1. Die Photozellen je nach Automatisierungstyp und gewünschter Wahrnehmungsfunktion anbringen. In den Abbildungen 2, 3, 4 und 5 die vorgesehenen Positionen überprüfen und die Überbrückungen gemäß Tabelle 1 ausführen. Um Interferenzprobleme zwischen den verschiedenen "BlueBus" Vorrichtungen zu vermeiden, die Sender und Empfänger der Photozellen wie auf den Abbildungen 2 und 3 gezeigt anordnen. Wenn die Photozelle als Öffnungsvorrichtung funktionieren soll (siehe Abb. 2, 3, 4 und 5 und die Adressierungen FA1 und FA2 in Tabelle 1), muss die Überbrückung zwischen "A" sowohl an TX als auch an RX durchgeschnitten werden, wie auf Abbildung 6 gezeigt.

2. Je nach Bedarf kann F210B mit Hilfe des Zubehörs FA2 auf einer Standsäule MOCF installiert (siehe Abbildung 7) oder an der Mauer befestigt werden. Wenn F210B an der Mauer befestigt wird, kann das Kabel von der Hinterseite (siehe Abbildung 8) oder von unten eingeführt werden; in diesem Fall muss ein Kabelhalter des Typs "PG9" hinzugefügt werden (siehe Abbildung 9).
3. Um die Befestigung zu erleichtern, kann die elektronische Karte von der Rückseite getrennt werden, indem mit einem Schraubenzieher an den drei Einspannstellen angehoben wird - siehe Abb. 10.
4. Den Empfänger wie in Abb. 11 gezeigt befestigen.
5. Sollte der Abstand zwischen TX und RX über 10m betragen, die Überbrückung zwischen den Stellen ">10m." von RX durchschneiden - siehe Abb. 6.
6. Das Stromkabel an den dazu vorgesehenen Klemmen von TX und RX anschließen. TX und RX müssen miteinander parallel geschaltet (wie auf Abb. 12 gezeigt) und an Klemme "BlueBus" der Schnittstellen bzw. Steuerungen angeschlossen werden. Eine Polung ist nicht zu beachten.
7. Die Linsen wie in Abb. 13 gezeigt ausrichten, so dass TX einwandfrei mit RX gefluchtet ist.

# 4) Adressierung und Erlernung der Vorrichtungen

Das besondere Kommunikationssystem "BlueBUS" ermöglicht durch die Adressierung mit speziellen Überbrückungen die Erkennung der Photozellen seitens der Steuerung und die Zuteilung der korrekten Wahrnehmungsfunktion. Die Adressierung muss sowohl an TX als auch an RX ausgeführt werden (wobei die Überbrückungen auf dieselbe Art anzuordnen sind). Überprüft werden muss, dass andere Photozellenpaare nicht dieselbe Adresse haben.

1. Die Photozellen je nach gewünschter Funktion adressieren; die Überbrückungen gemäß Tabelle 1 ausführen. Die eventuell nicht benutzten Überbrückungen für zukünftige Anwendungen im dazu vorgesehenen Abteil unterbringen (siehe Abb. 14).

**Anmerkung:** Für eine genauere Beschreibung der mit jedem Adressierungstyp ausgeführten, verschiedenen Funktionen wird auf die Anleitungen der Steuerungen und Schnittstellen mit "BlueBus" Technologie verwiesen.

**Anmerkung:** Um Interferenzprobleme zwischen den verschiedenen "BlueBus" Vorrichtungen zu vermeiden, die Sender und Empfänger der Photozellen wie auf den Abbildungen 2 und 3 gezeigt anordnen.

2. An der Steuerung das Programmierverfahren der Vorrichtungen ausführen, wie in "Erlernung der angeschlossenen Vorrichtungen" in der Anleitung der verschiedenen "BlueBus" Schnittstellen oder Steuerungen angegeben.

**Anmerkung:** Wenn die Photozelle als Ersatz einer bereits vorhandenen benutzt wird, müssen die Überbrückungen genau wie in der ersetzten Photozelle ausgeführt werden; eine Erlernung ist in diesem Fall nicht notwendig.

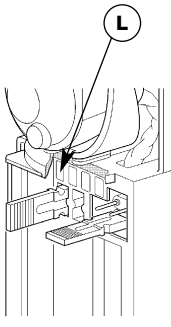
3. Ggf. die Fluchtung der Linsen von TX und RX optimieren - siehe Abb. 13. Die Anzeigen der LED L1 (Ir Level) beachten: je langsamer die LED blinkt, umso besser ist die Fluchtung; die optimale Einstellung hat man, wenn L1 langsam, max. 3 Mal pro Sekunde blinkt.

Tabelle 1			
Photozelle	Überbrückungen	Photozelle	Überbrückungen
FOTO		FOTO 2	
FOTO II		FOTO 2 II	
FOTO 1		FOTO 3	
FOTO 1 II			
FA1 (Überbrückung A an TX und RX durchschneiden, wie in Abb. 6)		FA2 (Überbrückung A an TX und RX durchschneiden, wie in Abb. 6)	



## 5) Überprüfung der Funktionsweise und Abnahme

Nach der Erlernung muss geprüft werden, dass die LED an der Photozelle (sowohl an TX als auch an RX) blinkt. In Tabelle 2 den Status der Photozelle je nach dem Blinken der LED "L" überprüfen.

	LED "L"	Status	Handlung
	Aus	Photozelle nicht versorgt oder defekt	Prüfen, dass eine Spannung von ca. 8-12 Vdc an den Klemmen der Photozelle anliegt; wenn die Spannung korrekt ist, ist die Photozelle wahrscheinlich defekt.
	3 Mal Schnellblinker und 1 Sekunde Pause	Vorrichtung nicht von der Steuerung erlernt	Das Erlernungsverfahren an der Steuerung wiederholen. Prüfen, dass alle Photozellenpaare verschiedene Adressen haben
	Sehr langsames Blinken	TX überträgt ordnungsgemäß. RX empfängt ein sehr gutes Signal.	Normalbetrieb.
	Langsames Blinken	RX empfängt ein gutes Signal.	Normalbetrieb.
	Schnellblinker	RX empfängt wenig Signal.	Normalbetrieb, aber die Fluchtung zwischen TX und RX und die Sauberkeit der Gläser sollten überprüft werden.
	Sehr schnelles Blinken.	RX empfängt ein sehr schlechtes Signal.	Grenze des Normalbetriebs, die Fluchtung zwischen TX und RX und die Sauberkeit der Gläser müssen überprüft werden.
	Immer ein	RX empfängt gar kein Signal.	Prüfen, dass die LED an TX sehr langsam blinkt. Prüfen, ob ein Hindernis zwischen TX und RX vorhanden ist; die Fluchtung zwischen TX und RX überprüfen.

**Achtung:** nachdem Photozellen hinzugefügt bzw. ersetzt worden sind, muss die Abnahme der ganzen Automatisierung nach den Anweisungen in den Installationsanleitungen erneut ausgeführt werden.

Zur Überprüfung der Photozellen und insbesondere um zu prüfen, dass keine Interferenzen mit anderen Vorrichtungen vorhanden sind, einen 30 cm langen Zylinder mit 5 cm Durchmesser auf der optischen Achse zuerst nah an TX, dann nah an RX und abschließend in ihrer Mitte durchführen (siehe Abbildung 15) und prüfen, dass die Vorrichtung in allen Fällen ausgelöst wird und vom aktiven

Zustand auf den Alarmzustand übergeht und umgekehrt; abschließend prüfen, dass in der Steuerung die für den Automatismus vorgesehene Handlung erfolgt, wie zum Beispiel: während der Schließung eine Umkehrung der Bewegung.

Die Überprüfung von F210B als optischer Präsenzdetektor (des Typs D) gemäß Norm EN 12445 muss mit einem 700x300x200mm großen Parallelfläch mit 3 matt-schwarzen Seiten und 3 weißglänzenden Seiten oder 3 Spiegelseiten ausgeführt werden, wie in Abb. 16 angegeben und in Kap. 7 der Norm EN 12445:2000 (oder Anlage A in prEN12445:2005) verlangt.

## 6) Wartung

Die Photozellen bedürfen keiner besonderen Wartung, ihr Zustand (Vorhandensein von Feuchtigkeit, Roststellen, usw.) muss aber mindestens alle 6 Monate kontrolliert werden, mit Reinigung des Außengehäuses sowie erneuter Durchführung der im vorherigen Kapitel beschriebenen Abnahme. Die

Photozellen F210B wurden entwickelt, um unter normalen Bedingungen mindestens 10 Jahre zu funktionieren; nach dieser Zeit sollte die Wartung häufiger ausgeführt werden.

### 6.1) Entsorgung

Wie die Installationsarbeiten muss auch die Abrüstung am Ende der Lebensdauer dieses Produktes von Fachpersonal ausgeführt werden. Dieses Produkt besteht aus verschiedenen Stoffen, von denen einige recycelt werden können. Informieren Sie sich über die Recycling- oder Entsorgungssysteme, die für diese Produktkategorie von den örtlich gültigen Vorschriften vorgesehen sind.

**Achtung:** bestimmte Teile des Produktes können Schadstoffe oder gefährliche Substanzen enthalten, die, falls in die Umwelt gegeben, schädliche Wirkungen auf die Umwelt und die Gesundheit der Menschen haben könnten.

Wie durch das Symbol in Abb. 17 angegeben, ist es verboten, dieses Produkt zum Haushaltsmüll zu geben. Daher differenziert nach den Methoden entsorgen, die von den örtlich gültigen Verordnungen vorgesehen sind, oder das Produkt dem Verkäufer beim Kauf eines neuen, gleichwertigen Produktes zurückgeben.



Die örtlichen Verordnungen können schwere Strafen im Fall einer widerrechtlichen Entsorgung dieses Produktes vorsehen.

## 7) Technische Merkmale

Für eine Verbesserung der Produkte behält sich NICE S.p.A. das Recht vor, die technischen Merkmale jederzeit und ohne vorherige Benachrichtigung zu ändern, wobei aber die vorgesehenen Funktionalitäten und Einsätze garantiert bleiben.  
Anmerkung: alle technischen Merkmale beziehen sich auf eine Temperatur von 20°C.

Schwenkbare Photozellen F210B	
Produkttyp	Präsenzdetektor für Automatismen automatischer Türen und Tore (Klasse D gemäß Norm EN 12453), bestehend aus Paar Sendern (TX) und Empfänger (RX).
Angewendete Technologie	Optische Direktinterpolation von TX und RX mit moduliertem Infrarotstrahl
Versorgung/Ausgang	Die Vorrichtung kann nur an "BlueBus" Netze angeschlossen werden, denen sie die elektrische Versorgung entnimmt und die Ausgangssignale sendet.
Leistungsaufnahme	1 BlueBUS Einheit
Wahrnehmungsvermögen	Matte Gegenstände auf der optischen Achse zwischen TX und RX mit einer Größe über 50 mm und einer Geschwindigkeit unter 1,6m/s
Übertragungswinkel von TX	+/- 4° (bei 50% der Reichweite gemessener Wert)
Empfangswinkel von RX	+/- 3° (bei 50% der Reichweite gemessener Wert)
Schwenkbarkeit der Photozelle F210B	ca. 210° horizontal, 30° vertikal
Nutzreichweite	10m oder 30m mit durchgeschnittener Überbrückung ">10m" bei einer Nichtfluchtung zwischen TX und RX von max. ± 2° (die Reichweite kann sich bei besonders schlechten Wetterbedingungen wie Nebel, Regen, Schnee, Staub, usw. weiter reduzieren)
Max. Reichweite	20m oder 60m mit durchgeschnittener Überbrückung ">10m" bei einer Nichtfluchtung zwischen TX und RX von max. ± 2 (unter optimalen Bedingungen garantierte Reichweite)
Max. Kabellänge	bis 50 m
Mögliche Adressierung	bis zu 7 Detektoren mit Schutzfunktion und 2 mit Öffnungsfunktion. Der automatische Synchronismus verhindert Interferenzen zwischen den verschiedenen Detektoren.
Benutzung in säure- und salzhaltiger oder potentiell explosionsgefährdeter Umgebung	Nein
Montage	Vertikale Wandmontage oder auf Standsäule "MOCF" mit Befestigungsbügel "FA2"
Schutzart Gehäuse	IP44
Betriebstemperatur	20 ÷ 55°C
Abmessungen / Gewicht	46 x 128 h 45mm / 230 g

## 1) Advertencias

Este manual de instrucciones contiene informaciones importantes en materia de seguridad para la instalación, es necesario leer detenidamente todas las instrucciones antes de comenzar la instalación. Conserve este manual en buenas condiciones para su consultación posterior.

Considerando los peligros que pueden generarse durante la instalación y el uso de F210B, para la seguridad máxima es necesario que la instalación sea realizada respetando plenamente las leyes, normas y reglamentos.

**Según la legislación europea más reciente, la automatización de una puerta o cancela entra en el ámbito de las disposiciones de la Directiva 98/37/CE (Directiva de Máquinas) y, en particular, en las normas: EN 13241-1 (norma armonizada); EN 12445; EN 12453 y EN 12635, que permiten declarar la conformidad con la directiva de máquinas.**

Más informaciones, directrices para el análisis de los riesgos y para la realización del Expediente Técnico están disponibles en: "www.niceforyou.com". Este manual está destinado únicamente al personal técnico cualificado para la instalación; ninguna información contenida en este expediente puede ser considerada de interés para el usuario final.

- Está prohibido utilizar F210B para una finalidad diferente de aquella dispuesta en estas instrucciones; un uso inadecuado puede ser peligroso o causar daños a las personas o bienes.

- No modifique ninguna parte salvo si está previsto en estas instrucciones; los trabajos de este tipo pueden causar solamente desperfectos; NICE no es responsable de los daños que deriven de productos modificados.
- F210B debe funcionar solamente por interpolación directa TX-RX; está prohibido utilizarla por reflexión.
- La fotocélula debe fijarse de manera permanente sobre una superficie rígida y sin vibraciones.
- Para las conexiones eléctricas utilice conductores adecuados tal como indicado en los manuales de las centrales.
- Las fotocélulas F210B pueden conectarse sólo a las centrales dotadas de tecnología "BlueBus".

Advertencias especiales sobre la idoneidad para el uso de este producto con relación a la Directiva "Compatibilidad Electromagnética" 89/336/CEE y modificación siguiente 92/31/CEE y 93/68/CEE: este producto ha sido sometido a los ensayos en materia de compatibilidad electromagnética en las situaciones de uso más duras, en las configuraciones previstas en este manual de instrucciones y en combinación con los artículos presentes en el catálogo de productos de Nice S.p.A. Si el producto se utiliza con configuraciones o con otros productos no previstos, podría perderse la garantía de la compatibilidad electromagnética; en dichas condiciones, está prohibido el uso del producto hasta que la persona que efectúa la instalación haya verificado que responde a los requisitos previstos por la directiva.

## 2) Descripción y uso previsto

Las fotocélulas orientables F210B son detectores de presencia (tipo D según la norma EN 12453) que pueden utilizarse en automatismos para cancelas, permitiendo detectar obstáculos presentes en el eje óptico entre el transmisor (TX) y el receptor (RX).

Las fotocélulas están dotadas de un tipo de comunicación "BlueBus" que permite conectar fácilmente a la central todos los dispositivos con sólo dos cables. Todas las fotocélulas se conectan simplemente en paralelo y, según la función requerida, se seleccionan los puentes de direccionamiento (véase la tabla 1).

Dado que es posible orientarlo a 210° sobre el eje horizontal y 30° sobre el eje vertical, el F210B también puede utilizarse donde las superficies de fijación impiden una alineación correcta entre TX y RX (véase la figura 1).

Las fotocélulas F210B se utilizan junto con la nueva serie de dispositivos "FT210B" (véanse las figuras 2 y 3). FT210B es un dispositivo con tecnología "BlueBUS" y permite resolver el problema de las conexiones eléctricas de bandas sensibles montadas en hojas en movimiento (para una descripción detallada, consulte el manual de uso del dispositivo FT210B).

## 3) Instalación

**⚠ Todas las operaciones de instalación se realizan sin tensión en la instalación; si hay montada una batería compensadora hay que desconectarla.**

- Controle detenidamente que los parámetros de utilización correspondan con los datos indicados en el capítulo "características técnicas". Si tuviera dudas, no utilice el producto y pida aclaraciones al servicio de asistencia técnica de Nice.

Proceda con la instalación, controlando los siguientes puntos:

1. De acuerdo con el tipo de automatización, coloque las fotocélulas según las funciones de detección. Controle en las figuras 2, 3, 4 y 5 las posiciones previstas y coloque los puentes de conexión según la tabla 1.  
Para obviar los problemas de interferencia entre los diferentes dispositivos "BlueBus", coloque los transmisores y los receptores de las fotocélulas como se muestra en las figuras 2 y 3. Si fuera necesaria la función de fotocélula como dispositivo de apertura (véanse las figuras 2, 3, 4 y 5 y las direcciones FA1 y FA2 en la tabla 1), corte el puente de conexión entre los puntos "A" del TX y del RX, como indicado en la fig. 6

2. Según las necesidades, F210B puede instalarse en una columna MOCF con el accesorio específico FA2 (véase la figura 7) o bien puede fijarse a la pared. Si F210B se fija a la pared, el cable puede entrar por el fondo (véase la figura 8) o desde abajo; en este caso es necesario añadir un prensaestopas tipo "PG9" (véase la figura 9).
3. Para facilitar la fijación es posible separar la tarjeta electrónica del fondo, haciendo palanca con un destornillador en los tres encastres, tal como indicado en la figura 10.
4. Fije el receptor tal como indicado en la figura 11.
5. Si la distancia entre TX y RX es superior a 10 m, corte el puente de conexión entre los puntos "> 10 m." del RX, tal como indicado en la fig. 6
6. Conecte el cable eléctrico a los bornes del TX y del RX. Desde el punto de vista eléctrico, TX y RX se conectan en paralelo entre sí (como muestra la figura 12) y al borne "BlueBus" de las interfaces o centrales de mando. No es necesario respetar la polaridad.
7. Oriente las lentes como indicado en la figura 13, para obtener la mejor alineación posible entre TX y RX.

## 4) Direccionamiento y aprendizaje de los dispositivos

El sistema de comunicación "BlueBus" permite, mediante el direccionamiento con los puentes de conexión, el reconocimiento de las fotocélulas por parte de la central y asignar la función correcta de detección. La operación de direccionamiento se realiza tanto en el TX como en el RX (colocando los puentes de conexión de la misma manera), comprobando que no haya otros pares de fotocélulas con la misma dirección.

1. Direccionar las fotocélulas según la función requerida colocando los puentes según la tabla 1. Los puentes que no se usen se guardan en el compartimento reservado a tal fin, para poder ser utilizados posteriormente, como muestra la figura 14.

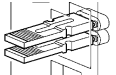
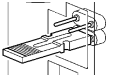
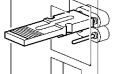
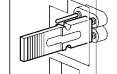
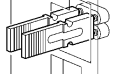
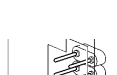
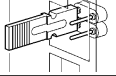
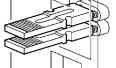
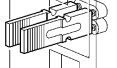
**Nota:** para la descripción detallada de las diversas funciones efectuadas en cada tipo de direccionamiento, véanse los manuales de uso de las centrales e interfaz de mando con tecnología "BlueBus".

**Nota:** para obviar los problemas de interferencia entre los diferentes dispositivos "BlueBus", coloque los transmisores y los receptores de las fotocélulas como se muestra en las figuras 2 y 3.

2. En la central realice la programación de los dispositivos, tal como indicado en el párrafo "Aprendizaje dispositivos conectados" en el manual de uso de las interfaces y centrales de mando "BlueBus".

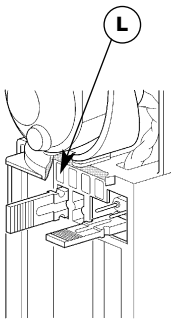
**Nota:** si la fotocélula se utiliza para sustituir una existente, los puentes de conexión deben colocarse exactamente como estaban en la fotocélula sustituida y no es necesario el aprendizaje.

3. Si hubiera que mejorar la alineación, modifique la orientación de las lentes del TX y del RX, tal como indicado en la figura 13. Siga las señales del led L1 (Ir Level): cuanto menor es la velocidad de parpadeo mejor es la alineación; la regulación ideal se obtiene cuando el led L1 parpadea lentamente, máximo 3 parpadeos por segundo.

Tabla 1			
Fotocélula	Puentes de conexión	Fotocélula	Puentes de conexión
FOTO		FOTO 2	
FOTO II		FOTO 2 II	
FOTO 1		FOTO 3	
FOTO 1 II			
FA1 (corte el puente de conexión A en TX y RX, como en la fig. 6)		FA2 (corte el puente de conexión A en TX y RX, como en la fig. 6)	

## 5) Ensayo y control del funcionamiento

Después de la etapa de aprendizaje, controle que el LED de la fotocélula parpadee (tanto en TX como en RX). Controle en la tabla 2 el estado de la fotocélula en función del tipo de destello del led "L".

	LED "L"	Estado	Acción
	Apagado	La fotocélula no está alimentada o está averiada	Controle que en los bornes de la fotocélula haya una tensión de alrededor de 8-12 Vdc; si la tensión es correcta es probable que la fotocélula esté averiada.
	3 parpadeos rápidos y 1 segundo de pausa	Dispositivo no reconocido por la central de mando	Repita el procedimiento de aprendizaje en la central. Controle que todos los pares de fotocélulas tengan direcciones diferentes.
	Parpadeo muy lento	El TX transmite regularmente. El RX recibe una señal óptima	Funcionamiento normal
	Parpadeo lento	El RX recibe una señal buena	Funcionamiento normal
	Parpadeo rápido	El RX recibe una señal escasa	Funcionamiento normal pero habría que controlar la alineación TX-RX y que los vidrios de las fotocélulas estén limpios
	Parpadeo muy rápido	El RX recibe una señal pésima	Está al límite del funcionamiento normal, hay que controlar la alineación TX-RX y que los vidrios de las fotocélulas estén limpios
	Siempre encendido	El RX no recibe ninguna señal	Controle que el LED en el TX parpadee muy lentamente. Controle si hay un obstáculo entre TX y RX; controle la alineación TX - RX

**Atención:** después de haber añadido o sustituido alguna fotocélula, es necesario realizar nuevamente el ensayo del automatismo de acuerdo con las indicaciones del manual de instalación.

Para controlar las fotocélulas y, especialmente, para que no haya interferencias con otros dispositivos, pase un cilindro de 5 cm de diámetro y 30 cm de longitud por el eje óptico, primero cerca del TX y después cerca del RX y, por último, por el centro entre los dos puntos (véase la figura 15) y controle que el dispositivo siempre se accione pasando del estado activo al estado de alar-

ma y viceversa; por último, provoque en la central la acción prevista, por ejemplo: en la maniobra de cierre provoque la inversión de movimiento

Según la norma EN 12445, el control del dispositivo F210B como detector de presencia óptico (tipo D) debe hacerse con el paralelepípedo de ensayo de 700x300x200 mm, con 3 lados de color negro mate y 3 lados de color blanco brillante o bien pulidos, tal como indicado en la figura 16 y según lo mencionado en el capítulo 7 de la norma EN 12445:2000 (o bien en el anexo A de la norma prEN 12445:2005).

## 6) Mantenimiento

Las fotocélulas no requieren de cuidados particulares, pero es necesario controlar cada 6 meses su estado (presencia de humedad, oxidación, etc.), limpiar el revestimiento externo y las lentes y realizar el ensayo tal como descrito en el

párrafo anterior. Las fotocélulas F210B han sido diseñadas para funcionar en condiciones normales por lo menos durante 10 años, por lo que es oportuno intensificar la frecuencia de mantenimiento una vez superado dicho período.

### 6.1) Desguace

Al igual que para la instalación, también las operaciones de desguace, al final de la vida útil de este producto, deben ser efectuadas por personal cualificado. Este producto está formado de diversos tipos de materiales, algunos pueden reciclarse y otros deben ser eliminados. Infórmese sobre los sistemas de reciclaje o de eliminación del producto respetando las normas locales vigentes para este tipo de categoría de producto.

**Atención:** algunas partes del producto pueden contener sustancias contaminantes o peligrosas; si se abandonarán en el medio ambiente podrían ser perjudiciales para el ambiente y para la salud de las personas.

Como indicado por el símbolo de la figura 17, está prohibido arrojar este producto en los residuos domésticos. Para la eliminación, realice la recogida diferencial, según los métodos previstos por las reglas locales, o bien entregue el producto al vendedor cuando compre un nuevo producto equivalente.



Las reglas locales pueden prever sanciones importantes en el caso de eliminación abusiva de este producto.

## 7) Características técnicas

Nice S.p.a., a fin de mejorar sus productos, se reserva el derecho de modificar las características técnicas en cualquier momento y sin previo aviso, garantizando la funcionalidad y el uso previstos.

Nota: todas las características técnicas se refieren a una temperatura de 20°C

Fotocélulas orientables F210B	
Tipo de producto	Detector de presencia para automatismos de puertas y portones automáticos (tipo D según la norma EN 12453) compuesto de un par de transmisor "TX" y receptor "RX"
Tecnología adoptada	Interpolación óptica directa TX-RX con rayo infrarrojo modulado
Alimentación/salida	El dispositivo puede conectarse sólo a redes "BlueBus" desde las que obtiene su alimentación eléctrica y envía las señales de salida.
Potencia absorbida	1 unidad Blue Bus
Capacidad de detección	Objetos opacos situados en el eje óptico entre TX-RX con dimensiones mayores que 50mm y velocidad menor que 1,6m/s
Ángulo de transmisión TX	+/- 4° (valor medido al 50% del alcance)
Ángulo de recepción RX	+/- 3° (valor medido al 50% del alcance)
Orientabilidad de la fotocélula F210B	alrededor de 210° en el eje horizontal y 30° en el eje vertical
Alcance útil	10 m o 30 m con puente de conexión ">10m" cortado; con desalineación TX-RX máxima ± 2° (el alcance podría disminuir aún más en el caso de fenómenos atmosféricos muy intensos: niebla, lluvia, nieve, polvo, etc.)
Alcance máximo	20 m o 60 m con puente de conexión ">10m" cortado; con desalineación TX-RX máxima ± 2° (alcance garantizado en condiciones ideales)
Longitud máxima de los cables	Hasta 50 m
Posibilidad de direccionamiento	Hasta 7 detectores con función de protección y 2 con función de mando de apertura. La sincronización automática evita la interferencia entre los diferentes detectores
Empleo en atmósfera ácida, salobre o con riesgo de explosión	No
Montaje	Vertical en pared o sobre columna "MOCF" con estribo de fijación "FA2"
Grado de protección de la caja	IP44
Temperatura de funcionamiento	20 ±55°C
Medidas / peso	46 x 128 h 45mm / 230 g

## 1) Ostrzeżenia

Ta instrukcja zawiera ważne informacje dotyczące bezpieczeństwa podczas instalowania, należy się z nią zapoznać przed rozpoczęciem prac instalacyjnych. Niniejszą instrukcję należy przechowywać w celu ewentualnej, przyszłej konsultacji. Biorąc pod uwagę niebezpieczeństwa, jakie mogą wystąpić podczas instalowania i użytkowania F210B, dla zwiększenia bezpieczeństwa, instalacja musi odpowiadać przepisom, normom i uregulowaniom prawnym.

**Według obowiązujących przepisów europejskich, wykonanie drzwi lub bramy automatycznej musi być zgodne z Dyrektywą 98/37/CE (Dyrektywa Maszynowa), a w szczególności musi odpowiadać normom: EN 13241-1 (norma zharmonizowana); EN 12445; EN 12453 i EN 12635, które pozwalają na wystawienie deklaracji zgodności produktu z dyrektywą maszyn.**

Dodatkowe informacje, wytyczne do analiz zagrożeń i Książka Techniczna, są dostępne na: [www.niceforyou.com](http://www.niceforyou.com). Niniejsza instrukcja przeznaczona jest jedynie dla personelu technicznego z odpowiednimi kwalifikacjami do instalowania. Żadne informacje znajdujące się w niniejszej instrukcji nie są skierowane do końcowego użytkownika!

- Użycie F210B do innych celów niż przewidziano w niniejszej instrukcji jest zabronione; użycie niezgodne z przeznaczeniem może spowodować zagrożenie i wyrządzić szkody ludziom oraz uszkodzić inne obiekty.
- Nie wykonywać żadnych zmian i modyfikacji, jeśli nie są one przewidziane w

niniejszej instrukcji; operacje tego rodzaju mogą jedynie spowodować niewłaściwe działanie; NICE nie bierze odpowiedzialności za szkody spowodowane przez zmodyfikowany produkt.

- F210B może funkcjonować tylko przy bezpośrednim kontakcie optycznym TX-RX; zabronione jest użytkowanie z wykorzystaniem lusterka.
- Do połączeń elektrycznych stosować właściwe przewody według wskazań instrukcji centrali.
- Fotokomórki F210B mogą być podłączone jedynie do centrali posiadających technologię „BlueBus”.

Szczególną uwagę należy zwrócić na użytkowanie niniejszego produktu z punktu widzenia dyrektywy o „Zgodności elektromagnetycznej 89/336/CEE wraz z późniejszymi zmianami 92/31/CEE oraz 93/68/CEE: niniejszy produkt został poddany badaniom w zakresie zgodności elektromagnetycznej w skrajnych sytuacjach użytkowania, w konfiguracjach przewidywanych w niniejszej instrukcji użytkownika oraz w połączeniu z artykułami znajdującymi się w katalogu produktów firmy Nice S.p.a. Zgodność elektromagnetyczna może nie być zagwarantowana, jeśli produkt użytkowany będzie w połączeniu z innymi wyrobami nieprzewidywanymi przez producenta; zabronione jest użytkowanie niniejszego produktu w takich sytuacjach póki osoba dokonująca instalacji nie upewni się co do zgodności z wymaganiami zawartymi w dyrektywie.

## 2) Opis i przeznaczenie

Fotokomórki regulowane F210B są wykrywaczami obecności (typu D zgodnie z normą EN12) stosowane w automatyce do bram i służą do odczytu przeszkód znajdujących się w osi optycznej pomiędzy nadajnikiem (TX) i odbiornikiem (RX). Fotokomórki posiadają taki rodzaj połączenia „BlueBus”, który ułatwia podłączenie centrali do wszystkich urządzeń za pomocą tylko dwóch przewodów. Fotokomórki podłączone są równolegle i w zależności od wymaganego działania, podzielone są mostki adresowe (patrz tabela 1). Fotokomórkę F210B można zastosować również tam, gdzie powierzchnie do

mocowania nie są zbyt równe i utrudniają ustawienie TX i RX w linii; można je obrócić je o 210o w płaszczyźnie poziomej oraz o 30o w płaszczyźnie pionowej (patrz rys. 1).

Fotokomórki F210B można zastosować do nowej serii urządzeń „FT210B” (patrz rys 2 i 3). FT210B jest to urządzenie z technologią „BlueBUS”, które służy do rozwiązywania problemów z połączeniami elektrycznymi listew krawędziowych zamontowanych na ruchomych skrzydłach (szczegółowy opis znajduje się w instrukcjach użytkowania urządzenia FT10B).

## 3) Instalowanie

**⚠ Wszystkie czynności wykonywać po odłączeniu centrali od zasilania i akumulatora awaryjnego (gdy jest używany).**

- Uważnie sprawdzić czy parametry użytkowania zgadzają się z danymi znajdującymi się w rozdziale „Dane techniczne”. W przypadku niepewności nie używać produktu i zażądać wyjaśnień w Serwisie Technicznym firmy Nice.

Wykonać instalację według następującej kolejności:

1. W zależności od typu automatyki ustawić fotokomórki odpowiednio do funkcji odczytu. Sprawdzić na podstawie rysunków 2, 3, 4 i 5 pozycje i ustawić mostki zgodnie z tabelą 1. Aby uniknąć problemy interferencji pomiędzy poszczególnymi urządzeniami „BlueBus” ustawić nadajniki i odbiorniki fotokomórek tak, jak przedstawiono na rys. 2 i 3. Jeśli zażądana jest funkcja fotokomórki jak urządzenie do otwierania (patrz rysunek 2, 3, 4 i 5, i pozycje FA1 i FA2 w tabeli 1), przyciąć mostek pomiędzy punktami „A” na TX i na RX, jak wskazano na rys. 6
2. W zależności od potrzeb, F210B może być zainstalowana na odpowiedniej

kolumnie MOCF przy pomocy odpowiedniego adaptera FA2 (patrz ilustracja 7) lub może być zamocowana do ściany. F210B może być przymocowana do ściany; w tym przypadku przewód może wejść od spodu (patrz rysunek 8) lub od dołu; w takim przypadku należy zastosować styk typu „PG9” (patrz rysunek 9).

3. Aby ułatwić czynności mocowania można oddzielić płytkę elektroniki od obudowy poprzez podważenie jej śrubokrętem w trzech punktach zaczepu tak, jak pokazano na rysunku 10.
4. Wykonać mocowanie odbiornika tak, jak wskazano na rysunku 11.
5. Jeśli odległość pomiędzy TX i RX jest większa niż 10m przyciąć mostek pomiędzy punktami „> 10m.” RX jak wskazano na rysunku 6.
6. Podłączyć przewód elektryczny do właściwych styków dla TX jak i RX. TX i RX, według zasad elektryki, mają być podłączone pomiędzy sobą równolegle (jak przedstawiono na rysunku 12) i do zacisku „BlueBus” interfejsu lub centrali sterującej. Nie ma potrzeby przestrzegania jakiegokolwiek biegunowości.
7. Ustawić soczewki tak, jak wskazano na rysunku 13 i tak, aby uzyskać jak najlepsze ustawienie TX i RX w jednej linii.

## 4) Adres i autoodczyt urządzeń

Specyficzny system połączenia „BlueBus” służy, przy zastosowaniu adresu i właściwych mostków, rozpoznanie fotokomórek przez centralę i przyznanie prawidłowej funkcji odczytu. Nadawanie adresu ma być wykonane w TX i w RX (tworząc mostki w ten sam sposób) uważając czy nie ma innych par fotokomórek z tym samym adresem.

1. Nadać adres fotokomórkom odpowiednio do żądanej funkcji tworząc mostki według tabeli 1. Ponownie utworzyć ewentualne mostki nie używane w części zapasowej, tak jak wskazano na rysunku 14.

**Uwaga:** Szczegółowy opis poszczególnych funkcji wykonanych przy każdym nadawaniu adresu znajduje się w instrukcjach użytkowania centrali i interfejsu sterowania z technologią „BlueBus”.

**Uwaga:** Aby uniknąć problemy interferencji pomiędzy poszczególnymi urządzeniami „BlueBus” ustawić nadajniki i odbiorniki fotokomórek tak, jak przedstawiono na rys. 2 i 3.

2. Wykonać w centrali procedurę programowania urządzeń tak, jak przedstawiono w paragrafie „Odczyt podłączonych urządzeń” instrukcji użytkowania poszczególnych interfejsów lub centrali sterującej „BlueBus”.

**Uwaga:** Jeśli fotokomórka ma zastąpić istniejącą centralę to mostki mają być ustawione dokładnie tak jak przy poprzedniej fotokomórcie i nie wymaga fazy rozpoznawania.

3. Jeśli jest to konieczne, należy wyregulować ustawienie liniowe regulując soczewki w TX i w RX, tak, jak wskazano na rysunku 13. Kierować się sygnalizacją diody L1 (Ir Level): mniejsza jest prędkość migania to lepsze jest ustawienie liniowe. Optymalne wyregulowanie jest wówczas, kiedy dioda L1 błyska powoli czyli maksymalnie 3 mignięcia na sekundę.

Tabela 1			
Fotokomórka	Mostki	Fotokomórka	Mostki
FOTO		FOTO 2	
FOTO II		FOTO 2 II	
FOTO 1		FOTO 3	
FOTO 1 II			
FA1 (przyciąć mostek A na TX i RX, jak na rysunku. 6)		FA2 (przyciąć mostek A na TX i RX, jak na rysunku. 6)	

## 5) Próby odbiorcze i kontrola działania

Po fazie rozpoznawania sprawdzić czy DIODA w fotokomórce wykona kilka błysnięć (w TX i RX). Porównać z tabelą 2 i ustalić stan fotokomórki na podstawie migania diody „L”.

Tabela 2

	DIODA „L”	Stan	Działanie
	Zgaszona	Fotokomórka nie zasilana lub popsuta	Sprawdzić obecność napięcia w stykach i czy wynosi około 8–12 Vdc; jeśli napięcie jest prawidłowe to możliwe jest, że fotokomórka jest popsuta
	3 szybkie błysnięcia i 1 sekundowa przerwa	Urządzenie nie zaprogramowane w centrali sterowania	Powtórzyć procedurę programowania centrali. Sprawdzić, czy wszystkie pary fotokomórek mają różne adresy.
	Pulsowanie bardzo wolne	TX nadaje prawidłowo. RX prawidłowo odbiera sygnał	Prawidłowe działanie
	Pulsowanie powolne	RX odbiera dobry sygnał	Prawidłowe działanie
	Pulsowanie szybkie	RX odbiera słaby sygnał	Normalne funkcjonowanie ale należy zweryfikować ustawienie w linii TX i RX i stan soczewek
	Pulsowanie bardzo szybkie	RX odbiera sygnał słabo	Funkcjonowanie ledwie normalne i należy zweryfikować ustawienie w linii TX i RX jak i czystość soczewek
	Zawsze włączone	RX nie odbiera żadnego sygnału	Sprawdzić czy DIODA w TX wykonuje bardzo wolne pulsowanie Sprawdzić czy pomiędzy TX i RX jest jakiś przedmiot; sprawdzić ustawienie w linii TX i RX.

**Uwaga:** Po dodaniu lub wymianie fotokomórek należy ponownie dokonać prób odbiorczych całej automatyki według wskazań w instrukcjach instalacji.

W celu dokonania oceny funkcjonowania fotokomórek, a zwłaszcza upewnienia się, że nie mają miejsca zakłócenia innych urządzeń, przesunąć walec o średnicy 5 cm i długości 30 cm przez oś optyczną, najpierw w pobliżu TX, następnie w pobliżu RX a potem w połowie odległości między nimi (patrz rysunek 15) i sprawdzić, czy we wszystkich tych przypadkach urządzenie zadziała przechodząc ze stanu aktywnego do stanu alarmu i odwrotnie; oraz czy

wywołuje w centralce przewidywane czynności; na przykład: podczas ruchu zamykania, czy wywołuje odwrócenie kierunku ruchu.

Kontrola FT210B zgodnie z normą EN 12445, w części związanej z czujnikiem optycznym (typu D) ma być wykonana poprzez zastosowanie równoległościaru próbnego 700x300x200mm mającego 3 boki z jasną i odbijającą powierzchnią oraz 3 boki z ciemną i matową powierzchnią, jak przedstawiono na rysunku 10 i według wymagań znajdujących się w rozdziale 7 wg. normy EN 12445:2000 (lub załącznik A w prEN12445:2005).

## 6) Konserwacja

Fotokomórki nie wymagają specyficznych czynności konserwacyjnych ale co 6 miesięcy należy sprawdzić ich stan (wilgotność plamy utleniania, itp.), należy więc wyczyścić obudowę zewnętrzną i soczewki tak, jak opisano w poprzednim paragrafie. Fotokomórki F210B zostały opracowane do pracy w warunkach normalnych

przez co najmniej 10 lat, należy więc po tym okresie częściej dokonywać konserwacji urządzenia.

### 6.1) Zbyt

Tak, jak w przypadku instalowania, tak po upływie okresu użytkowania tego produktu czynności demontażu powinny być wykonywane przez wykwalifikowany personel. Wyrób ten składa się z różnego rodzaju materiałów, niektóre z nich mogą być odzyskane, inne muszą zostać utylizowane, należy zasięgnąć informacji na temat systemów recyklingu lub utylizacji przewidywanych dla tego rodzaju produktu przez lokalne przepisy.

**Uwaga:** niektóre części wyrobu mogą zawierać substancje zanieczyszczające lub stwarzające zagrożenie, jeśli trafią one do środowiska, mogą wywołać skutki szkodliwe dla niego i dla zdrowia ludzkiego.

Jak wskazuje symbol z rys. 17 zabrania się wyrzucać ten produkt wraz z odpadkami domowymi. Należy przeprowadzić „zbiórkę selektywną” na potrzeby utylizacji zgodnie ze sposobami przewidzianymi w miejscowych przepisach lub zwrócić produkt do sprzedawcy z chwilą zakupu nowego, równoważnego wyrobu.

17



Miejscowe przepisy mogą przewidywać ciężkie sankcje w przypadku samowolnej utylizacji tego wyrobu.

## 7) Dane techniczne

W celu zapewnienia stałej poprawy własnych wyrobów NICE S.p.a zastrzega sobie prawo do zmiany danych technicznych w dowolnym czasie i bez uprzedniego zawiadomienia pod warunkiem jednak zachowania takiej samej funkcjonalności i przeznaczenia.

Uwaga: wszystkie dane techniczne nawiązane są do temperatury 20°C.

Fotokomórki regulowane F210B

Typ produktu	Czujnik obecności dla automatyki rolet lub związanych pionowo drzwi (typu D według normy EN 12453) złożonego z pary nadajników „TX” oraz odbiornika „RX”.
Zastosowana technologia	Bezpośredni kontakt optyczny TX-RX promieniem światła podczerwonego modulowanego
Zasilanie/wyjście	Urządzenie może być podłączone jedynie do sieci „BlueBUS” z której pobiera zasilanie elektryczne i wysyła sygnały wyjściowe.
Prąd pochłaniany	1 jednostka Blue bus
Zdolność odczytu	Przedmioty z ciemną i matową powierzchnią na osi optycznej TX-RX z wymiarami większymi niż 50mm i prędkości mniejszej od 1,6m/s
Kąt transmisji TX	+/-4° (wartość odczytana w 50% zasięgu)
Kąt odbioru RX	+/-3° (wartość odczytana w 50% zasięgu)
Wyregulowanie w ustawieniu fotokomórki F210B	około 210
Zasięg użytkowy	10m lub 30m z mostkiem „>10m” przyciętym; rozstaw osi TX-RX maksymalnie ± 2° (zasięg może zmniejszyć się w przypadku zjawisk atmosferycznych szczególnie intensywnych typu: mgła, deszcz, śnieg, kurz, itp.)
Zasięg maksymalny	20m lub 60m z mostkiem „>10m” przyciętym; rozstaw osi TX-RX maksymalnie ± 2° (w optymalnych warunkach)
Maks. długość przewodów	50 m
Możliwość Nadania adresu	Dla maksymalnie 7 wykrywaczy z funkcją zabezpieczającą i 2 z funkcją polecenia otwierania.
	Synchronizm automatyczny unika interferencji pomiędzy poszczególnymi wykrywaczami.
Użytkowanie w środowisku kwaśnym, słonym lub potencjalnie wybuchowym	Nie
Montaż	Pionowo do ściany lub na kolumnie „MOCF” ze wspornikiem mocującym „FA2”
Stopień zabezpieczenia pojemnik	IP44
Temperatura pracy	20 ±55°C
Wymiary / waga	46 x 128 h 45mm / 230 g

## 1) Aanbevelingen

Deze handleiding met aanwijzingen bevat belangrijke informatie met betrekking tot een veilige installatie; u dient alle aanwijzingen eerst te lezen voordat u met de installatie gaat beginnen. Bewaar deze handleiding zorgvuldig zodat ze ook in de toekomst geraadpleegd kan worden. Met het oog op de gevaren die zich tijdens het installeren en het gebruik van F210B kunnen voordoen, is het voor een zo groot mogelijke veiligheid noodzakelijk dat de installatie met volledige inachtneming van wetten, normen en voorschriften uitgevoerd wordt.

**Volgens de meest recente Europese wetgeving valt de automatisering van een deur of een poort onder de bepalingen van de Richtlijn 98/37/EG (Machinerichtlijn) en met name, onder de normen: EN 13241-1 (geharmoniseerde norm); EN 12445; EN 12453 en EN 12635, op grond waarvan het mogelijk is te verklaren dat de automatisering in overeenstemming met de Machinerichtlijn is**

Verdere inlichtingen, richtlijnen ten aanzien van risico's en het samenstellen van het technisch dossier zijn beschikbaar op: "www.niceforyou.com". Deze handleiding is uitsluitend bestemd voor technisch personeel dat voor de installatie gekwalificeerd is en geen enkele andere informatie die in dit dossier is vervat, kan als interessant voor de eindgebruiker worden beschouwd!

- Ieder ander gebruik van F210B dan van wat in deze aanwijzingen voorzien is, is verboden; oneigenlijk gebruik kan gevaar of schade en letsel aan zaken en mensen veroorzaken.

- Breng geen wijzigingen aan onderdelen aan, indien dit niet in deze handleiding is voorzien. Dergelijke handelingen kunnen alleen maar storingen veroorzaken. NICE wijst elke aansprakelijkheid voor schade tengevolge van gewijzigde artikelen van de hand.
- F210B mag uitsluitend via rechtstreekse interpolatie tussen TX en RX functioneren; gebruik via reflectie is verboden.
- De fotocel dient blijvend op een vaste ondergrond zonder trillingen bevestigd te worden.
- Gebruik de juiste geleiders voor de elektrische aansluitingen zoals u dat in de handleidingen van de besturingseenheden kunt vinden.
- De fotocellen F210B kunnen alleen worden aangesloten op besturingseenheden die met de "BlueBus"-technologie zijn uitgerust.

Bijzondere aanbevelingen ten aanzien van de gebruiksgeschiktheid van dit product in samenhang met de Richtlijn "Elektromagnetische Compatibiliteit" 89/336/EEG en daaropvolgende wijzigingen 92/31/EEG en 93/68/EEG:

Dit product is in de meeste kritieke gebruikssituaties onderworpen aan tests met betrekking tot elektromagnetische compatibiliteit, in de configuraties zoals die in deze handleiding voorzien zijn en in combinatie met de artikelen uit de productencatalogus van Nice S.p.A. De elektromagnetische compatibiliteit zou niet gegarandeerd kunnen worden als het product gebruikt wordt met andere producten, die niet voorzien zijn; het is verboden dit product in deze situaties te gebruiken tot de installateur heeft gecontroleerd of het voldoet aan de in de richtlijn gestelde eisen.

## 2) Beschrijving en gebruiksdoel

De richtbare fotocellen F210B zijn obstakeldetectie-inrichtingen (type D volgens de norm 12453) die gebruikt kunnen worden in automatiseringen voor poorten en die obstakels op de optische as tussen zender (TX) en ontvanger (RX) kunnen constateren. De fotocellen zijn uitgerust met het communicatiesysteem "BlueBus" waarmee alle inrichtingen gemakkelijk met slechts twee draden op de besturingseenheid aangesloten kunnen worden.

De fotocellen worden eenvoudigweg allemaal parallel aangesloten en de adresseringsjumpers worden op basis van de gewenste functie geselecteerd (zie tabel 1). Met de mogelijkheid de inrichting over 210° op de horizontale as

en 30° op de verticale as te richten, kan ze ook gebruikt worden daar waar bevestigingsvlakken een correcte uitlijning tussen TX en RX zouden beletten (zie afbeelding 1).

De fotocellen F210B kunnen samen met de nieuwe serie inrichtingen "F210B" (zie de afbeeldingen 2 en 3) gebruikt worden. FT210B is een inrichting die met de "BlueBUS"-technologie is uitgerust en waarmee het mogelijk is het probleem van de elektrische aansluitingen van contactlijsten op bewegende vleugels op te lossen (voor een gedetailleerde beschrijving gelieve u de gebruikshandleiding van de inrichting FT210B te raadplegen).

## 3) Installeren

**⚠ Alle installatiewerkzaamheden dienen uitgevoerd te worden zonder dat er stroom op de installatie staat; indien er een bufferbatterij aanwezig is, dient deze losgekoppeld te worden.**

- Ga zorgvuldig na of de gebruiksparameters overeenkomen met die welke in het hoofdstuk "technische gegevens" zijn weergegeven. Gebruik in geval van twijfel het product niet en wend u tot de technische servicedienst van Nice om informatie.

Voer nu de installatie uit en controleer de onderstaande punten:

1. Al naar gelang het type automatisering dient u de fotocellen op basis van hun detectiefuncties te plaatsen. Controleer op de afbeeldingen 2, 3, 4 en 5, de plaats en zet de jumpers volgens de tabel 1. Om het hoofd te beiden aan het probleem van interferentie tussen de verschillende "BlueBus"-inrichtingen dient u de zenders en de ontvangers van de fotocellen te plaatsen zoals dat op de afbeeldingen 2 en 3 is aangegeven. Als de fotocel gebruikt moet worden als openingsinrichting (zie de afbeeldingen 2, 3, 4, 5 en de adressen FA1 en FA2 in tabel 1), dient u het bruggetje tussen de punten "A" zowel op de TX als op RX te verbreken, zoals u dan op afb. 6 kunt zien.
2. Indien dat noodzakelijk is kan F210B op het speciaal daarvoor bestemde zuil-

tje met de specifieke FA2 geplaatst worden (zie afbeelding 7) of op de muur bevestigd worden. Wanneer F210B op de muur bevestigd wordt, kan de kabel vanuit de bodem naar binnen komen (zie afbeelding 8) of van beneden af; in dit geval dient u een kabelklem van het type "PG9" te gebruiken (zie afbeelding 9).

3. Om de inrichting gemakkelijker te kunnen bevestigen, is het mogelijk de elektronische kaart van de bodem los te halen door die met een schroevendraaier in de drie inkepingen naar boven te lichten, zoals dat op afbeelding 10 is aangegeven.
4. Bevestig de ontvanger zoals u dat op afbeelding 11 kunt zien.
5. Indien de afstand tussen TX en RX meer dan 10m bedraagt dient u het bruggetje tussen de punten ">10m." van de RX door te breken zoals dat op afb. 6 te zien is.
6. Sluit de elektriciteitskabel aan op de speciale klemmetjes zowel van de TX als van de RX. Uit een elektrisch oogpunt bezien dienen zowel TX als RX onderling parallel (zoals dat op afbeelding 12 is aangegeven) evenals op het klemmetje "BlueBus" van de interfaces of bedieningseenheden verbonden te worden. U behoeft geenszins op de polen te letten
7. Richt de lenzen zoals dat op afbeelding 13 te zien is zodat u een zo goed mogelijke uitlijning tussen TX en RX verkrijgt.

## 4) Adresseren en herkennen van de inrichtingen

Met het bijzondere communicatiesysteem "BlueBus" is het mogelijk door adressering van de speciale jumpers de fotocellen door de bedieningseenheid te laten herkennen en de juiste detectiefunctie toe te kennen. Deze adressering dient zowel op TX als op RX uitgevoerd te worden waarbij u de jumpers op dezelfde manier moet positioneren. Ga hierbij na of er geen andere stellen fotocellen met hetzelfde adres zijn.

1. Adresseer de fotocellen op basis van de gewenste functies door de jumpers te positioneren volgens tabel 1. Leg de eventueel ongebruikte jumpers in het vakje terug zodat u ze eventueel later nog kunt gebruiken (zie afbeelding 14).

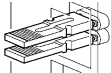
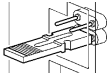
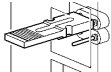
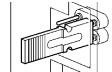
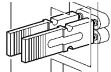

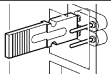
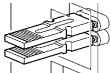
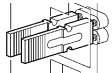
**N.B.:** Voor een gedetailleerde beschrijving van de verschillende functies die bij de verschillende soorten adressering worden uitgevoerd, verwijzen wij u naar de gebruikshandleiding voor bedieningseenheden en interfaces voorzien van de "BlueBus"-technologie.

**N.B.:** Om het hoofd te beiden aan het probleem van interferentie tussen de verschillende "BlueBus"-inrichtingen dient u de zenders en de ontvangers van de fotocellen te plaatsen zoals dat op de afbeeldingen 2 en 3 is aangegeven.

2. Programmeer de inrichtingen op de besturingseenheid, zoals dat weergegeven is in de paragraaf "Herkennen van de aangesloten inrichtingen" van de gebruikshandleiding van de verschillende bedieningsinterfaces of bedieningseenheden "BlueBus".

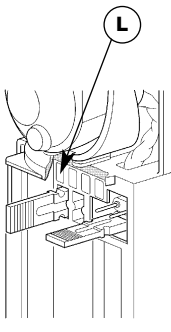
**N.B.:** Als de fotocel gebruikt wordt ter vervanging van een reeds bestaande dienen de jumpers precies zo geplaatst te worden als dat bij de vervangen fotocel het geval was en is het niet nodig de herkenningfase uit te voeren.

3. Zo nodig kunt de uitlijning verbeteren door de lenzen op de TX en de RX te richten, zoals u kunt zien op afbeelding 13. Volg de signalering van het ledlampje L1 (Ir Level): hoe kleiner de snelheid is, hoe beter de uitlijning; optimale afstelling is er wanneer het ledlampje L1 langzaam knippert, met ten hoogste 3 knipperingen per seconde.

Fotocel	Jumpers	Fotocel	Jumpers
FOTO		FOTO 2	
FOTO II		FOTO 2 II	
FOTO 1		FOTO 3	
FOTO 1 II			
FA1 (verbreek het bruggetje A op TX en RX, zoals op afb. 6 te zien is)		FA2 (verbreek het bruggetje A op TX en RX, zoals op afb. 6 te zien is)	

## 5) Eindtest en controle van de werking

Controleer na het inprenten of het ledlampje op de fotocel knippert (zowel op TX als RX). Controleer in tabel 2 de status van de fotocel op grond van de manier waarop het ledlampje "L" knippert.

Tabel 2			
	LED "L"	Status	Handeling
	Uit	De fotocel wordt niet van stroom voorzien of is defect	Controleer of er op de klemmetjes van de fotocel een spanning van ongeveer 8-12 Vdc staat; als de spanning juist is, is de fotocel waarschijnlijk defect
	3 snelle knipperingen en een pauze van 1 seconde	Inrichting niet door de bedieningseenheid herkend	Voer de procedure voor de inprenting van de besturingseenheid nogmaals uit. Controleer of alle stellen fotocellen een verschillend adres hebben
	Zeer langzaam knipperen	De TX zendt naar behoren uit. De RX ontvangt een uitstekend signaal	Normale werking
	Langzaam knipperen	De RX ontvangt een goed signaal	Normale werking
	Snel knipperen	De RX ontvangt een slecht signaal	Normale werking maar het is raadzaam te controleren of de TX-RX goed uitgelijnd zijn en de glaasjes goed schoon zijn
	Zeer snel knipperen	De RX ontvangt een zeer slecht signaal	Op het randje van een normale werking, maar het is noodzakelijk te controleren of de TX-RX goed uitgelijnd zijn en de glaasjes goed schoon zijn
	Altijd aan	De RX ontvangt geen enkel signaal	Controleer of het ledlampje op de TX langzaam knippert. Controleer of er tussen TX en RX een obstakel is; Controleer of TX-RX op één lijn liggen.

**Let op!** nadat u fotocellen erbij hebt gezet of vervangen hebt dient u de eindtest van de gehele automatisering opnieuw uit te voeren volgens wat in de desbetreffende handleidingen voor de installering is aangegeven.

Om te controleren of de fotocellen goed werken en vooral of er geen interferenties met andere inrichtingen zijn, voert u een cilinder met een diameter van 5 cm en een lengte van 30 cm op de optische as, eerst dicht bij de TX, vervolgens dicht bij de RX en tenslotte in het midden van die twee (zie aft. 15) en ga dan na of de inrichting in alle gevallen in werking treedt en van de actie-

ve status op de alarmstatus overgaat, en omgekeerd; tenslotte controleert u of dat de voorziene reactie in de besturingseenheid oproept, bijvoorbeeld of de deur bij het sluiten de andere kant opgaat

Controle van de optische obstakeldetectie-inrichting (type D) van F210B volgens de norm EN 12445; deze controle dient uitgevoerd te worden volgens de eisen uit hoofdstuk 7 van de norm EN 12445:2000 (of bijlage A in prEN12445:2005) met het testblok 700x300x200mm waarvan 3 vlakken mat zwart zijn en 3 glanzend wit of spiegelend).

## 6) Onderhoud

De fotocellen vereisen geen bijzonder onderhoud, maar tenminste eens per half jaar is het noodzakelijk een controle uit te voeren op de staat daarvan (aanwezigheid van vocht, roestvorming, etc.); bovendien moet dan de buitenkant van het kastje schoongemaakt worden en de eindtest zoals die in de

vorige paragraaf beschreven is, uitgevoerd worden. De fotocellen F210B zijn ontworpen om onder normale omstandigheden tenminste 10 jaar te functioneren; het is raadzaam na afloop van die periode de onderhoudsfrequentie op te voeren.

### 6.1) Afvalverzekering

Wanneer de levensduur van dit product ten einde is, dienen, zoals dit ook bij de installatiewerkzaamheden het geval is, de ontmantelingswerkzaamheden door gekwalificeerd personeel uitgevoerd te worden. Dit product bestaat uit verschillende soorten materialen, waarvan sommige gerecycleerd kunnen worden. Win inlichtingen over de methoden van hergebruik of afvalverwerking in en houd u aan de plaatselijk van kracht zijnde voorschriften.

**Let op!** Sommige elektronische onderdelen zouden vervuilende of gevaarlijke stoffen kunnen bevatten; als die in het milieu terecht zouden komen, zouden ze schadelijke gevolgen voor het milieu en de menselijke gezondheid kunnen hebben.

Zoals u aan het symbool op afbeelding 17 kunt zien, is het verboden dit product met het gewone huisvuil weg te gooien. Scheid uw afval voor verwerking op een manier zoals die in de plaatselijke regelgeving voorzien is; of lever het product bij uw leverancier in wanneer u een nieuw gelijksoortig product koopt.

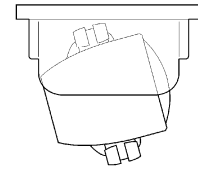
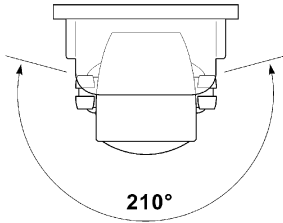
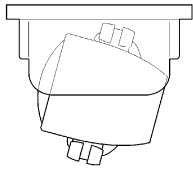


De plaatselijke regelgeving kan in zware straffen voorzien in geval van illegale dumping van dit product.

## 7) Technische gegevens

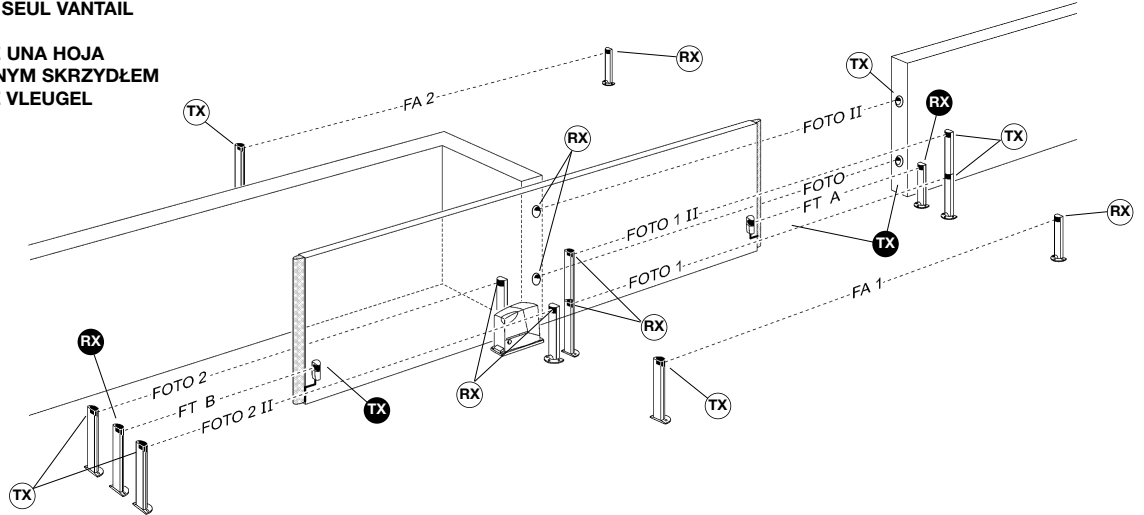
Teneinde haar producten steeds meer te vervolmaken behoudt NICE S.p.a. zich het recht voor op elk gewenst moment en zonder voorbericht wijzigingen in haar producten aan te brengen, waarbij functionaliteit en gebruiksdoel echter gehandhaafd blijven.  
N.B.: alle technische gegevens hebben betrekking op een temperatuur van 20°C.

Richtbare Fotocellen F210B	
Type product	Obstakeldetectie-inrichting voor automatiseringen van automatische poorten en deuren (type D volgens de norm EN 12453) bestaande uit een samenstel van zender "TX" en ontvanger "RX"
Toegepaste technologie	Rechtstreekse optische interpolatie TX-RX met gemoduleerde infrarood straal.
Stroomvoorziening/uitgang	De inrichting kan alleen op een "BlueBus"-net aangesloten worden waarover ze van elektrische stroom voorzien wordt en ze uitgangssignalen verzendt.
Opgenomen vermogen	1 eenheid Blue bus
Waarnemingsvermogen	Ondoorzichtige voorwerpen op de optische as tussen TX-RX die groter dan 50mm zijn en een snelheid van minder dan 1,6m/s hebben.
Zendhoek TX	+/- 4° (waarde gemeten op 50% van het bereik)
Ontvanghoek RX	+/- 3° (waarde gemeten op 50% van het bereik)
Richtbaarheid van de fotocel F210B	210° circa op de horizontale as en 30° op de verticale as
Nuttig bereik	10m of 30m wanneer bruggetje ">10m" doorbroken is; voor afwijking TX-RX maximum ± 2° (Het bereik zou verder kunnen afnemen in geval van bijzonder hevige klimaatsomstandigheden zoals mist, regen, sneeuw, stof, etc.)
Maximumbereik	20m of 60m wanneer bruggetje ">10m" doorbroken is; voor afwijking TX-RX maximum ± 2° (onder optimale omstandigheden)
Maximumlengte kabels	Tot 50 m
Mogelijkheid van adressering	Max. 7 detectie-inrichtingen met beveiligingsfunctie en 2 met de bedieningsfunctie voor het openen De automatische synchronisering voorkomt interferentie tussen de verschillende detectie-inrichtingen
Gebruik in zure, zoute of potentieel explosieve atmosfeer	Nee
Montage	Verticaal aan de wand of op het zultje "MOCF" met bevestigingsbeugel "FA2"
Beschermingsklasse omhulsel	IP44
Bedrijfstemperatuur	20 ± 55°C
Afmetingen / gewicht	46 x 128 h 45mm / 230 g



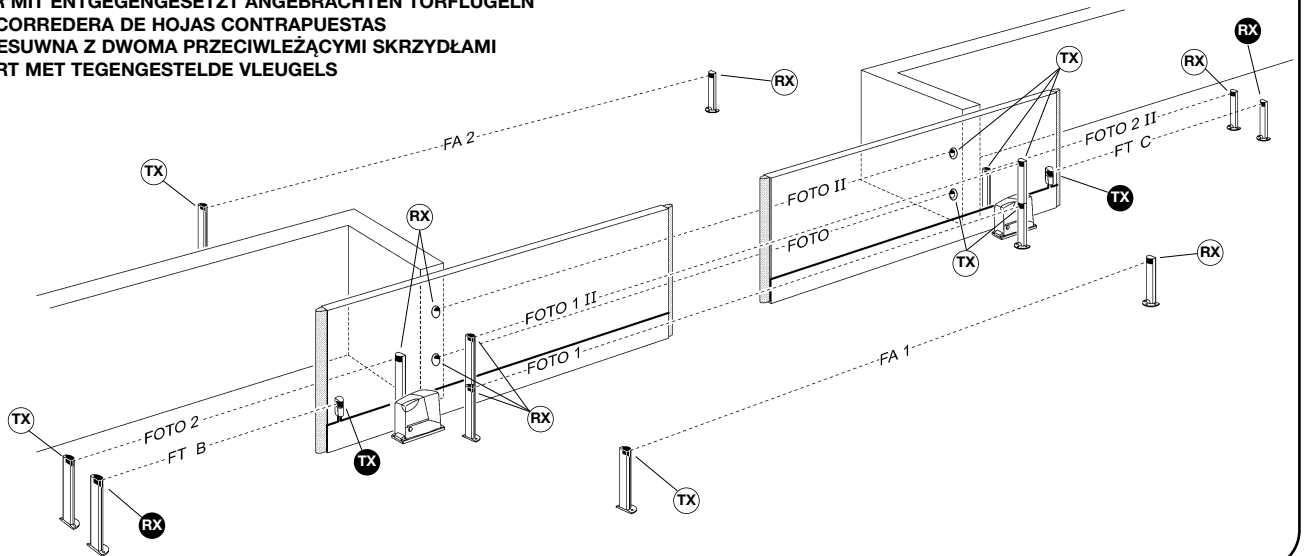
1

**SINGLE LEAF SLIDING GATE**  
**CANCELLO SCORREVOLE AD ANTA SINGOLA**  
**PORTAIL COULISSANT À UN SEUL VANTAIL**  
**EINTEILIGES SCHIEBETOR**  
**PUERTA DE CORREDERA DE UNA HOJA**  
**BRAMA PRZESUWNA Z JEDNYM SKRZYDŁEM**  
**SCHUIFPOORT MET ENKELE VLEUGEL**



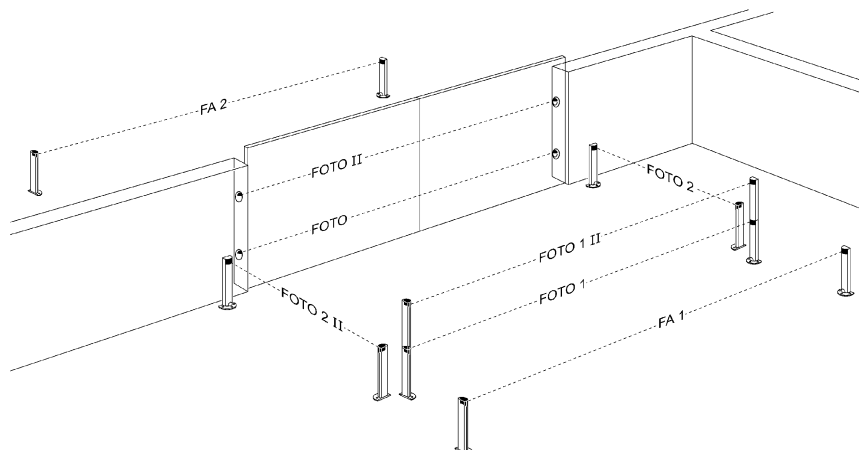
2

**SYNCHRONISED LEAFS SLIDING GATE**  
**CANCELLO SCORREVOLE AD ANTE CONTRAPPOSTE**  
**PORTAIL COULISSANT À VANTAUX OPPOSÉS**  
**SCHIEBETOR MIT ENTGEGENGESETZT ANGEBRACHTEN TORFLÜGELN**  
**PUERTA DE CORREDERA DE HOJAS CONTRAPUESTAS**  
**BRAMA PRZESUWNA Z DWOMA PRZECIWLĘŻĄCYMI SKRZYDŁAMI**  
**SCHUIFPOORT MET TEGENGESTELDE VLEUGELS**



3

**SWING GATE**  
**CANCELLO A BATTENTE**  
**PORTAIL BATTANT**  
**DREHTOR**  
**PUERTA DE BATIENTE**  
**BRAMA SKRZYDŁOWA**  
**KANTELDEUR VOOR GARAGE**

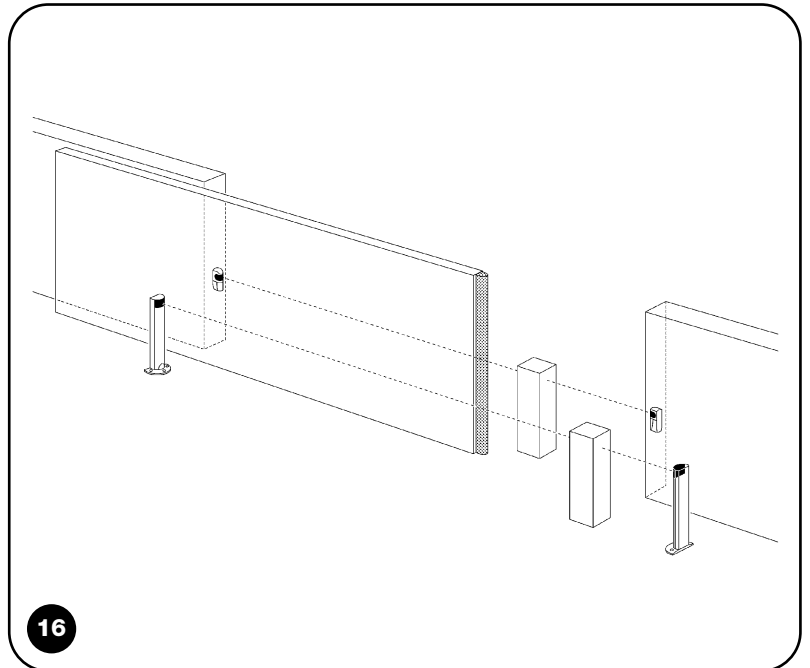
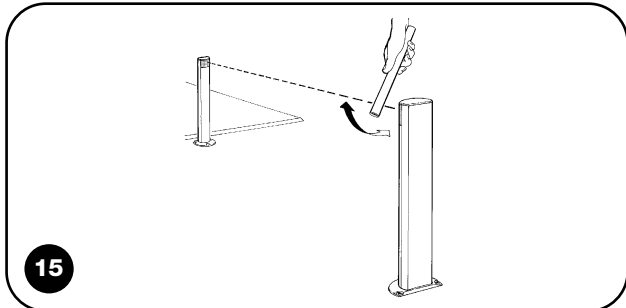
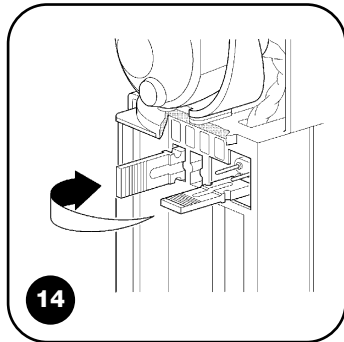
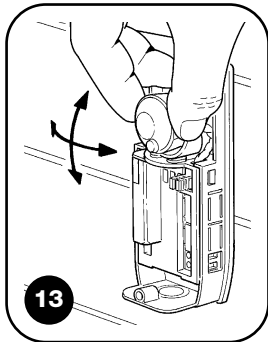
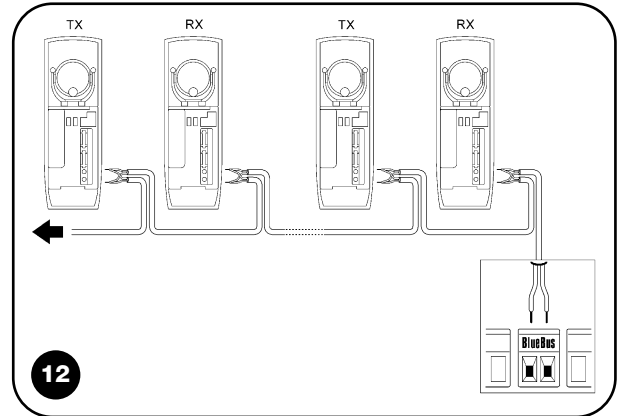
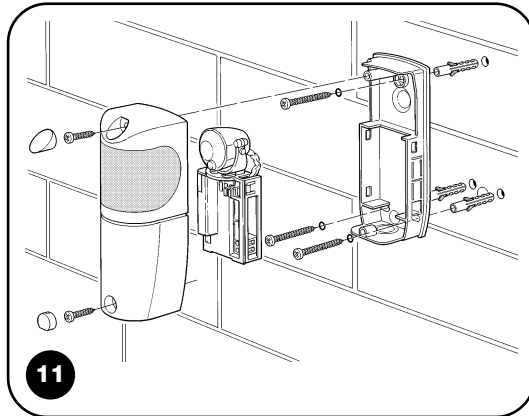
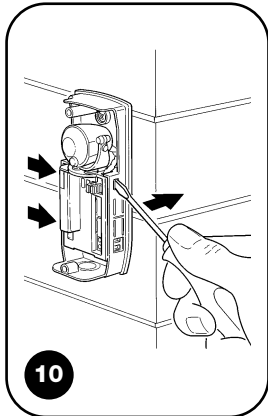
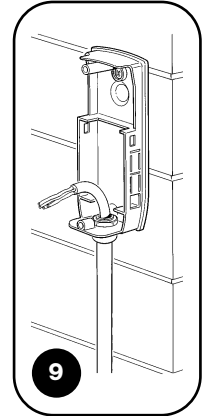
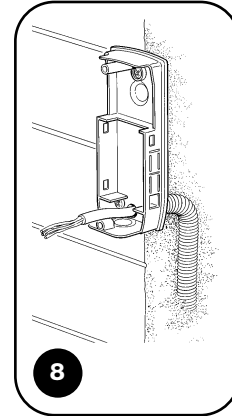
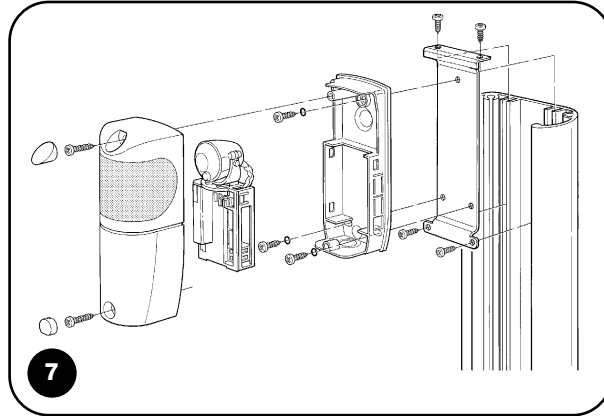
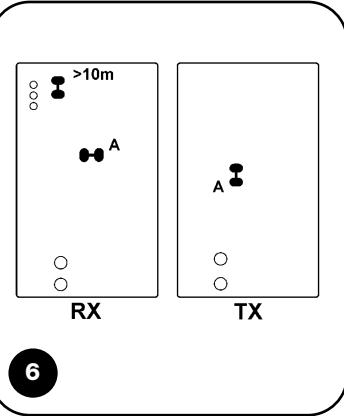
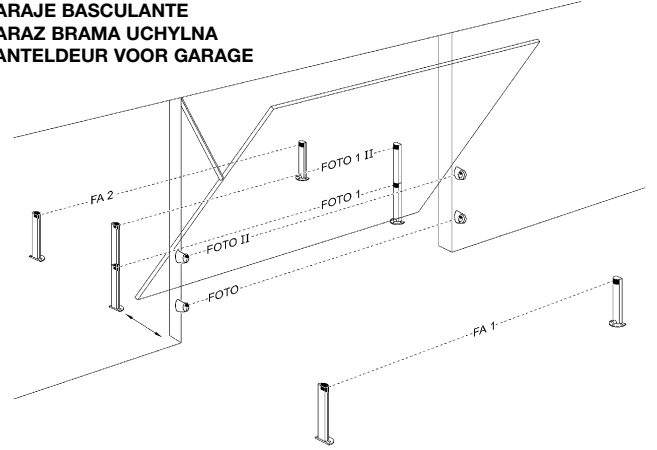
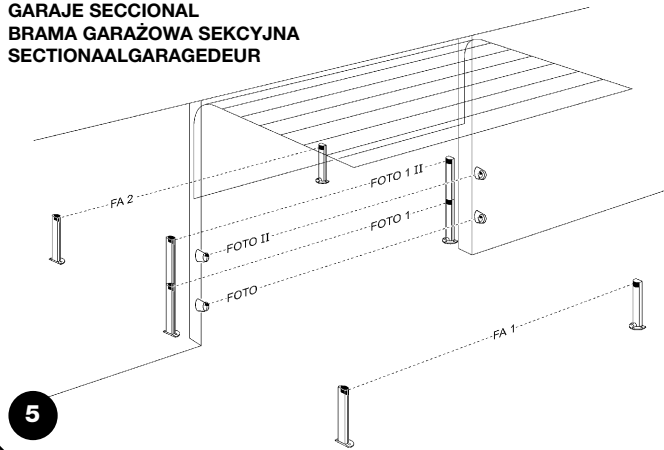


4



SECTIONAL DOOR  
 GARAGE SEZIONALE  
 PORTE SECTIONNELLE  
 SEKTIONALTOR  
 GARAJE SECCIONAL  
 BRAMA GARAŻOWA SEKCYJNA  
 SECTIONAALGARAGEDEUR

UP & OVER GARAGE DOORS  
 GARAGE BASCULANTE  
 PORTE DE GARAGE BASCULANTE  
 GARAGENKIPPTOR  
 GARAJE BASCULANTE  
 GARAZ BRAMA UCHYLNA  
 KANTELDEUR VOOR GARAGE





# Dichiarazione CE di conformità / EC declaration of conformity

(Secondo la Direttiva 89/336/CEE) (According to Directive 89/336/EEC)

**Nota: il contenuto di questa dichiarazione di conformità corrisponde all'ultima revisione aggiornata alla data di edizione del presente documento; eventualmente riadattato per motivi editoriali. La versione integrale ed aggiornata della presente dichiarazione è depositata presso la sede di Nice S.p.a.**

*Note: the content of this declaration of conformity correspond to the last revision updated on the edition date of the present document; readapted for editorial reasons. The integral and updated version of the present document is held at the Head Offices of Nice S.p.a.*

**Numero / Number: 215/F210B**

**Data / Date: 11/10/2005**

**Revisione / Revision: 0**

**Il sottoscritto Lauro Buoro, Amministratore Delegato, dichiara che il prodotto**

*The undersigned Lauro Buoro, General Manager of the following producer, declares that the product*

**Nome produttore / Producer name:**

NICE S.p.a.

**Indirizzo / Address:**

Via Pezza Alta 13, 31046 Z.I. Rustignè - ODERZO - ITALY

**Modello / Model:**

F210B

**Accessori / Accessories:**

Box metallico antivandalico FA1 / *Vandal-proof metal container FA1*

**Risulta conforme a quanto previsto dalle seguenti direttive comunitarie, così come modificate dalla Direttiva 93/68/CEE del consiglio del 22 Luglio 1993:**

*Complies with the following community directives, as modified from Directive 93/68/EEC of the Council of the 22 July 1993.*

- 89/336/CEE; DIRETTIVA 89/336/CEE DEL CONSIGLIO del 3 maggio 1989, per il riavvicinamento delle legislazioni degli Stati membri relative alla compatibilità elettromagnetica. / 89/336/CEE; Council Directive of 3 May 1989 on the approximation of the laws of the Member States relating to Electromagnetic Compatibility).

Secondo le seguenti norme: EN 61000-6-2; EN 61000-6-3 / *Complies with the following standards: EN 61000-6-2; EN 61000-6-3*

Oderzo, 11 Ottobre 2005

  
Amministratore delegato  
(General Manager)  
Lauro Buoro



**Nice SpA**  
Oderzo TV Italia  
Tel. +39.0422.85.38.38  
Fax +39.0422.85.35.85  
info@niceforyou.com

**Nice Padova**  
Sarmeola di Rubano PD Italia  
Tel. +39.049.89.78.93.2  
Fax +39.049.89.73.85.2  
infopd@niceforyou.com

**Nice Roma**  
Roma Italia  
Tel. +39.06.72.67.17.61  
Fax +39.06.72.67.55.20  
inforoma@niceforyou.com

**Nice France**  
Buchelay  
Tel. +33.(0)1.30.33.95.95  
Fax +33.(0)1.30.33.95.96  
info@fr.niceforyou.com

**Nice Rhône-Alpes**  
Decines Charpieu France  
Tel. +33.(0)4.78.26.56.53  
Fax +33.(0)4.78.26.57.53  
info@fr.niceforyou.com

**Nice France Sud**  
Aubagne France  
Tel. +33.(0)4.42.62.42.52  
Fax +33.(0)4.42.62.42.50  
infomarseille@fr.niceforyou.com

**Nice Belgium**  
Leuven (Heverlee)  
Tel. +32.(0)16.38.69.00  
Fax +32.(0)16.38.69.01  
info@be.niceforyou.com

**Nice Romania**  
Cluj Napoca  
info@ro.niceforyou.com

**Nice Deutschland**  
Frankfurt  
info@de.niceforyou.com

**Nice España Madrid**  
Tel. +34.9.16.16.33.00  
Fax +34.9.16.16.30.10  
info@es.niceforyou.com

**Nice España Barcelona**  
Tel. +34.9.35.88.34.32  
Fax +34.9.35.88.42.49  
info@es.niceforyou.com

**Nice Polska**  
Pruszków  
Tel. +48.22.728.33.22  
Fax +48.22.728.25.10  
info@pl.niceforyou.com

**Nice UK**  
Chesterfield  
Tel. +44.87.07.55.30.10  
Fax +44.87.07.55.30.11  
info@uk.niceforyou.com

**Nice China**  
Shanghai  
Tel. +86.21.575.701.46  
+86.21.575.701.45  
Fax +86.21.575.701.44  
info@cn.niceforyou.com

COMPANY  
WITH QUALITY SYSTEM  
CERTIFIED BY DNV  
=ISO 9001/2000=

**Nice Gate** is the doors and gate automation division of Nice

**Nice Screen** is the rolling shutters and awnings automation division of Nice

[www.niceforyou.com](http://www.niceforyou.com)