

NICE SPY

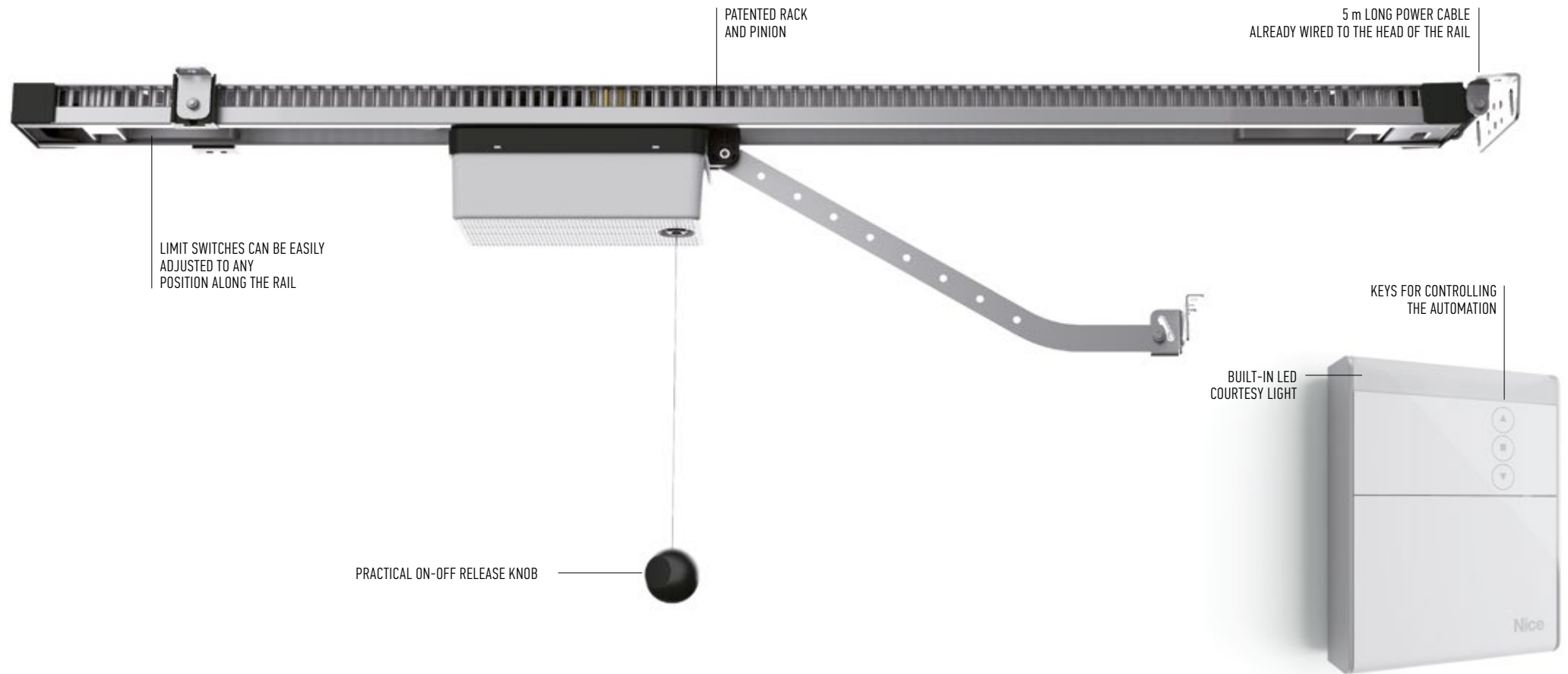
THE PRACTICAL AND SMART
SOLUTION FOR GARAGE DOORS.

The image shows a modern garage interior with a white sectional door partially open. The door is mounted on a dark metal track system. A white remote control is mounted on the left wall. A silver car is parked on the right side of the garage. A window on the right wall shows a view of greenery and red flowers outside. The floor is made of dark grey tiles. The overall aesthetic is clean and modern.

Nice

NICE SPY

THE RANGE OF MOTORS AND CONTROL UNITS
WITH A FUNCTIONAL DESIGN.
IDEAL FOR RESIDENTIAL APPLICATIONS.



**THE NICE TRAVELLING MOTOR
WITH SEPARATE CONTROL UNIT**

**CONTROL UNIT LUMINOUS,
VERSATILE AND EASY TO
PROGRAM**

**THE UTMOST CARE TO DETAILS,
WITH PRACTICAL AND
FUNCTIONAL SOLUTIONS**



QUICK TO INSTALL

The motor moves along a rail containing a rack, **without chains** or other noisy mechanisms to install.

SAFE

24V power supply.

Obstacle detection function that immediately reverses movement of the motor if the garage door should come into contact with an obstacle.

ON/OFF release system that allows the motor to be released or blocked in any position along the rail, all in just one simple move.

HANDY

Separate control unit with **built-in LED courtesy light** and three practical keys to control the automation, always close at hand. More practical and convenient for programming and maintenance.

SMART

Simple and fast basic programming, using the Quick Setup procedure: pressing the opening pushbutton, the control unit independently detects all connected devices and the positions of the motor limit switches.

Simplified advanced programming, using 0-View.

SOLUTIONS IN KIT, COMPLETE AND READY TO USE

Motor, control unit, and one two-channel transmitter are available in the kit.

Three models: 550 N motor (SPY550KCE), 650 N motor with Nice BlueBus (SPY650KCE) and 800 N motor with Nice BlueBus (SPY800KCE).

The rails are available in different sizes: single 3.2 m long rail, or supplied in two 1.6 m sections plus a 0.8 m extension, to simplify all logistics and installation requirements.

SPY 550

OPERA 24V

For sectional doors up to 9 m² and up-and-over doors (including canopy doors) up to 10.5 m².

24 Vdc irreversible electromechanical gear motor for residential use, **transmission with rack on the rail.**

To be combined with SPYRAIL321, SPYRAIL162 and SPYRAIL081 rails.

Functional and stylish: the motor is the only component that moves on the rail, there are no chains or other noisy mechanisms. Ideal for any architectural context.

Handy

Separate control unit: more practical and convenient for programming and maintenance.

Built-in LED courtesy light. Three practical keys to control the automation.

Quick to install

Modular rail with assembly accessories. Limit switches easy to position along the rail with no need to stand and work on the ceiling. No chains or other noisy mechanisms to install.

Easy to program

Simple and fast basic programming, using the Quick Setup procedure. Simplified advanced programming, using 0-View.

ON/OFF release system: pulling the release knob once releases the motor; pulling it a second time blocks the motor again, in any position along the rail.

Inexpensive to run and environmentally-friendly: when connected to the mains in standby mode, the control unit consumes 1.5 W.

Safe: obstacle detection, motor power monitoring during travel, diagnostic messages via flashing light and courtesy light.

Adjustable acceleration and deceleration at the start and end of each manoeuvre.

Ready for installation of the latest generation 8.2 kOhm resistive sensitive edges.

Optimised logistics

For practical management and transport, the rails are available in different sizes: single 3.2 m long rail, or supplied in two 1.6 m sections plus a 0.8 m extension.

CODE	DESCRIPTION
SPY550KCE	KIT FOR THE AUTOMATION OF SECTIONAL AND UP-AND-OVER DOORS, 550 N, WITH SPYBOX CONTROL UNIT AND 1 FLO2RE TRANSMITTER. RAILS NOT INCLUDED

RAIL FOR SPY:

CODE	DESCRIPTION
SPYRAIL321	1 X 3.2 m RAIL WITH ASSEMBLY ACCESSORIES
SPYRAIL162	2 X 1.6 m RAILS WITH ASSEMBLY ACCESSORIES
SPYRAIL081	0.8 m EXTENSION WITH ASSEMBLY ACCESSORIES (TO ADD TO THE OTHER RAILS SO AS TO REACH A LENGTH OF 4 m)

TECHNICAL SPECIFICATIONS

CODE	SPY550KCE
ELECTRICAL DATA	
POWER SUPPLY (Vac 50/60 Hz)	230 ± 10%
CURRENT DRAW (A)	1.2
MAXIMUM POWER (W)	200
POWER IN STANDBY (W)	1.5
PERFORMANCE DATA	
MAXIMUM SPEED (M/S)	0.15
MAXIMUM FORCE (N)	550
NOMINAL FORCE (N)	180
WORKING CYCLE (CYCLES/HOUR)	20
WORKING CYCLE (CYCLES/DAY)	200
DIMENSIONAL AND GENERAL DATA	
INGRESS PROTECTION (IP)	IP40
OPERATING TEMP. (°C MIN/MAX)	-20 ÷ +55
PACK DIMENSIONS (mm)	380x380x125
WEIGHT (kg)	3.2

THE KIT CONTAINS

SPY550
1 X SPY550 GEARMOTOR,
550 N.



SPYBOX
1 CONTROL UNIT WITH
BUILT-IN LED COURTESY LIGHT
AND RECEIVER.



FLO2RE
1 X 433.92 MHz
2 CHANNEL TRANSMITTER.



RAIL TECHNICAL SPECIFICATIONS

CODE	SPYRAIL321	SPYRAIL162	SPYRAIL081*
TYPE	3.2 m (one section)	3.2 m (2 pcs length 1,6 m)	0.8 m (rails to reach length 4 m)
INSTALLED RAIL LENGTH (mm)	3.270		4.075
USEFUL TRAVEL (mm)	2.710		3.515
WEIGHT (kg)	7.5	8.35	3.3
PACK DIMENSIONS (mm)	3.230x110x50	1.760x110x50	960x110x50
ACCESSORIES PACK DIMENSIONS (mm)	400x400x90		

*To be used in combination with SPYRAIL321 e SPYRAIL162 rails

SPY 650/800

SOLEMYO OPERA BLUEBUS 24V

For sectional doors up to 10.5 m² (SPY650) and 12.5 m² (SPY800), up-and-over doors, including canopy doors, up to 11.5 m² (SPY650) and 14 m² (SPY800).

24 Vdc irreversible electromechanical gear motor for residential use, **transmission with rack on the rail.**

To be combined with SPYRAIL321, SPYRAIL162 and SPYRAIL081 rails.

Functional and stylish: the motor is the only component that moves on the rail, there are no chains or other noisy mechanisms. Ideal for any architectural context.

Handy

Separate control unit: more practical and convenient for programming and maintenance.

Built-in LED courtesy light. Three practical keys to control the automation.

Quick to install

Modular rail with assembly accessories. Limit switches easy to position along the rail with no need to stand and work on the ceiling. No chains or other noisy mechanisms to install.

Simple to install with the BlueBus system, requiring just two wires for connection between the control unit and the pairs of photocells and other accessories featuring BlueBus technology.

Easy to program

Simple and fast basic programming, using the Quick Setup procedure. Simplified advanced programming, using 0-View.

ON/OFF release system: pulling the release knob once releases the motor; pulling it a second time blocks the motor again, in any position along the rail.

Inexpensive to run and environmentally-friendly: when connected to the mains in standby mode, the control unit consumes just 0.5 W. When connected to the battery or the Solemyo kit, power consumption in standby mode is reduced to 0.1 W.

No blackouts: operation is guaranteed even when mains power is not available, thanks to the optional PS324 backup battery.

Safe: obstacle detection, motor power monitoring during travel, diagnostic messages via flashing light and courtesy light.

Adjustable acceleration and deceleration at the start and end of each manoeuvre.

Ready for installation of the latest generation 8.2 kOhm resistive sensitive edges.

Optimised logistics

For practical management and transport, the rails are available in different sizes: single 3.2 m long rail, or supplied in two 1.6 m sections plus a 0.8 m extension.

CODE	DESCRIPTION
SPY650KCE	KIT FOR THE AUTOMATION OF SECTIONAL AND UP-AND-OVER DOORS, 650 N, WITH SPYBOXB CONTROL UNIT AND 1 FLO2RE TRANSMITTER. RAILS NOT INCLUDED
SPY800KCE	KIT FOR THE AUTOMATION OF SECTIONAL AND UP-AND-OVER DOORS, 800 N, WITH SPYBOXB CONTROL UNIT AND 1 FLO2RE TRANSMITTER. RAILS NOT INCLUDED

RAIL FOR SPY:

CODE	DESCRIPTION
SPYRAIL321	1 X 3.2 m RAIL WITH ASSEMBLY ACCESSORIES
SPYRAIL162	2 X 1.6 m RAILS WITH ASSEMBLY ACCESSORIES
SPYRAIL081	0.8 m EXTENSION WITH ASSEMBLY ACCESSORIES (TO ADD TO THE OTHER RAILS SO AS TO REACH A LENGTH OF 4 m)

TECHNICAL SPECIFICATIONS

CODE	SPY650KCE	SPY800KCE
ELECTRICAL DATA		
POWER SUPPLY (Vac 50/60 Hz)	230 ± 10%	
CURRENT DRAW (A)	1.4	1.6
MAXIMUM POWER (W)	250	300
POWER IN STANDBY (W)	0.5	0.5
PERFORMANCE DATA		
MAXIMUM SPEED (M/S)	0.15	0.14
MAXIMUM FORCE (N)	650	800
NOMINAL FORCE (N)	200	250
WORKING CYCLE (CYCLES/HOUR)	30	30
WORKING CYCLE (CYCLES/DAY)	300	300
DIMENSIONAL AND GENERAL DATA		
INGRESS PROTECTION (IP)	IP40	
OPERATING TEMP. (°C MIN/MAX)	-20 ÷ +55	
PACK DIMENSIONS (mm)	380x380x125	
WEIGHT (kg)	3.2	3.4

RAIL TECHNICAL SPECIFICATIONS

CODE	SPYRAIL321	SPYRAIL162	SPYRAIL081*
TYPE	3.2 m (one section)	3.2 m (2 pcs length 1,6 m)	0.8 m (rails to reach length 4 m)
INSTALLED RAIL LENGTH (mm)	3.270		4.075
USEFUL TRAVEL (mm)	2.710		3.515
WEIGHT (kg)	7.5	8.35	3.3
PACK DIMENSIONS (mm)	3.230x110x50	1.760x110x50	960x110x50
ACCESSORIES PACK DIMENSIONS (mm)	400x400x90		

*To be used in combination with SPYRAIL321 e SPYRAIL162 rails

THE KIT CONTAINS

SPY650KCE:
1 SPY650 GEARMOTOR, 650 N.

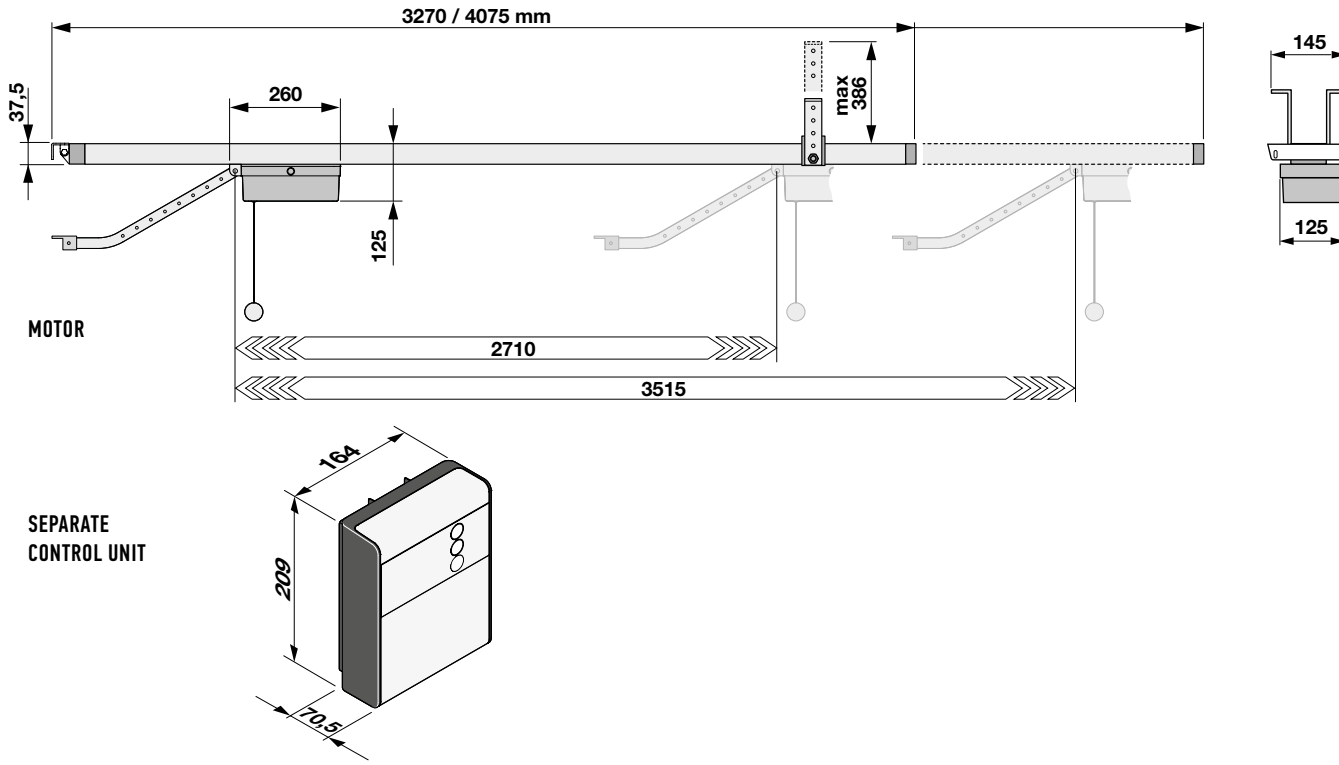
SPY800KCE:
1 SPY800 GEARMOTOR, 800 N.

SPYBOXB
1 CONTROL UNIT WITH BUILT-IN LED COURTESY LIGHT, RECEIVER OR OXI CONNECTION, AND BACKUP BATTERIES.

FLO2RE
1 X 433.92 MHz 2 CHANNEL TRANSMITTER.



DIMENSIONS

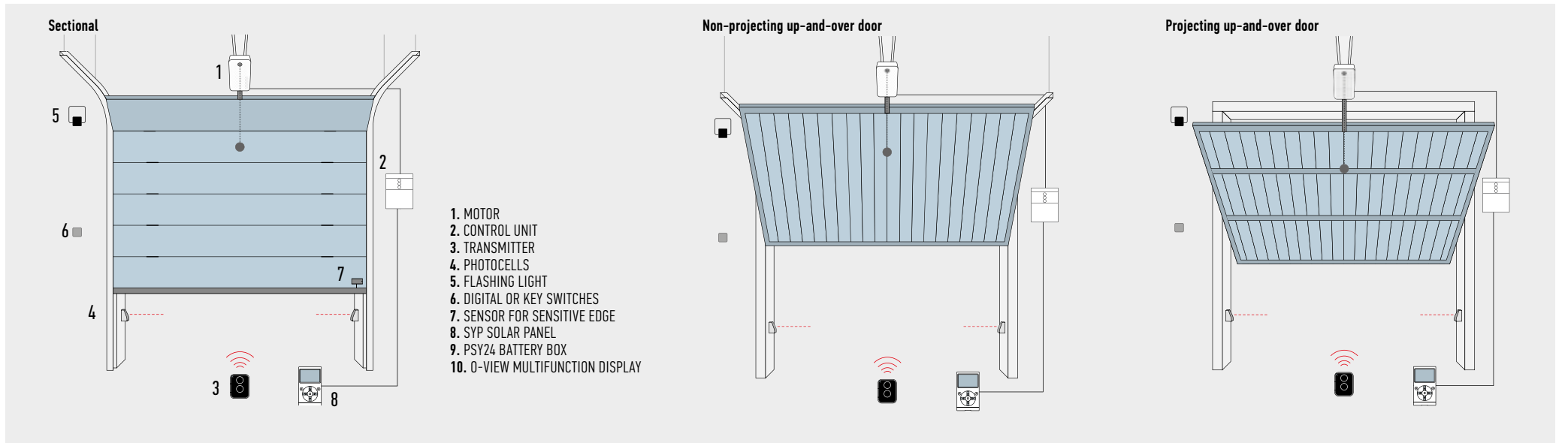


UTILISATION LIMITS

Using the maximum travel

	NON-PROJECTING UP-AND-OVER DOOR (WITH SPA5)		PROJECTING UP-AND-OVER DOOR (WITH SPA5) ACCESSORY OR WITH SPRINGS (WITHOUT SPA5)		SECTIONAL	
	H	W	H	W	H	W
SPY550 with 3.2 m rail	2.3 m	3.5 m	2.8 m	3.5 m	2.5 m	3.6 m
SPY550 with 4 m rail	3.1 m	2.6 m	3.5 m	2.9 m	3.3 m	2.8 m
SPY650 with 3.2 m rail	2.3 m	4 m	2.8 m	4 m	2.5 m	4.2 m
SPY650 with 4 m rail	3.1 m	3 m	3.5 m	3.3 m	3.3 m	3.2 m
SPY800 with 3.2 m rail	2.3 m	5 m	2.8 m	5 m	2.5 m	5 m
SPY800 with 4 m rail	3.1 m	3.7 m	3.5 m	4 m	3.3 m	3.8 m

INSTALLATION DIAGRAM



COMPATIBILITY TABLE WITH CONTROL SYSTEMS AND ACCESSORIES

CODE	RECEIVER			TRANSMITTER				PHOTOCELLS								FLASHING LIGHT						
	Built-in*	SMXI	OXI	ERA INTI	ERA ONE**	ERA FLOR	NICEMAY	TTX4	EPS	EPM	EPL	EPSB	EPMB	EPLB	F210	FT210	F210B	FT210B	EL	EL24	ELB	WLT
SPYBOX	●			●	●	●	●	●	●	●	●				●	●				●	●	●
SPYBOXB	●	●	●	●	●	●	●	●	●	●	●	●	●	●	●	●	●			●	●	●

*Radio receiver incompatible with Opera system

**ERA ONE remote controls, when used with SPYBOX, work as ERA FLOR models.

ACCESSORIES FOR SPY550



SPA5
OSCILLATING ARM SLIDING ON BEARINGS WITH OPTIMISED STRUCTURE FOR PROJECTING UP-AND-OVER DOORS.

PCS./PACK 1



SPA6
LARGE 585 mm LONG CONNECTING ARM.

PCS./PACK 1



K11
OUTSIDE RELEASE KIT WITH METAL PULL-CORD AND LOCK AND KEY.

PCS./PACK 1



SPA2
KIT FOR UNLOCKING FROM THE OUTSIDE WITH CABLE.

PCS./PACK 1



IBT4N
INTERFACE FOR CONNECTING THE 0-VIEW PROGRAMMING UNIT.

PCS./PACK 1



TS
SIGNBOARD.

PCS./PACK 1

ACCESSORIES FOR SPY650 AND SPY800



PS324
24 V BATTERY WITH BUILT-IN BATTERY CHARGER.

PCS./PACK 1



SPA5
OSCILLATING ARM SLIDING ON BEARINGS WITH OPTIMISED STRUCTURE FOR PROJECTING UP-AND-OVER DOORS.

PCS./PACK 1



SPA6
LARGE 585 mm LONG CONNECTING ARM.

PCS./PACK 1



K11
OUTSIDE RELEASE KIT WITH METAL PULL-CORD AND LOCK AND KEY.

PCS./PACK 1



SPA2
KIT FOR UNLOCKING FROM THE OUTSIDE WITH CABLE.

PCS./PACK 1



IBT4N
INTERFACE FOR CONNECTING THE 0-VIEW PROGRAMMING UNIT.

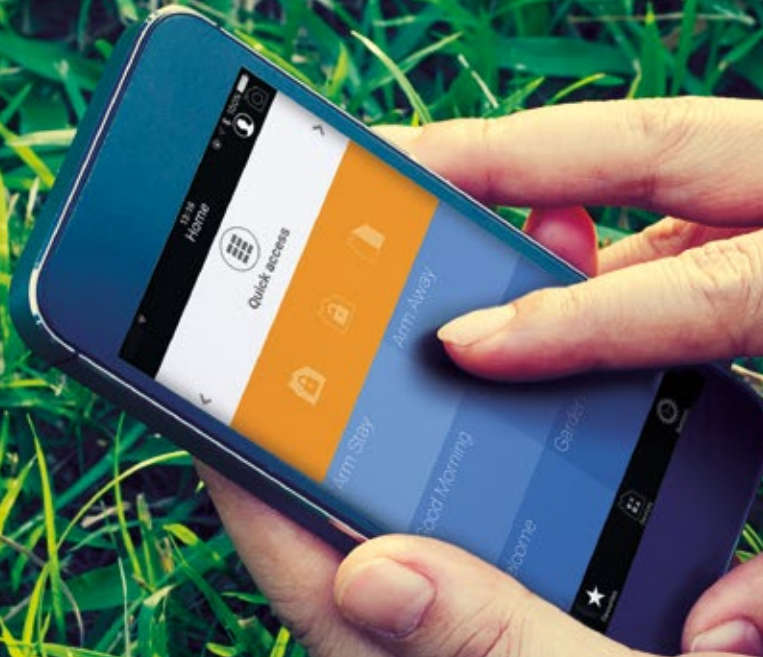
PCS./PACK 1



TS
SIGNBOARD.

PCS./PACK 1

TECHNOLOGY AS SIMPLE AS A GESTURE



NICE, EASY SOLUTIONS FOR HOME AND BUILDING.

SYSTEMS FOR THE AUTOMATION AND CONTROL OF GATES, GARAGE DOORS,
BLINDS, SHUTTERS AND ALARM SYSTEMS, WITH INTEGRATED MANAGEMENT USING SMART
AND INTUITIVE INTERFACES: PRACTICAL, FUNCTIONAL AND ELEGANT SOLUTIONS TO HELP YOU
ENJOY YOUR LIVING SPACES TO THE FULL.

Nice

Nice SpA
Oderzo TV Italia

www.niceforyou.com



NiceLoveEarth

Nice cares for the environment.
Using natural paper it avoids excessive use
of raw materials and forest exploitation.
Waste is reduced, energy is saved
and climate quality is improved.