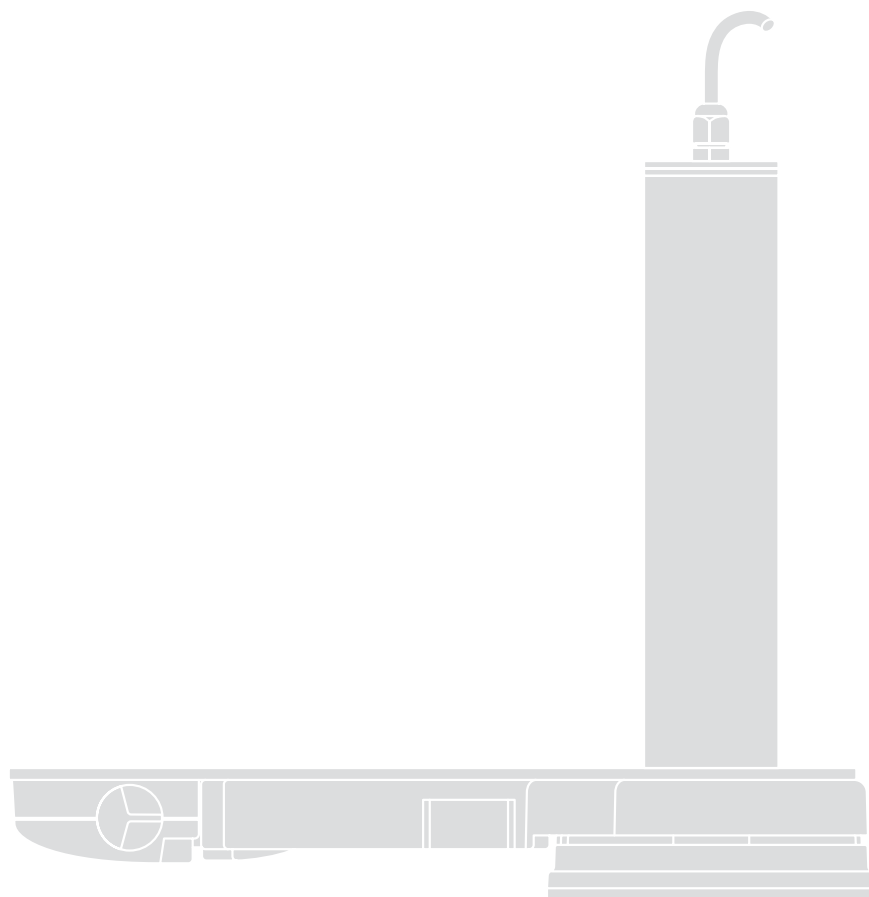


Nice

CE

OLTRE1824



Integrated motor for swing gate

EN - Instructions and warnings for installation and use

IT - Istruzioni ed avvertenze per l'installazione e l'uso

FR - Instructions et avertissements pour l'installation et l'utilisation

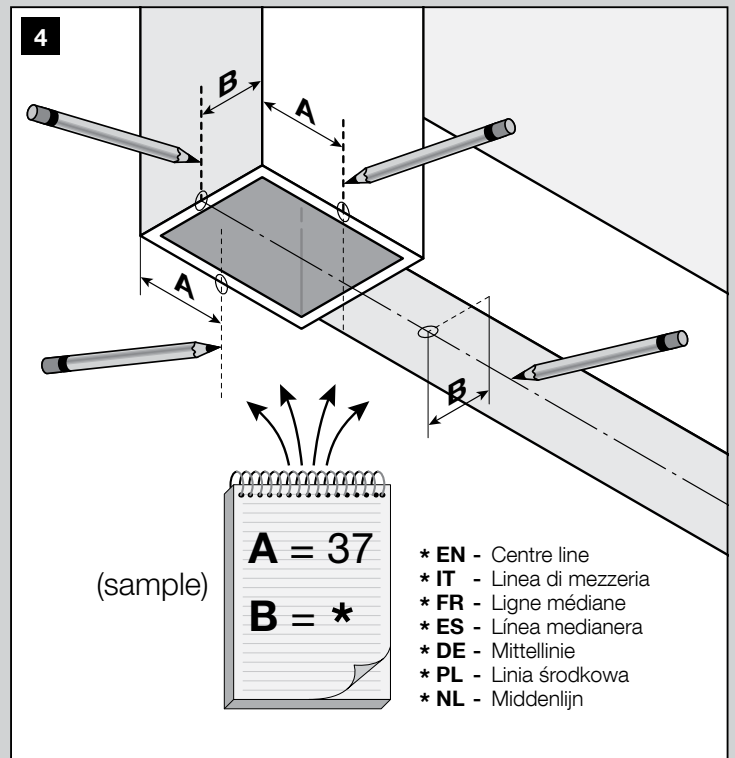
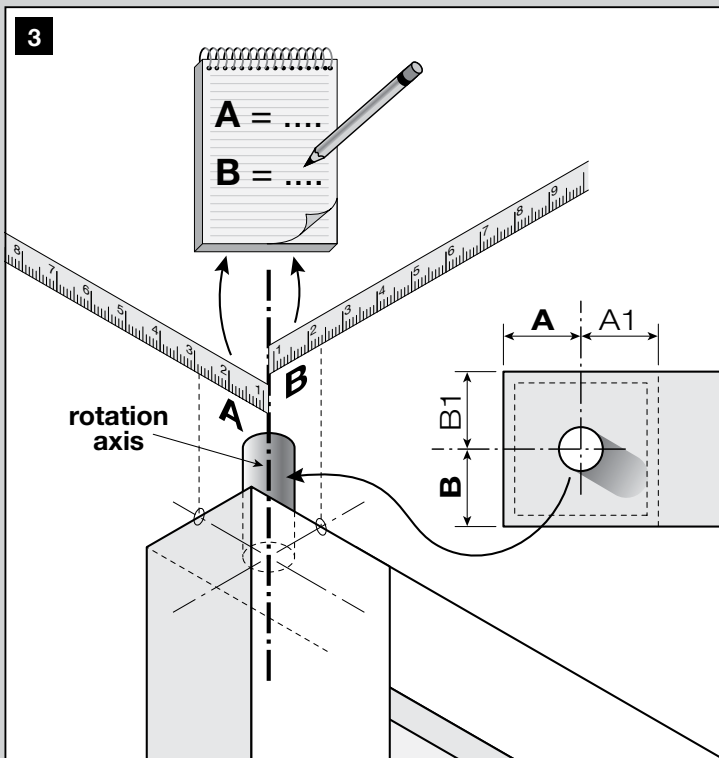
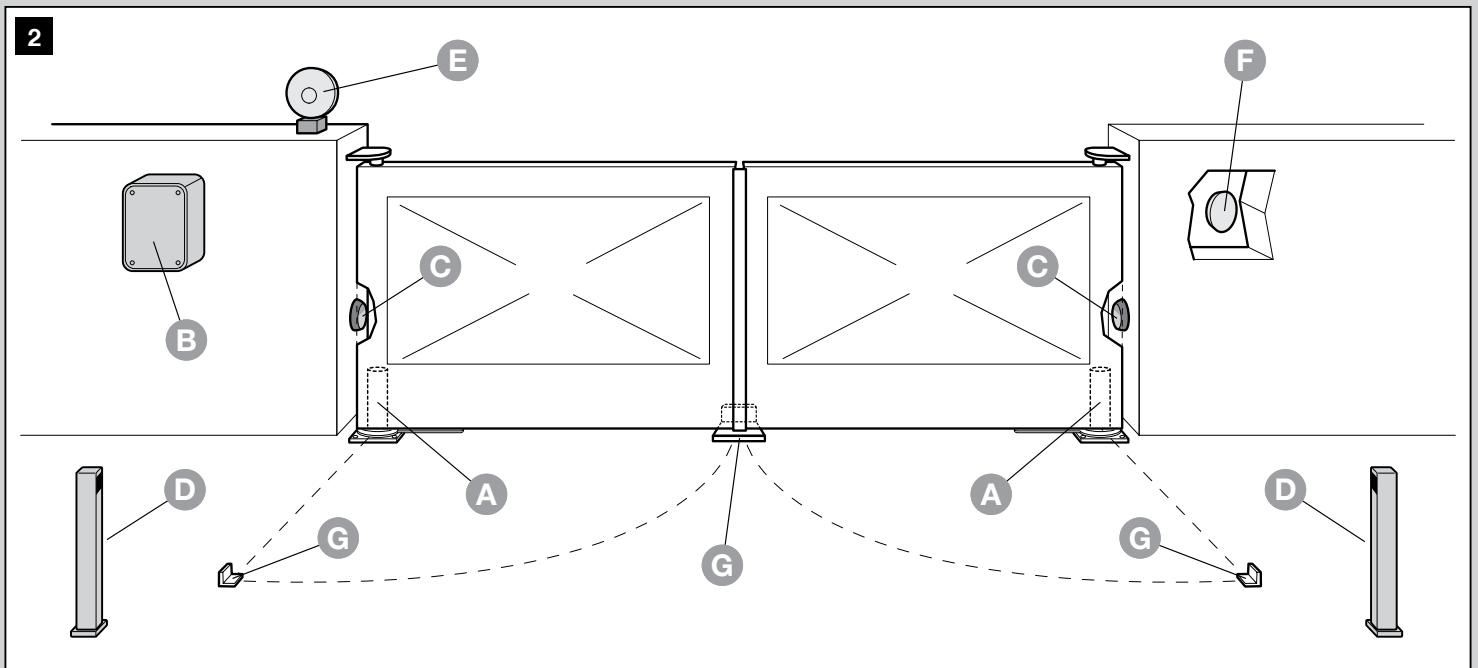
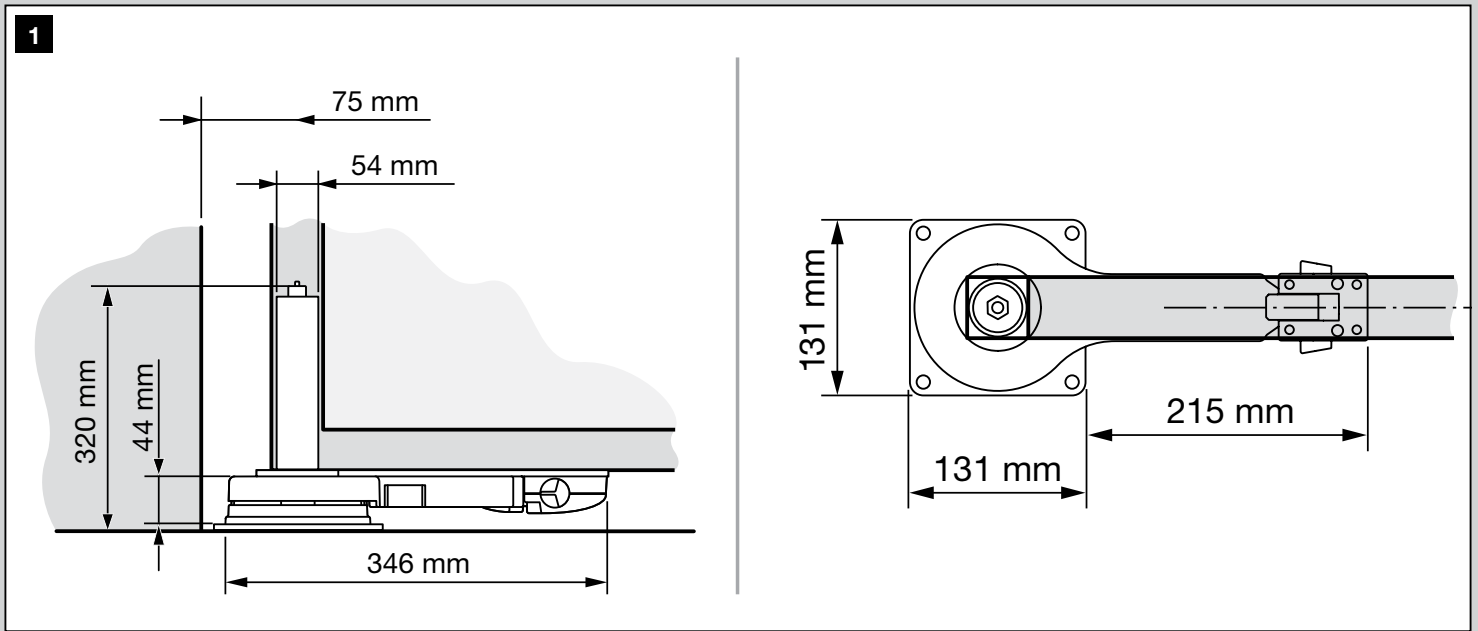
ES - Instrucciones y advertencias para la instalación y el uso

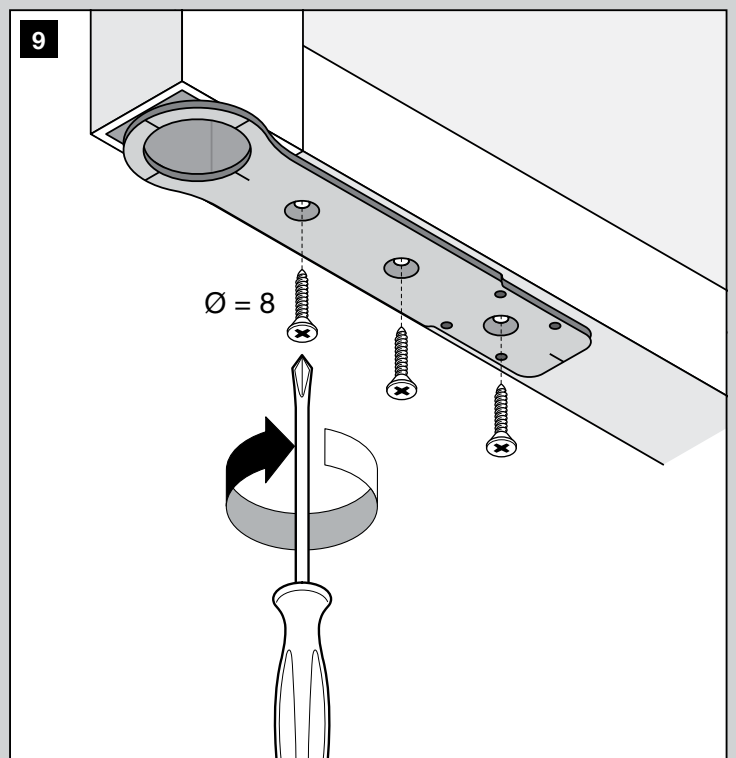
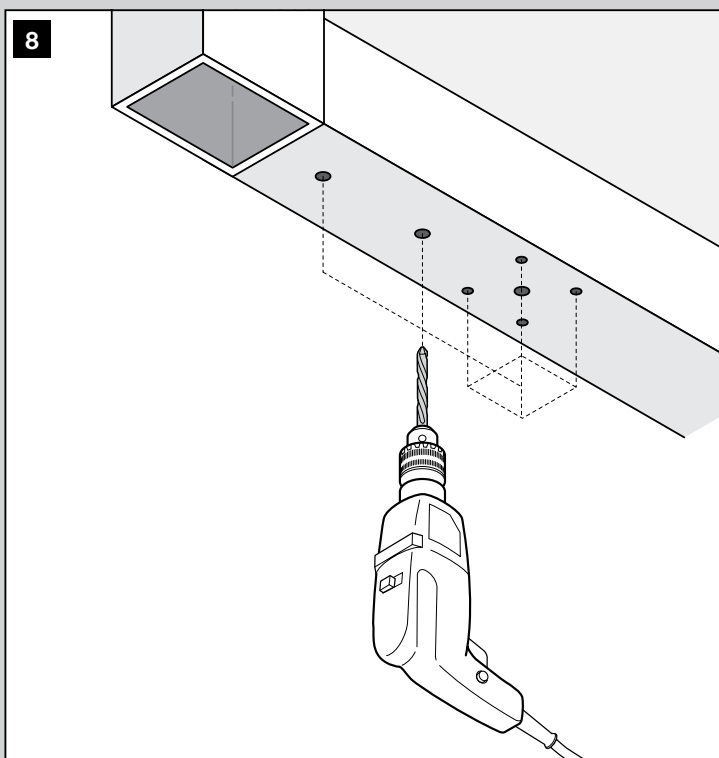
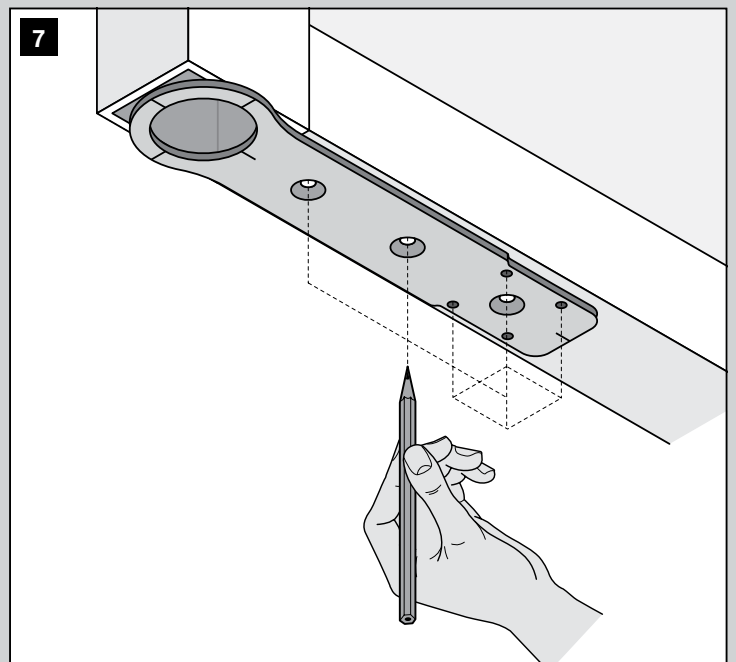
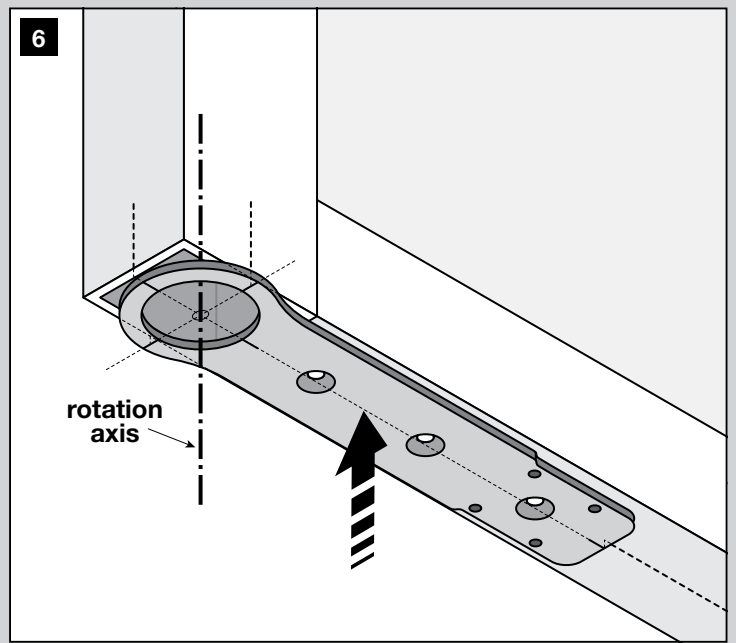
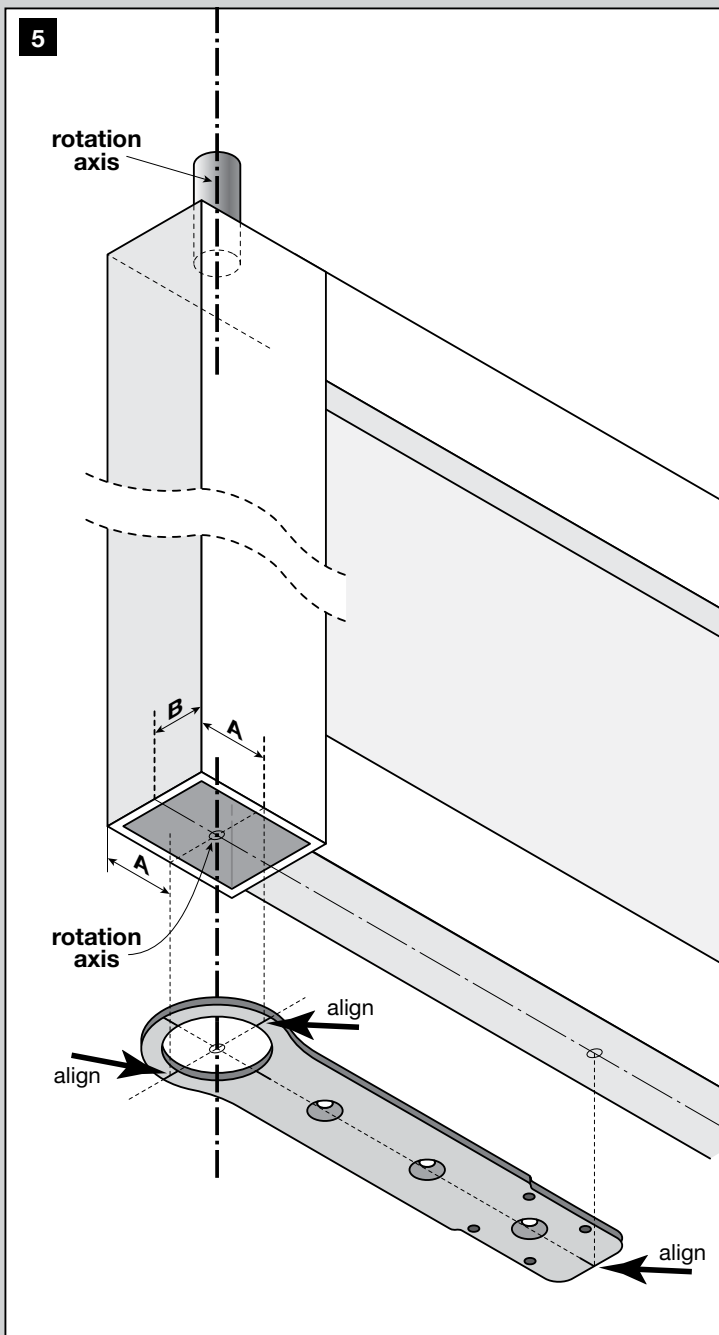
DE - Installierungs-und Gebrauchsanleitungen und Hinweise

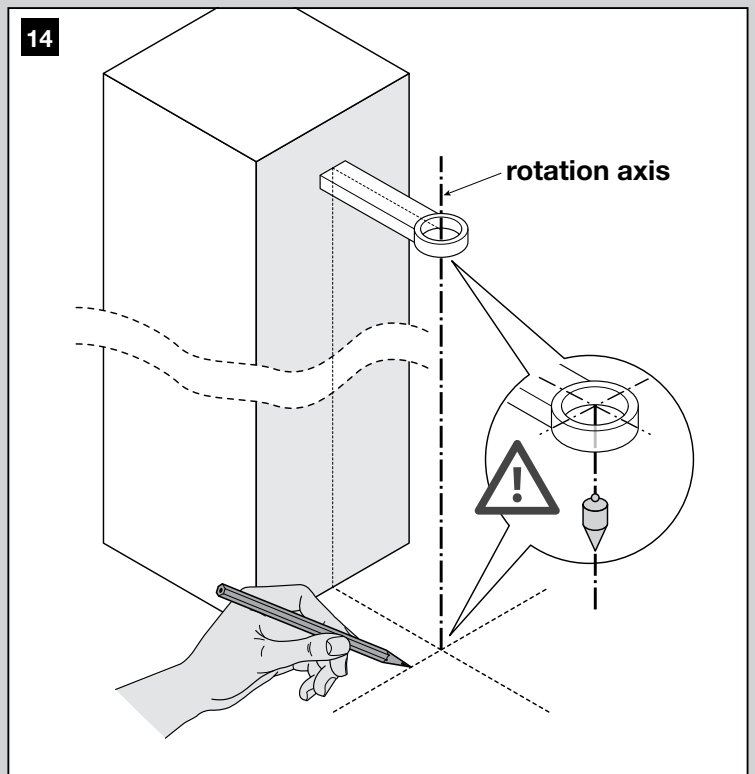
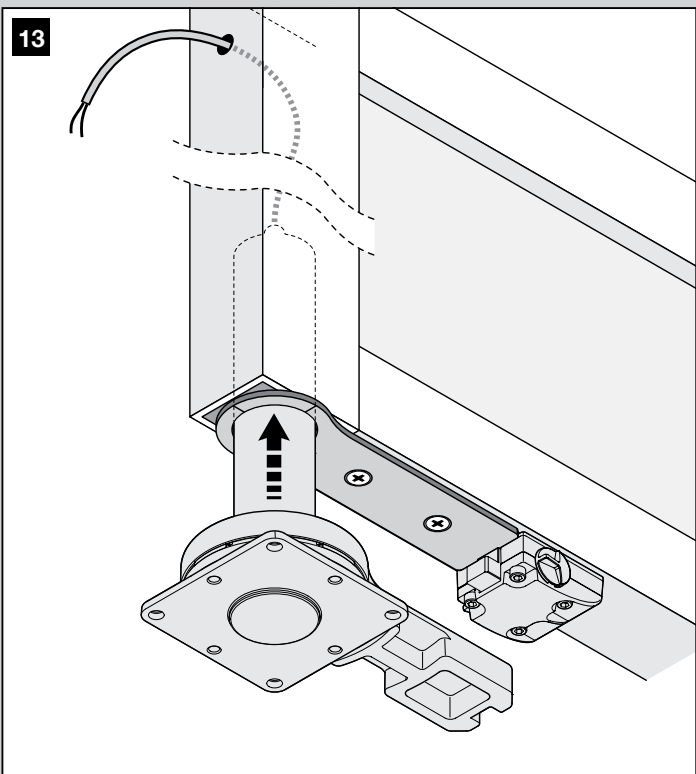
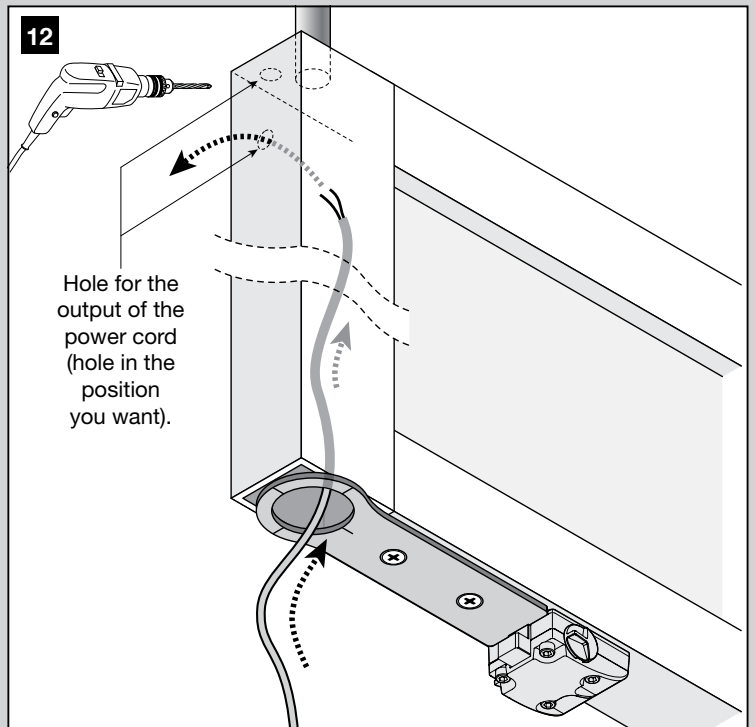
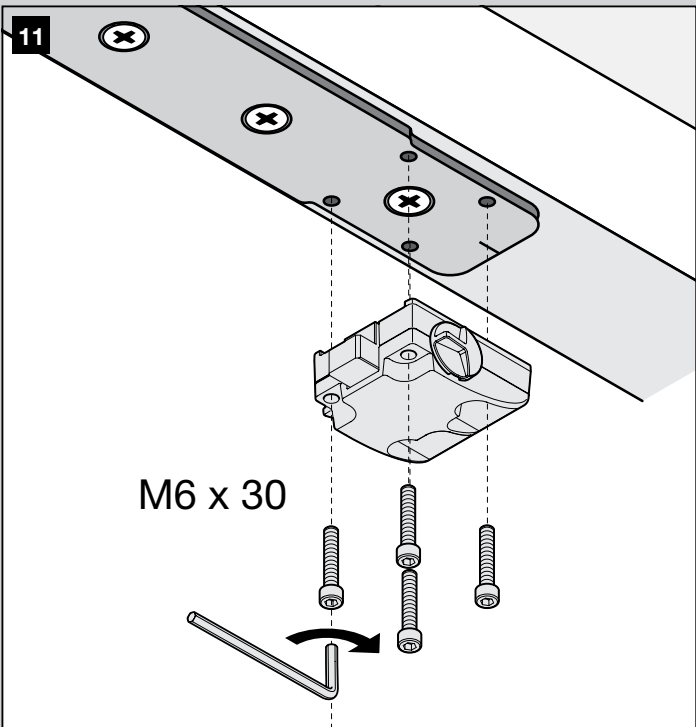
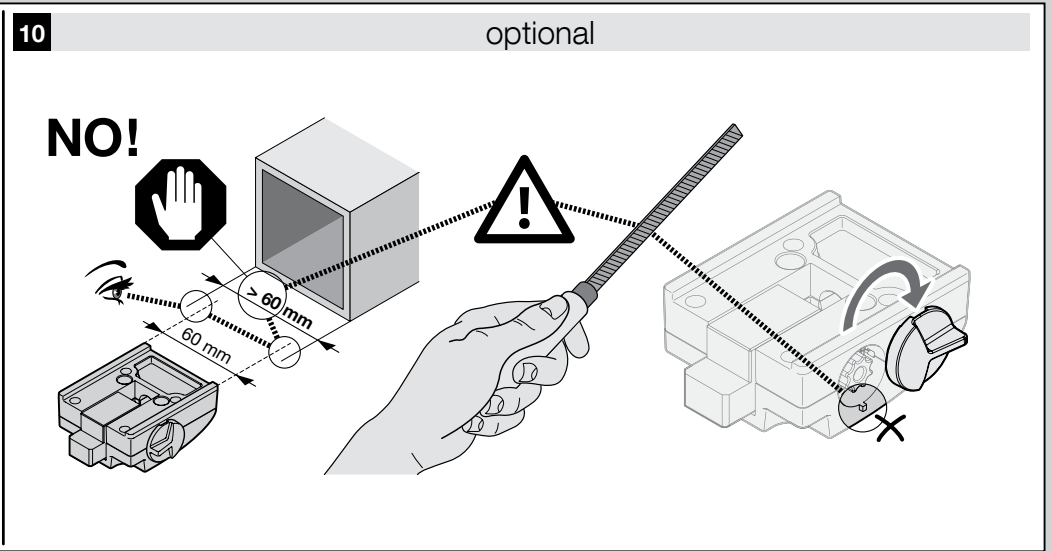
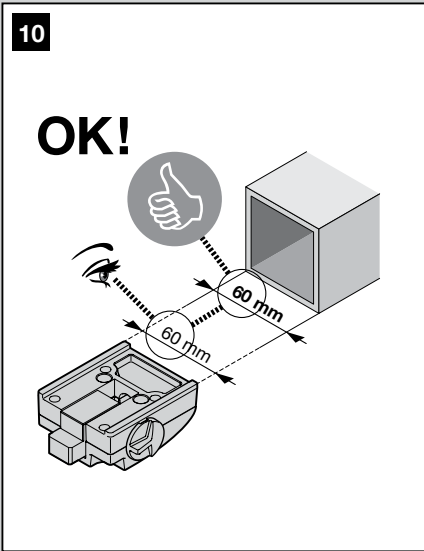
PL - Instrukcje i ostrzeżenia do instalacji i użytkowania

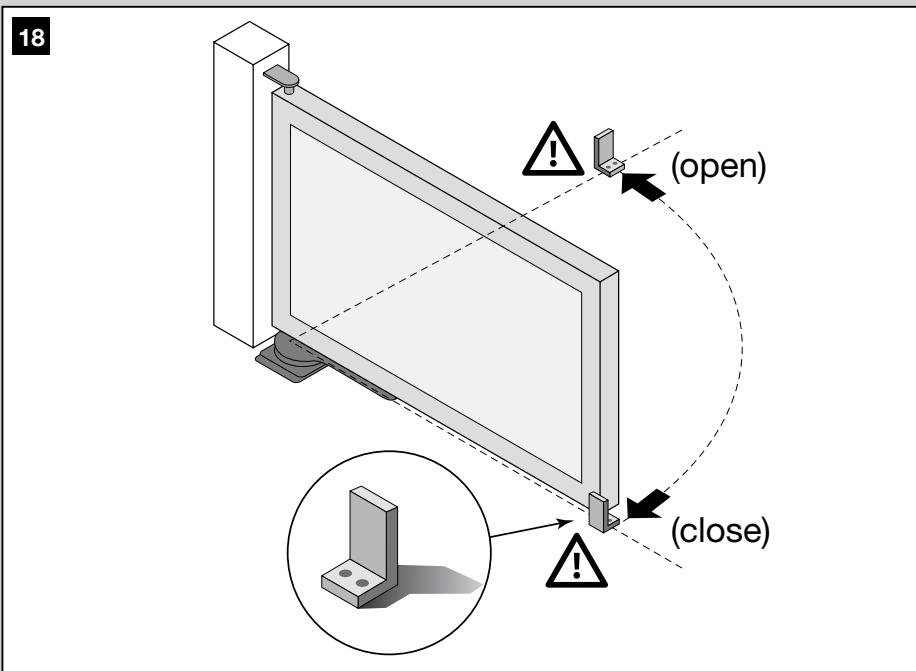
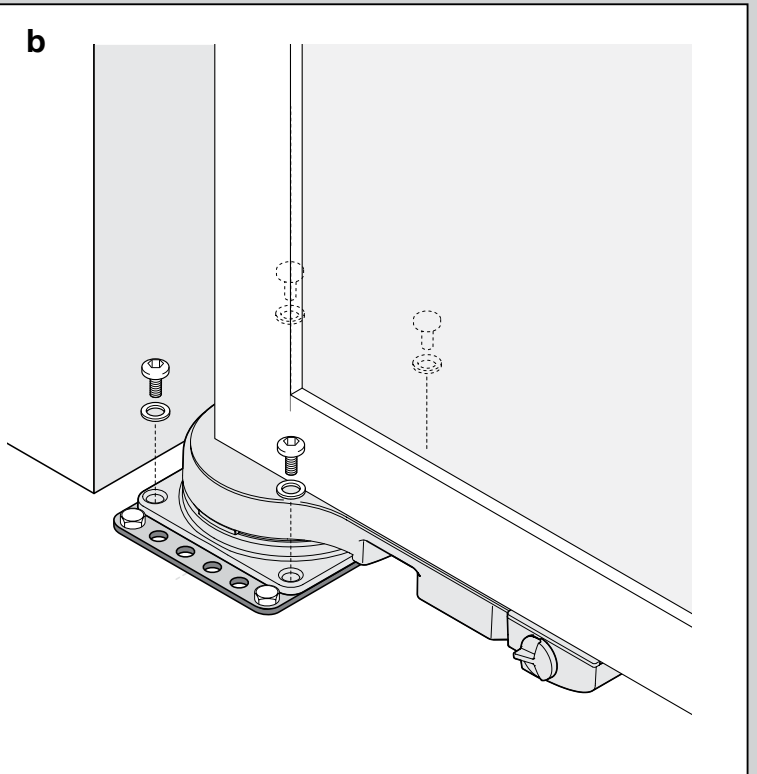
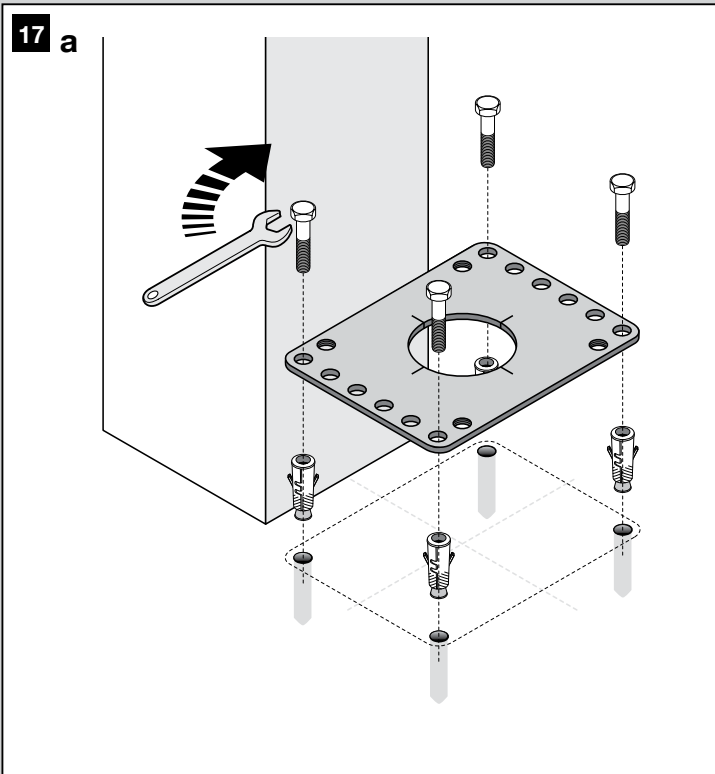
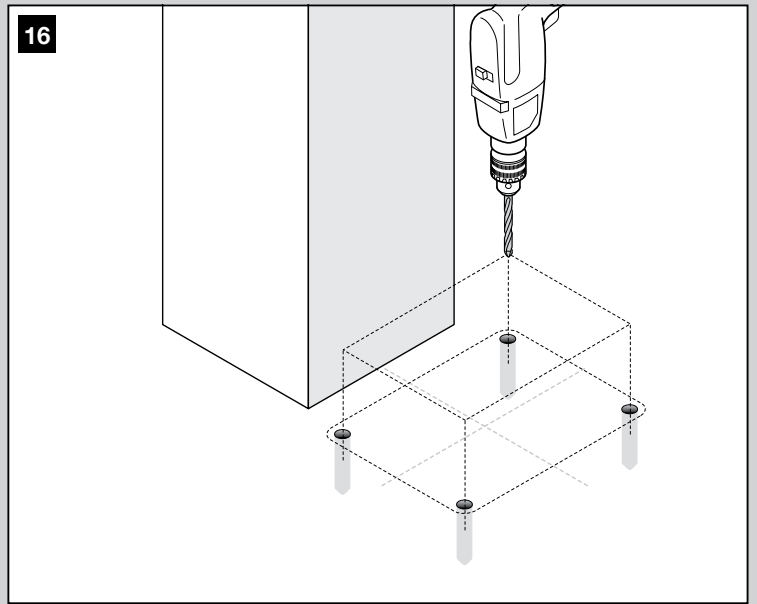
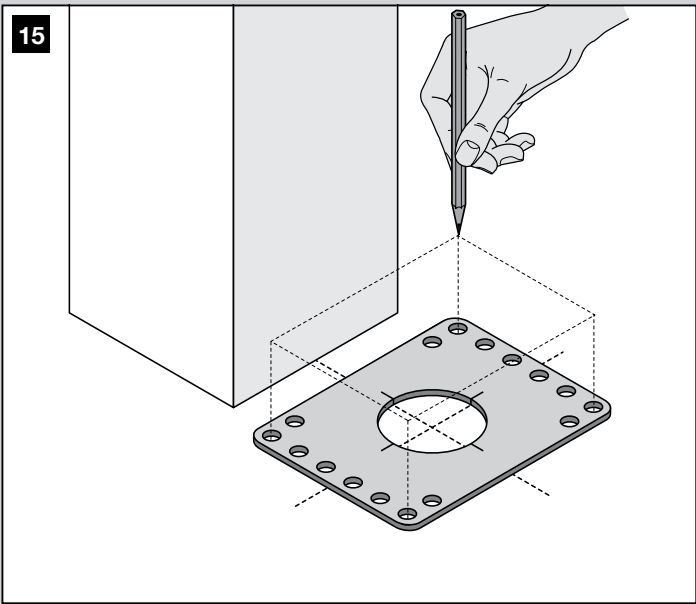
NL - Aanwijzingen en aanbevelingen voor installatie en gebruik

Nice

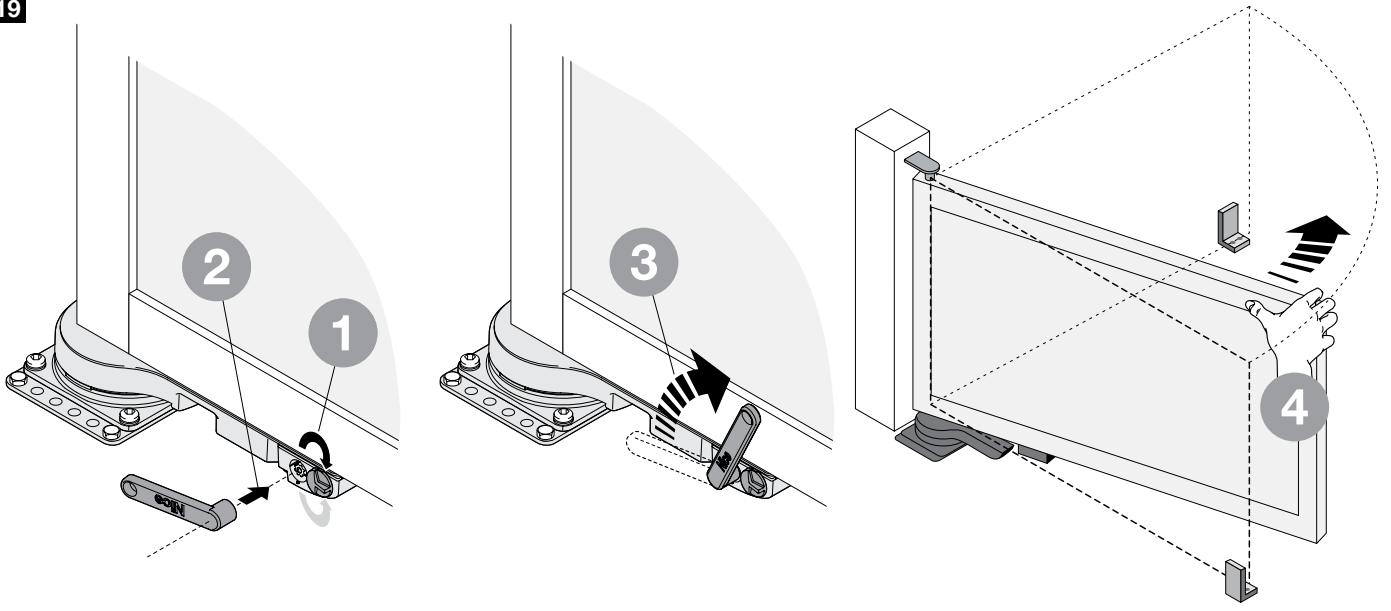




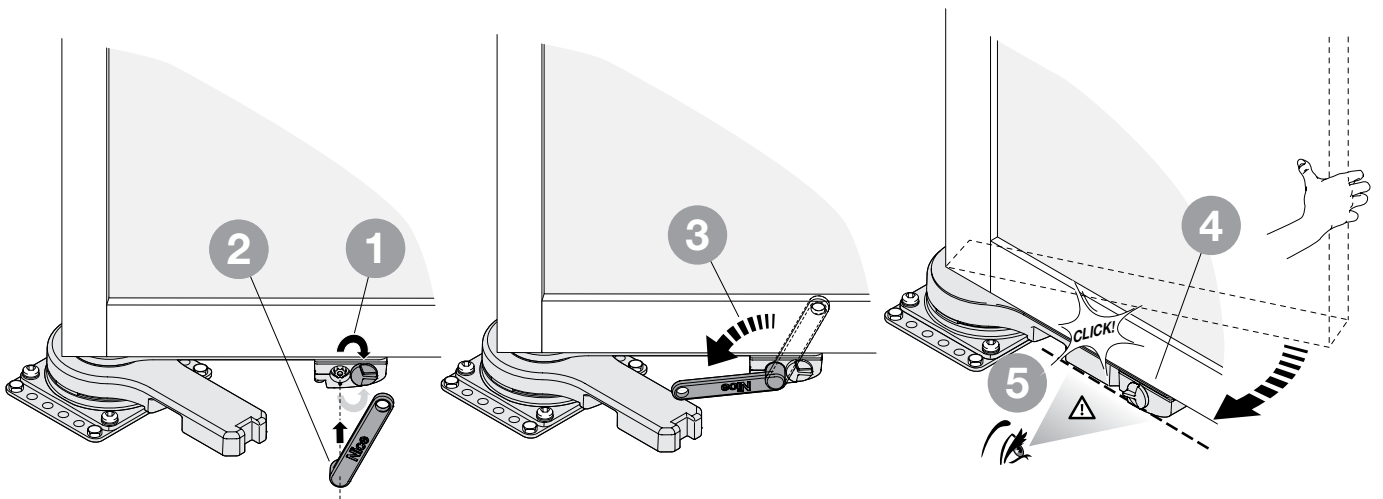




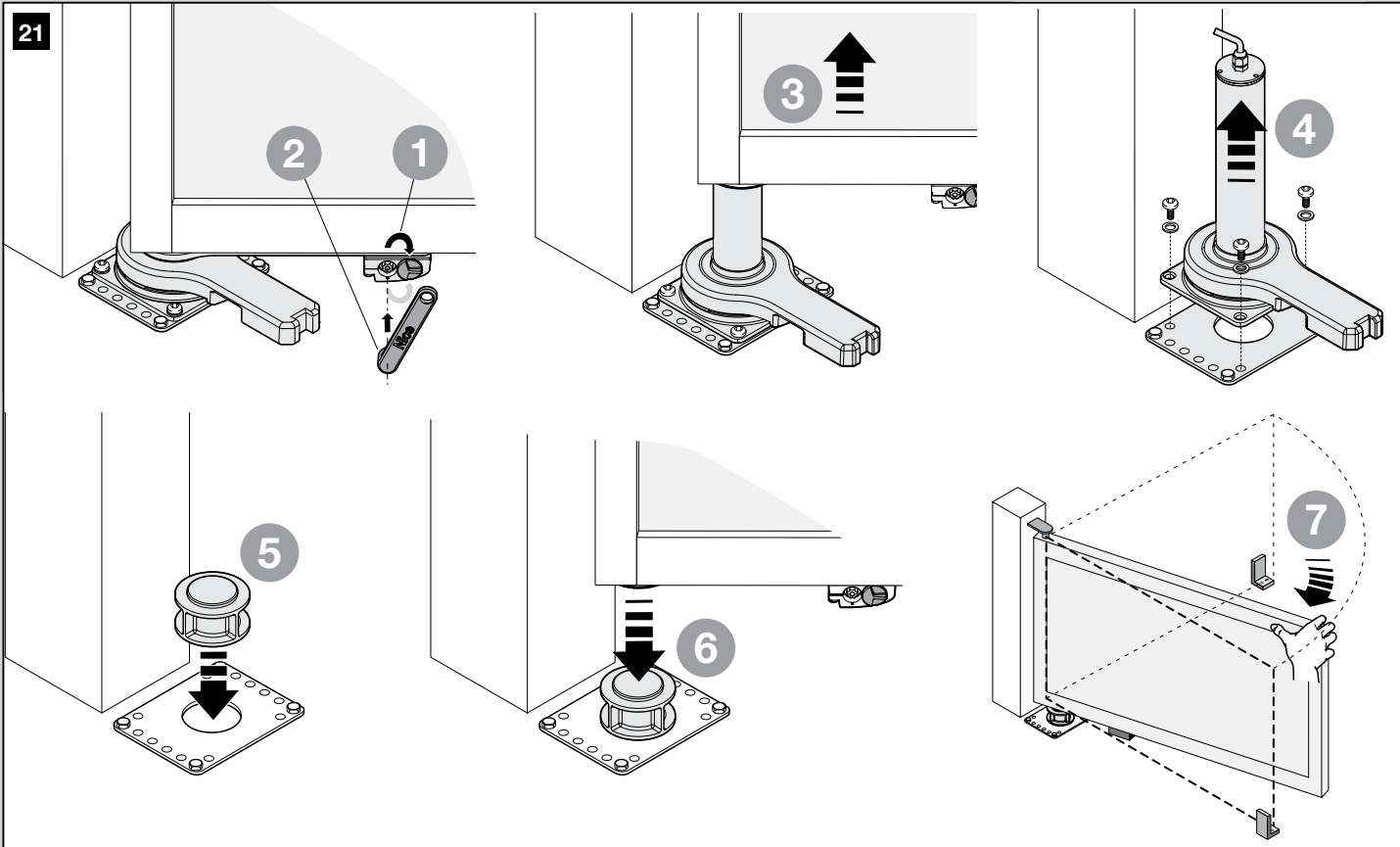
19



20



21



1 GENERAL SAFETY WARNINGS AND PRECAUTIONS

GENERAL WARNINGS

CAUTION - Important safety instructions. Observe all the instructions as improper installation may cause serious damage

CAUTION - Important safety instructions. It is important to comply with these instructions to ensure personal safety. Store these instructions

- Before commencing the installation, check the "Product technical specifications", in particular whether this product is suitable for automating your guided part. Should it be unsuitable, DO NOT proceed with the installation
- The product cannot be used before it has been commissioned as specified in the "Testing and commissioning" chapter

CAUTION - According to the most recent European legislation, the implementation of an automation system must comply with the harmonised standards set forth in the Machinery Directive in force, which allow for declaring the presumed conformity of the automation. On account of this, all operations regarding connection to the mains electricity, as well as product testing, commissioning and maintenance, must be performed exclusively by a qualified and skilled technician!

- Before proceeding with the product's installation, check that all materials are in good working order and are suitable for the intended applications
- The product is not intended for use by persons (including children) with reduced physical, sensory or mental capacities, nor by anyone lacking sufficient experience or familiarity with the product
- Children must not play with the appliance
- Do not allow children to play with the control devices of the product. Keep the remote controls out of reach of children

CAUTION - In order to avoid any danger from inadvertent resetting of the thermal cut-off device, this appliance must not be powered through an external switching device, such as a timer, or connected to a supply that is regularly powered or switched off by the circuit

- Provide a disconnection device (not supplied) in the plant's mains power supply, with a contact opening distance that ensures complete disconnection under the conditions envisaged by Overvoltage Category III
- Handle the product with care during installation, taking care to avoid crushing, knocks, falls or contact with liquids of any kind. Keep the product away from sources of heat and open flames. Failure to observe the above can damage the product and increase the risk of danger or malfunctions. If this should happen, stop installation immediately and contact the Customer Service
- The manufacturer assumes no liability for damage to property, items or persons resulting from non-compliance with the assembly instructions. In such cases the warranty does not cover material defects
- The weighted sound pressure level of the emission A is lower than 70 dB(A)
- Cleaning and maintenance to be carried out by the user must not be effected by unsupervised children
- Before intervening on the system (maintenance, cleaning), always disconnect the product from the mains power supply
- Check the system periodically, in particular all cables, springs and supports to detect possible imbalances, signs of wear or damage. Do not use if repairs or adjustments are necessary, because a failure with the installation or an incorrectly balanced automated system may lead to injury
- The packaging materials of the product must be disposed of in compliance with local regulations
- Keep persons away from the gate when it is moved through the control elements
- When performing a manoeuvre, keep an eye on the automated mechanism and keep all bystanders at a safe distance until the movement has been completed
- Do not operate the automation if anyone is working on it; disconnect the power supply before permitting any work to be carried out

INSTALLATION WARNINGS

- Prior to installing the drive motor, check that all mechanical components are in good working order and properly balanced, and that the automation moves correctly
- If the gate being automated has a pedestrian door, the system must include a control device inhibiting the operation of the motor when the pedestrian door is open
- Make sure that the controls are kept at a safe distance from moving parts, while allowing a good view of these.

Unless a selector is used, the controls should be installed at least 1.5 m from the ground and must not be accessible

- If the opening movement is controlled by a fire-prevention system, make sure that any windows larger than 200 mm are closed by the control elements
- Prevent and avoid any form of trapping between the moving and fixed parts during manoeuvres
- Permanently affix the manual operation label next to the element enabling the manoeuvre itself
- After installing the drive motor, make sure that the mechanism, protective system and all manual manoeuvres operate properly

2 DESCRIPTION OF THE PRODUCT AND DESTINATION OF USE

This product is intended to automate gates and doors with hinged leaves, exclusively for residential use.

ATTENTION! – Any use different to that described and in environmental conditions different to those stated in this manual must be considered improper and prohibited!

The product is an electromechanical device that is placed inside the hollow structure of the gate leaf; the part that protrudes from the lower part of the gate leaf must be fixed to the ground. It is supplied with a 24 V DC motor that is powered by the external control unit to which it must be connected. In the event of a power outage (black-out), the gate can be moved manually by releasing the gearmotor from the gate using the key provided. For information on how to release the gate and move it manually, see **paragraph 3.6**.

3 INSTALLATION

3.1 - Preliminary checks on installation

Before performing installation, check the integrity of the product components, the adequacy of the model chosen and the suitability of the environment destined for installation.

IMPORTANT – The gearmotor cannot be used to power a gate that does not have an efficient and safe mechanical structure. Moreover, it cannot solve defects caused by incorrect installation or bad maintenance of the gate itself.

3.2 - Suitability of the gate to automate and the surrounding environment

- Check that the gate mechanical structure is suitable to be automated and complies with the Standards in force on the territory (if necessary, refer to the data given on the gate label).
- Move the gate leaf by hand to its maximum opening and closing position; during movement make sure there is minimum friction and that constant force is used throughout the travel: there must be no points where the friction is greater than elsewhere.
- Move the gate leaf by hand and leave it still at various points along its travel; then make sure that the gate leaf remains in balance, i.e. it does not move.
- Check that the space around the gear motor allows to manually release the gate panels easily and safely.
- Envision end run retainers on the ground both for opening and closure of the gate.
- Check that the gear motor fixing area is compatible with the clearance of the latter (**fig. 1**).

3.3 - Limits of use for the product

- The gate leaf on which the device is to be installed, must not weigh more than 100 kg or exceed 1.80 m in length.
- The gearmotor must only be connected to the **MC824L** control unit.
- Since the gearmotor must be installed inside the gate leaf, the leaf upright (in which the rotation fulcrum is located) must be a hollow profile with a housing space equal to or greater than a diameter of 56 mm.
- It is imperative to install mechanical stops at the preset points for the opening and closing limit switches (these accessories are not included).

3.4 - Set-up for installation

In **Fig. 2** there is an example of a complete installation, built with Nice components. These parts are positioned according to a typical standard layout. Refer to **Fig. 2** to establish the approximate location where each specified component is to be installed, and to decide on the layout of the electrical connections between the components.

Components useful for realising a complete plant (fig. 2):

A - Electro-mechanical gear motors

- B** - Control unit
- C** - Pair of photocells
- D** - Columns for pairs of photocells (C)
- E** - Flashing signal with antenna incorporated
- F** - Digital keyboard / Key selector switch
- G** - Pair of mechanical stops in opening and closure

3.5 - Installation

To install the gearmotor, perform all the steps shown in the figures, starting from **Fig. 1** to **Fig. 18**. You must strictly follow the order as shown.

3.6 - Manual release and block of the gear motor

To release or block the gearmotor, use the lever provided in the following way:

• To release a gate leaf (reference to Fig. 19):

01. Choose the side of the leaf you want to work on.
02. Gain access to the lock by turning its cover 180° (test it to see which way you need to turn it).
03. Insert the lever in the lock and turn it 180° in a clockwise direction.
04. Remove the lever from the lock and put the cover back on the lock.
05. Lastly, move the leaf by hand to its desired position.

• To lock a gate leaf (reference to Fig. 20):

01. Choose the side of the leaf you want to work on.
02. Gain access to the lock by turning its cover 180° (test it to see which way you need to turn it).
03. Insert the lever in the lock and turn it 180° in an anti-clockwise direction.
04. Remove the lever from the lock and put the cover back on the lock.
05. Move the leaf by hand to a position by the lock; finally release it only after hearing the click of the lock (= door locked onto the gearmotor).

4 ELECTRIC CONNECTIONS

Recommendations:

- The gearmotor must only be connected to the **MC824L** control unit.
- The gear motor is supplied with an electric power input cable measuring 3 m. So if you need to cover a greater distance in order to connect it to the MC824L control unit, **it is essential to use a junction box (not supplied) to adequately protect the added sections of electrical cable.**
- **Make the electric connections with the mains power input disconnected.**

To connect the power input cable to the control unit, see the manual regarding the latter and the following indications:

WIRE	CONNECTION
Blu wire	24 V motor power input
Brown wire	24 V motor power input

5 INSPECTION AND COMMISSIONING

These are the most important stage in the automation system installation procedure in order to ensure the maximum safety levels.

Testing can also be adopted as a method of periodically checking that all the various devices in the system are functioning correctly.

⚠ CAUTION! – The system must be tested by skilled and qualified personnel, who is responsible for defining the tests adopted in relation to the risks present, and for ensuring observance of all legal provisions, standards and regulations, with particular reference to all requirements of the EN 13241-1, EN 12445 and EN 12453 standards which defines the test methods for testing gate automations.

5.1 - Inspection

Each individual component of the automation, e.g. sensitive edges, photocells, emergency stop etc requires a specific inspection phase. For these devices the procedures given in the respective instruction manuals must be performed. When conducting tests on the gearmotor, proceed as follows:

- 1 Check that everything envisioned in Chapter 1 - General safety warnings and precautions, is rigorously respected.
- 2 Close the gate.
- 3 **Remove any electric power input source to the control unit.**
- 4 Release the gear motor using the relative wrench (see **paragraph 3.6**).
- 5 Move the gate leaf by hand to its maximum opening position; during movement make sure there is minimum friction and that constant force is used throughout the travel: there must be no points where the friction is greater

than elsewhere.

- 6 Move the gate leaf by hand and leave it still at various points along its travel; then make sure that the gate leaf remains in balance, i.e. it does not move.
- 7 Make sure that the safety systems and mechanical stops are in good condition.
- 8 Make sure that the screw terminals used for the electrical connections are tight.
- 9 Block the gear motor using the relative wrench (see **paragraph 3.6**).
- 10 Apply the electric power input to the control unit.
- 11 Measure the force of impact according to that envisioned by the EN 12445 Standard. If the control of the “driving force” is used by the control unit as an auxiliary to the system for the reduction of the force of impact, try and adjust the functions that offer better parameters.
- 12 Place the label showing how to manually release and relock the gearmotor in a position close to the automated unit.

5.2 - Commissioning

Commissioning can only be performed after all of the inspection phases of the gear motor and other devices present have been performed with positive results. For commissioning refer to the control unit instruction manual.

IMPORTANT – Partial commissioning or in “temporary” situations is prohibited.

6 PRODUCT MAINTENANCE

Maintenance must be performed in strict observance of the safety provisions in this manual and according to current legislation and standards.

The automation devices do not require special maintenance. However a check should be performed at least every six months to ensure complete efficiency of all devices.

For this purpose, the tests and checks envisaged in paragraph 5.1 “Testing” should all be performed, as well as all procedure in the paragraph “Maintenance operations permitted for the user”.

If other devices are present, follow the instructions in the relative maintenance schedule.

If the motor is replaced, it is possible to use the replacement pin and move the gate manually: to insert the pin see **Fig. 21**.

DISPOSAL OF THE PRODUCT

This product is an integral part of the automation and therefore must be demolished with it.

As for installation, the plant must also be demolished by qualified staff at the end of its life span.

This product is made up of various types of materials: some can be re-cycled, others must be disposed of. Obtain information regarding recycling or disposal systems envisioned by the Standards in force on your territory for this category of product.

Attention! – some parts of the product can contain pollutant or dangerous substances which, if dispersed into the environment, could have damaging effects on the same and human health.

As indicated by the symbol at the side, it is prohibited to throw this product into domestic waste. "Separate collection" must be performed for disposal, according to the methods envisioned by the Regulations in force on your territory or take the product back to your dealer on the purchase of a new equivalent product.



Attention! – local regulations in force may envision heavy sanctions if this product is disposed of abusively.

PRODUCT TECHNICAL FEATURES

RECOMMENDATIONS • All technical features stated make reference at a room temperature of 20°C (± 5°C). • Nice S.p.A. reserves the right to modify the product at any time it deems necessary, however maintaining the same functionality and destination of use.

- **Type:** Electro-mechanical gear motors for gates and doors with hinged panels
- **Power input:** 24 V ===
- **Nominal absorption:** 1 A
- **Maximum absorption:** 2.9 A
- **Nominal power:** 25 W
- **Maximum power:** 70 W
- **Protection rating:** IP 67
- **Run:** 0°...120° (±10°)
- **Nominal speed:** 1.5 rpm
- **Nominal torque:** 60 Nm
- **Maximum torque:** 150 Nm
- **Functioning temperature:** -20°C...+50°C
- **Cycles/hour at the nominal torque:** 60
- **Dimensions:** 305 x 145 x 346
- **Weight (kg):** 5.5

CE declaration of conformity and declaration of incorporation of "partly-completed machinery"

Declaration in accordance with Directives: 2014/30/UE (EMC); 2006/42/EC (MD) annex II, part B.

Note - The content of this declaration corresponds to the declaration made in the official document filed in the offices of Nice S.p.A., and particularly the latest version thereof available prior to the printing of this manual. The text contained here has been adapted to meet editorial requirements. A copy of the original declaration may be requested from Nice S.p.A. (TV) Italy.

Declaration number: **589/OLTRE**

Revision: **0**

Language: **EN**

Name of manufacturer: NICE S.p.A.

Address: Via Pezza Alta N°13, 31046 Rustignè di Oderzo (TV) Italy.

Person authorized to provide technical documentation: NICE S.p.A. – Via Pezza Alta N°13, 31046 Rustignè di Oderzo (TV) Italy.

Product type: 24Vd.c. electro-mechanical gear motor for swing gates.

Model / Type: OLTRE1824

Accessories:

The undersigned Roberto Griffa, as Chief Executive Officer, hereby declares under his own responsibility that the products identified above comply with the provisions of the following directives:

- **DIRECTIVE 2014/30/UE OF THE EUROPEAN PARLIAMENT AND COUNCIL** of February 26 2014 concerning alignment of Member States' legislation regarding electromagnetic compatibility (consolidated text), according to the following harmonized standards: EN 61000-6-2:2005; EN 61000-6-3:2007 + A1:2011.

The product also complies with the following directive in accordance with the requirements for "quasi-machines":

- **Directive 2006/42/EC OF THE EUROPEAN PARLIAMENT AND COUNCIL** of May 17 2006 regarding machines and amending directive 95/16/EC (consolidated text).
 - I declare that the pertinent technical documentation has been prepared in accordance with Annex VII B to Directive 2006/42/EC and that the following essential requirements have been met:
1.1.1 - 1.1.2 - 1.1.3 - 1.2.1 - 1.2.6 - 1.5.1 - 1.5.2 - 1.5.5 - 1.5.6 - 1.5.7 - 1.5.8 - 1.5.10 - 1.5.11.
 - The manufacturer agrees to send the national authorities pertinent information on the "quasi-machine" in response to a motivated request without affecting its intellectual property rights.
 - If the "quasi-machine" is operated in a European country with an official language other than the language used in this declaration, the importer must associate a translation with this declaration.
 - The "quasi-machine" must not be operated until the final machine in which it is to be incorporated is declared to conform to the provisions of Directive 2006/42/EC, if applicable to it.

The product also complies with the following standards:

EN 60335-1:2002 + A1:2004 + A11:2004 + A12:2006 + A2:2006 + A13:2008 + A14:2010 + A15:2011; EN 60335-2-103:2003 + A1:2009.

The parts of the product which are subject to the following standards comply with them: EN 13241-1:2003 + A1:2011; EN 12445:2000; EN 12453:2000; EN 12978:2003 + A1:2009.

Oderzo, April 21 2016

Ing. **Roberto Griffa**
(Chief Executive Officer)

⚠ This user guide should be stored and handed to all users of the automation.



11.1 – WARNINGS

- Keep at a safe distance from the moving gate until it is completely open or closed; do not transit through the gate until it is completely open and has come to a standstill.
- Do not let children play near the gate or with its commands.
- Keep the transmitters away from children.
- Suspend the use of the automation immediately as soon as you notice something abnormal in the operation (noises or jolting movements); failure to follow this warning may cause serious danger and accidents.
- Do not touch moving parts.
- Regular maintenance checks must be carried out by qualified personnel according to the maintenance plan.
- Maintenance or repairs must only be carried out by qualified technical personnel.
- Send a command with the safety devices disabled:

If the safety devices do not work properly or are out of order, the gate can still be operated.

01. Command the gate with the transmitter. If the safety devices give the enable signal, the gate opens normally; otherwise, reattempt within 3 seconds and keep the control activated.
02. After approximately 2 seconds the gate will start moving in the “man present” mode, that is, so long as the control is kept activated the gate will keep moving; as soon as the control is released the gate will stop.

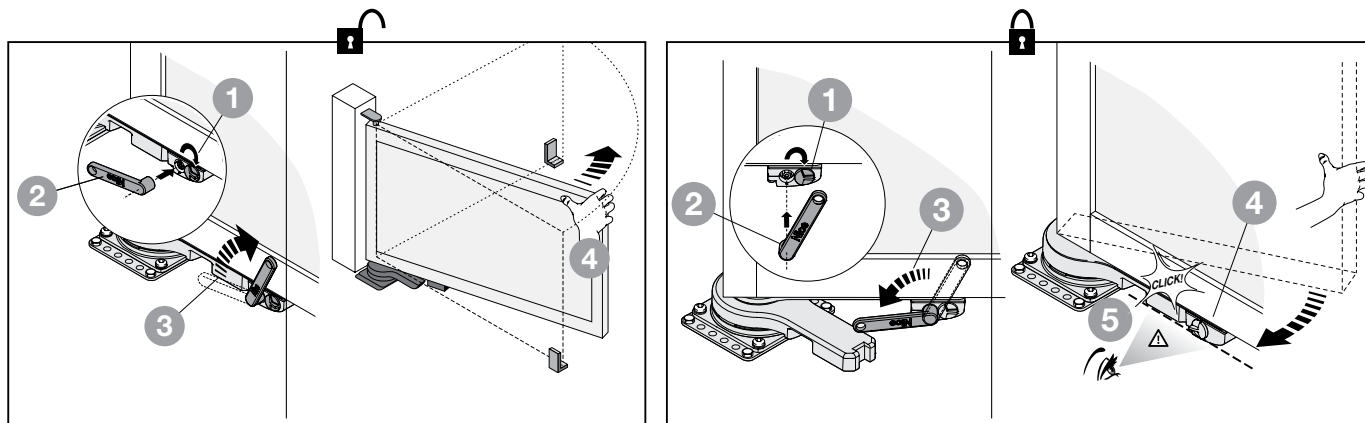
If the safety devices are out of order, arrange to repair the automation as soon as possible.

11.2 – Manually  releasing and locking  the gearmotor

The OLTRE1824 gearmotor is equipped with a mechanical system that allows for opening and closing the gate manually.

Manual operation must be performed in the case of a power outage or in the event of anomalies affecting the system.

In the event of a gearmotor fault, it is still possible to try release the motor to check whether the fault lies in the release mechanism.



11.3 – User-admissible maintenance operations

The operations that the user must carry out periodically are listed below:

- **Cleaning of the surfaces of the devices:** use a slightly damp (not wet) cloth. Do not use substances containing alcohol, benzene, thinners or other flammable substances; the use of these substances may damage the devices and cause fires or electric shocks.
- **Removal of leaves and stones:** disconnect the power supply before proceeding, so as to prevent anyone from moving the gate. If a back-up battery is fitted, disconnect it.



1 AVVERTENZE E PRECAUZIONI GENERALI PER LA SICUREZZA

AVVERTENZE GENERALI

- **ATTENZIONE!** - Istruzioni importanti per la sicurezza. Seguire tutte le istruzioni poiché l'installazione non corretta può causare gravi danni.
- **ATTENZIONE!** - Istruzioni importanti per la sicurezza. Per la sicurezza delle persone è importante seguire queste istruzioni. Conservare queste istruzioni.
- Prima di iniziare l'installazione verificare le "Caratteristiche tecniche del prodotto", in particolare se il presente prodotto è adatto ad automatizzare la vostra parte guidata. Se non è adatto, NON procedere all'installazione.
- Il prodotto non può essere utilizzato prima di aver effettuato la messa in servizio come specificato nel capitolo "Collaudo e messa in servizio".
- **ATTENZIONE!** - Secondo la più recente legislazione europea, la realizzazione di un'automazione deve rispettare le norme armonizzate previste dalla Direttiva Macchine in vigore, che consentono di dichiarare la presunta conformità dell'automazione. In considerazione di ciò, tutte le operazioni di allacciamento alla rete elettrica, di collaudo, di messa in servizio e di manutenzione del prodotto devono essere effettuate esclusivamente da un tecnico qualificato e competente!
- Prima di procedere con l'installazione del prodotto, verificare che tutto il materiale da utilizzare sia in ottimo stato ed adeguato all'uso.
- **ATTENZIONE!** - Al fine di evitare ogni pericolo dovuto al riarmo accidentale del dispositivo termico di interruzione, questo apparecchio non deve essere alimentato con un dispositivo di manovra esterno, quale un temporizzatore, oppure essere connesso a un circuito che viene regolarmente alimentato o disalimentato dal servizio.
- Nella rete di alimentazione dell'impianto prevedere un dispositivo di disconnessione (non in dotazione) con una distanza di apertura dei contatti che consenta la disconnessione completa nelle condizioni dettate dalla categoria di sovratensione III.
- Durante l'installazione maneggiare con cura il prodotto evitando schiacciamenti, urti, cadute o contatto con liquidi di qualsiasi natura. Non mettere il prodotto vicino a fonti di calore, né esporlo a fiamme libere. Tutte queste azioni possono danneggiarlo ed essere causa di malfunzionamenti o situazioni di pericolo. Se questo accade, sospendere immediatamente l'installazione e rivolgersi al Servizio Assistenza.
- Il produttore non si assume alcuna responsabilità per danni patrimoniali, a cose o a persone derivanti dalla non osservanza delle istruzioni di montaggio. In questi casi è esclusa la garanzia per difetti materiali.
- Il livello di pressione acustica dell'emissione ponderata A è inferiore a 70 dB(A).
- La pulizia e la manutenzione destinata ad essere effettuata dall'utilizzatore non deve essere effettuata da bambini senza sorveglianza.
- Prima degli interventi sull'impianto (manutenzione, pulizia), disconnettere sempre il prodotto dalla rete di alimentazione.
- Verificare frequentemente l'impianto, in particolare controllare i cavi, le molle e i supporti per rilevare eventuali sbilanciamenti e segni di usura o danni. Non usare se è necessaria una riparazione o una regolazione, poiché un guasto all'installazione o un bilanciamento della porta non corretto possono provocare lesioni.
- Il materiale dell'imballo del prodotto deve essere smaltito nel pieno rispetto della normativa locale.
- Tenere le persone lontane dalla porta quando questa viene movimentata mediante gli elementi di comando.
- Durante l'esecuzione della manovra controllare l'automazione e mantenere le persone lontano da essa, fino al termine del movimento.
- Non comandare il prodotto se nelle sue vicinanze ci sono persone che svolgono lavori sull'automazione; scollegate l'alimentazione elettrica prima di far eseguire questi lavori.

AVVERTENZE INSTALLAZIONE

- Prima di installare il motore di movimentazione, controllare che tutti gli organi meccanici siano in buone condizioni, regolarmente bilanciati e che la porta possa essere manovrata correttamente.
- Se il cancello da automatizzare è dotato di una porta pedonale occorre predisporre l'impianto con un sistema di controllo che inibisca il funzionamento del motore quando la porta pedonale è aperta.
- Assicurarsi che gli elementi di comando siano tenuti lontani dagli organi in movimento consentendone comunque una visione diretta. A meno che non si utilizzino un selettore, gli elementi di comando vanno installati ad un'altezza minima di 1,5 m e non devono essere accessibili.
- Se il movimento di apertura è controllato da un sistema antincendio, assicurarsi che eventuali finestre maggiori di 200 mm vengano chiuse dagli elementi

- di comando
- Prevenire ed evitare ogni forma di intrappolamento tra le parti in movimento e quelle fisse durante le manovre.
- Apporre in modo fisso e permanente l'etichetta riguardante la manovra manuale vicino all'elemento che consente la manovra stessa.
- Dopo aver installato il motore di movimentazione assicurarsi che il meccanismo, il sistema di protezione ed ogni manovra manuale funzionino correttamente.

2 DESCRIZIONE DEL PRODOTTO E DESTINAZIONE D'USO

Il presente prodotto è destinato all'automatizzazione di cancelli o portoni con ante battenti, presenti in ambito esclusivamente residenziale.

ATTENZIONE! – Qualsiasi altro uso diverso da quello descritto e in condizioni ambientali diverse da quelle riportate in questo manuale è da considerarsi improprio e vietato!

Il prodotto è un motoriduttore elettromeccanico che viene inserito all'interno della struttura cava dell'anta del cancello; la parte che sporge dalla parte bassa dell'anta deve essere fissata a terra. È provvisto di un motore in corrente continua a 24 V che viene alimentato dalla centrale di comando esterna alla quale deve essere collegato. In caso d'interruzione dell'energia elettrica (black-out), è possibile muovere manualmente le ante del cancello, svincolando il motoriduttore dall'anta, con l'apposita chiave. Per eseguire lo sblocco dell'anta e la manovra manuale, vedere il paragrafo 3.6.

3 INSTALLAZIONE

3.1 - Verifiche preliminari all'installazione

Prima di procedere all'installazione, è necessario verificare l'integrità dei componenti del prodotto, l'adeguatezza del modello scelto e l'idoneità dell'ambiente destinato all'installazione.

IMPORTANTE – Il motoriduttore non può automatizzare un cancello che non ha una struttura meccanica efficiente e sicura. Inoltre, non può risolvere i difetti causati da una sbagliata installazione o da una cattiva manutenzione del cancello stesso.

3.2 - Idoneità del cancello da automatizzare e dell'ambiente circostante

- Verificare che la struttura meccanica del cancello sia adatta ad essere automatizzata e conforme alle norme vigenti sul territorio (eventualmente fare riferimento ai dati riportati sull'etichetta del cancello).
- Muovere l'anta del cancello con le mani, portandola in apertura e chiusura massima; durante il movimento accertarsi che questo avvenga con un attrito minimo e con uno sforzo costante in ogni punto della corsa: non devono esserci punti in cui l'attrito è maggiore che in altri punti.
- Muovere l'anta del cancello con le mani e lasciarla ferma in diversi punti della sua corsa; quindi accertarsi che l'anta resti in equilibrio, cioè che non si muova.
- Verificare che lo spazio intorno al motoriduttore consenta di sbloccare manualmente le ante del cancello, in modo facile e sicuro.
- Prevedere dei fermi di finecorsa a terra sia per l'apertura sia per la chiusura del cancello.
- Verificare che la zona di fissaggio del motoriduttore sia compatibile con l'ingombro di quest'ultimo (fig. 1).

3.3 - Limiti d'impiego del prodotto

- L'anta nella quale deve essere installato il motoriduttore, non deve superare i 100 kg di peso e 1.80 m di lunghezza.
- Il motoriduttore deve essere collegato esclusivamente alla centrale **MC824L**.
- Poiché il motoriduttore deve essere installato all'interno dell'anta del cancello, il montante dell'anta (quello in cui è presente il fulcro di rotazione) deve essere costituito da un profilato cavo all'interno e con uno spazio di alloggiamento uguale o maggiore a Ø 56 mm.
- È obbligatorio installare dei fermi meccanici nei punti prestabiliti per il finecorsa in apertura e per quello in chiusura (questi accessori non sono in dotazione).

3.4 - Lavori di predisposizione all'installazione

La fig. 2 è un esempio di installazione completa, realizzata con i componenti Nice. Questi componenti sono posizionati secondo uno schema tipico ed usuale. Fare riferimento alla fig. 2 per stabilire la posizione approssimativa nella quale dovrà essere installato ogni componente previsto, e per stabilire lo schema dei collegamenti elettrici tra i componenti.

Componenti utili per realizzare un impianto completo (fig. 2):

- A** - Motoriduttori elettromeccanici
- B** - Centrale di comando

- C - Coppia di fotocellule
- D - Colonne per coppia di fotocellule (C)
- E - Segnalatore lampeggiante con antenna incorporata
- F - Tastiera digitale / Selettore a chiave
- G - Coppia di arresti meccanici in apertura e in chiusura

3.5 - Installazione

Per installare il motoriduttore eseguire tutte le fasi illustrate nelle figure, partendo **dalla fig. 1 fino alla fig. 18**. Rispettare scrupolosamente la sequenza indicata.

3.6 - Sblocco e blocco manuale del motoriduttore

Per sbloccare o bloccare il motoriduttore, utilizzare la leva in dotazione nel modo seguente:

• Per sbloccare un'anta (riferimento alla fig. 19):

01. Scegliere il lato dell'anta sul quale si desidera intervenire.
02. Accedere alla serratura ruotando il suo coperchio di 180° (fare una prova per capire in quale verso ruotarlo).
03. Inserire la leva nella serratura e ruotarla di 180°, in senso orario.
04. Togliere la leva dalla serratura e coprire quest'ultima con il suo coperchio.
05. Infine, muovere l'anta con le mani per portarla nella posizione desiderata.

• Per bloccare un'anta (riferimento alla fig. 20):

01. Scegliere il lato dell'anta sul quale si desidera intervenire.
02. Accedere alla serratura ruotando il suo coperchio di 180° (fare una prova per capire in quale verso ruotarlo).
03. Inserire la leva nella serratura e ruotarla di 180°, in senso antiorario.
04. Togliere la leva dalla serratura e coprire quest'ultima con il suo coperchio.
05. Muovere l'anta con le mani e portarla in corrispondenza della serratura; infine rilasciarla soltanto dopo aver sentito lo scatto della serratura (= anta bloccata al motoriduttore).

4 COLLEGAMENTI ELETTRICI

Avvertenze:

- Il motoriduttore deve essere collegato esclusivamente alla centrale **MC824L**.
- Il motoriduttore è fornito con un cavo di alimentazione elettrica lungo 3 m. Quindi, se è necessario coprire una distanza maggiore per collegarlo alla centrale MC824L, **è tassativo utilizzare una scatola di derivazione (non fornita) per proteggere adeguatamente le aggiunte di cavo elettrico.**
- **Eseguire i collegamenti elettrici con l'alimentazione di rete scollegata.**

Per collegare il cavo di alimentazione alla centrale di comando vedere il manuale di quest'ultima e le seguenti indicazioni:

FILO	COLLEGAMENTO
filo Blu	Alimentazione motore 24 V
filo Marrone	Alimentazione motore 24 V

5 COLLAUDO E MESSA IN SERVIZIO

Queste sono le fasi più importanti nella realizzazione dell'automazione al fine di garantire la massima sicurezza.

Il collaudo può essere usato anche come verifica periodica dei dispositivi che compongono l'automatismo.

⚠ ATTENZIONE! – Il collaudo e la messa in servizio dell'automazione deve essere eseguita da personale qualificato ed esperto che dovrà farsi carico di stabilire le prove previste in funzione dei rischi presenti e di verificare il rispetto di quanto previsto da leggi, normative e regolamenti, ed in particolare tutti i requisiti delle norme EN 13241-1, EN 12445 ed EN 12453 che stabilisce i metodi di prova per la verifica degli automatismi per cancelli.

5.1 - Collaudo

Ogni singolo componente dell'automazione, ad esempio bordi sensibili, fotocellule, arresto di emergenza, ecc. richiede una specifica fase di collaudo; per questi dispositivi si devono eseguire le procedure riportate nei rispettivi manuali istruzioni. Per il collaudo del motoriduttore, procedere nel modo seguente:

- 1 Verificare che sia stato rispettato rigorosamente, in materia di sicurezza, quanto previsto nel Capitolo 1 - Avvertenze e precauzioni generali per la sicurezza.
- 2 Portare il cancello in posizione di chiusura.
- 3 **Togliere qualsiasi sorgente di alimentazione elettrica alla centrale di**

comando.

- 4 Sbloccare il motoriduttore con l'apposita chiave (vedere il **paragrafo 3.6**).
- 5 Muovere l'anta del cancello con le mani, fino all'apertura massima; durante il movimento accertarsi che questo avvenga con un attrito minimo e con uno sforzo costante in ogni punto della corsa: non devono esserci punti in cui l'attrito è maggiore che in altri punti.
- 6 Muovere l'anta del cancello con le mani e lasciarla ferma in diversi punti della sua corsa; quindi accertarsi che l'anta resti in equilibrio, cioè che non si muova.
- 7 Accertarsi che i sistemi di sicurezza e gli arresti meccanici siano in buono stato.
- 8 Accertarsi che i morsetti a vite utilizzati per realizzare i collegamenti elettrici, siano ben stretti.
- 9 Bloccare il motoriduttore con l'apposita chiave (vedere il **paragrafo 3.6**).
- 10 Dare alimentazione elettrica alla centrale di comando.
- 11 Eseguire la misura della forza d'impatto secondo quanto previsto dalla norma EN 12445. Se il controllo della "forza motore" viene usato dalla Centrale come ausilio al sistema per la riduzione della forza di impatto, provare a regolare le funzioni che offrono parametri migliori.
- 12 In una zona adiacente all'automazione, fissare in modo permanente l'etichetta che descrive come sbloccare e ribloccare manualmente il motoriduttore.

5.2 - Messa in servizio

La messa in servizio può avvenire solo dopo aver eseguito con esito positivo tutte le fasi di collaudo del motoriduttore e degli altri dispositivi presenti. Per eseguire la messa in servizio fare riferimento al manuale istruzioni della Centrale di comando.

IMPORTANTE – È vietata la messa in servizio parziale o in situazioni "provvisorie".

6 MANUTENZIONE DEL PRODOTTO

La manutenzione deve essere effettuata nel pieno rispetto delle prescrizioni sulla sicurezza del presente manuale e secondo quanto previsto dalle leggi e normative vigenti.

I dispositivi per l'automazione non necessitano di manutenzioni particolari; verificare comunque periodicamente, almeno ogni sei mesi, la perfetta efficienza di tutti i dispositivi.

A tale scopo eseguire per intero le prove e le verifiche previste nel paragrafo 5.1 "Collaudo" ed eseguire quanto previsto nel paragrafo "Interventi di manutenzione concessi all'utilizzatore".

Se sono presenti altri dispositivi, seguire quanto previsto nel rispettivo piano manutenzione.

Nel caso di sostituzione del motore, è possibile usare il perno sostitutivo e muovere manualmente il cancello: per inserire il perno vedere **fig. 21**.

SMALTIMENTO DEL PRODOTTO

Questo prodotto è parte integrante dell'automazione, e dunque, deve essere smaltito insieme con essa.

Come per le operazioni d'installazione, anche al termine della vita di questo prodotto, le operazioni di smantellamento devono essere eseguite da personale qualificato.

Questo prodotto è costituito da vari tipi di materiali: alcuni possono essere riciclati, altri devono essere smaltiti. Informatevi sui sistemi di riciclaggio o smaltimento previsti dai regolamenti vigenti sul vostro territorio, per questa categoria di prodotto.

Attenzione! – alcune parti del prodotto possono contenere sostanze inquinanti o pericolose che, se disperse nell'ambiente, potrebbero provocare effetti dannosi sull'ambiente stesso e sulla salute umana.

Come indicato dal simbolo a lato, è vietato gettare questo prodotto nei rifiuti domestici. Eseguire quindi la "raccolta separata" per lo smaltimento, secondo i metodi previsti dai regolamenti vigenti sul vostro territorio, oppure riconsegnare il prodotto al venditore nel momento dell'acquisto di un nuovo prodotto equivalente.



Attenzione! – i regolamenti vigenti a livello locale possono prevedere pesanti sanzioni in caso di smaltimento abusivo di questo prodotto.

CARATTERISTICHE TECNICHE DEL PRODOTTO

AVVERTENZE • Tutte le caratteristiche tecniche riportate, sono riferite ad una temperatura ambientale di 20°C (± 5°C). • Nice S.p.A. si riserva il diritto di apportare modifiche al prodotto in qualsiasi momento lo riterrà necessario, mantenendone comunque la stessa funzionalità e destinazione d'uso.

- **Tipologia:** Motoriduttore elettromeccanico per cancelli o portoni ad ante battenti
- **Alimentazione:** 24 V ===
- **Assorbimento nominale:** 1 A
- **Assorbimento massimo:** 2.9 A
- **Potenza nominale:** 25 W
- **Potenza massima:** 70 W
- **Grado di protezione:** IP 67
- **Corsa:** 0°...120° (±10°)
- **Velocità nominale:** 1.5 rpm
- **Coppia nominale:** 60 Nm
- **Coppia massima:** 150 Nm
- **Temperatura di funzionamento:** -20°C...+50°C
- **Cicli/ora alla coppia nominale:** 60
- **Dimensioni (mm):** 305 x 145 x 346
- **Peso (kg):** 5.5

Dichiarazione CE di conformità e dichiarazione di incorporazione di "quasi-macchine"

Dichiarazione in accordo alle Direttive: 2014/30/UE (EMC); 2006/42/CE (MD) allegato II, parte B.

Nota - Il contenuto di questa dichiarazione corrisponde a quanto dichiarato nel documento ufficiale depositato presso la sede di Nice S.p.A., e in particolare, alla sua ultima revisione disponibile prima della stampa di questo manuale. Il testo qui presente è stato riadattato per motivi editoriali. Copia della dichiarazione originale può essere richiesta a Nice S.p.A. (TV) Italy.

Numero dichiarazione: **589/OLTRE**

Revisione: **0**

Lingua: **IT**

Nome produttore: NICE S.p.A.

Indirizzo: Via Pezza Alta N°13, 31046 Rustignè di Oderzo (TV) Italy.

Persona autorizzata a costituire la documentazione tecnica: NICE S.p.A. – Via Pezza Alta N°13, 31046 Rustignè di Oderzo (TV) Italy.

Tipo di prodotto: Motoriduttore elettromeccanico 24Vd.c., per cancelli a battente.

Modello / Tipo: OLTRE1824

Accessori:

Il sottoscritto Roberto Griffa, in qualità di Amministratore Delegato, dichiara sotto la propria responsabilità che i prodotti sopra indicati risultano conformi alle disposizioni imposte dalle seguenti direttive:

- DIRETTIVA 2014/30/UE DEL PARLAMENTO EUROPEO E DEL CONSIGLIO del 26 febbraio 2014 concernente il ravvicinamento delle legislazioni degli Stati membri relative alla compatibilità elettromagnetica (rifusione), secondo le seguenti norme armonizzate: EN 61000-6-2:2005; EN 61000-6-3:2007 + A1:2011.

Inoltre il prodotto risulta essere conforme alla seguente direttiva secondo i requisiti previsti per le "quasi macchine":

- Direttiva 2006/42/CE DEL PARLAMENTO EUROPEO E DEL CONSIGLIO del 17 maggio 2006 relativa alle macchine e che modifica la direttiva 95/16/CE (rifusione).
 - Si dichiara che la documentazione tecnica pertinente è stata compilata in conformità all'allegato VII-B della direttiva 2006/42/CE e che sono stati rispettati i seguenti requisiti essenziali:
1.1.1 - 1.1.2 - 1.1.3 - 1.2.1 - 1.2.6 - 1.5.1 - 1.5.2 - 1.5.5 - 1.5.6 - 1.5.7 - 1.5.8 - 1.5.10 - 1.5.11.
 - Il produttore si impegna a trasmettere alle autorità nazionali, in risposta ad una motivata richiesta, le informazioni pertinenti sulla "quasi macchina", mantenendo impregiudicati i propri diritti di proprietà intellettuale.
 - Qualora la "quasi macchina" sia messa in servizio in un paese europeo con lingua ufficiale diversa da quella usata nella presente dichiarazione, l'importatore ha l'obbligo di associare alla presente dichiarazione la relativa traduzione.
 - Si avverte che la "quasi macchina" non dovrà essere messa in servizio finché la macchina finale in cui sarà incorporata non sarà a sua volta dichiarata conforme, se del caso, alle disposizioni della direttiva 2006/42/CE.

Inoltre il prodotto risulta conforme alle seguenti norme: EN 60335-1:2002 + A1:2004 + A11:2004 + A12:2006 + A2:2006 + A13:2008 + A14:2010 + A15:2011; EN 60335-2-103:2003 + A11:2009.

Il prodotto risulta conforme, limitatamente alle parti applicabili, alle seguenti norme: EN 13241-1:2003 + A1:2011; EN 12445:2000; EN 12453:2000; EN 12978:2003 + A1:2009.

Oderzo, 21 Aprile 2016

Ing. **Roberto Griffa**
(Amministratore Delegato)

⚠ Si consiglia di conservare questa guida all'uso e consegnarla a tutti gli utilizzatori dell'automatismo.

11.1 – AVVERTENZE

- Sorvegliare il cancello in movimento e tenersi a distanza di sicurezza finché il cancello non si sia completamente aperto o chiuso; non transitare nel passaggio fino a che il cancello non sia completamente aperto e fermo.
- Non lasciare che i bambini giochino in prossimità del cancello o con i comandi dello stesso.
- Tenere i trasmettitori lontano dai bambini.
- Sospendere immediatamente l'uso dell'automatismo non appena notate un funzionamento anomalo (rumori o movimenti a scossoni); il mancato rispetto di questa avvertenza può comportare gravi pericoli e rischi di infortuni.
- Non toccare nessuna parte mentre è in movimento.
- Fate eseguire i controlli periodici secondo quanto previsto dal piano di manutenzione.
- Manutenzioni o riparazioni devono essere effettuate solo da personale tecnico qualificato.
- Inviare un comando con i dispositivi di sicurezza fuori uso:

Nel caso in cui le sicurezze non dovessero funzionare correttamente o dovessero essere fuori uso, è possibile comunque comandare il cancello.

01. Azionare il comando del cancello con il trasmettitore. Se le sicurezze danno il consenso, il cancello si aprirà normalmente, altrimenti entro 3 secondi si deve azionare nuovamente e tenere azionato il comando.

02. Dopo circa 2 secondi inizierà il movimento del cancello in modalità a "uomo presente", ossia finché si mantiene il comando, il cancello continuerà a muoversi; appena il comando viene rilasciato, il cancello si ferma.

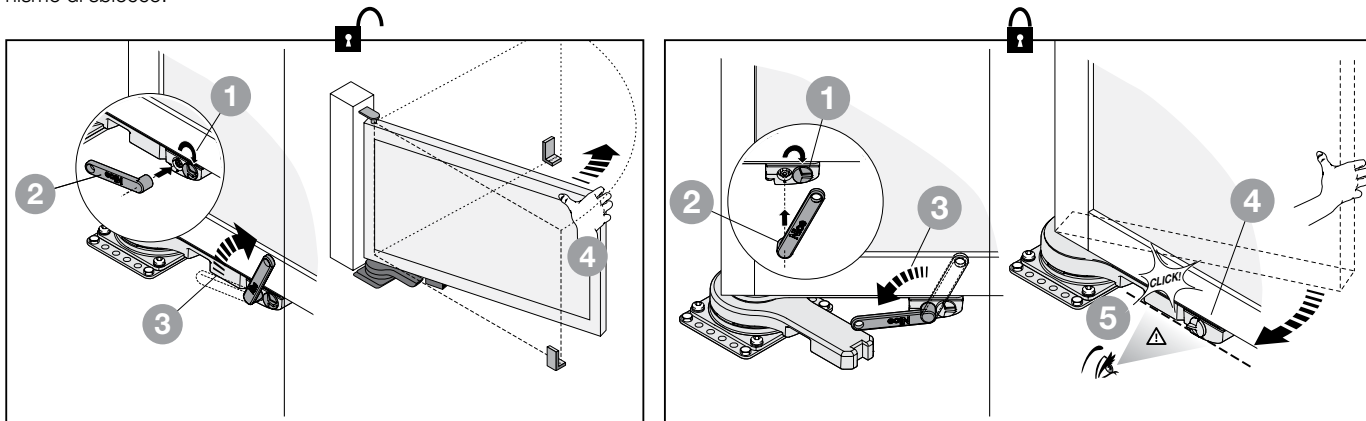
Con le sicurezze fuori uso è necessario far riparare quanto prima l'automatismo.

11.2 – Sbloccare e bloccare manualmente il motoriduttore

Il motoriduttore OLTRE1824 è dotato di un sistema meccanico che consente di aprire e chiudere il cancello manualmente.

L'operazione manuale deve essere eseguita nel caso di mancanza di corrente o di anomalie dell'impianto.

In caso di guasto al motoriduttore è comunque possibile provare ad utilizzare lo sblocco del motore per verificare se il guasto non risiede nel meccanismo di sblocco.



11.3 – Interventi di manutenzione concessi all'utilizzatore

Di seguito sono elencati gli interventi che l'utilizzatore deve eseguire periodicamente:

- **Pulizia superficiale dei dispositivi:** utilizzare un panno leggermente umido (non bagnato). Non utilizzare sostanze contenenti alcool, benzene, diluenti o altre sostanze infiammabili; l'uso di tali sostanze potrebbe danneggiare i dispositivi e generare incendi o scosse elettriche.
- **Rimozione di foglie e sassi:** togliere l'alimentazione all'automazione prima di procedere, per impedire che qualcuno possa azionare il cancello. Se è presente una batteria tampone, scollegare anche quella.



1 MISES EN GARDE ET PRÉCAUTIONS GÉNÉRALES DE SÉCURITÉ

INSTRUCTIONS GÉNÉRALES

ATTENTION - Instructions importantes pour la sécurité. Il est important de suivre toutes les instructions fournies étant donné qu'une installation incorrecte est susceptible de provoquer des dommages graves
ATTENTION - Instructions importantes pour la sécurité. Pour la sécurité des personnes, il est important de suivre ces instructions. Conserver ces instructions

- Avant de commencer l'installation, vérifier les « Caractéristiques techniques du produit » en s'assurant notamment qu'il est bien adapté à l'automatisation de votre pièce guidée. Dans le cas contraire, NE PAS procéder à l'installation
- Le produit ne peut pas être utilisé avant d'avoir effectué la mise en service comme l'explique le chapitre « Essai et mise en service »

ATTENTION - Conformément à la législation européenne actuelle, la réalisation d'un automatisme implique le respect des normes harmonisées prévues par la Directive Machines en vigueur, qui permettent de déclarer la conformité présumée de l'automatisme. De ce fait, toutes les opérations de branchement au secteur électrique, d'essai, de mise en service et de maintenance du produit doivent être effectuées exclusivement par un technicien qualifié et compétent !

- Avant l'installation du produit, s'assurer que tout le matériel à utiliser est en excellent état et adapté à l'usage prévu
- Le produit ne peut être utilisé par des personnes (y compris des enfants) dont les capacités physiques, sensorielles ou mentales sont limitées, ou ne disposant pas de l'expérience ou des connaissances nécessaires
- Les enfants ne doivent pas jouer avec l'appareil
- Ne pas laisser les enfants jouer avec les dispositifs de commande du produit. Conserver les télécommandes hors de la portée des enfants

ATTENTION - Afin d'éviter tout danger dû au réarmement accidentel du disjoncteur, cet appareil ne doit pas être alimenté par le biais d'un dispositif de manœuvre externe, par ex : temporisateur, ou bien être connecté à un circuit régulièrement alimenté ou déconnecté par la ligne

- Sur le réseau d'alimentation de l'installation, prévoir un disjoncteur (vendu séparément) ayant un écart d'ouverture entre les contacts qui garantisse la coupure complète du courant électrique dans les conditions prévues pour la catégorie de surtension III
- Pendant l'installation, manipuler le produit avec soin en évitant tout écrasement, choc, chute ou contact avec des liquides de quelque nature que ce soit. Ne pas positionner le produit près de sources de chaleur, ni l'exposer à des flammes nues. Toutes ces actions peuvent l'endommager et créer des dysfonctionnements ou des situations de danger. Le cas échéant, suspendre immédiatement l'installation et s'adresser au service après-vente
- Le fabricant décline toute responsabilité en cas de dommages patrimoniaux causés à des biens ou à des personnes dérivant du non-respect des instructions de montage. Dans ces cas, la garantie pour défauts matériels est exclue
- Le niveau de pression acoustique d'émission pondérée A est inférieur à 70 dB(A)
- Le nettoyage et la maintenance qui doivent être effectués par l'utilisateur ne doivent pas être confiés à des enfants sans surveillance
- Avant toute intervention (maintenance, nettoyage), il faut toujours débrancher le produit du secteur
- Contrôler fréquemment l'installation, en particulier les câbles, les ressorts et les supports pour repérer d'éventuels déséquilibres et signes d'usure ou de dommages. Ne pas utiliser l'installation en cas de réparations ou de réglages nécessaires étant donné qu'une panne ou un mauvais équilibrage de l'automatisme peut provoquer des blessures
- Les matériaux d'emballage du produit doivent être mis au rebut dans le plein respect des normes locales en vigueur
- Éloigner les personnes de l'automatisme lors de son actionnement au moyen des éléments de commande
- Durant cette opération, contrôler l'automatisme et s'assurer que les personnes restent bien à une distance de sécurité jusqu'à la fin de la manœuvre
- Ne pas activer le produit lorsque des personnes effectuent des travaux sur l'automatisme ; débrancher l'alimentation électrique avant de permettre la réalisation de ces travaux

INSTALLATION PRECAUTIONS

- Avant d'installer la motorisation, contrôler que tous les organes mécaniques sont en bon état, qu'ils sont correctement équilibrés et qu'aucun obstacle n'empêche le bon actionnement de l'automatisme

- Si le portail à automatiser est équipé d'une porte piétonne, préparer l'installation avec un système de contrôle qui désactive le fonctionnement du moteur lorsque la porte piétonne est ouverte
- S'assurer que les éléments de commande sont bien à l'écart des organes en mouvement tout en restant directement visibles.
 Sous réserve de l'utilisation d'un sélecteur, les éléments de commande doivent être installés à une hauteur minimale de 1,5 m et ne doivent pas être accessibles
- En cas de mouvement d'ouverture contrôlé par un système anti-incendie, s'assurer de la fermeture des éventuelles fenêtres de plus de 200 mm par les éléments de commande
- Prévenir et éviter toute possibilité de coincement entre les parties en mouvement et les parties fixes durant les manœuvres
- Apposer de façon fixe et définitive l'étiquette concernant la manœuvre manuelle près de l'élément qui la permet
- Après l'installation de la motorisation s'assurer que le mécanisme, le système de protection et toute manœuvre manuelle fonctionnent correctement

2 DESCRIPTION DU PRODUIT ET DESTINATION

Ce produit est destiné à l'automatisation de portails ou portes à battants, uniquement en environnement résidentiel.

ATTENTION ! - Toute utilisation autre que celle décrite et dans des conditions ambiantes différentes de celles indiquées dans ce manuel doit être considérée impropre et interdite !

Ce produit est un opérateur électromécanique devant être logé à l'intérieur de la structure creuse du vantail ; la partie qui dépasse du bas du vantail doit être fixée au sol. Il est doté d'un moteur à courant continu de 24 V qui est alimenté par la centrale de commande extérieure à laquelle il faut le raccorder. En cas de coupure de courant (panne d'électricité), il est possible d'ouvrir les vantaux du portail manuellement en déverrouillant le opérateur à l'aide de la clé prévue. Pour procéder au déblocage du vantail et à la manœuvre manuelle, consulter le **paragraphe 3.6**.

3 INSTALLATION

3.1 - Vérifications préalables à l'installation

Avant de procéder à l'installation, il faut vérifier le bon état des composants du produit, la conformité du modèle choisi et l'adéquation du local destiné à l'installation.

IMPORTANT - L'opérateur ne peut pas automatiser un portail qui ne dispose pas d'une structure mécanique sûre et en état fonctionnement. En outre, il ne peut pas non plus résoudre les défauts causés par une installation erronée ou par une mauvaise maintenance du portail.

3.2 - Concordance du portail à automatiser et du milieu environnant

- Vérifier que la structure mécanique du portail soye pour être automatisée et conforme aux normes en vigueur sur le territoire (consulter éventuellement les données reprises sur l'étiquette du portail).
- Déplacer le vantail du portail à la main, en position d'ouverture et de fermeture maximale ; pendant la manœuvre s'assurer que le mouvement se produit avec un frottement minimal et un effort constant sur chaque point de la course : il ne doit pas y avoir d'endroits où il y a davantage de frottement qu'ailleurs.
- Déplacer le vantail du portail à la main et l'arrêter à différents endroits de sa course ; vérifier que le vantail est bien équilibré, c'est à dire qu'il ne bouge pas.
- Vérifier que l'espace autour du opérateur permette de débloquer manuellement les vantaux du portail, de façon aisée et sûre.
- Prévoir des arrêtoirs de fin de course au sol tant pour l'ouverture que pour la fermeture du portail.
- Vérifier que la zone de fixation du opérateur soit compatible avec les dimensions de ce dernier (**fig. 1**).

3.3 - Limites d'utilisation du produit

- Le vantail sur lequel est installé le opérateur ne doit pas dépasser 100 kg et 1.80 m de long.
- Le opérateur doit être connecté exclusivement à la centrale **MC824L**.
- Étant donné que le opérateur doit être installé à l'intérieur du vantail de portail, le montant du vantail (celui où se trouve le pivot de rotation) doit être constitué d'un profilé creux à l'intérieur et disposant d'un espace de logement égal ou supérieur à Ø 56 mm.
- Il faut obligatoirement installer des arrêtoirs mécaniques aux endroits prévus pour la fin de course en ouverture et pour la fin de course en fermeture (ces accessoires ne sont pas fournis de série).

3.4 - Travaux de pré-installation

La **fig. 2** montre un exemple d'installation complète, réalisée avec des composants Nice. Ces composants sont positionnés selon un schéma typique et commun. Se référer à la **fig. 2** pour établir la position approximative d'installation de chacun des composants prévus et pour établir le schéma des connexions électriques entre les composants.

Composants utiles pour réaliser une installation complète (fig. 2):

- A** - Opérateur électromécaniques
- B** - Centrale de commande
- C** - Paire de photocellules
- D** - Colonnes pour paire de photocellules (C)
- E** - Few clignotant avec antenne incorporée
- F** - Clavier numérique / Sélecteur à clé
- G** - Paire d'arrêtors mécaniques en ouverture et en fermeture

3.5 - Installation

Pour installer le opérateur effectuer toutes les phases d'installation illustrées dans les figures en partant **de la fig. 1 jusqu'à la fig. 18**. Respecter scrupuleusement l'ordre indiqué.

3.6 - Déblocage et blocage manuel de opérateur

Pour **débloquer** ou **bloquer** le motoréducteur, utiliser le levier fourni en procédant comme suit :

• Pour débloquer un vantail (se référer à la fig. 19) :

- 01.** Choisir le côté du vantail sur lequel intervenir.
- 02.** Pour avoir accès à la serrure, tourner son couvercle de 180° (faire un essai pour comprendre dans quel sens il faut le tourner).
- 03.** Introduire le levier dans la serrure et tourner de 180° dans le sens des aiguilles d'une montre.
- 04.** Sortir le levier de la serrure et remettre le couvercle de serrure en place.
- 05.** Déplacer enfin le vantail à la main jusqu'à la position voulue.

• Pour bloquer un vantail (se référer à la fig. 20) :

- 01.** Choisir le côté du vantail sur lequel intervenir.
- 02.** Pour avoir accès à la serrure, tourner son couvercle de 180° (faire un essai pour comprendre dans quel sens il faut le tourner).
- 03.** Introduire le levier dans la serrure et tourner de 180° dans le sens inverse des aiguilles d'une montre.
- 04.** Sortir le levier de la serrure et remettre le couvercle de serrure en place.
- 05.** Déplacer le vantail à la main jusqu'en face de la serrure ; ne le lâcher qu'après avoir entendu le déclic de la serrure (= vantail verrouillé au opérateur).

4 RACCORDEMENTS ÉLECTRIQUES

Mises en garde :

- Le opérateur doit être connecté exclusivement à la centrale **MC824L**.
- Le opérateur est doté d'un câble d'alimentation électrique d'une longueur de 3 m. S'il est nécessaire de couvrir une plus grande distance pour le connecter à la centrale MC824L, **il faut obligatoirement utiliser une boîte de dérivation (non fournie) pour protéger de façon adéquate les ajouts de câble électrique.**
- **Effectuer les raccordements électriques après avoir débranché l'alimentation de secteur.**

Pour connecter le câble d'alimentation à la centrale de commande, consulter le manuel de la centrale et les indications suivantes :

FIL	RACCORDEMENT
fil Bleu	Alimentation moteur 24 V
fil Marron	Alimentation moteur 24 V

5 TEST ET MISE EN SERVICE

Il s'agit des phases les plus importantes dans la réalisation de l'automatisation afin de garantir la sécurité maximum.

L'essai peut être utilisé également comme vérification périodique des dispositifs qui composent l'automatisme.

⚠ ATTENTION ! – L'essai et la mise en service de l'automatisme doivent être effectués par du personnel qualifié et expérimenté qui devra se charger d'établir les essais prévus en fonction des risques présents et vérifier le respect de ce qui est prévu par les lois, les normes et les réglementations ; en particulier toutes les conditions requises par les normes EN 13241-1, EN 12445 et EN 12453 qui établissent les méthodes d'essai pour la vérification des automatismes de portails.

5.1 - Test

Chaque composant individuel de l'automatisme, par exemple les bords sensibles, les photocellules, l'arrêt d'urgence, etc., requiert une phase de test spécifique ; pour ces dispositifs, il faut suivre les procédures reprises dans les manuels d'instructions respectifs. Pour l'essai du opérateur, procéder comme suit :

- 1** Vérifier d'avoir respecté scrupuleusement, en matière de sécurité, ce qui est prévu au Chapitre 1 - Mises en garde et précautions générales de sécurité.
- 2** Situer le portail dans la position de fermeture.
- 3** **Débrancher toutes les sources d'alimentation électrique à la centrale de commande.**
- 4** Débloquent le opérateur à l'aide de la clé appropriée (voir **paragraphe 3.6**).
- 5** Déplacer le vantail du portail à la main, jusqu'à son ouverture maximale ; pendant la manœuvre s'assurer que le mouvement se produit avec un frottement minimal et un effort constant sur chaque point de la course : il ne doit pas y avoir d'endroits où il y a davantage de frottement qu'ailleurs.
- 6** Déplacer le vantail du portail à la main et l'arrêter à différents endroits de sa course ; vérifier l'équilibrage des vantaux, c'est à dire qu'il ne bouge pas.
- 7** S'assurer que les dispositifs de sécurité et les arrêtors mécaniques sont en bon état.
- 8** S'assurer que les bornes à vis utilisées pour la réalisation des connexions électriques sont bien serrées.
- 9** Bloquer le l'opérateur à l'aide de la clé appropriée (voir **paragraphe 3.6**).
- 10** Brancher l'alimentation électrique à la centrale de commande.
- 11** Effectuer la mesure de la force d'impact selon les dispositions prévues par la norme EN 12445. Si le contrôle de la "force moteur" est utilisé par la Centrale comme auxiliaire au système pour la réduction de la force d'impact, essayer de régler les fonctions qui offrent de meilleurs paramètres.
- 12** Dans un endroit jouxtant l'automatisme, fixer de façon définitive l'étiquette qui décrit comment débloquent et bloquer manuellement le opérateur.

5.2 - Mise en service

La mise en service ne peut avoir lieu qu'après avoir effectué positivement toutes les phases de test du motoréducteur et des autres dispositifs présents. Pour effectuer la mise en service, consulter le manuel d'instructions de la Centrale de commande.

IMPORTANT – La mise en service partielle ou en situations "provisoires" est interdite.

6 MAINTENANCE DU PRODUIT

La maintenance doit être effectuée dans le respect absolu des consignes de sécurité de la présente notice et selon les prescriptions des lois et des normes en vigueur.

Les dispositifs pour l'automatisation n'ont pas besoin d'être soumis à une maintenance particulière ; vérifier toutefois périodiquement, au moins tous les six mois, le bon fonctionnement de tous les dispositifs.

Pour cela, effectuer tous les essais et contrôles prévus dans le paragraphe 5.1 « Test » et effectuer ce qui est prévu dans le paragraphe « Interventions d'entretien autorisées à l'utilisateur ».

Si l'installation comprend d'autres dispositifs, suivre les indications prévues dans le plan de maintenance.

En cas de remplacement du moteur, il est possible d'utiliser le pivot de remplacement et déplacer manuellement le portail : voir la **fig. 21** pour l'insertion du pivot.

ÉLIMINATION DU PRODUIT

Ce produit fait partie intégrante de l'automatisation et il doit donc être éliminé en même temps que celle-ci.

Comme pour les opérations d'installation, à la fin de la vie de ce produit, les opérations de démantèlement doivent aussi être effectuées par du personnel qualifié.

Ce produit se compose de différents types de matériaux : certains peuvent être recyclés, d'autres doivent être éliminés. Informez-vous sur les systèmes de recyclage ou d'élimination prévus par les règlements en vigueur sur votre territoire pour cette catégorie de produit.

Attention ! – certaines parties du produit peuvent contenir des substances polluantes ou dangereuses qui, si elles sont jetées dans l'environnement, pourraient avoir des effets nocifs sur l'environnement et sur la santé des personnes.

Comme indiqué par le symbole ci-contre, il est interdit de jeter ce produit avec les déchets domestiques. Effectuer donc le "rassage séparé" pour l'élimination, selon les méthodes prévues par les règlements en vigueur sur votre territoire ou remettre le produit au vendeur au moment de l'achat d'un nouveau produit équivalent.



Attention ! – les règlements en vigueur au niveau local peuvent prévoir de lourdes sanctions en cas d'élimination abusive de ce produit.

CARACTÉRISTIQUES TECHNIQUES DU PRODUIT

MISES EN GARDE • Toutes les caractéristiques techniques reprises se réfèrent à une température ambiante de 20°C (± 5°C). • Nice S.p.A. se réserve le droit d'apporter des modifications au produit à chaque fois qu'elle le jugera nécessaire, tout en conservant cependant ses fonctions et sa destination d'usage.

- **Type:** Opérateur électromécanique pour portails ou portes battantes à vantaux
- **Alimentation:** 24 V ==
- **Absorption nominal:** 1 A
- **Absorption maximale:** 2.9 A
- **Puissance nominal:** 25 W
- **Puissance maximale:** 70 W
- **Degré de protection:** IP 67
- **Course:** 0°...120° (±10°)
- **Vitesse nominal:** 1.5 rpm
- **Couple nominal:** 60 Nm
- **Couple maximum:** 150 Nm
- **Température de fonctionnement:** -20°C...+50°C
- **Cycles/heure au couple nominal:** 60
- **Dimensions (mm):** 305 x 145 x 346
- **Poids (kg):** 5.5

Déclaration CE de conformité et déclaration d'incorporation de « quasi-machines »

Déclaration conforme aux Directives : 2014/30/UE (EMC); 2006/42/CE (MD) annexe II, partie B.

Note - Le contenu de cette déclaration correspond à ce qui a été déclaré dans le document officiel déposé au siège social de Nice S.p.A. et, en particulier, à la dernière mise à jour disponible avant l'impression de ce manuel. Le présent texte a été réadapté pour raisons d'édition. Une copie de la déclaration originale peut être demandée à Nice S.p.A. (TV) - Italy.

Numéro de déclaration : **589/OLTRE**

Révision : **0**

Langue : **FR**

Nom du fabricant : NICE S.p.A.

Adresse : Via Pezza Alta N°13, 31046 Rustignè di Oderzo (TV) Italy.

Personne autorisée à constituer la documentation technique : NICE S.p.A. – Via Pezza Alta N°13, 31046 Rustignè di Oderzo (TV) Italy.

Type de produit : Motoréducteur électromécanique 24Vd.c., pour portails battants.

Modèle / Type : OLTRE1824

Accessoires :

Le soussigné Roberto Griffa, en qualité de Chief Executive Officer, déclare sous son entière responsabilité que les produits sus-indiqués sont conformes aux dispositions prescrites par les directives suivantes :

- DIRECTIVE 2014/30/UE DU PARLEMENT EUROPÉEN ET DU CONSEIL du 26 février 2014 relative au rapprochement des législations des États membres concernant la compatibilité électromagnétique (refonte), selon les normes harmonisées suivantes : EN 61000-6-2:2005; EN 61000-6-3:2007 + A1:2011.

En outre, le produit s'avère conforme à la Directive ci-après selon les conditions essentielles requises pour les « quasi-machines » :

- Directive 2006/42/CE DU PARLEMENT EUROPÉEN ET DU CONSEIL du 17 mai 2006 relative aux machines et modifiant la Directive 95/16/CE (refonte).
 - Nous déclarons que la documentation technique pertinente a été remplie conformément à l'Annexe VII B de la Directive 2006/42/CE et que les conditions essentielles suivantes ont été respectées :
1.1.1 - 1.1.2 - 1.1.3 - 1.2.1 -1.2.6 - 1.5.1 -1.5.2 - 1.5.5 - 1.5.6 - 1.5.7 - 1.5.8 - 1.5.10 - 1.5.11.
 - Le fabricant s'engage à transmettre aux autorités nationales, en réponse à une demande motivée, les renseignements pertinents sur la « quasi-machine », sans préjudice de ses droits de propriété intellectuelle.
 - Si la « quasi-machine » est mise en service dans un pays européen dont la langue officielle est différente de celle employée dans la présente déclaration, l'importateur est tenu d'accompagner la présente déclaration de la traduction y afférente.
 - Nous avertissons que la « quasi-machine » ne devra pas être mise en service tant que la machine finale à laquelle elle sera incorporée n'aura pas à son tour été déclarée conforme, s'il y a lieu, aux dispositions de la Directive 2006/42/CE.

En outre, le produit s'avère conforme aux normes suivantes : EN 60335-1:2002 + A1:2004 + A11:2004 + A12:2006 + A2:2006 + A13:2008 + A14:2010 + A15:2011; EN 60335-2-103:2003 + A11:2009.

Le produit s'avère conforme, limitativement aux parties applicables, aux normes suivantes : EN 13241-1:2003 + A1:2011; EN 12445:2000; EN 12453:2000; EN 12978:2003 + A1:2009.

Oderzo, le 21 avril 2016

Ing. **Roberto Griffa**
(Chief Executive Officer)

⚠ Il est conseillé de conserver cette notice et de la remettre à tous les utilisateurs de l'automatisme.

11.1 – RECOMMANDATIONS

- Surveiller le portail en mouvement et se tenir à une distance de sécurité tant qu'il n'est pas complètement ouvert ou fermé ; ne pas transiter dans le passage tant que le portail n'est pas complètement ouvert ou fermé.
- Ne pas laisser les enfants jouer à proximité du portail ou avec les commandes de celle-ci.
- Garder les émetteurs hors de portée des enfants.
- Suspendre immédiatement l'utilisation de l'automatisme si vous notez une anomalie quelconque dans le fonctionnement (bruits ou mouvements par secousses) ; le non-respect de cet avertissement peut entraîner de graves dangers et des risques d'accidents.
- Ne toucher aucune partie pendant qu'elle est en mouvement.
- Faire effectuer les contrôles périodiques suivant ce qui est prévu par le plan de maintenance.
- Les maintenances ou les réparations doivent être effectuées seulement par du personnel technique qualifié.
- Envoyer une commande avec les dispositifs de sécurité hors d'usage :

Si les dispositifs de sécurité ne fonctionnent pas correctement ou sont hors service, il est quand même possible de commander le portail.

01. Actionner la commande du portail avec l'émetteur. Si les dispositifs de sécurité donnent l'autorisation, le portail s'ouvrira normalement, sinon dans les 3 secondes qui suivent, actionner de nouveau et garder la commande actionnée.
02. Au bout d'environ 2 secondes, le mouvement du portail commencera en mode « action maintenue », c'est-à-dire que tant que la commande est maintenue, le portail continue sa manœuvre ; dès que la commande est relâchée, le portail s'arrête.

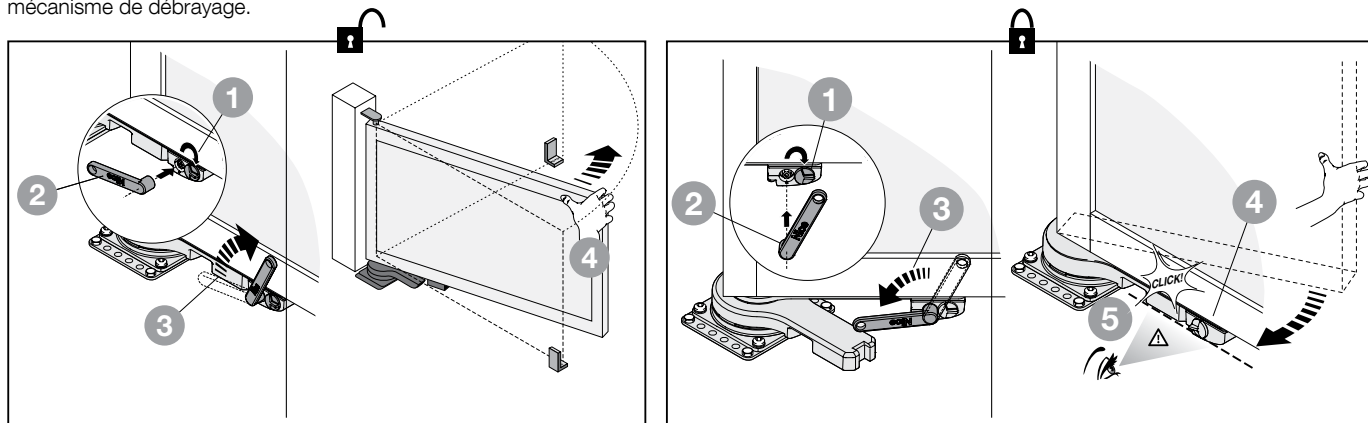
Si les dispositifs de sécurité sont hors service, il faut faire réparer au plus tôt l'automatisme.

11.2 – Débrayer et bloquer manuellement l'opérateur

L'opérateur OLTRE1824 est muni d'un système mécanique qui permet d'ouvrir et de fermer manuellement le portail.

L'opération manuelle doit être utilisée en cas de panne de courant ou d'anomalies de l'installation.

En cas de panne de l'opérateur, il est tout de même possible d'essayer d'utiliser le débrayage du moteur pour vérifier si la panne ne concerne pas le mécanisme de débrayage.



11.3 – Interventions d'entretien autorisées à l'utilisateur

Nous indiquons ci-après les interventions que l'utilisateur doit effectuer périodiquement :

- **Nettoyage superficiel des dispositifs : utiliser un chiffon légèrement humide (pas mouillé). Ne pas utiliser de substances contenant de l'alcool, du benzène, diluant ou autres substances inflammables ; l'utilisation de ces substances pourrait endommager les dispositifs et générer des incendies ou des chocs électriques.**
- **Enlevez les feuilles et les pierres : couper l'alimentation électrique à l'automatisme avant de poursuivre, pour empêcher quiconque d'activer le portail. Si la batterie tampon est présente, la débrancher.**



1 ADVERTENCIAS Y PRECAUCIONES GENERALES PARA LA SEGURIDAD

ADVERTENCIAS GENERALES

- **¡ATENCIÓN!** - Instrucciones importantes para la seguridad. Seguir todas las instrucciones: una instalación incorrecta puede provocar daños graves
- **¡ATENCIÓN!** - Instrucciones importantes para la seguridad. Para la seguridad de las personas es importante seguir estas instrucciones. Conservar estas instrucciones
- Antes de comenzar la instalación, verificar las "Características técnicas del producto" (en este manual) y asegurarse de que el producto sea adecuado para la automatización en cuestión. NO proceder con la instalación si el producto no es adecuado
- El producto no se puede utilizar sin haber llevado a cabo las operaciones de puesta en servicio especificadas en el apartado "Ensayo y puesta en servicio"
- **¡ATENCIÓN!** - Según la legislación europea más reciente, la realización de una automatización debe respetar las normas armonizadas previstas por la Directiva Máquinas vigente, que permiten declarar la presunción de conformidad de la automatización. Considerando todo esto, las operaciones de conexión a la red eléctrica, ensayo, puesta en servicio y mantenimiento del producto deberán ser llevadas a cabo exclusivamente por un técnico cualificado y competente
- Antes de proceder a la instalación del producto, comprobar que todo el material que se vaya a utilizar esté en perfectas condiciones y sea apto para el uso
- **¡ATENCIÓN!** - Para evitar cualquier peligro debido al restablecimiento accidental del interruptor térmico, el aparato no debe alimentarse mediante un dispositivo de maniobra externo, como un temporizador, ni debe conectarse a un circuito que regularmente se conecte y desconecte de la alimentación
- En la red de alimentación de la instalación, colocar un dispositivo de desconexión (no suministrado) con una distancia de apertura de los contactos que permita la desconexión completa en las condiciones dictadas por la categoría de sobretensión III
- Durante la instalación, tratar el producto con cuidado evitando aplastamientos, caídas o contactos con cualquier tipo de líquido. No colocar el producto cerca de fuentes de calor y no exponerlo a llamas libres. Todas estas acciones pueden dañarlo y provocar defectos de funcionamiento o situaciones de peligro. En tal caso, suspender inmediatamente la instalación y acudir al Servicio de Asistencia
- El fabricante no asume ninguna responsabilidad ante daños patrimoniales, de bienes o de personas, derivados del incumplimiento de las instrucciones de montaje. En estos casos, la garantía por defectos de material queda sin efecto
- El nivel de presión acústica de la emisión ponderada A es inferior a 70 dB(A).
- La limpieza y el mantenimiento del aparato deben ser efectuados por el usuario y no por niños sin vigilancia
- Antes de realizar cualquier operación en la instalación (limpieza, mantenimiento) hay que desconectar el aparato de la red de alimentación
- Inspeccionar la instalación con frecuencia, especialmente los cables, muelles y soportes, a fin de detectar posibles desequilibrios y marcas de desgaste o daños. No utilizar la instalación si es necesaria una reparación o una regulación: una avería en la instalación o un equilibrio incorrecto de la automatización puede provocar lesiones
- El material del embalaje del producto debe desecharse en plena conformidad con la normativa local
- Mantener a las personas alejadas al accionar el movimiento de la puerta mediante los elementos de mando
- Durante la ejecución de una maniobra, controlar la automatización y asegurarse de que las personas se mantengan alejadas hasta que termine el movimiento
- No poner en funcionamiento el producto cuando en sus proximidades se estén realizando tareas en la automatización; es necesario desconectar la fuente de alimentación antes de realizar estas tareas

ADVERTENCIAS DE INSTALACIÓN

- Antes de instalar el motor de accionamiento, comprobar que todos los órganos mecánicos estén en buenas condiciones y bien equilibrados y que la automatización se abra y se cierre correctamente
- Si la cancela que se desea automatizar incluye una puerta peatonal, es ne-

cesario preparar la instalación con un sistema de control que inhabilite el funcionamiento del motor cuando la puerta peatonal esté abierta

- Asegurarse de que los elementos de mando se mantengan lejos de los órganos en movimiento, permitiendo la visión directa. A no ser que se utilice un selector, los elementos de mando se deben instalar a una altura mínima de 1,5 m y no deben quedar accesibles
- Si el movimiento de apertura es controlado por un sistema antiincendio, asegurarse de que las ventanas de más de 200 mm sean cerradas por los elementos de mando
- Prevenir y evitar cualquier forma de atrapamiento entre las partes en movimiento y las partes fijas durante las maniobras
- Fijar de manera permanente la etiqueta relativa a la maniobra manual cerca del órgano de maniobra
- Después de instalar el motor de accionamiento, asegurarse de que el mecanismo, el sistema de protección y todas las maniobras manuales funcionen correctamente

2 DESCRIPCIÓN DEL PRODUCTO Y DESTINACIÓN DE USO

Este producto está destinado a la automatización de cancelas o portones con hojas batientes exclusivamente en ámbito residencial.

¡ATENCIÓN! – ¡Cualquier uso diferente del uso descrito y en condiciones ambientales diferentes de las indicadas en este manual debe considerarse impropio y prohibido!

El producto es un motorreductor electromecánico que se inserta en la estructura hueca de la hoja de la cancela; la parte que sobresale de la parte inferior de la hoja se debe fijar al suelo. Está provisto de un motor en corriente continua a 24 V alimentado por la central de mando externa, a la cual debe estar conectado. En caso de corte de suministro eléctrico (black-out), es posible mover las hojas manualmente desvinculando el motorreductor de la hoja, con la llave correspondiente. Para el desbloqueo de la hoja y la maniobra manual, ver la **sección 3.6**.

3 INSTALACIÓN

3.1 - Controles previos a la instalación

Antes de efectuar la instalación, es necesario comprobar que los componentes del producto estén en perfectas condiciones, que el modelo elegido sea adecuado y que el ambiente destinado a la instalación sea idóneo.

IMPORTANTE – El motorreductor no puede automatizar una cancela que no tenga una estructura mecánica eficiente y segura. Además, no puede solucionar los defectos causados por una instalación errónea o un mantenimiento incorrecto de la misma.

3.2 - Idoneidad de la cancela que se va a automatizar y del ambiente circundante

- Controle que la estructura mecánica de la cancela se pueda automatizar y esté en conformidad con las normas vigentes en el territorio (eventualmente consulte los datos reproducidos en la etiqueta de la cancela).
- Mover la hoja de la cancela con las manos, abriéndola y cerrándola al máximo; asegurarse de que el movimiento se produzca con un rozamiento mínimo y con un esfuerzo constante en todos los puntos de la carrera: no debe haber puntos en los que el rozamiento resulte mayor que en otros puntos.
- Mover la hoja de la cancela con las manos y dejarla parada en distintos puntos de su carrera; asegurarse de que la hoja permanezca en equilibrio, es decir, que no se mueva.
- Controle que el espacio alrededor del motorreductor permita desbloquear manualmente las hojas de la cancela, de manera fácil y segura.
- Posicione topes de fin de carrera en el suelo, tanto para la apertura como para el cierre de la cancela.
- Controle que la zona de fijación del motorreductor sea compatible con las dimensiones globales del mismo (**fig. 1**).

3.3 - Límites de uso del producto

- La hoja en la que se vaya a instalar el motorreductor no debe superar los 100 kg de peso y 1,80 m de longitud.
- El motorreductor debe estar conectado exclusivamente a la central **MC824L**.
- Como el motorreductor debe estar instalado en la hoja de la cancela, el montante de la hoja (donde se encuentra el eje de rotación) debe estar constituido por un perfil hueco y un espacio de alojamiento de diámetro igual o mayor que Ø 56 mm.
- Es obligatorio instalar topes mecánicos en los puntos preestablecidos para el tope de apertura y de cierre (estos accesorios no se suministran de serie).

3.4 - Trabajos de preparación para la instalación

La **fig. 2** muestra un ejemplo de instalación completa realizada con componentes Nice. Estos componentes están colocados según un esquema típico y habitual. Tomando como referencia la **fig. 2**, establecer la posición aproximada donde se instalará cada componente previsto y establecer el esquema de las conexiones eléctricas entre los componentes.

Componentes útiles para realizar una instalación completa (fig. 2):

- A - Motorreductores electromecánicos
- B - Central de mando
- C - Par de fotocélulas
- D - Columnas para par de fotocélulas (C)
- E - Indicador intermitente con antena incorporada
- F - Teclado digital / Selector de llave
- G - Par de retenes mecánicos en apertura y en cierre

3.5 - Instalación

Para instalar el motorreductor, seguir todas las fases ilustradas en las figuras, **desde la fig. 1 hasta la fig. 18**. Respetar estrictamente la secuencia indicada.

3.6 - Desbloqueo y bloqueo manual del motorreductor

Para desbloquear o bloquear el motorreductor, utilizar la palanca en dotación de la siguiente manera:

• Para desbloquear una hoja (referencia fig. 19):

01. Elegir el lado de la hoja donde se desee intervenir.
02. Acceder a la cerradura girando la tapa 180° (hacer una prueba para entender en qué sentido girar).
03. Poner la palanca en la cerradura y girarla 180°, en sentido horario.
04. Girar la palanca desde la cerradura y cubrir la cerradura con la tapa.
05. Por último, mover la hoja con las manos para llevarla a la posición deseada.

• Para bloquear una hoja (referencia fig. 20):

01. Elegir el lado de la hoja donde se desee intervenir.
02. Acceder a la cerradura girando la tapa 180° (hacer una prueba para entender en qué sentido girar).
03. Poner la palanca en la cerradura y girarla 180°, en sentido antihorario.
04. Girar la palanca desde la cerradura y cubrir la cerradura con la tapa.
05. Mover la hoja con las manos hasta hacerla coincidir con la cerradura; soltarla al oír el encastre de la cerradura (= hoja bloqueada en el motorreductor).

5 INSPECCIÓN Y PRUEBAS Y PUESTA EN SERVICIO

Estas son las etapas más importantes de la realización de la automatización a fin de garantizar su máxima seguridad.

El ensayo puede realizarse a modo de control periódico de los dispositivos que componen la automatización.

⚠ ¡ATENCIÓN! – El ensayo y la puesta en servicio de la automatización deben ser llevados a cabo por personal cualificado y experto, que deberá establecer las pruebas previstas de acuerdo con los riesgos presentes y controlar que se respeten las leyes, normativas y reglamentos, y especialmente todos los requisitos de las normas EN 13241-1, EN 12445 y EN 12453 que establecen los métodos de ensayo de los automatismos para puertas y cancelas.

5.1 - Inspección y pruebas

Todos los componentes del automatismo, como los bordes sensibles, las fotocélulas, la parada de emergencia, etc. requieren una fase específica de inspección y pruebas; para estos dispositivos se deben realizar los procedimientos que se muestran en los respectivos manuales de instrucciones. Para la prueba del motorreductor, proceder de la siguiente manera:

- 1 Controle que se haya respetado rigurosamente, en materia de seguridad, lo previsto en el Capítulo 1 - Advertencias y precauciones generales para la seguridad.
- 2 Lleve la cancela a la posición de cierre.
- 3 **Quite cualquier fuente de alimentación eléctrica a la central de mando.**
- 4 Desbloquee el motorreductor con la llave apropiada (ver la **sección 3.6**).
- 5 Mover la hoja de la cancela con las manos hasta la apertura máxima; asegurarse de que el movimiento se produzca con un rozamiento mínimo y con un esfuerzo constante en todos los puntos de la carrera: no debe haber puntos en los que el rozamiento resulte mayor que en otros puntos.
- 6 Mover la hoja de la cancela con las manos y dejarla parada en distintos puntos de su carrera; asegurarse de que la hoja permanezca en equilibrio, es decir, que no se mueva.
- 7 Asegurarse de que los sistemas de seguridad y los topes mecánicos estén en buen estado.
- 8 Asegurarse de que los bornes roscados utilizados para las conexiones eléctricas estén bien apretados.
- 9 Bloquee el motorreductor con la llave apropiada (ver la **sección 3.6**).
- 10 Conecte la alimentación eléctrica a la central de mando.
- 11 Mida la fuerza de impacto según lo previsto por la norma EN 12445. Si el control de la "fuerza del motor" lo usa la Central como ayuda al sistema para la reducción de la fuerza de impacto, trate de regular las funciones que ofrecen parámetros mejores.
- 12 En una zona adyacente a la automatización, fijar de manera permanente la etiqueta que indica cómo desbloquear y bloquear manualmente el motorreductor.

5.2 - Puesta en servicio

La puesta en servicio puede tener lugar solo después de haber llevado a cabo con éxito todas las fases de inspección y pruebas del motorreductor y de los otros dispositivos presentes. Para la puesta en servicio consulte el manual de instrucciones de la Central de mando.

IMPORTANTE – Se prohíbe la puesta en servicio parcial o en situaciones "provisionales".

6 MANTENIMIENTO DEL PRODUCTO

El mantenimiento debe efectuarse respetando las disposiciones de seguridad de este manual y según las leyes y normativas vigentes.

Los dispositivos para la automatización no requieren mantenimiento especial; sin embargo, se debe verificar periódicamente, por lo menos cada seis meses, el perfecto funcionamiento de los mismos.

Para ello, se deben realizar enteramente las pruebas e inspecciones indicadas en el punto 5.1 "Ensayo" y llevar a cabo todo lo establecido en el punto "Operaciones de mantenimiento permitidas al usuario".

Si hay presentes otros dispositivos, se deberán respetar todas las indicaciones del plan de mantenimiento correspondiente.

En caso de sustitución del motor, es posible utilizar el perno sustitutivo y mover la cancela manualmente: para colocar el perno ver la **fig. 21**.

4 CONEXIONES ELÉCTRICAS

Advertencias:

- El motorreductor debe estar conectado exclusivamente a la central **MC824L**.
- El motorreductor se entrega con un cable de alimentación eléctrica de 3 m de largo. Si es necesario cubrir una distancia mayor para conectarlo a la central MC824L, **es indispensable utilizar una caja de derivación (no suministrada) para proteger adecuadamente los añadidos de cable eléctrico.**
- **Realice las conexiones eléctricas con la alimentación de red desconectada.**

Para conectar el cable de alimentación a la central de mando, véase el manual de la misma y las siguientes indicaciones:

CABLE	CONEXIONE
cable Azul	Alimentación del motor de 24 V
cable Marrón	Alimentación del motor de 24 V

ELIMINACIÓN DEL PRODUCTO

Este producto forma parte integrante del automatismo y por tanto debe ser eliminado junto al mismo.

Como para las operaciones de instalación, también al final de la vida útil de este producto, las operaciones de desmontaje deben ser llevadas a cabo por personal calificado.

Este producto está constituido por tipos diferentes de material: algunos pueden reciclarse, otros deben eliminarse. Infórmese sobre los sistemas de reciclaje o eliminación establecidos en los reglamentos vigentes en su territorio en cuanto a esta categoría de producto.

¡Atención! – algunas partes del producto pueden contener sustancias contaminantes o peligrosas que, si se eliminan en el medio ambiente, pueden provocar efectos nocivos para la salud humana y para el medio ambiente en sí.

Como lo indica el símbolo al lado, está prohibido eliminar este producto en los residuos domésticos. Realice por tanto la "recogida separada" para la eliminación, según los métodos dispuestos en los reglamentos vigentes en su territorio, o entregue el producto al vendedor al comprar un producto nuevo equivalente.



¡Atención! – los reglamentos locales vigentes pueden prever graves sanciones en caso de eliminación incorrecta de este producto.

CARACTERÍSTICAS TÉCNICAS DEL PRODUCTO

ADVERTENCIAS: • Todas las características técnicas indicadas se refieren a una temperatura ambiental de 20 °C (± 5 °C). • Nice S.p.A. se reserva el derecho a modificar el producto cuando lo considere necesario, conservando sin embargo la misma funcionalidad y destino de uso.

- **Tipo:** Motorreductor electromecánico para cancelas o portales de hojas batientes
- **Alimentación:** 24 V $\overline{\text{=}}$
- **Consumo de pico:** 1 A
- **Consumo máximo:** 2.9 A
- **Potencia de pico:** 25 W
- **Potencia máxima:** 70 W
- **Grado de protección:** IP 67
- **Movimiento:** 0°...120° ($\pm 10^\circ$)
- **Velocidad nominal:** 1.5 rpm
- **Par nominal:** 60 Nm
- **Par máximo:** 150 Nm
- **Temperatura de funcionamiento:** -20°C...+50°C
- **Ciclos/hora en par nominal:** 60
- **Dimensiones (mm):** 305 x 145 x 346
- **Peso (kg):** 5.5

Declaración de conformidad CE y declaración de incorporación de una "cuasi máquina"

Declaración de conformidad con las Directivas: 2014/30/UE (CEM); 2006/42/CE (DM), anexo II, parte B.

Nota: el contenido de la presente declaración se corresponde con cuanto se declara en el documento oficial presentado en la sede de Nice S.p.A. y, en particular, con la última revisión disponible antes de la impresión de este manual. El texto aquí contenido se ha adaptado por cuestiones editoriales. No obstante, se puede solicitar una copia de la declaración original a Nice S.p.A. (TV) Italy.

Número de declaración: **589/OLTRE**

Revisión: **0**

Idioma: **ES**

Nombre del fabricante: NICE S.p.A.

Dirección: Via Pezza Alta N°13, 31046 Rustignè di Oderzo (TV), Italy.

Persona autorizada para elaborar la documentación técnica: NICE S.p.A. – Via Pezza Alta N°13, 31046 Rustignè di Oderzo (TV), Italy.

Tipo de producto: Motorreductor electromecánico 24Vd.c., enterrado, para puertas batientes.

Modelo/Tipo: OLTRE1824

Accesorios:

El abajo firmante Roberto Griffa, en calidad de Chief Executive Officer, bajo su propia responsabilidad, declara que los productos arriba indicados cumplen con las disposiciones contempladas en las siguientes Directivas:

- DIRECTIVA 2014/30/UE DEL PARLAMENTO EUROPEO Y DEL CONSEJO, de 26 de febrero de 2014, relativa a la aproximación de las legislaciones de los Estados miembros en materia de compatibilidad electromagnética (refundición), según las siguientes normas armonizadas: EN 61000-6-2:2005; EN 61000-6-3:2007 + A1:2011.

Asimismo, el producto también cumple con la siguiente Directiva de conformidad con los requisitos previstos para las "cuasi máquinas":

- Directiva 2006/42/CE DEL PARLAMENTO EUROPEO Y DEL CONSEJO de 17 de mayo de 2006 relativa a las máquinas y por la que se modifica la Directiva 95/16/CE (refundición).
 - Se declara que la documentación técnica correspondiente se ha elaborado de conformidad con el anexo VII B de la Directiva 2006/42/CE y que se han respetado los siguientes requisitos fundamentales: 1.1.1 - 1.1.2 - 1.1.3 - 1.2.1 - 1.2.6 - 1.5.1 - 1.5.2 - 1.5.5 - 1.5.6 - 1.5.7 - 1.5.8 - 1.5.10 - 1.5.11.
 - El fabricante se compromete a remitir a las autoridades nacionales, previa solicitud justificada, la información pertinente acerca de la "cuasi máquina", sin perjudicar en ningún momento los propios derechos de propiedad intelectual.
 - En caso de que la "cuasi máquina" se ponga en funcionamiento en un país europeo cuya lengua oficial difiera de la que se utiliza en la presente declaración, el importador tiene la obligación de asociar la traducción correspondiente a esta declaración.
 - Se advierte que la "cuasi máquina" no debe ponerse en funcionamiento hasta que, si procede, no se declare la conformidad con las disposiciones contempladas en la Directiva 2006/42/CE de la máquina final en que será incorporada.

El producto también cumple con las siguientes normas:

EN 60335-1:2002 + A1:2004 + A11:2004 + A12:2006 + A2:2006 + A13:2008 + A14:2010 + A15:2011; EN 60335-2-103:2003 + A11:2009.

El producto, con limitación a las partes aplicables, también cumple con las siguientes normas: EN 13241-1:2003 + A1:2011; EN 12445:2000; EN 12453:2000; EN 12978:2003 + A1:2009.

Oderzo, 21 de abril 2016

Ing. **Roberto Griffa**
(Chief Executive Officer)

⚠ Se recomienda conservar esta guía para el uso y entregarla a todos los usuarios de la automatización.

11.1 – ADVERTENCIAS

- Vigilar la cancela en movimiento y mantenerse a la debida distancia de seguridad hasta que quede completamente abierta o completamente cerrada. No entrar ni salir hasta que la cancela esté totalmente abierta e inmóvil.
- No dejar que los niños jueguen cerca de la cancela ni con los mandos de esta.
- Mantener los transmisores fuera del alcance de los niños.
- Suspender de inmediato el uso de la automatización tan pronto como se detecte un funcionamiento anómalo (ruidos o sacudidas); de lo contrario, se puede dar lugar a peligros graves y riesgos de accidente.
- No tocar ninguna de las partes durante el movimiento.
- Disponer la realización de los controles periódicos según lo establece el plan de mantenimiento.
- Las operaciones de mantenimiento o reparación deben ser llevadas a cabo exclusivamente por personal técnico cualificado.
- Realizar un accionamiento con los dispositivos de seguridad fuera de uso:

La cancela puede accionarse aun si los dispositivos de seguridad no funcionan correctamente o están fuera de servicio.

01. Accionar el mando de la cancela con el transmisor. Si los dispositivos de seguridad lo permiten, la cancela se abrirá normalmente; de lo contrario, en un plazo máximo de 3 segundos habrá que volver a accionar y mantener accionado el mando.

02. Transcurridos alrededor de 2 segundos, empezará el movimiento de la cancela en modo “hombre presente”; es decir, mientras se mantenga presionado el mando, la cancela seguirá moviéndose; ni bien se suelte el mando, la cancela se detendrá.

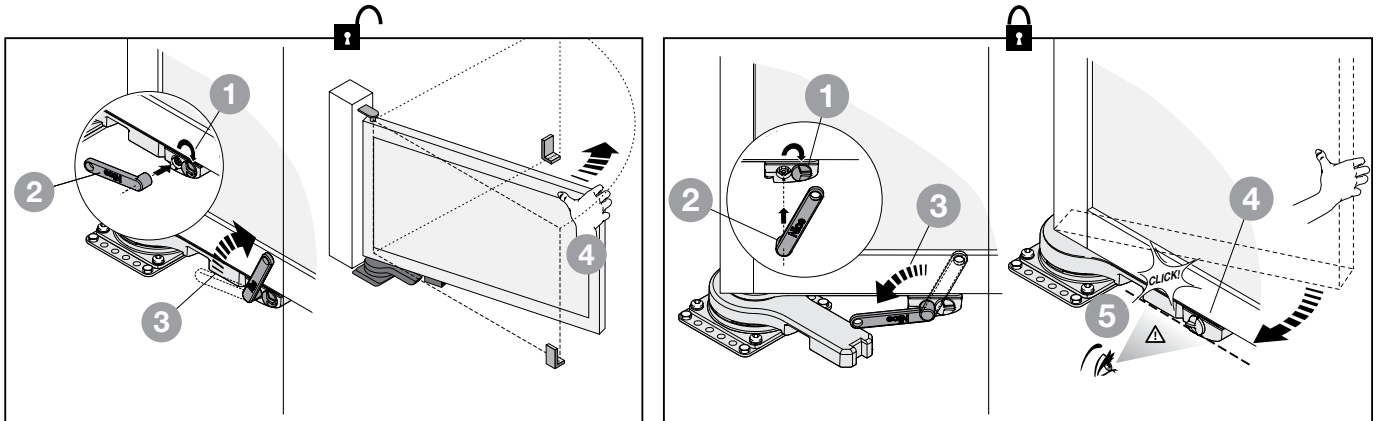
Con los dispositivos de seguridad fuera de uso, es necesario hacer reparar lo antes posible la automatización.

11.2 – Desbloquear y bloquear manualmente el motorreductor

El motorreductor OLTRE1824 cuenta con un sistema mecánico que permite abrir y cerrar la cancela manualmente.

La operación manual debe realizarse cuando no haya corriente eléctrica o cuando haya alguna anomalía en la instalación.

En caso de fallo en el motorreductor, se podrá intentar utilizar el sistema de desbloqueo del motor para verificar que el daño no esté en dicho mecanismo.



11.3 – Operaciones de mantenimiento permitidas al usuario

A continuación se enumeran las operaciones que el usuario debe realizar periódicamente:

- Limpieza superficial de los dispositivos: utilizar un paño ligeramente humedecido (no mojado). No utilizar sustancias que contengan alcohol, benceno, disolventes u otras sustancias inflamables; el uso de dichas sustancias puede provocar daños en el dispositivo y dar lugar a incendios o descargas eléctricas.
- Eliminación de hojas y piedras: cortar la alimentación a la automatización antes de proceder, para impedir que alguien pueda accionar la cancela. Si hay una batería de reserva, desconectarla.



1 ALLGEMEINE SICHERHEITSHINWEISE UND VORSICHTSMASSNAHMEN

ALLGEMEINE HINWEISE

- **ACHTUNG! - Sicherheitsrelevante Anweisungen. Alle Anweisungen strikt einhalten. Unkorrekte Installationen können schwerwiegende Schäden verursachen**
- **ACHTUNG! - Sicherheitsrelevante Anweisungen. Damit die Sicherheit von Personen gewährleistet ist, die folgenden Anweisungen einhalten. Die vorliegende Anleitung gut aufbewahren**
- Bevor Sie mit der Installation beginnen, sollten Sie unbedingt die „Technischen Eigenschaften des Produkts“ in dieser Anleitung prüfen, insbesondere ob das vorliegende Produkt zur Automatisierung Ihres gesteuerten Tors oder Rollladens geeignet ist. Das Gerät NICHT installieren, wenn es nicht dafür geeignet ist
- Das Gerät darf erst verwendet werden, nachdem es wie im Abschnitt „Abnahme und Inbetriebnahme“ beschrieben in Betrieb genommen wurde
- **ACHTUNG! - Gemäß der neuesten europäischen Gesetzgebung muss die Realisierung einer Automatisierung unter Beachtung der von der geltenden Maschinenrichtlinie vorgesehenen harmonisierten Normen erfolgen, die es erlauben, eine Erklärung über die angenommene Konformität der Automatisierung auszustellen. Unter Beachtung dessen dürfen alle Arbeiten zum Anschluss an das Stromnetz, zur Abnahme, Inbetriebsetzung und Wartung der Vorrichtung nur von einem qualifizierten und kompetenten Fachmann ausgeführt werden**
- Vor der Installation des Geräts ist sicherzustellen, dass das gesamte Material in technischem einwandfreiem Zustand und für den Einsatzzweck geeignet ist
- **ACHTUNG! - Um alle Gefahren im Zusammenhang mit einer unvorhergesehenen Rücksetzung der Temperatursicherung zu verhindern, darf dieses Gerät nicht über eine externe Schaltvorrichtung (z. B. eine Zeitschaltuhr) versorgt oder an einen Stromkreis angeschlossen werden, der regelmäßig ein- oder ausgeschaltet wird**
- Die Stromversorgung der Anlage muss über eine Trennvorrichtung (nicht im Lieferumfang enthalten) ausgeführt sein, deren Öffnungsabstand der Kontakte eine vollständige Unterbrechung gemäß Überspannungskategorie III garantiert
- Das Produkt bei der Installation vorsichtig handhaben und Quetschungen, Stöße, Herunterfallen sowie den Kontakt mit Flüssigkeiten jeder Art vermeiden. Das Produkt nicht in der Nähe von Wärmequellen positionieren und es keinen offenen Flammen aussetzen. All diese Handlungen können das Produkt beschädigen oder Ursache für Störungen oder Gefahrensituationen sein. In diesen Fällen die Installation unverzüglich abbrechen und den Kundendienst einschalten
- Der Hersteller haftet nicht für Vermögens-, Personen- oder Sachschäden, die durch Nichtbeachtung der Montageanweisungen entstehen. In diesen Fällen ist die Garantie für Materialfehler ausgeschlossen
- Der A-bewertete Schalldruckpegel ist geringer als 70 dB(A)
- Kinder dürfen Reinigungs- und Wartungsarbeiten, die dem Benutzer obliegen, nur dann ausüben, wenn sie von einer erwachsenen Person beaufsichtigt werden
- Das Produkt vor jeder Arbeit an der Anlage (Wartung, Reinigung) immer von der Stromversorgung abtrennen
- Prüfen Sie die Anlage regelmäßig auf eventuelle Ungleichgewichte, Abnutzungserscheinungen und Schäden insbesondere von Kabeln, Federn und Halterungen. Verwenden Sie das Gerät nicht, wenn eine Reparatur oder Einstellung erforderlich ist, da eine unkorrekte Installation oder ein nicht ordnungsgemäßer Gewichtsausgleich der Automatisierung
- Das Verpackungsmaterial des Produkts muss entsprechend den einschlägigen Umweltschutzvorschriften entsorgt werden
- Halten Sie alle anwesenden Personen von der Automatisierung fern, wenn diese über die Steuerelemente bewegt wird
- Während der Ausführung der Bewegung die Automatisierung kontrollieren und Personen solange fernhalten, bis die Bewegung abgeschlossen ist
- Betätigen Sie das Produkt nicht, wenn in der Nähe Personen an der Automatisierung arbeiten; trennen Sie die Vorrichtung vom Stromnetz, bevor solche Arbeiten ausgeführt werden

INSTALLATIONSHINWEISE

- Vor dem Einbau des Antriebsmotors sicherstellen, dass alle mechanischen Komponenten in einem technisch einwandfreien Zustand sind, sich korrekt im Gleichgewicht befinden und die Automatisierung vorschriftsgemäß be-

dient werden kann

- Falls das zu automatisierende Tor mit einem Fußgängerzugang ausgestattet ist, wird es notwendig, an der Anlage ein Kontrollsystem zu installieren, das die Motorfunktion blockiert, wenn der Eingang für Fußgänger offen steht
- Sicherstellen, dass die Antriebskomponenten einen ausreichenden Abstand zu den Bewegungsteilen haben und nicht die Sicht versperren. Falls kein Wahlschalter verwendet wird, müssen die Antriebskomponenten in einer Höhe von mindestens 1,5 m montiert werden und dürfen nicht zugänglich sein
- Vergewissern Sie sich, falls die Öffnungsbewegung von einem Brandschutzsystem kontrolliert wird, dass etwaige Fenster mit einer Öffnung über 200 mm zuvor mithilfe einer Steuerung geschlossen werden
- Jede Form des Einklemmens zwischen sich bewegenden und festen Teilen ist bei den Bewegungen vorherzusehen und zu vermeiden
- Bringen Sie das Etikett für die Bedienung von Hand dauerhaft in der Nähe des Elements an, das die Bewegung selbst erlaubt
- Nach dem Einbau des Antriebsmotors sicherstellen, dass der gesamte Mechanismus, das Schutzsystem und die manuellen Bedienvorgänge ordnungsgemäß funktionieren

2 BESCHREIBUNG DES PRODUKTS UND BESTIMMUNGSGEMÄSSER GEBRAUCH

Dieses Produkt ist bestimmt für die Automatisierung von Toren mit Drehflügeln, die ausschließlich im Bereich von Wohngebieten zu finden sind.

ACHTUNG! – Jeglicher Gebrauch, der von den vorliegenden Beschreibungen abweicht oder unter anderen als den in dieser Anleitung angegebenen Umweltbedingungen stattfindet, hat als unsachgemäß und verboten zu gelten!

Das Produkt ist ein elektromechanischer Toröffner, der in den Hohlraum des Torflügels eingebaut wird; der an der Unterseite des Flügels herausragende Teil ist am Boden zu befestigen. Er ist mit einem Motor für 24 V Gleichstrom ausgerüstet, der über eine externe Steuerungseinheit versorgt wird, an die er angeschlossen werden muss. Im Fall eines Stromausfalls (Black-out) können die Flügel des Tors manuell bewegt werden, nachdem der Getriebemotor mit dem entsprechenden Schlüssel vom Flügel gelöst wurde. Zum Lösen des Flügels und zur manuellen Bedienung siehe **Abschnitt 3.6**.

3 INSTALLATION

3.1 - Der Installation vorausgehende Kontrollen

Vor Beginn der Installation ist zu überprüfen, ob alle Bauteile des Produkts unbeschädigt sind, ob das gewählte Modell und der für die Installation bestimmte Ort geeignet sind.

WICHTIG – Das Produkt darf nur zum Antrieb von Toren eingesetzt werden, die einen funktionsfähigen und sicheren mechanischen Aufbau haben. Außerdem kann er Mängel infolge einer falschen Installation oder mangelhaften Wartung des Tores selbst nicht beseitigen.

3.2 - Eignung des zu automatisierenden Tors und der Umgebung

- Überprüfen, ob der mechanische Unterbau des Tors für einen Antrieb geeignet ist und den vor Ort geltenden Bestimmungen genügt (ggf. die auf dem Typenschild des Tores angegebenen Daten kontrollieren).
- Torflügel von Hand bewegen und in maximal geöffnete und geschlossene Position bringen; bei der Bewegung prüfen, ob die Reibung dabei minimal und die Kraft über den gesamten Weg konstant ist: Es darf keine Stellen geben, an denen die Reibung stärker ist als an anderen.
- Torflügel von Hand bewegen und an verschiedenen Stellen seines Weges still stehen lassen, dabei sicherstellen, dass er im Gleichgewicht bleibt, d. h. dass er sich nicht bewegt.
- Überprüfen, ob um den Torantrieb herum genug Platz ist, damit die Torflügel einfach und sicher manuell entriegelt werden können.
- Für das Öffnen und Schließen des Tores sind am Boden feste Endanschläge vorzusehen.
- Überprüfen, ob im Befestigungsbereich des Torantriebs für diesen ausreichend Platz ist (**Abb. 1**).

3.3 - Einsatzgrenzen des Produkts

- Der Flügel, an dem der Antrieb installiert werden soll, darf nicht mehr als 100 kg wiegen und nicht länger als 1,80 m sein.
- Der Antrieb darf ausschließlich an die Steuereinheit **MC824L** angeschlossen werden.
- Da der Antrieb im Innern des Torflügels installiert werden muss, muss der Pfosten des Flügels (in dem sich der Drehpunkt befindet) aus einem Hohlprofil mit einem Einbauraum mit mindestens Ø 56 mm bestehen.
- An den für das Öffnen und das Schließen festgelegten Endpunkten der Be-

wegung müssen feste Endanschlüsse installiert werden (diese Zubehörteile sind nicht im Lieferumfang enthalten).

3.4 - Arbeiten zur Vorbereitung der Installation

Abb. 2 ist ein Beispiel für eine fertige Installation, die mit Nice-Komponenten realisiert wurde. Diese Einzelteile wurden nach einem typischen und gebräuchlichen Schema positioniert. Bei der Bestimmung der ungefähren Position, an der jedes der vorgesehenen Bauteile installiert werden soll, und zur Festlegung der elektrischen Verbindungen zwischen den Bauteilen bitte **Abb. 2** beachten.

Bauteile zur Realisierung einer vollständigen Anlage (Abb. 2):

- A** - Elektromechanische Torantriebe (Getriebemotoren)
- B** - Steuerung
- C** - Photozellen-Paar
- D** - Säulen für Photozellen-Paar (C)
- E** - Blinkleuchte mit eingebauter Antenne
- F** - Digitale Tastatur / Schlüsselschalter
- G** - Paar mechanischer Anschläge beim Öffnen und Schließen

3.5 - Installation

Zur Installation des Toröffners sind alle in den Abbildungen dargestellten Arbeitsschritte auszuführen, **von Abb. 1 bis Abb. 18**. Die angegebene Reihenfolge ist gewissenhaft einzuhalten.

3.6 - Manuelle Ent- und Verriegelung des Toröffners

Zum Ent- bzw. Verriegeln des Toröffners ist der mitgelieferte Hebel wie folgt zu benutzen:

• Zum Entriegeln eines Flügels (siehe Abb. 19):

- 01.** Seite des Flügels wählen, an der eingegriffen werden soll.
- 02.** Deckel des Schlosses um 180° drehen (probieren, in welche Richtung er gedreht werden muss).
- 03.** Hebel in das Schloss einsetzen und um 180° im Uhrzeigersinn drehen.
- 04.** Hebel aus dem Schloss entfernen und dieses mit dem zugehörigen Deckel abdecken.
- 05.** Zum Schluss den Flügel von Hand in die gewünschte Position bringen.

• Zum Verriegeln eines Flügels (siehe Abb. 20):

- 01.** Seite des Flügels wählen, an der eingegriffen werden soll.
- 02.** Deckel des Schlosses um 180° drehen (probieren, in welche Richtung er gedreht werden muss).
- 03.** Hebel in das Schloss einsetzen und um 180° gegen den Uhrzeigersinn drehen.
- 04.** Hebel aus dem Schloss entfernen und dieses mit dem zugehörigen Deckel abdecken.
- 05.** Flügel von Hand bewegen und mit dem Schloss überein bringen; erst dann loslassen, wenn das Schloss hörbar eingerastet ist (= Flügel am Toröffner fixiert).

5 PRÜFUNG UND INBETRIEBNAHME

Dies die wichtigsten Schritte bei der Realisierung der Automation, um höchste Sicherheit zu gewährleisten.

Die Abnahme kann auch als regelmäßige Überprüfung der Bestandteile der Automation verwendet werden.

⚠ ACHTUNG! – Die Abnahme und Inbetriebsetzung der Automation muss von erfahrener Fachpersonal ausgeführt werden, das die je nach vorhandenem Risiko vorzusehenden Tests festzulegen und die Einhaltung der Gesetze, Vorschriften und Verordnungen zu überprüfen hat. Dies gilt insbesondere in Bezug auf die Anforderungen der Normen EN 13241-1, EN 12445 und EN 12453, welche die Testmethoden zur Überprüfung von Torantrieben festlegen.

5.1 - Prüfung

Jedes einzelne Bauteil des Torantriebs, zum Beispiel Kontaktleisten, Photozellen, Not-Aus usw. ist einer separaten Prüfung zu unterziehen; für diese Vorrichtungen sind die in den jeweiligen Bedienungsanleitungen angegebenen Verfahren durchzuführen. Zur Abnahmeprüfung des Toröffners ist wie folgt vorzugehen:

- 1** Sicherstellen, dass hinsichtlich der Sicherheit die in Kapitel 1 - Allgemeine Sicherheitshinweise und Vorsichtsmaßnahmen - genannten Bestimmungen strikt eingehalten wurden.
- 2** Tor in geschlossene Stellung bringen.
- 3** **Alle Stromversorgungsquellen an der Steuerung abtrennen.**
- 4** Toröffner mit dem Entriegelungsschlüssel entriegeln (siehe **Abschnitt 3.6**).
- 5** Torflügel von Hand bewegen und in maximal geöffnete Position bringen; bei der Bewegung prüfen, ob die Reibung dabei minimal und die Kraft über den gesamten Weg konstant ist: **Es darf keine Stellen geben, an denen die Reibung stärker ist als an anderen.**
- 6** Torflügel von Hand bewegen und an verschiedenen Stellen seines Weges still stehen lassen, dabei sicherstellen, dass er im Gleichgewicht bleibt, d. h. dass er sich nicht bewegt.
- 7** Sicherstellen, dass die Sicherheitssysteme und die mechanischen Anschläge in gutem Zustand sind.
- 8** Sicherstellen, dass die für die elektrischen Verbindungen benutzten Schraubklemmen gut festgezogen sind.
- 9** Toröffner mit dem Entriegelungsschlüssel verriegeln (siehe **Abschnitt 3.6**).
- 10** Stromversorgung der Steuerung einschalten.
- 11** Schließkraftmessung gemäß EN 12445 durchführen. Wird die Kontrolle der "Motorkraft" von der Steuerung als Hilfe im System zur Reduzierung der Schließkraft verwendet, versuchen, die Funktionen einzustellen, die bessere Parameter bieten.
- 12** In der Nähe des Torantriebs das Schild, auf dem das manuelle Ent- und Verriegeln des Toröffners erklärt ist, fest anbringen.

5.2 - Inbetriebnahme

Die Inbetriebnahme darf erst erfolgen, nachdem alle Prüfphasen des Toröffners und der anderen vorhandenen Vorrichtungen mit positivem Ergebnis durchgeführt wurden. Bei der Inbetriebnahme ist die Bedienungsanleitung der Steuerung zu beachten.

WICHTIG – Eine teilweise Inbetriebnahme oder eine Inbetriebnahme unter "provisorischen" Bedingungen ist verboten.

6 WARTUNG DES PRODUKTS

Die Wartung muss unter genauester Einhaltung der in dieser Anleitung genannten Sicherheitsvorschriften sowie der einschlägigen Gesetze und Vorschriften durchgeführt werden.

Die einzelnen Antriebskomponenten bedürfen keiner besonderen Wartung; in regelmäßigen Abständen, zumindest alle sechs Monate, muss jedoch die Funktionstüchtigkeit aller Komponenten überprüft werden.

Zu diesem Zweck sind sämtliche im Abschnitt „5.1 Abnahmeprüfung“ beschriebenen Tests und Überprüfungen sowie die im Abschnitt „Vom Benutzer ausführbare Wartungsarbeiten“ vorgesehenen Maßnahmen durchzuführen. Sind weitere Vorrichtungen vorhanden, müssen die Angaben im entsprechenden Wartungsplan befolgt werden.

Falls der Motor ausgetauscht wird, kann der Ersatzstift verwendet und das Tor per Hand bewegt werden: Zum Einsetzen des Stiftes siehe **Abb. 21**.

4 ELEKTRISCHE VERBINDUNGEN

Warnhinweise:

- Der Antrieb darf ausschließlich an die Steuereinheit **MC824L** angeschlossen werden.
- Der Toröffner wird mit einem 3 m langen Stromversorgungskabel geliefert. Sollte die Entfernung für die Verbindung mit der Steuereinheit MC824L größer sein, **muss eine (nicht mitgelieferte) Abzweigdose verwendet werden, um Elektrokabel-Verlängerungen ausreichend zu schützen.**
- **Elektrische Verbindungen bei abgetrennter Stromversorgung vornehmen.**

Zum Anschluss des Stromversorgungskabels an die Steuerung siehe deren Anleitung und folgende Anweisungen:

DRAHT	VERBINDUNG
Blauer Draht	Motor-Stromversorgung 24 V
Brauner Draht	Motor-Stromversorgung 24 V

ENTSORGUNG DES PRODUKTS

Dieses Produkt ist fester Bestandteil der Automatik und ist daher zusammen mit dieser zu entsorgen.

Wie die Installationsarbeiten ist, am Ende der Lebensdauer dieses Produkts, auch die Demontage durch Fachpersonal auszuführen.

Dieses Produkt besteht aus verschiedenen Materialarten: Einige können recycelt werden, andere sind zu entsorgen. Informieren Sie sich über die Recycling- bzw. Entsorgungssysteme, die für diese Produktkategorie von den in Ihrem Land geltenden Bestimmungen vorgesehen sind.

Achtung! – Einige Teile des Produkts können umweltbelastende oder schädliche Stoffe enthalten, die nicht in die Umwelt gelangen dürfen, da sie schädliche Auswirkungen auf die Umwelt selbst und auf die menschliche Gesundheit haben können.

Wie durch das nebenstehende Symbol angegeben, ist es verboten, dieses Produkt über den Hausmüll zu entsorgen. Es ist daher gemäß den Verfahren, die von den in Ihrem Land geltenden Bestimmungen vorgesehen sind, getrennt zu entsorgen bzw. beim Kauf eines neuen, gleichwertigen Produkts beim Händler abzugeben.



Achtung! – Die örtlich geltenden Bestimmungen können für die missbräuchliche Entsorgung dieses Produktes schwere Strafen vorsehen.

TECHNISCHE DATEN DES PRODUKTS

HINWEISE • Alle angegebenen technischen Daten beziehen sich auf eine Umgebungstemperatur von 20°C (± 5°C). • Nice S.p.A. behält sich das Recht vor, jederzeit am Produkt Änderungen vorzunehmen, wenn dies für erforderlich gehalten wird, dabei aber dessen Funktionen und bestimmungsgemäßer Gebrauch gleich bleiben.

- **Geräteart:** Elektromagnetischer Getriebemotor-Antrieb für Tore mit Torflügeln
- **Stromversorgung:** 24 V ===
- **Nennstromverbrauch:** 1 A
- **Höchststromaufnahme:** 2.9 A
- **Nennleistung:** 25 W
- **Höchstleistung:** 70 W
- **Schutzklasse:** IP 67
- **Weg:** 0°...120° (±10°)
- **Nenndrehzahl:** 1.5 U/min
- **Nenndrehmoment:** 60 Nm
- **Maximales Drehmoment:** 150 Nm
- **Betriebstemperatur:** -20°C...+50°C
- **Zyklen pro Std. bei Nenndrehmoment:** 60
- **Abmessungen (mm):** 305 x 145 x 346
- **Gewicht (kg):** 5.5

CE-Konformitätserklärung und Einbauerklärung für den Einbau Einer „unvollständigen Maschine“

Erklärung in Übereinstimmung mit den Richtlinien: 2014/30/UE (EMV); 2006/42/EG (MD) Anlage II, Teil B.

Anmerkung - Der Inhalt dieser Erklärung entspricht den Angaben im offiziellen Dokument, das im Sitz der Nice S.p.A. hinterlegt ist und der letzten verfügbaren Revision vor dem Druck dieser Anleitung. Dieser Text wurde aus redaktionellen Gründen angepasst. Die Kopie der Original-Erklärung kann bei der Firma Nice S.p.A. (TV) Italy. angefordert werden.

Nummer der Erklärung: **589/OLTRE**

Revision: **0**

Sprache: **DE**

Name des Herstellers: NICE S.p.A.

Adresse: Via Pezza Alta N°13, 31046 Rustignè di Oderzo (TV) Italy.

Bevollmächtigte Person zum Zusammenstellen der technischen Unterlagen: NICE S.p.A. – Via Pezza Alta N°13, 31046 Rustignè di Oderzo (TV) Italy

Art des Produkts: Elektromechanischer Toröffner 24Vd.c., für Drehtore.

Modell / Typ: OLTRE1824

Zubehör:

Der Unterzeichnende Roberto Griffa, in seiner Funktion als Chief Executive Officer, erklärt auf eigene Verantwortung, dass die oben genannten Produkte den Bestimmungen entsprechen, die in folgenden Richtlinien enthalten sind:

- RICHTLINIE 2014/30/UE DES EUROPÄISCHEN PARLAMENTS UND DES RATES vom 26. Februar 2014 zur Angleichung der Rechtsvorschriften der Mitgliedsstaaten über die elektromagnetische Verträglichkeit (Überarbeitung), gemäß den folgenden harmonisierten Normen: EN 61000-6-2:2005; EN 61000-6-3:2007 + A1:2011.

Außerdem entspricht das Produkt folgender Richtlinie, entsprechend der vorgesehenen Anforderungen für die „unvollständigen Maschinen“:

- Richtlinie 2006/42/EG DES EUROPÄISCHEN PARLAMENTS UND DES RATES vom 17. Mai 2006 über Maschinen, welche die Richtlinie 95/16/EG ändert (Überarbeitung).
- Hiermit wird erklärt, dass die entsprechenden technischen Unterlagen in Übereinstimmung mit Anlage VII B der Richtlinie 2006/42/EG zusammengestellt und die folgenden wesentlichen Anforderungen eingehalten wurden: 1.1.1 - 1.1.2 - 1.1.3 - 1.2.1 -1.2.6 - 1.5.1 -1.5.2 - 1.5.5 - 1.5.6 - 1.5.7 - 1.5.8 - 1.5.10 - 1.5.11.
- Der Hersteller verpflichtet sich, die Informationen über die „unvollständige Maschine“ auf Verlangen an die nationalen Behörden weiterzuleiten, wobei die eignen Rechte des geistigen Eigentums beibehalten werden.
- Wenn die „unvollständige Maschine“ in einem europäischen Land in Betrieb genommen wird, deren offizielle Sprache nicht der in dieser Erklärung entspricht, ist der Importeur verpflichtet, dieser Erklärung die entsprechende Übersetzung beizulegen.
- Wir weisen darauf hin, dass die „unvollständige Maschine“ erst dann in Betrieb genommen werden darf, wenn gegebenenfalls festgestellt wurde, dass die Maschine, in die die unvollständige Maschine eingebaut werden soll, den Bestimmungen der Richtlinie 2006/42/EG entspricht.

Außerdem entspricht das Produkt folgenden Normen:

EN 60335-1:2002 + A1:2004 + A11:2004 + A12:2006 + A2:2006 + A13:2008 + A14:2010 + A15:2011; EN 60335-2-103:2003 + A11:2009.

Das Produkt entspricht, auf die anwendbaren Teile begrenzt, folgenden Normen: EN 13241-1:2003 + A1:2011; EN 12445:2000; EN 12453:2000; EN 12978:2003 + A1:2009.

Oderzo, 21. April 2016

Ing. **Roberto Griffa**
(Chief Executive Officer)

⚠ Diese Gebrauchsanleitung sollte gut aufbewahrt und allen Benutzern des Antriebs ausgehändigt werden.

11.1 – HINWEISE

- Die Torbewegung überwachen und in einem sicheren Abstand bleiben, bis das Tor vollständig geöffnet oder geschlossen ist; die Durchfahrt ist erst gestattet, wenn das Tor vollständig geöffnet ist und sich nicht mehr bewegt.
- Kinder dürfen nicht in der Nähe der Automation oder mit den Bedienelementen spielen.
- Die Sender von Kindern fernhalten.
- Den Gebrauch der Automation bei einem anomalen Betrieb (Geräusche oder stoßartige Bewegungen) unverzüglich einstellen; die Missachtung dieses Hinweises kann zu großen Gefahren und Unfallrisiken führen.
- Es dürfen keine Teile während der Bewegung berührt werden.
- Die regelmäßigen Kontrollen nach Vorgaben des Wartungsplans ausführen lassen.
- Wartungs- oder Reparaturarbeiten dürfen ausschließlich durch technisches Fachpersonal ausgeführt werden.
- Senden eines Steuerbefehls mit den Sicherheitsvorrichtungen außer Betrieb:

Wenn die Sicherheitsvorrichtungen nicht korrekt funktionieren oder außer Betrieb sein sollten, kann das Tor dennoch gesteuert werden.

01. Mit dem Sender einen Befehl zur Bewegung des Tors erteilen. Wenn die Sicherheitsvorrichtungen die Zustimmung erteilen, wird sich das Tor normal öffnen; andernfalls muss die Schaltvorrichtung innerhalb von 3 Sekunden erneut betätigt werden und betätigt bleiben.

02. Nach ca. 2 Sekunden wird die Torbewegung im Modus „Totmann“ erfolgen. Das bedeutet, dass sich das Tor bewegen wird, solange Sie die Schaltvorrichtung betätigen; sobald Sie diese loslassen, hält das Tor an.

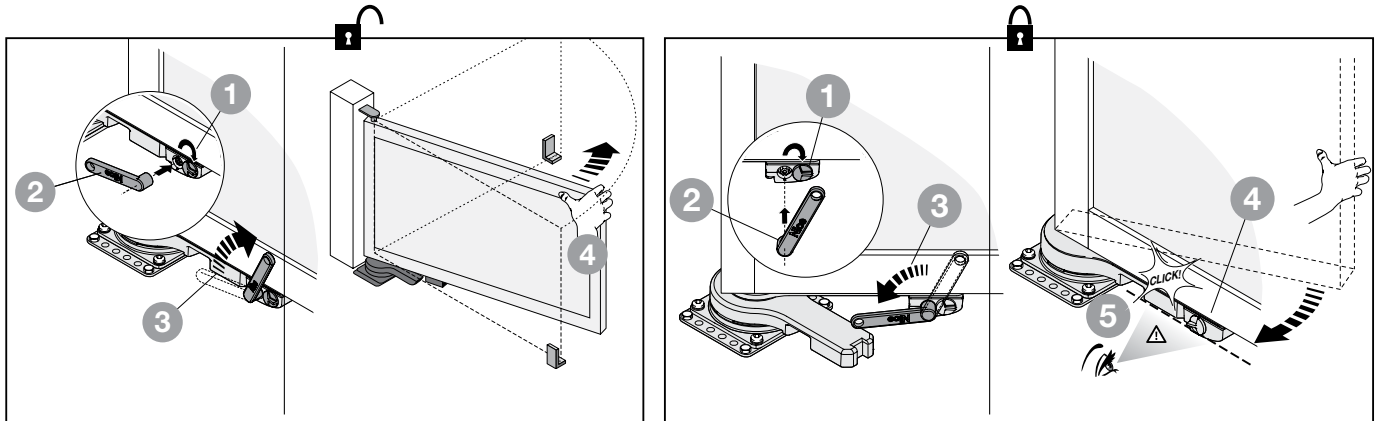
Wenn die Sicherheitsvorrichtungen außer Betrieb sind, muss die Automation so schnell wie möglich repariert werden.

11.2 – Manuelle Entriegelung und Sperrung des Antriebs

Der Antrieb OLTRE1824 ist mit einem mechanischen System ausgestattet, das die manuelle Öffnung und Schließung des Tors ermöglicht.

Das manuelle Verfahren muss bei Stromausfall oder Betriebsstörungen der Anlage ausgeführt werden.

Bei einem Defekt des Antriebs kann versucht werden, die Motorentriegelung zu verwenden, um zu prüfen, ob der Defekt durch den Entriegelungsmechanismus verursacht ist.



11.3 – Vom Benutzer ausführbare Wartungsarbeiten

Folgende Wartungsarbeiten sind vom Benutzer regelmäßig auszuführen:

- **Reinigung der Oberflächen der Vorrichtungen:** ein leicht feuchtes Tuch (nicht nass) verwenden. Verwenden Sie keine Substanzen, die Alkohol, Benzol, Verdünnungsmittel oder sonstige entzündbare Stoffe enthalten; diese Substanzen könnten die Vorrichtungen beschädigen und Brand oder Stromschläge verursachen.
- **Beseitigung von Blättern und Steinen:** vor Arbeitsbeginn den Antrieb von der Stromversorgung trennen, damit niemand das Tor betätigen kann. Falls eine Pufferbatterie vorhanden ist, muss auch diese abgeklemmt werden.



1 OGÓLNE UWAGI I ŚRODKI OSTROŻNOŚCI DOTYCZĄCE BEZPIECZEŃSTWA

OGÓLNE OSTRZEŻENI

UWAGA - Ważne instrukcje bezpieczeństwa. Należy przestrzegać wszystkich instrukcji, ponieważ nieprawidłowy montaż może być przyczyną poważnych szkód

UWAGA - Ważne instrukcje bezpieczeństwa. W celu zapewnienia bezpieczeństwa osób, postępować zgodnie z niniejszą instrukcją. Należy starannie przechowywać niniejszą instrukcję

- Przed rozpoczęciem montażu należy sprawdzić informacje na temat „Parametrów technicznych produktu”, a w szczególności, czy urządzenie jest przystosowane do napędzania posiadanego przez Państwa urządzenia. Jeżeli produkt nie jest odpowiedni, NIE należy wykonywać montażu
- Nie używać urządzenia, jeśli nie przeprowadzono procedury oddania do eksploatacji, opisanej w rozdziale „Odbiór i przekazanie do eksploatacji”

UWAGA - Według najnowszych, obowiązujących przepisów europejskich, wykonanie automatyki musi być zgodne z obowiązującą Dyrektywą Maszynową umożliwiającą zadeklarowanie zgodności automatyki. W związku z tym, wszystkie czynności polegające na podłączeniu do sieci elektrycznej, wykonywaniu prób odbiorczych, przekazywaniu do eksploatacji i konserwacji urządzenia muszą być wykonywane wyłącznie przez wykwalifikowanego i kompetentnego technika!

- Przed przystąpieniem do montażu produktu należy sprawdzić, czy wszystkie elementy i materiały przeznaczone do użycia prezentują idealny stan i są odpowiednie do użycia
- Produkt nie jest przeznaczony do obsługi przez osoby (w tym dzieci) o ograniczonych zdolnościach fizycznych, zmysłowych bądź umysłowych lub przez osoby nieposiadające odpowiedniego doświadczenia i wiedzy
- Nie zezwalać dzieciom na zabawę urządzeniem
- Nie zezwalać dzieciom na zabawę urządzeniami sterującymi produktem. Przechowywać piloty w miejscu niedostępnym dla dzieci

UWAGA - W celu uniknięcia jakiegokolwiek zagrożenia na skutek przypadkowego uzbrojenia termicznego urządzenia odłączającego, nie należy zasilać tego urządzenia przy użyciu zewnętrznego urządzenia, jak zegar lub podłączać go do obwodu charakteryzującego się regularnym podłączaniem lub odłączaniem zasilania

- W sieci zasilającej instalacji należy przygotować urządzenie odłączające (nieznajdujące się na wyposażeniu), którego odległość pomiędzy stykami podczas otwarcia zapewnia całkowite odłączenie w warunkach określonych przez III kategorię przepięciową
- Podczas montażu, należy delikatnie obchodzić się z urządzeniem, chroniąc je przed zgnieceniem, uderzeniem, upadkiem lub kontaktem z jakiegokolwiek rodzaju płynami. Nie umieszczać urządzenia w pobliżu źródeł ciepła i nie wystawiać go na działanie otwartego ognia. Opisane powyżej sytuacje mogą doprowadzić do uszkodzenia urządzenia, być przyczyną nieprawidłowego działania lub zagrożeń. Jeżeli doszłoby do którejś z opisanych sytuacji, należy natychmiast przerwać montaż i zwrócić się o pomoc do Serwisu Technicznego
- Producent nie ponosi odpowiedzialności za szkody materialne lub osobowe powstałe w wyniku nieprzestrzegania instrukcji montażu. W takich przypadkach, nie ma zastosowania rękojmia za wady materialne
- Poziom ciśnienia akustycznego emisji skorygowanej charakterystyką A jest niższy od 70 dB(A)
- Czyszczenie i konserwacja, za którą jest odpowiedzialny użytkownik, nie powinny być wykonywane przez dzieci pozbawione opieki
- Przed wykonaniem działań na instalacji (konserwacja, czyszczenie), należy zawsze odłączyć produkt od sieci zasilającej
- Należy wykonywać okresowe przeglądy instalacji, a w szczególności przewodów, sprężyn i wsporników, celem wykrycia ewentualnego braku wyważenia lub oznak zużycia, czy uszkodzeń. Nie używać w razie konieczności naprawy lub regulacji, ponieważ obecność usterek lub nieprawidłowe wyważenie mogą prowadzić do poważnych obrażeń
- Materiał opakowaniowy podlega utylizacji zgodnie z miejscowymi przepisami
- Osoby trzecie nie powinny się znajdować w pobliżu automatyki podczas jej przesuwania przy użyciu elementów sterowniczych
- Podczas wykonywania manewru, należy nadzorować automatykę i zadbać o to, aby inne osoby nie zbliżyły się do urządzenia, aż do czasu zakończenia czynności
- Nie sterować automatyką, jeżeli w jej pobliżu znajdują się osoby wykonujące czynności; przed wykonaniem tych czynności należy odłączyć zasilanie elektryczne

OSTRZEŻENIA NA TEMAT MONTAŻU

- Przed zamontowaniem silnika, należy sprawdzić stan wszystkich części mechanicznych, odpowiednio wyważenie i upewnić się, czy urządzenie może być prawidłowo manewrowane
- Jeżeli brama przeznaczona do zautomatyzowania posiada również drzwi dla pieszych, należy przygotować instalację z systemem kontrolnym, który uniemożliwi działanie silnika, gdy drzwi dla pieszych będą otwarte
- Upewnić się, że elementy sterownicze znajdują się z dala od części w ruchu, umożliwiając w każdym razie ich bezpośrednią widoczność. W razie niestosowania przełącznika, elementy sterownicze należy montować w miejscu niedostępnym i na minimalnej wysokości 1,5 m
- Jeśli ruch otwierania jest sterowany przez system przeciwpożarowy, należy się upewnić, że ewentualnie okna znajdujące się powyżej 200 mm zostaną zamknięte przez elementy sterownicze
- Zapobiegać i unikać jakiegokolwiek uwięzienia między częściami stałymi i częściami w ruchu podczas wykonywania manewrów
- Umieścić na stałe tabliczkę na temat ręcznego manewru w pobliżu elementu umożliwiającego wykonanie manewru
- Po zamontowaniu silnika należy się upewnić, że mechanizm, system ochrony i każdy manewr ręczny funkcjonują prawidłowo

2 OPIS PRODUKTU I JEGO PRZEZNACZENIE

Niniejszy produkt jest przeznaczony do automatyzacji bram skrzydłowych, do użytku wyłączając prywatnego.

UWAGA! – Jakiegokolwiek użycie inne od opisanego i w warunkach środowiska innych od podanych w niniejszej instrukcji uznać należy za niewłaściwe i zakazane!

Produkt jest urządzeniem elektromechanicznym, który zostaje wprowadzony do otworu wewnątrz skrzydła bramy; część, która wystaje z dolnej części skrzydła musi zostać przymocowana do podłoża. Jest on wyposażony w silnik prądu stałego 24 V, zasilany przez zewnętrzną centralę sterującą, do której musi zostać podłączony. W przypadku przerwania zasilania elektrycznego (black-out), możliwe jest ręczne poruszanie skrzydłami bramy, po uprzednim uwolnieniu motoreduktora od skrzydła przy użyciu specjalnego klucza. Informacje na temat [odblokowania skrzydła i manewru ręcznego](#) zawarto w [rozdziale 3.6](#).

3 MONTAŻ

3.1 - Kontrole wstępne przed montażem

Przed przejściem do montażu, należy sprawdzić integralność komponentów produktu, odpowiedniość wybranego modelu i odpowiedniość otoczenia przeznaczonego do montażu.

WAŻNE – Motoreduktor nie może automatyzować bramy, której konstrukcja mechaniczna nie jest sprawna i bezpieczna. Ponadto, nie może naprawić uszkodzeń spowodowanych błędnym montażem lub nieprawidłową konserwacją samej bramki.

3.2 - Zgodność bramki do zautomatyzowania i pobliskiego otoczenia

- Sprawdzić, czy struktura mechaniczna bramki nadaje się do zautomatyzowania i jest zgodna z obowiązującymi na danym obszarze normami (ewentualnie odnieść się do danych na etykiecie bramki).
- Przesunąć skrzydło bramy ręcznie, przenosząc je w położenie maksymalnego otwarcia i zamknięcia; podczas przesuwu upewnić się, że odbywa się on z minimalnym tarcieciem i wymaga zastosowania stałej siły w każdym miejscu skoku: **nie powinno być miejsc, w których tarcie jest większe niż w pozostałych.**
- Przesunąć skrzydło ręcznie i zatrzymać je w różnych miejscach jego skoku; następnie upewnić się, że skrzydło pozostaje w równowadze, a więc że nie przesuwa się.
- Sprawdzić, czy przestrzeń wokół siłownika umożliwia ręczne odblokowanie skrzydeł bramki, w sposób łatwy i pewny.
- Przygotować ograniczniki biegu na podłożu zarówno do otwarcia jak i do zamknięcia bramki.
- Sprawdzić, czy strefa mocowania siłownika jest zgodna z jego gabarytami (**rys. 1**).

3.3 - Ograniczenia związane z użyciem produktu

- Skrzydło bramy, dla której chce się zainstalować urządzenie, nie może przekraczać 100 kg wagi i 1,80 m długości.
- Motoreduktor może zostać podłączony wyłącznie do centrali **MC824L**.
- Jako że musi zostać zainstalowany wewnątrz skrzydła bramy, słupek skrzydła (ten, w którym znajduje się środek obrotu) musi być wykonany z metalowego profilu wydrążonego w środku z przestrzenią na motoreduktor o \varnothing

równej lub większej od 56 mm.

- Należy obowiązkowo zainstalować ograniczniki mechaniczne w określonych miejscach końca posuwu przy otwieraniu i zamykaniu (akcesoria te nie są dostarczone na wyposażeniu).

3.4 - Prace przygotowawcze do montażu

Na rys. 2 przedstawiono przykład kompletnej instalacji wykonanej z użyciem komponentów Nice. Komponenty te zostały rozmieszczone według zwyczajowego schematu. Za pomocą rys. 2 można określić przybliżone położenie, w jakim należy zainstalować każdy z komponentów, oraz określić schemat połączeń elektrycznych między poszczególnymi komponentami.

Komponenty przydatne do wykonania kompletnej instalacji (rys. 2):

- A - Siłowniki elektromechaniczne
- B - Centrala
- C - Para fotokomórek
- D - Kolumny do pary fotokomórek (C)
- E - Sygnalizator migający z wbudowaną anteną
- F - Klawiatura cyfrowa / Przełącznik na klucz
- G - Para ograniczników mechanicznych podczas otwierania i zamykania

3.5 - Montaż

Aby zainstalować motoreduktor, należy przeprowadzić wszystkie kroki zilustrowane na rysunkach, rozpoczynając od rys. 1 i kończąc na rys. 18. Należy skrupulatnie przestrzegać podanej kolejności.

3.6 - Ręczne odblokowanie i zablokowanie siłownika

Aby odblokować lub zablokować motoreduktor, należy użyć dostarczonej dźwigni w następujący sposób:

• Aby odblokować skrzydło (zob. rys. 19):

01. Wybrać bok skrzydła, na którym chce się przeprowadzić operację.
02. Uzyskać dostęp do zamka obracając jego pokrywę o 180° (zrobić próbę, aby sprawdzić w którą stronę należy dokonać obrotu).
03. Wprowadzić dźwignię w zamek i obrócić ją o 180° w prawo.
04. Wyjąć dźwignię z zamka i zakryć zamek pokrywą.
05. Następnie, przesuwając skrzydło ręcznie, należy je przenieść w żądane położenie.

• Aby zablokować skrzydło (zob. rys. 20):

01. Wybrać bok skrzydła, na którym chce się przeprowadzić operację.
02. Uzyskać dostęp do zamka obracając jego pokrywę o 180° (zrobić próbę, aby sprawdzić w którą stronę należy dokonać obrotu).
03. Wprowadzić dźwignię w zamek i obrócić ją o 180° w lewo.
04. Wyjąć dźwignię z zamka i zakryć zamek pokrywą.
05. Przesunąć skrzydło ręcznie i ustawić je równo z zamkiem; puścić skrzydło dopiero po usłyszeniu, że zamek zaskoczył (= skrzydło zablokowane przez motoreduktor).

5 TEST KONTROLNY I URUCHOMIENIE

Są to najważniejsze fazy podczas realizacji automatyki, mające na celu zapewnienie jak najlepszego bezpieczeństwa.

Próba odbiorcza może służyć również jako okresowa kontrola urządzeń, z których składa się na automatyka.

⚠ UWAGA! – Próba odbiorcza i przekazanie automatyki do eksploatacji powinny być wykonane przez wykwalifikowany i doświadczony personel, który powinien wykonać przewidziane testy w zależności od istniejących zagrożeń. Należy sprawdzić przestrzeganie przepisów, norm i rozporządzeń i, w szczególności, spełnienie wymagań norm EN 13241-1, EN 12445 i EN 12453, które określają metody testów do kontroli automatyki bram.

5.1 - Test kontrolny

Każdy pojedynczy komponent automatu, na przykład czułe krawędzie, fotokomórki, zatrzymanie awaryjne, itd. wymaga specjalnego testu kontrolnego; dla tych urządzeń należy przeprowadzić procedury znajdujące się w odpowiednich instrukcjach obsługi. Aby przeprowadzić próbę techniczną motoreduktora, należy:

- 1 Sprawdzić, czy surowo przestrzegano zaleceń w kwestii bezpieczeństwa z Rozdziału 1 - Ogólne uwagi i środki ostrożności dotyczące bezpieczeństwa.
- 2 Doprowadzić bramkę do pozycji zamknięcia.
- 3 **Odłączyć jakiegokolwiek źródło zasilania elektrycznego od centrali.**
- 4 Odblokować siłownik za pomocą odpowiedniego klucza (patrz **paragraf 3.6**).
- 5 Przesunąć skrzydło bramy ręcznie, przenosząc je w położenie maksymalnego otwarcia; podczas przesuwu upewnić się, że odbywa się on z minimalnym tarcieniem i wymaga zastosowania stałej siły w każdym miejscu skoku: nie powinno być miejsc, w których tarcie jest większe niż w pozostałych.
- 6 Przesunąć skrzydło ręcznie i zatrzymać je w różnych miejscach jego skoku; następnie upewnić się, że skrzydło pozostaje w równowadze, a więc że nie przesuwają się.
- 7 Upewnić się, że systemy bezpieczeństwa oraz ograniczniki mechaniczne są w dobrym stanie.
- 8 Upewnić się, że zaciski śrubowe użyte do wykonania połączeń elektrycznych są dobrze dokręcone.
- 9 Zablokować siłownik za pomocą odpowiedniego klucza (patrz **paragraf 3.6**).
- 10 Doprowadzić zasilanie elektryczne do centrali.
- 11 Dokonać pomiaru siły uderzenia zgodnie z normą EN 12445. Jeśli kontrola "siły napędowej" użyta jest przez Centralę jako pomoc dla systemu, aby ograniczyć siłę uderzenia, należy spróbować wyregulować funkcje oferujące lepsze parametry.
- 12 W strefie przyległej do napędu, należy przymocować na stałe etykietę informującą o tym, jak należy odblokowywać i ponownie blokować ręcznie motoreduktor.

5.2 - Uruchomienie

Siłownik można uruchomić dopiero po pomyślnym przeprowadzeniu i zakończeniu wszystkich faz testu kontrolnego zarówno siłownika jak i innych obecnych urządzeń. Aby przygotować sprzęt do pracy, odnieść się do instrukcji obsługi Centrali.

WAŻNE – Zakazane jest uruchamianie częściowe lub w sytuacjach "pro-wizorycznych".

6 KONSERWACJA PRODUKTU

Czynności konserwacyjne muszą być wykonywane ściśle według zasad bezpieczeństwa opisanych w niniejszej instrukcji oraz w zgodzie z obowiązującymi przepisami i normami.

Urządzenia automatyki nie wymagają specjalnych czynności konserwacyjnych; należy jednak sprawdzać okresowo ich funkcjonowanie, przynajmniej co sześć miesięcy.

W tym celu, należy powtórzyć wszystkie testy opisane w punkcie 5.1 „Odbiór” i czynności opisane w punkcie „Konserwacja do wykonania przez użytkownika”. W przypadku występowania innych, dodatkowych urządzeń, należy przestrzegać planu konserwacji przedstawionego w odpowiednich instrukcjach obsługi.

W przypadku wymiany silnika, możliwe jest użycie zamiennego sworznia i ręczne przesunięcie bramy: w celu włożenia sworznia, patrz **rys. 21**.

4 POŁĄCZENIA ELEKTRYCZNE

Uwaga:

- Motoreduktor może zostać podłączony wyłącznie do centrali **MC824L**.
- Siłownik dostarczony jest z przewodem zasilania elektrycznego o długości 3 m. W związku z tym, jeśli konieczne jest pokrycie większej odległości, aby przyłączyć go do centrali MC824L, **należy obowiązkowo użyć puszek rozgałęźnej (nie dostarczonej na wyposażeniu), aby odpowiednio zabezpieczyć dodane odcinki kabla elektrycznego.**
- **Podłączenia elektryczne należy wykonać, gdy zasilanie sieciowe jest odłączone.**

Aby podłączyć przewód zasilania do centrali - patrz instrukcja centrali i następujące wskazania:

PRZEWÓD	POŁĄCZENIE
przewód Niebieski	Zasilanie silnika 24 V
przewód Brązowy	Zasilanie silnika 24 V

LIKwidACJA PRoDUKTU

Niniejszy produkt stanowi integralną część automatu, z tego względu musi zostać poddany likwidacji wraz z nim.

Tak, jak w przypadku czynności montażowych, również na zakończenie okresu funkcjonowania niniejszego produktu, czynności rozbiórki musi wykonać wykwalifikowany personel.

Niniejszy produkt został wykonany z różnych rodzajów materiału: niektóre z nich można poddać recyklingowi, inne - utylizacji. Należy zasięgnąć informacji dotyczących recyklingu lub utylizacji wskazanych w rozporządzeniach obowiązujących w Państwie kraju, dotyczących tej kategorii produktu..

Uwaga! – niektóre części produktu mogą zawierać substancje zanieczyszczające lub niebezpieczne, które po rozproszeniu w środowisku mogłyby negatywnie wpłynąć zarówno na środowisko jak i ludzkie zdrowie..

Jak wskazane przez symbol z boku, zakazane jest wyrzucanie niniejszego produktu do odpadów domowych. Należy więc dokonać "selektywnej zbiórki odpadów" w celu utylizacji, w sposób przewidziany przez rozporządzenia w Państwie kraju, lub zwrócić produkt do sprzedawcy w momencie zakupu nowego równoznacznego produktu.

Uwaga! – rozporządzenia obowiązujące na poziomie lokalnym mogą uwzględniać poważne kary w razie nielegalnej likwidacji niniejszego produktu.



CECHY TECHNICZNE PRoDUKTU

UWAGI • Wszystkie podane cechy techniczne, odnoszą się do temperatury otoczenia 20°C (± 5°C). • Nice S.p.A. zastrzega sobie prawo wprowadzenia zmian w produkcie w jakimkolwiek momencie, gdy uzna to za konieczne, zachowując jednocześnie jego funkcjonalność i przeznaczenie.

- **Typologia:** Siłownik elektromechaniczny do bramek lub bram skrzydłowych
- **Zasilanie:** 24 V ===
- **Pobór znamionowy:** 1 A
- **Pobór maksymalny:** 2.9 A
- **Moc znamionowy:** 25 W
- **Moc maksymalna:** 70 W
- **Stopień ochrony:** IP 67
- **Bieg:** 0° ... 120° (±10°)
- **Prędkość znamionowy:** 1.5 rpm
- **Moment znamionowy:** 60 Nm
- **Moment maksymalny:** 150 Nm
- **Temperatura funkcjonowania:** -20°C...+50°C
- **Cykle/godzinę z momentem znam:** 60
- **Wymiary (mm):** 305 x 145 x 346
- **Ciężar (kg):** 5.5

Deklaracja zgodności CE i deklaracja włączenia maszyny nieukończonyj

Deklaracja zgodna z dyrektywami: 2014/30/UE (EMC); 2006/42/WE (MD) załącznik II, część B.

Uwaga - Treść niniejszej deklaracji jest zgodna z oficjalną deklaracją zdeponowaną w siedzibie Nice S.p.A., a w szczególności z najnowszą wersją dostępną przed wydrukowaniem niniejszego podręcznika. Niniejszy tekst został dostosowany pod kątem wydawniczym. Kopię oryginalnej deklaracji zgodności można otrzymać od firmy Nice S.p.A. (TV) Italy.

Numer deklaracji: **589/OLTRE**

Weryfikacja: **0**

Język: **PL**

Nazwa producenta: NICE S.p.A.

Adres: Via Pezza Alta N°13, 31046 Rustignè di Oderzo (TV), Włochy.

Osoba upoważniona do sporządzenia dokumentacji technicznej: NICE S.p.A. – Via Pezza Alta N°13, 31046 Rustignè di Oderzo (TV), Włochy.

Typ produktu: Siłownik elektromechaniczny 24Vd.c., do bram skrzydłowych.

Model/Typ: OLTRE1824

Akcesoria:

Ja, niżej podpisany Roberto Griffa, jako Chief Executive Officer deklaruje na własną odpowiedzialność, że wyżej wymienione produkty są zgodne z następującymi dyrektywami:

- Dyrektywa PARLAMENTU EUROPEJSKIEGO I RADY 2014/30/UE z dnia 26 lutego 2014 r. w sprawie ujednoczenia prawodawstwa państw członkowskich w zakresie zgodności elektromagnetycznej (przekształcenie), zgodnie z następującymi normami zharmonizowanymi: EN 61000-6-2:2005; EN 61000-6-3:2007 + A1:2011.

Ponadto produkt jest zgodny z następującą dyrektywą w zakresie wymagań dotyczących maszyn nieukończonych:

- Dyrektywa PARLAMENTU EUROPEJSKIEGO I RADY NR 2006/42/WE z dnia 17 maja 2006 r. dotycząca maszyn, zmieniająca dyrektywę 95/16/WE (przekształcenie).
 - Niżej podpisany deklaruje, że stosowna dokumentacja techniczna została sporządzona zgodnie z załącznikiem VII B dyrektywy 2006/42/WE oraz, że spełnione zostały następujące wymagania podstawowe: 1.1.1 - 1.1.2 - 1.1.3 - 1.2.1 - 1.2.6 - 1.5.1 - 1.5.2 - 1.5.5 - 1.5.6 - 1.5.7 - 1.5.8 - 1.5.10 - 1.5.11.
 - Producent zobowiązuje się do przekazania władzom krajowym, w odpowiedzi na uzasadnione zapytanie, informacji dotyczących maszyny nieukończonyj, zachowując całkowicie swoje prawa do własności intelektualnej.
 - Jeżeli maszyna nieukończonyj oddana zostanie do eksploatacji w kraju europejskim, którego język urzędowy jest inny niż język niniejszej deklaracji, importer ma obowiązek dołączyć do niniejszej deklaracji stosowne tłumaczenie.
 - Ostrzegamy, że maszyny nieukończonyj nie należy uruchamiać do czasu, kiedy maszyna końcowa, do której zostanie włączonyj, nie uzyska deklaracji zgodności (jeżeli wymagana,) z założeniami dyrektywy 2006/42/WE.

Ponadto produkt jest zgodny z następującymi normami:

EN 60335-1:2002 + A1:2004 + A11:2004 + A12:2006 + A2:2006 + A13:2008 + A14:2010 + A15:2011; EN 60335-2-103:2003 + A11:2009.

Produkt jest zgodny z następującymi normami (w zakresie mających zastosowanie części): EN 13241-1:2003 + A1:2011; EN 12445:2000; EN 12453:2000; EN 12978:2003 + A1:2009.

Oderzo, dnia 21 kwiecień 2016 roku

Inż. **Roberto Griffa**
(Chief Executive Officer)

⚠ Zaleca się przechowywanie instrukcji i udostępnienie jej wszystkim użytkownikom urządzenia.

11.1 – OSTRZEŻENIA

- Nadzorować bramę podczas jej przesuwania się i zachować bezpieczną odległość do momentu, gdy brama zostanie całkowicie otwarta lub zamknięta. Nie przechodzić przez bramę dopóki nie zostanie ona całkowicie otwarta i się nie zatrzyma.
- Nie pozwalać dzieciom na przebywanie w pobliżu bramy ani na zabawę jej elementami sterującymi.
- Przechowywać nadajniki w miejscu niedostępnym dla dzieci.
- W przypadku wystąpienia jakichkolwiek nieprawidłowości (dziwne odgłosy, szarpanie), niezwłocznie przerwać użytkowanie urządzenia. Zlekceważenie takich nieprawidłowości może doprowadzić do wypadku.
- Nie dotykać żadnych części urządzenia, kiedy są w ruchu.
- Zapewnić wykonywanie okresowych kontroli zgodnie z planem konserwacji.
- Konserwacje lub naprawy urządzenia mogą być wykonywane wyłącznie przez wykwalifikowany personel techniczny.
- Przesłać polecenie z uszkodzonymi urządzeniami bezpieczeństwa:

Istnieje możliwość sterowania bramą nawet wtedy, gdy urządzenia zabezpieczające nie działają prawidłowo lub są nieaktywne.

01. Włączyć sterowanie bramy za pomocą nadajnika. Jeżeli urządzenia zabezpieczające zezwolą na otwarcie, brama otworzy się normalnie. W przeciwnym razie w ciągu 3 sekund należy ponownie aktywować i przytrzymać przycisk służący do wydania polecenia.
02. Po około 2 sekundach rozpocznie się ruch bramy w trybie „Manualnym”, to znaczy brama się przesuwa dopóki wciskamy przycisk, a po jego zwolnieniu natychmiast się zatrzyma.

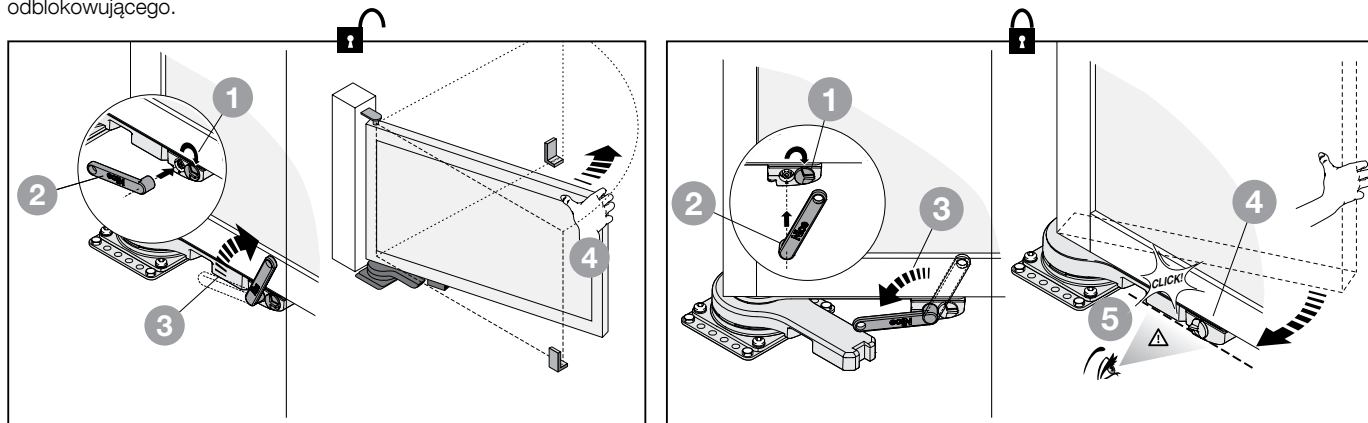
W przypadku uszkodzenia urządzeń zabezpieczających, należy jak najszybciej naprawić elementy automatyki.

11.2 – Ręczne blokowanie i odblokowanie motoreduktora

Motoreduktor OLTRE1824 jest wyposażony w system mechaniczny, umożliwiający ręczne otwieranie i zamykanie bramy.

Otwarcie ręczne należy wykonać w przypadku braku prądu lub usterki instalacji.

W przypadku awarii motoreduktora, możliwe jest wykonanie odblokowania silnika w celu sprawdzenia, czy usterka nie dotyczy mechanizmu odblokowującego.



11.3 – Konserwacja do wykonania przez użytkownika

Poniżej wymienione zostały czynności, które użytkownik bramy powinien okresowo wykonywać:

- Do czyszczenia powierzchni urządzeń stosować lekko zwilżoną ściereczkę (nie mokrą). Nie używać substancji zawierających alkohol, benzen, rozcieńczalniki lub inne substancje łatwopalne; użycie tych substancji może doprowadzić do uszkodzenia urządzeń i spowodować pożary lub porażenia prądem elektrycznym.
- Usuwanie liści i kamieni: odłączyć zasilanie od automatyki przed wykonaniem kolejnych działań, aby nikt nie doprowadził do uruchomienia bramy. W razie obecności akumulatora awaryjnego należy go odłączyć.



1 ALGEMENE WAARSCHUWINGEN EN VOORZORGSMAATREGELEN VOOR DE VEILIGHEID

ALGEMENE WAARSCHUWINGEN

- **LET OP! - Belangrijke aanwijzingen voor de veiligheid. Leef alle voorschriften na, want een niet correct uitgevoerde installatie kan ernstige schade veroorzaken**
- **LET OP! - Belangrijke aanwijzingen voor de veiligheid. Het is belangrijk dat deze instructies worden opgevolgd voor de veiligheid van personen. Bewaar deze instructies**
- Voordat u begint met de installatie dient u de "Technische kenmerken van het product" (in deze handleiding) te controleren, in het bijzonder of dit product geschikt is voor uw geleide onderdeel. Als het product niet geschikt is, mag u NIET overgaan tot de installatie
- Het product mag niet worden gebruikt voordat de inbedrijfstelling heeft plaatsgevonden zoals gespecificeerd in het hoofdstuk "Eindtest en inbedrijfstelling"
- **LET OP! - Volgens de meest recente Europese wetgeving moet het uitvoeren van een automatisering voldoen aan de geharmoniseerde normen van de geldende Machineryrichtlijn, waarbij een verklaring van de conformiteit van de automatisering afgegeven kan worden. In verband hiermee moeten alle werkzaamheden in verband met de aansluiting op de elektrische voeding, de eindtest, de inbedrijfstelling en het onderhoud van het product uitsluitend worden uitgevoerd door een gekwalificeerde en deskundige monteur!**
- Voordat u met de installatie van het product begint, dient u te controleren of al het te gebruiken materiaal in optimale staat en geschikt voor gebruik is
- **LET OP! - Om ieder risico op onvoorzien heropstarten van het thermische onderbrekingsmechanisme te vermijden, mag dit apparaat niet worden gevoed via een externe regelaar zoals een timer, noch worden aangesloten op een circuit dat regelmatig wordt in- of uitgeschakeld**
- U moet op het spanningsnet van de installatie een uitschakelapparaat aansluiten (niet meegeleverd) met een openingsafstand tussen de contacten waarbij volledige uitschakeling mogelijk is bij de condities die gelden voor overspanningscategorie III
- Behandel het product tijdens de installatie met zorg en voorkom dat het wordt geplet, dat er tegen wordt gestoten, dat het valt of dat het in aanraking komt met welke vloeistoffen dan ook. Zet het product niet in de buurt van warmtebronnen en stel het niet bloot aan open vuur. Hierdoor kan het beschadigd worden, waardoor storingen of gevaarlijke situaties kunnen ontstaan. Als dit gebeurt, stopt u de installatie onmiddellijk en wendt u zich tot de klantendienst
- De fabrikant is niet aansprakelijk voor materiële schade, zowel aan personen als aan voorwerpen, die voortvloeit uit de niet-naleving van de montage-instructies. In die gevallen is enige garantie voor materiaalfouten uitgesloten
- Het geluidsdrukniveau van de gemeten emissie A bedraagt minder dan 70 dB(A)
- Reinigings- en onderhoudswerkzaamheden die door de gebruiker kunnen worden uitgevoerd, mogen niet worden toevertrouwd aan kinderen die niet onder toezicht staan
- Voordat u werkzaamheden aan de installatie uitvoert (onderhoud, reiniging), moet het product altijd worden losgekoppeld van de netvoeding
- Controleer de installatie regelmatig. Controleer met name de kabels, de veren en de steunen om eventuele verstoringen van de balancerings en tekenen van slijtage of beschadiging in een vroeg stadium op te merken. Gebruik het apparaat nooit als het gerepareerd of opnieuw afgesteld moet worden; een storing in de installatie of een niet-correcte balancerings van de automatisering kan tot letsel leiden
- Het verpakkingsmateriaal moet volgens de plaatselijk geldende voorschriften afgevoerd worden
- Houd personen uit de buurt van de poort wanneer deze wordt bewogen met behulp van de bedieningselementen
- Controleer de automatisering tijdens het uitvoeren van de manoeuvre en houd personen op enige afstand tot de beweging voltooid is
- Bedien het product niet als er personen in de buurt zijn die werkzaamheden op de automatisering uitvoeren; koppel de elektrische voeding los alvorens deze werkzaamheden te laten uitvoeren

WAARSCHUWINGEN M.B.T. DE INSTALLATIE

- Controleer voordat u de bewegingsmotor installeert of alle mechanische onderdelen in goede staat zijn, volgens de regels gebalanceerd zijn en of de automatisering correct kan worden gemanoeuvreed
- Als het te automatiseren hek van een voetgangersdeur is voorzien, moet de installatie een controlesysteem krijgen, dat de werking van de motor blok-

- keert als de voetgangersdeur open is
- Verzekeer u ervan dat de bedieningselementen uit de buurt van de bewegende onderdelen worden gehouden, maar wel direct zicht op de poort geven. Tenzij u een schakelaar gebruikt, moeten de bedieningselementen op een hoogte van minimaal 1,5 m worden geïnstalleerd en mogen ze niet toegankelijk zijn
- Als de openingsbeweging bestuurd wordt door een brandwerend systeem, verzekeer u er dan van dat eventuele ramen die groter zijn dan 200 mm gesloten worden door de bedieningselementen
- Voorkom en vermijd elke vorm van blokkering tussen de bewegende en vaste onderdelen tijdens de bewegingen
- Breng het etiket m.b.t. de handmatige bediening permanent aan in de buurt van het bedieningselement waarmee de handmatige beweging wordt uitgevoerd
- Verzekeer u er na het installeren van de bewegingsmotor van dat het mechanisme, het beveiligingssysteem en alle bewegingen correct functioneren

2 BESCHRIJVING VAN HET PRODUCT EN GEBRUIKSBESTEMMING

Dit product is bedoeld voor de automatisering van hekken of deuren met draai-vleugels, uitsluitend in woonomgevingen.

LET OP! – Ledere vorm van gebruik, anders dan beschreven, dat plaatsvindt onder andere omgevingsvoorwaarden dan die, die in deze handleiding staan, moet als oneigenlijk en verboden worden beschouwd!

Het product is een elektromechanische reductiemotor die in de holle structuur van de vleugel van een hek wordt opgenomen; het gedeelte dat uitsteekt aan de onderkant van de vleugel moet aan de grond worden bevestigd. Het product is voorzien van een 24 V-gelijkstroommotor die wordt gevoed door de externe besturingseenheid waarmee hij moet worden verbonden. In geval van een stroomonderbreking (black-out) is het mogelijk om de vleugels van het hek handmatig in beweging te brengen door de reductiemotor los te maken van de vleugel. Voor de ontgrendeling van de vleugel en de handmatige manoeuvre, zie **paragraaf 3.6**.

3 INSTALLATIE

3.1 - Controles die aan de installatie voorafgaan

Alvorens tot de installatie over te gaan, is het noodzakelijk om de intacte staat van de componenten van het product te controleren, evenals de geschiktheid van het gekozen model en van de ruimte waarin de installatie plaatsvindt.

BELANGRIJK – De reductiemotor kan alleen hekken automatiseren die een efficiënte en veilige mechanische constructie hebben. Bovendien kan het geen defecten verhelpen die veroorzaakt werden door een verkeerde installatie of door slecht onderhoud van het hek.

3.2 - Geschiktheid van het te automatiseren hek en de omliggende ruimte

- Controleer of de mechanische structuur van het hek geschikt is om geautomatiseerd te worden in overeenstemming met de plaatselijk geldende normen (raadpleeg eventueel de gegevens op het etiket van het hek).
- Verplaats de vleugel van het hek met de hand door hem zo ver mogelijk te openen en te sluiten; verzekeer u er tijdens de beweging van dat de vleugel zo min mogelijk wrijving ondervindt en dat er een constante kracht nodig is over de hele beweging: er mogen geen punten zijn waar de wrijving groter is dan op andere punten.
- Verplaats de vleugel van het hek met de hand en laat hem op verschillende punten tijdens zijn slag los; ga na of de vleugel in evenwicht blijft, d.w.z. of hij niet beweegt.
- Controleer of de ruimte rondom de reductiemotor het mogelijk maakt om de vleugels van het hek gemakkelijk en veilig met de hand te deblokken.
- Zorg voor eindaanslagen op de grond voor zowel de opening als de sluiting van het hek.
- Controleer of de bevestigingszone van de reductiemotor compatibel is met het ruimtebeslag van de reductiemotor (**afb. 1**).

3.3 - Gebruikslimieten van het product

- De vleugel van het hek waarin de reductiemotor moet worden gemonteerd mag niet zwaarder zijn dan 100 kg en niet langer dan 1,80 m.
- De reductiemotor mag uitsluitend worden verbonden met besturingseenheid **MC824L**.
- Aangezien de reductiemotor binnenin de vleugel van het hek moet worden gemonteerd, moet de stijl van de vleugel (waarin het draaipunt aanwezig is) bestaan uit een hol profiel met een ruimte voor de behuizing van Ø 56 mm of meer.
- Het is verplicht om mechanische aanslagen te monteren op de vastgestelde punten, die dienen als eindaanslag bij opening en bij sluiting (deze accessoi-

res worden niet meegeleverd).

3.4 - Werken ter voorbereiding van de installatie

In **afb. 2** wordt een voorbeeld gegeven van een complete installatie met Ni-ce-onderdelen. Deze onderdelen zitten volgens een standaardschema op vaste plaatsen. Raadpleeg **afb. 2** om ongeveer de positie te weten waar elke voorziene component moet worden gemonteerd en om het schema te bepalen van de elektrische verbindingen tussen de componenten.

Nuttige componenten voor het realiseren van een volledige installatie (afb. 2):

- A - Elektromechanische reductiemotoren
- B - Besturingskast
- C - Paar fotocellen
- D - Kolommen voor paar fotocellen (C)
- E - Knipperlicht met ingebouwde antenne
- F - Digitaal toetsenbord / Keuzeschakelaar met sleutel
- G - Paar mechanische aanslagen voor opening en sluiting

3.5 - Installatie

Voer voor de installatie van de reductiemotor alle fasen uit die worden geïllustreerd op de afbeeldingen, van **afb. 1 tot en met afb. 18**. Houd nauwgezet de aangegeven volgorde aan.

3.6 - Manuele deblokkering en blokkering van de reductiemotor

Gebruik voor het ontgrendelen of vergrendelen van de reductiemotor de meegeleverde hefboom, als volgt:

• Voor de ontgrendeling van een vleugel (zie afb. 19):

01. Kies aan welke kant van de vleugel u wilt werken.
02. Draai het deksel van het slot 180° om het slot te kunnen bereiken (probeer uit in welke richting het moet worden gedraaid).
03. Steek de hefboom in het slot en draai hem 180° met de klok mee.
04. Haal de hefboom uit het slot en bedek dit weer met zijn deksel.
05. Beweeg de vleugel ten slotte met de hand om hem in de gewenste positie te brengen.

• Voor de vergrendeling van een vleugel (zie afb. 20):

01. Kies aan welke kant van de vleugel u wilt werken.
02. Draai het deksel van het slot 180° om het slot te kunnen bereiken (probeer uit in welke richting het moet worden gedraaid).
03. Steek de hefboom in het slot en draai hem 180° tegen de klok in.
04. Haal de hefboom uit het slot en bedek dit weer met zijn deksel.
05. Verplaats de vleugel met de hand en breng hem naar het slot; laat hem ten slotte los nadat u het slot heeft horen klikken (= vleugel vergrendeld aan de reductiemotor).

4 ELEKTRISCHE AANSLUITINGEN

Waarschuwingen:

- De reductiemotor mag uitsluitend worden verbonden met de besturingseenheid **MC824L**.
- De reductiemotor is voorzien van een elektrische voedingskabel met een lengte van 3 m. Als er een grotere afstand moet worden overbrugd om de vleugel te verbinden met de besturingseenheid MC824L, **is het gebruik van een aftakmof (niet meegeleverd) verplicht om de aanvullende elektrische kabel goed te beschermen.**
- **Voer de elektrische aansluitingen uit terwijl de netvoeding afgesloten is.**

Zie voor de aansluiting van de voedingskabel op de besturingskast de handleiding van de besturingskast en volg onderstaande aanwijzingen:

DRAAD	AANSLUITING
Blauwe draad	Voeding motor 24 V
Bruine draad	Voeding motor 24 V

5 TESTEN EN INDIENSTELLING

Dit zijn de belangrijkste fasen bij de realisatie van de automatisering om de maximale veiligheid te garanderen.

De eindtest kan ook als periodieke controle voor de verschillende inrichtingen van de automatisering worden gebruikt.

⚠ LET OP! – De eindtest en de inbedrijfstelling van de automatisering moeten worden uitgevoerd door gekwalificeerd en ervaren personeel, dat ook moet bepalen welke proeven er moeten worden gedaan gezien de aanwezige risico's. Verder moet dit personeel nagaan of wordt voldaan aan de geldende wetten, normen en verordeningen, en in het bijzonder aan alle vereisten van de normen EN 13241-1, EN 12445 en EN 12453, die de beproevingsmethoden voor de controle van aangedreven hekken bepalen.

5.1 - Testen

Alle afzonderlijke componenten van de automatisering, zoals bijvoorbeeld, gevoelige randen, fotocellen, noodstoppen enz., moeten aan een specifieke testfase worden onderworpen. Voor deze voorzieningen moeten de procedures gevolgd worden die in de respectievelijke handleidingen staan. Om de reductiemotor te testen gaat u als volgt te werk:

- 1 Controleer of, op het gebied van de veiligheid, de voorschriften van Hoofdstuk 1 - Algemene waarschuwingen en voorzorgsmaatregelen voor de veiligheid - strikt in acht genomen zijn.
- 2 Zet het hek in de gesloten stand.
- 3 Sluit iedere elektrische voedingsbron naar de besturingskast af.
- 4 Deblokkeer de reductiemotor met de betreffende sleutel (zie **paragraaf 3.6**).
- 5 Verplaats de vleugel van het hek met de hand, door hem zo ver mogelijk te openen en te sluiten; verzeker u er tijdens de beweging van dat de vleugel zo min mogelijk wrijving ondervindt en dat er een constante kracht nodig is over de hele beweging: er mogen geen punten zijn waar de wrijving groter is dan op andere punten.
- 6 Verplaats de vleugel van het hek met de hand en laat hem op verschillende punten tijdens zijn slag los; ga na of de vleugel in evenwicht blijft, d.w.z. of hij niet beweegt.
- 7 Ga na of de veiligheidssystemen en de mechanische aanslagen in goede staat zijn.
- 8 Ga na of de schroefklemmen die zijn gebruikt voor de elektrische verbindingen goed zijn aangehaald.
- 9 Blokkeer de reductiemotor met de betreffende sleutel (zie **paragraaf 3.6**).
- 10 Schakel de elektrische voeding naar de besturingskast in.
- 11 Meet de botskracht volgens hetgeen voorgeschreven wordt door de norm EN 12445. Indien de controle van de "motorkracht" door de besturingskast gebruikt wordt als hulp bij het systeem voor de afname van de botskracht, probeer dan de functies te regelen die de beste parameters bieden.
- 12 Breng het etiket met de beschrijving van de handmatige vergrendeling/ontgrendeling van de reductiemotor permanent aan op een plaats in de buurt van de automatisering.

5.2 - Indienstelling

De indienstelling kan alleen plaatsvinden nadat alle testfasen van de reductiemotor en van de andere aanwezige voorzieningen met goed resultaat doorlopen zijn. Raadpleeg voor de uitvoering van de indienstelling de handleiding met instructies van de besturingskast.

6 ONDERHOUD VAN HET PRODUCT

Het onderhoud moet worden uitgevoerd met volledige inachtneming van de veiligheidsvoorschriften in deze handleiding en volgens de geldende wettelijke voorschriften en regelgeving.

De inrichtingen voor de automatisering behoeven geen bijzonder onderhoud; controleer echter regelmatig, minstens eenmaal per zes maanden, of alle inrichtingen perfect functioneren.

Hiervoor moeten alle beproevingen en controles worden uitgevoerd die beschreven zijn in paragraaf 5.1 "Eindtest" en moeten de werkzaamheden worden verricht die zijn vermeld in de paragraaf "Onderhoud dat door de gebruiker mag worden uitgevoerd".

Als er andere inrichtingen aanwezig zijn, volgt u de aanwijzingen in het betreffende onderhoudsplan.

Bij vervanging van de motor kan de vervangende pen worden gebruikt en kan het hek handmatig worden bewogen: voor het plaatsen van de pen, zie **alf. 21**.

VUILVERWERKING VAN HET PRODUCT

Dit product maakt integraal deel uit van de automatisering en moet dus samen met de automatisering als vuil verwerkt worden.

Net als voor de installatiewerkzaamheden, moet ook de ontmanteling aan het einde van de levensduur van het product uitgevoerd worden door gekwalificeerd personeel.

Dit product bestaat uit verschillende soorten materiaal: enkele materialen kunnen gerecycled worden, andere moeten worden weggegooid. Win inlichtingen in over recycling en vuilverwerking zoals deze voorgeschreven worden door de reglementen die op uw grondgebied van kracht zijn voor deze productcategorie.

Let op! – enkele delen van het product kunnen vervuilende of gevaarlijke substanties bevatten die, eenmaal in het milieu geloosd, schadelijke effecten voor het milieu en de menselijke gezondheid kunnen hebben.

Zoals door het symbool hierna aangeduid wordt, is het verboden dit product met huishoudelijk afval weg te gooien. Zorg dus voor een "gescheiden inzameling" volgens de methoden die voorgeschreven worden door de plaatselijke reglementen of overhandig het product aan de verkoper wanneer u een nieuw, gelijkaardig product aanschafft.



Let op! – de plaatselijke reglementen die van kracht zijn, kunnen zware boetes voorzien wanneer dit product op abusievelijk wijze weggegooid wordt.

TECHNISCHE KENMERKEN VAN HET PRODUCT

WAARSCHUWINGEN: • Voor alle technische kenmerken die vermeld worden, wordt uitgegaan van een omgevingstemperatuur van 20°C (± 5°C). • Nice S.p.A. behoudt zich het recht voor om op ieder gewenst moment dat zij noodzakelijk acht wijzigingen op het product aan te brengen waarbij de werking en de gebruiksbestemming hoe dan ook gehandhaafd blijven.

- **Typologie:** Elektromechanische reductiemotor voor hekken of poorten met scharnierende hekvleugels
- **Voeding:** 24 V ===
- **Piekabsorptie:** 1 A
- **Maximumabsorptie:** 2.9 A
- **Piekvermogen:** 25 W
- **Maximumvermogen:** 70 W
- **Beschermklasse:** IP 67
- **Bewegingstraject:** 0°...120° (±10°)
- **Nominaal snelheid:** 1.5 rpm
- **Nominaal koppel:** 60 Nm
- **Maximumkoppel:** 150 Nm
- **Werktemperatuur:** -20°C...+50°C
- **Cycli/uur bij nominaal koppel:** 60
- **Afmetingen (mm):** 305 x 145 x 346
- **Gewicht (kg):** 5.5 kg

EG-verklaring van overeenstemming en inbouwverklaring betreffende niet voltooide machines

Verklaring conform Richtlijnen: 2014/30/UE (EMC); 2006/42/CE (MD) bijlage II, deel B.

Opmerking - De inhoud van deze verklaring komt overeen met hetgeen is vastgelegd in het officiële document dat is gedeponeerd ten kantore van Nice S.p.A., en in het bijzonder met de laatste herziene en beschikbare versie ervan, vóór het drukken van deze handleiding. De hier gepresenteerde tekst is herzien om redactionele redenen. Een copie van de oorspronkelijke verklaring kan worden aangevraagd bij Nice S.p.A. (TV) Italy.

Nummer verklaring: **589/OLTRE**

Revisie: **0**

Taal: **NL**

Naam fabrikant: NICE S.p.A.

Adres: Via Pezza Alta N°13, 31046 Rustignè di Oderzo (TV), Italy

Persoon gemachtigd tot het samenstellen van het technisch dossier: NICE S.p.A. – Via Pezza Alta N°13, 31046 Rustignè di Oderzo (TV), Italy

Type product: Elektromechanische reductiemotor 24Vd.c., ondergronds, voor draaipoorten.

Model / Type: OLTRE1824

Accessoires:

Ondergetekende Roberto Griffa, verklaart onder eigen verantwoordelijkheid als Chief Executive Officer dat de producten voldoen aan de vereisten van de hierop volgende richtlijnen:

- RICHTLIJN 2014/30/UE VAN HET EUROPEES PARLEMENT EN DE RAAD VAN DE EUROPESE UNIE van 15 december 2004 betreffende de onderlinge aanpassing van de wetgevingen van de lidstaten inzake elektromagnetische compatibiliteit en tot wijziging van richtlijn 89/336/EEG, volgens de hieropvolgende geharmoniseerde normen: EN 61000-6-2:2005; EN 61000-6-3:2007 + A1:2011.

Bovendien voldoet het product aan de hieropvolgende richtlijn volgens de voor "pseudo machines" geldende vereisten:

- Richtlijn 2006/42/EG VAN HET EUROPEES PARLEMENT EN DE RAAD VAN DE EUROPESE UNIE van 17 mei 2006 betreffende machines en tot wijziging van Richtlijn 95/16/EG (herschikking).
 - Hierbij verklaart men dat het relevante technische dossier is ingevuld volgens de aanwijzingen in bijlage VII B van de richtlijn 2006/42/EG en dat daarbij aan de hieropvolgende verplichte eisen is voldaan:
1.1.1 - 1.1.2 - 1.1.3 - 1.2.1 - 1.2.6 - 1.5.1 - 1.5.2 - 1.5.5 - 1.5.6 - 1.5.7 - 1.5.8 - 1.5.10 - 1.5.11.
 - De fabrikant zal zorgdragen voor de overdracht van informatie betreffende de niet voltooide machine, op speciaal verzoek van de wetgevende instanties zonder daarbij schade te doen toekomen aan zijn eigen intellectueel eigendomsrecht.
 - Mocht de onvoltooide machine in gebruik worden genomen in een land waar een andere taal wordt gesproken dan in deze verklaring is gebruikt, is de importeur verplicht de vertaling van het desbetreffende document aan de documentatie toe te voegen.
 - Het is niet toegestaan de niet voltooide machine in gebruik te nemen voordat de uiteindelijke machine waarop deze zal worden ingebouwd, en indien van toepassing geschikt is verklaard volgens de richtlijn 2006/42/EG.

Bovendien voldoet het product aan de hierop volgende normen: EN 60335-1:2002 + A1:2004 + A11:2004 + A12:2006 + A2:2006 + A13:2008 + A14:2010 + A15:2011; EN 60335-2-103:2003 + A1:2009.

Het product voldoet, waar van toepassing, aan de hierop volgende normen: EN 13241-1:2003 + A1:2011; EN 12445:2000; EN 12453:2000; EN 12978:2003 + A1:2009.

Oderzo, 21 april 2016

Ing. **Roberto Griffa**
(Chief Executive Officer)

⚠ We raden u aan deze gebruikshandleiding te bewaren en te overhandigen aan alle gebruikers van de automatisering.

11.1 – WAARSCHUWINGEN

- Bewaak het bewegende hek en blijf op veilige afstand totdat het hek helemaal geopend of gesloten is. Loop niet langs het hek voor het helemaal geopend of gesloten is.
- Laat kinderen niet in de buurt van het hek of met de bedieningselementen ervan spelen.
- Houd de zenders buiten het bereik van kinderen.
- Stop het gebruik van de automatisering onmiddellijk als u een abnormale werking waarneemt (vreemde geluiden of hortende bewegingen); als deze waarschuwing niet in acht wordt genomen, kan dat ernstige gevaren en kans op ongevallen veroorzaken.
- Raak geen enkel onderdeel aan terwijl het in beweging is.
- Laat periodieke controles uitvoeren in overeenstemming met het onderhoudsplan.
- Onderhoud of reparaties mogen uitsluitend worden uitgevoerd door gekwalificeerd technisch personeel.
- Zond een instructie als de beveiligingen niet functioneren:

Als de beveiligingen niet goed functioneren of buiten gebruik zijn, kan het hek toch worden bediend.

01. Bedien het hek met de zender. Als de beveiligingen het toestaan, gaat het hek normaal open, anders moet de instructie binnen 3 seconden opnieuw worden gegeven en moet de bediening vastgehouden worden.

02. Na ongeveer 2 seconden komt het hek in beweging in de modus “persoon aanwezig”, d.w.z. zolang de bedieningsinrichting geactiveerd blijft, beweegt het hek; zodra de bedieningsinrichting losgelaten wordt, stopt het hek.

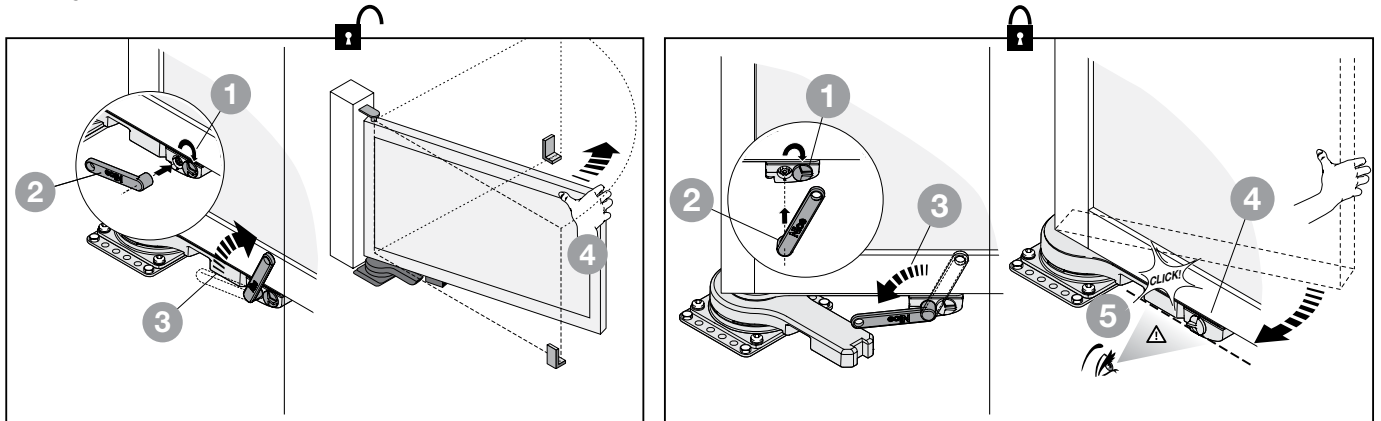
Wanneer de beveiligingen buiten gebruik zijn, moet de automatisering zo snel mogelijk gerepareerd worden.

11.2 – Handmatig ontgrendelen en vergrendelen van de reductiemotor

De reductiemotor OLTRE1824 is uitgerust met een mechanisch systeem waarmee het hek handmatig geopend en gesloten kan worden.

De handmatige bediening moet worden gebruikt als er geen stroom is of bij een storing in het systeem.

Bij een defect in de reductiemotor kan echter worden geprobeerd om de ontgrendeling van de motor te gebruiken, om na te gaan of de storing niet in het ontgrendelmechanisme zit.



11.3 – Onderhoud dat door de gebruiker mag worden uitgevoerd

Hieronder staat de lijst van werkzaamheden die de gebruiker regelmatig moet uitvoeren:

- **Reiniging van het oppervlak van de apparaten: gebruik een ietwat vochtige (niet natte) doek. Gebruik geen vloeistoffen waar alcohol, benzeen, oplosmiddelen, of andere ontvlambare substanties in zitten. Het gebruik van zulke vloeistoffen zou de apparaten kunnen beschadigen, en er zou brand of elektrische schokken kunnen ontstaan.**
- **Verwijder bladeren en stenen: koppel het apparaat los van de elektrische voeding voor u hiermee begint, om te voorkomen dat iemand het hek activeert. Als het apparaat over een bufferbatterij beschikt moet u die ook loskoppelen.**





Nice S.p.A.
Via Pezza Alta, 13
31046 Oderzo TV Italy
info@niceforyou.com

www.niceforyou.com