

**EN - Installation and use instructions
and warnings**

**IT - Istruzioni ed avvertenze per
l'installazione e l'uso**

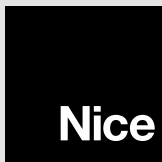
**FR - Instructions et avertissements
pour l'installation et l'utilisation**

**ES - Instrucciones y advertencias
para la instalación y el uso**

**DE - Anweisungen und Hinweise für
die Installation und die Bedienung**

**PL - Instrukcje i ostrzeżenia
związane z instalowaniem i
użytkowaniem**

**NL - Aanwijzingen en aanbevelingen
voor installering en gebruik**



NiceOne

Receiver

OX4 / OX4T

CE 0682



WARNINGS

WORKING IN SAFETY!

CAUTION! – For personal safety it is important to observe these instructions.

CAUTION! – Warning - Important safety instructions: keep these instructions in a safe place.

CAUTION! – All product installation, connection, programming and maintenance operations must be performed exclusively by a qualified and skilled technician.

Observe the following warnings:

- Never make any modifications to part of the product other than those specified in this manual. Unauthorised operations can be the source of hazards and malfunctions. The manufacturer declines all liability for damage caused by makeshift modifications to the product.
- For cleaning the product surfaces, use a slightly damp (not wet) cloth. **Important** – Never use substances containing alcohol, benzene, diluents or other flammable substances. Use of such substances could damage the product.
- Keep this manual in a safe place to enable future product

maintenance and programming operations.

- The product packaging material must be disposed of in full observance of current local legislation governing waste disposal.

This device complies with Part 15 of the FCC Rules and with RSS-210 of Industry Canada. Operation is subject to the following two conditions: (1) this device may not cause harmful interference, and (2) this device must accept any interference received, including interference that may cause undesired operation. Any changes or modifications made to this device without the express permission of the manufacturer may void the user's authority to operate this device.

1 – PRODUCT DESCRIPTION AND INTENDED USE

The **OX4 / OX4T** receiver is part of the NiceOpera System produced by Nice. It is designed for use in systems for the automation of gates, garage doors, road barriers, sun awnings, shutters, skylights, and for the control of lights and electrical circuits in general.

Any other use is to be considered improper and is strictly prohibited! The manufacturer declines all liability for damage resulting from improper use of the product and other than as specified in this manual.

2 – PRODUCT SPECIFICATIONS

- 4 relays with normally open (NO) and normally closed (NC) electrical contacts for use with electric power circuits.
- With 3 dip switches: 2 for Timer programming and 1 for future use.

- 14 functions for association with output relays.
- Memory capacity for storage of up to 1024 transmitters.
- Compatible with radio encoding “**O-Code**” / “**FloR**” / “**TTS**”, or “**Smilo**”, or “**Flo**”.

(OX4T ONLY) – Integration of a transmitter enables re-transmission of the received command to a second receiver (“Repeater” function), thus expanding the operating range of the receiver-transmitter system.

(OX4T ONLY) – Possibility of connection via radio to the Obox programming unit by means of the built-in transmitter, or via cable to the Oview programming unit. These devices facilitate programming, management of memorised codes, diagnostics and other operations.

(OX4T ONLY) – Assigned personal ID number, known as “**Certificate**”, as stated on the sealed card supplied in the pack. The certificate enables access to many operations such as memorisation of new transmitters without the need for direct intervention on the receiver. **Caution!** – Keep the certificate in a safe place to prevent use by unauthorised persons and “wireless” access to data stored in the receiver, unless the latter has additional protection such as a programmed security password.

What is “NiceOpera”?

Nice Opera is a system comprising various devices normally used in systems for the automation of gates, garage doors, and road barriers with mobile arms, designed to communicate and exchange data via radio, via “O-Code” encoding, and via cable by means of the protocol “BusT4”, with full integration of the two systems.

The devices in “NiceOpera” are:

- **transmitters in the NiceOne series;**
- **receivers in the NiceOne series;**
- **gearmotors with “BusT4” type control unit.**

There are also other supplementary software and hardware devices in addition to the above:

- **O-Box programming unit with dedicated software, for transmitters and receivers;**
- **Oview programming unit, for control units and receivers. Oview can also be used in conjunction with:**
 - **a Bluetooth® module and dedicated software, for data communication between Oview and a Personal computer (or palm-**

top);

– a GSM® module and dedicated software, for data communication via Internet between Oview and a Personal computer (or palmtop).

The Gsm® module also enables the use of a smartphone and standard mobile phone: these can be used to send a command to an automation by means of a call or text message; also, the smartphone, equipped with the Windows® Mobile operating system enables use of the software “Oview software suite”.

3 – PRODUCT INSTALLATION

01. Remove the top cover of the receiver (**fig. 1**).
02. In the zones marked accordingly, drill the holes used to route the cables and for wall-mounting of the receiver.
Caution! – Take suitable precautions to guarantee the IP protection rating required for the type of installation. In particular, fit cable clamps (not supplied) to guarantee protection of the power cables and control cables against possible traction or torsion.
03. Fix the receiver housing to the wall (**fig. 2**). **Caution! – The receiver must be positioned so that the cables enter the housing exclusively from the bottom.**

4 – ELECTRICAL CONNECTIONS

Fig. 3 shows the terminals and sockets used for connections:

- **(A)** for electrical power mains connection;
- **(B)** for aerial connection;
- **(C and D)** for connection of the contacts of the 4 relays;
- **(E)** for Obox connection;
- **(F)** for connection of Oview and the “BusT4” cable.

Each relay is fitted with 1 common contact (C), 1 normally open (NO) contact in standby status and 1 normally closed (NC) contact in standby status: these are all voltage-free contacts.

The contacts of the 4 relays have double insulation with respect to the receiver circuit, as well as between the pair of relays 1 and 2 and the pair of relays 3 and 4.

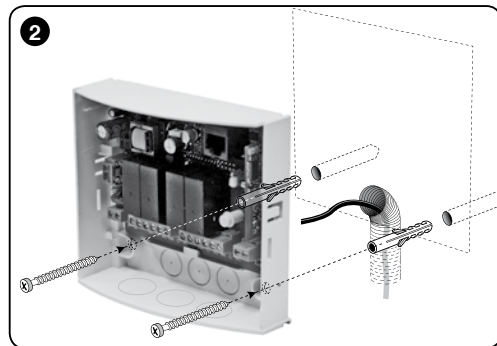
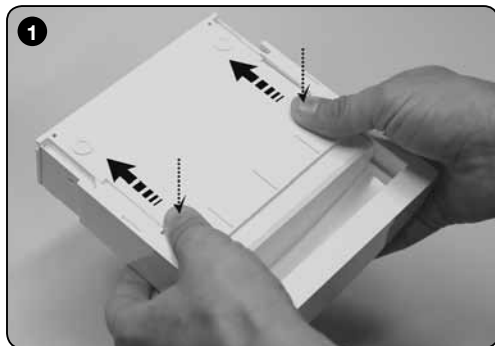
The double insulation enables the optional use of the contacts in very low voltage circuits or mains voltage circuits with the following options:

- use of **all** contacts in mains voltage electric circuits;
- use of **all** contacts in very low voltage electric circuits;
- use of relays **1** and **2** (or **3** and **4**) in mains voltage electric circuits and relays **3** and **4** (or **1** and **2**) in very low voltage electric circuits.

Relay wiring diagrams

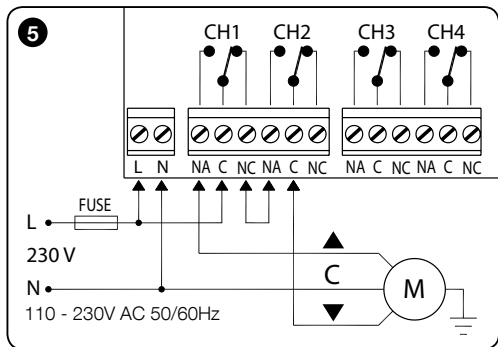
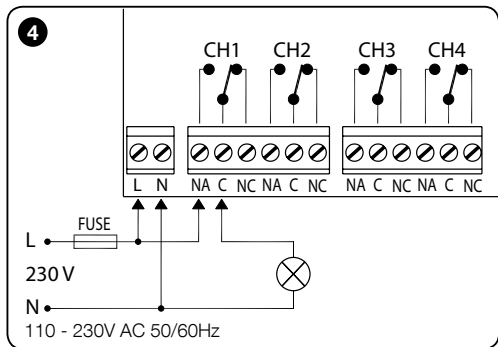
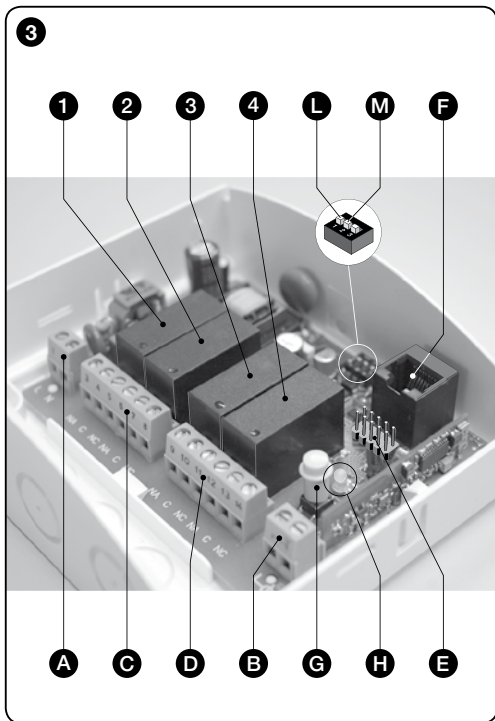
Fig. 4 shows the diagram for connection of the relays to a general electric circuit (motor, lamp etc.) with power from the mains.

Fig. 5 shows the diagram for connection of the relays to a bi-directional motor (awnings, Venetian blinds etc.).



Warnings for aerial connection

- When connecting the aerial supplied, leave the wire at the length supplied and lay straight to avoid excessive bending.
- If the receiver is not in a good position and the radio signal is weak, replace the aerial supplied with an external version to improve reception (mod. ABF or ABFKIT). The new aerial must be positioned as high as possible above any metal or reinforced concrete structures present in the area.



5 – PROGRAMMING

Warnings:

Some programming functions in this chapter use the key **P1** and led **L1** (fig. 3-G/H) of the receiver.

During programming the led emits a specific number of flashes, with a specific duration and colour (green, red or orange) to indicate the current operating status. For the meaning of these signals, consult **Table B** at the end of the manual.

Other functions can be programmed exclusively using the devices Obox or Oview belonging to the NiceOpera system.

5.1 - MEMORISATION OF TRANSMITTERS

The receiver can memorise up to 1024 transmitters. Compatible with radio encoding “**O-Code**” / “**FloR**” / “**TTS**”, or “**Smilo**”, or “**Flo**”.

Caution! – these three encoding groups are not compatible with one another; therefore the first transmitter memorised in the transmitter also defines the encoding family for all the subsequent transmitters.

To verify whether transmitters are already memorised on the receiver and the relative encoding group, disconnect the receiver from the power supply, switch on again and count the number of **green** flashes, emitted by led L1:

1 flash = **Flo** encoding

2 flashes = **O-Code** / **FloR** / **TTS** encoding

3 flashes = **Smilo** encoding

5 flashes = no transmitter memorised

The transmitters can be memorised using one of the following procedures:

• **Procedure Mode I:** programs **all keys**(*) of the transmitter

once only, associating each key to a relay, according to the following scheme: key **1** = relay **1** / key **2** = relay **2** / key **3** = relay **3** / key **4** = relay **4**.

“Mode I” programs each key to operate in “hold-to-run” mode on the respective relay.

(*) **Note** – If the transmitter has several codes, – such as the models ON9, WM009C etc. with the keyboard divided into groups of keys with each group associated with a specific code, as if these were separate transmitters – the “Mode I” procedure only memorises the keys belonging to a specific group; the procedure must be repeated for each group.

• **Procedure Mode II:** programs **a single key** of the transmitter associating it with the required function, from those present in **Table A**.

Memorising a transmitter in “**Mode I**”

01. Press and hold **P1** on the receiver until the green Led **L1** illuminates (after approx. 4 seconds) and then release;
02. Within 10 seconds, press and hold any transmitter key to be memorised, until the green led L1 on the receiver emits the first of 3 flashes to confirm memorisation.

When these flashes are completed, to memorise another transmitter in “Mode I”, press any key on the new transmitter within 10 seconds.

Memorising a transmitter in “**Mode II**”

01. In **Table A** select the function to be programmed (e.g. “Function 8”);
02. On the receiver, press **P1** the same number of times

as the number identifying the selected function (in our example, 8 times). On completion, the green Led **L1** emits the number of short flashes, equal to the number of presses on the key (in our example, 8 short flashes);

03. Within 10 seconds, press and hold any transmitter key to be memorised, until the green led L1 on the receiver emits the first of 3 flashes to confirm memorisation.

When these flashes are completed, to memorise a new key with the same function (also on another transmitter) press this new key within 10 seconds.

Table A – Association of functions with a transmitter key

Function 1: activates **relay 1** in hold-to-run mode;

Function 2: activates **relay 2** in hold-to-run mode;

Function 3: activates **relay 3** in hold-to-run mode;

Function 4: activates **relay 4** in hold-to-run mode;

Function 5: activates **relay 1** in On/Off mode;

Function 6: activates **relay 2** in On/Off mode;

Function 7: activates **relay 3** in On/Off mode;

Function 8: activates **relay 4** in On/Off mode;

Function 9 (note 1): activates **relay 1** and **2** for bi-directional motor control (shutters or sun awnings)

Function 10 (note 1): activates **relay 3** and **4** for bi-directional motor control (shutters or sun awnings)

Function 11 (note 2): activates **relay 1** for time interval set in "Timer 1"

Function 12 (note 2): activates **relay 3** for time interval set in "Timer 2"

Function 13 (note 1): activates **relay 1** and **2** for bi-directional motor control (Venetian blinds)

Function 14 (note 1): activates **relay 3** and **4** for bi-directional motor control (Venetian blinds)

Note 1 (Functions 9, 10, 13, 14)

To memorise this function, press any key on the transmitter. In this way the receiver memorises transmitter keys 1, 2, 3, (4) simultaneously, configuring them with the following commands: Key **1** = **UP** / Key **2** = **STOP** / Key **3** = **DOWN** / (Key **4** = **STOP**).

To control a motor in both directions, the relays must be connected as shown in **fig. 5**.

- **For Function 9 and 10:** using the receiver, each time a command is sent the relays are activated for the interval set on the timer: Timer 1 for relays 1 and 2; Timer 2 for relays 3 and 4 (to program the timers, see chapter 5.3).
- **For Function 13 and 14:** using the receiver, each time a command is sent, the relays remain active while the hold-to-run key is pressed. However, if the command lasts for more than 3 seconds, the relays remain active for the time set on the timer: Timer 1 for relays 1 and 2; Timer 2 for relays 3 and 4 (to program the timers, see chapter 5.3).

Note 2 (Functions 11, 12)

Using the receiver, each time a command is sent the relays are activated for the interval set on the corresponding timer (to program the timers, see chapter 5.3). Before the time elapses, simply send a new command to restart the timer. On the other

hand, to interrupt the timer before the interval elapses, send a new command, pressing the key for at least 3 seconds.

When using the receiver, if a relay receives several commands consecutively – for example from two keys memorised on the same relay but with different functions – the receiver executes the last command sent in chronological order.

5.2 - MEMORISING A NEW TRANSMITTER USING THE PROCEDURE “IN THE VICINITY OF THE RECEIVER”

[requires a transmitter already memorised]

A NEW transmitter can be memorised in the receiver memory without acting directly on key of the receiver, but by simply working within its reception range. To use this procedure, an OLD transmitter, previously memorised (in “Mode I” or in “Mode II”) and operative, is required. The procedure enables the NEW transmitter to be memorised with the same settings as the OLD version. **Note** – If using NiceOne transmitters as alternative in this procedure, memorisation may be performed using the “Enable Code” (refer to transmitter instruction manual).

Procedure warnings

- **The procedure must be performed within the reception range of the receiver (maximum 10-20 m from receiver).**
- **If the OLD transmitter is memorised in “Mode I” during the procedure press any key either on the Old or New transmitter; on the other hand, if the OLD transmitter is memorised in “Mode II”, during the procedure press the required command key on the OLD transmitter and the associated key to be memorised for this command on the New transmitter.**
- **There are two procedures: choose one as preferred.**

Standard procedure

01. On the NEW transmitter, press and hold the key *** for at least 5 seconds and then release.
02. On the OLD transmitter, press the key *** 3 times and then release.

03. On the NEW transmitter, press the same key pressed in point 01 once and then release.

Alternative procedure

01. On the NEW transmitter, press and hold the key *** for at least 3 seconds and then release.
02. On the OLD transmitter, press and hold the key *** for at least 3 seconds and then release.
03. On the NEW transmitter, press the same key pressed in point 01 for at least 3 seconds and then release.
04. On the OLD transmitter, press the same key pressed in point 02 for at least 3 seconds.

5.3 - PROGRAMMING A TIMER

“Timer 1” and “Timer 2” represent the time in which the relays remain active:

- **Timer 1** used for relay 1. This timer corresponds to the work time of relays 1 and 2, when programmed with Function 9, 11 or 13.
- **Timer 2** used for relay 3. This timer corresponds to the work time of relays 3 and 4, when programmed with Function 10, 12 or 14.

The factory settings of the two Timers is 120 seconds. This value can be modified by means of the following “self-learning” procedure.

01. If the relay is active, deactivate with the relative command;
02. set dip switch 1 to **ON (fig. 3-L)** to program Timer 1 or dip switch 2 (**fig. 3-M**) for Timer 2: the led next to the dip switch illuminates to indicate activation of the programming phase;

03. according to the selected timer, activate the required relay by means of the relative key: **the time count is then started immediately**;
04. when the required time has elapsed, press the key again to deactivate the relay. The time elapsed has been memorised and will be applied as the new timer value;
05. return the dip switch to **OFF**: the led next to the dip switch turns off and the receiver returns to normal operating status.

5.4 - DELETING THE MEMORY

• Total memory deletion

To delete the entire memory of the receiver, or alternatively only the memorised transmitters, proceed as follows:

01. Press and hold the receiver key and check the sequence of the **green** Led status:
 after approx. 4 seconds, the led illuminates
 after approx. 4 seconds, the led turns off
 after approx. 4 seconds, **the led starts flashing...**
02. Then:
- to delete all memorised transmitters, release the receiver key **on precisely the third flash** of the led;
 - to delete the entire memory (including transmitter configurations and encoding family) release the key **on precisely the fifth flash** of the led.

This function can be performed also using the programming unit Obox or Oview.

• Deleting a single transmitter from the memory

To delete a single transmitter from the receiver memory, proceed as follows:

01. Press and hold the receiver key
02. After the **green** led illuminates, on the transmitter to be deleted from the memory, press and hold a key (*) until the led on the receiver emits 5 quick **green** flashes (=deletion confirmed). Then release the two keys.

(*) **Note** – If the transmitter is memorised in “Mode I” press any key; if the transmitter is memorised in “Mode II” the entire procedure must be repeated for each memorised key to be deleted.

This function can be performed also using the programming unit Obox or Oview.

6 – ADVANCED PROGRAMMING

WARNING – Some settings described in this chapter may only be possible if the receiver is combined with other devices in the NiceOpera System; they also require use of the programming unit Obox or Oview.

The receiver has other functions not described in this manual that enable an increase in performance, security level and ease of automation use. For further information on the functions available, refer to the general manual “NiceOpera System Book” or the instruction manual of Obox or Oview.

• SETTING THE PASSWORD ON THE RECEIVER

[with Obox (OX4T ONLY) and Oview]

This function protects all programmed functions on the receiver and also deactivates the key and led function. The function is enabled by entering a **password** in the receiver, as selected by the installer (maximum 10 digits).

When the function is active, the password must be entered before programming or performing maintenance on the receiver.

• ENABLING (or disabling) THE RECEIVER FOR TRANSMITTER MEMORISATION

[with Obox (OX4T ONLY)]

This function is used to enable/disable the option on the receiver for memorisation of a transmitter by means of the procedure “in the vicinity of the receiver” (chapter 5, paragraph 5.2) and/or by means of the “enable code” procedure present on transmitters in the NiceOne series.

This function is useful to prevent events such as the accidental

memorisation of transmitters not belonging to the system. To enable/disable this function, proceed as follows:

01. Press and hold P1 to power up the receiver and wait for Led L1 to emit first the signals as specified in chapter 5.1; then ensure that it emits 2 quick **orange** flashes (= procedure activated) and lastly that it indicates the colour corresponding to the current enable status. Then release the key.
02. Within 5 seconds, repeatedly press the receiver key to select one of the following functions:
 - Led OFF = No lock enabled
 - Led GREEN = Memorisation “in the vicinity” locked
 - Led RED = Memorisation with “enable code” locked
 - Led ORANGE = Both memorisation modes locked (“in the vicinity” and with “enable code”)
03. Within 5 seconds, press any key of a transmitter already memorised on the receiver to save the selected function.

• **ENABLING (or disabling) THE RECEIVER FOR MEMORISATION OF A TRANSMITTER USING THE RECEIVER “CERTIFICATE NUMBER”**

[with Obox (OX4T ONLY)]

This function is used to enable/disable the option on the receiver for memorising a transmitter by means of the receiver certificate number.

For further information on the use of the certificate, refer to the instruction manual of the transmitter and the NiceOpera System Book.

• **ENABLING (or disabling) UPDATES TO THE TRANSMITTER PRIORITY STATUS**

[with Obox (OX4T ONLY)]

This function is used to enable/disable the option on the receiver for updating the priority level of the previously memorised transmitter in the NiceOne series to a higher level. This function is enabled by default. For further information on managing priority, refer to the instruction manual of Obox and the NiceOpera System Book.

• **ENABLING (or disabling) RECEPTION OF NON-ORIGINAL TRANSMITTER “IDENTITY CODES”**

[with Obox (OX4T ONLY)]

This function is used to enable/disable the option on the receiver to accept the command received from a transmitter with an identity code that has been modified with respect to the original factory setting. This function is enabled by default. For further information on modifying transmitter identity codes, refer to the instruction manual of Obox.

• **ENABLING (or disabling) MANAGEMENT OF ROLLING CODE (RND)**

[with Obox (OX4T ONLY) and Oview]

This function is used to enable/disable the receiver for management of the variable section (rolling code) of an identity code sent by a transmitter. When this function is active, the receiver treats a “rolling code” as if it were a “fixed” code, ignoring the variable section. This function is disabled by default.

• ENABLING (or disabling) THE “REPEATER” FUNCTION

[with Obox (OX4T ONLY)]

This function is used to enable/disable the option on the receiver for repetition via radio of the command receiver, routing it to a second receiver. Using two receivers, one of which with the “Repeater” function enabled, an automation can be controlled from a greater distance to that normally covered by a normal receiver-transmitter system.

This function is only available if receivers are associated with transmitters using the “**O-code**” encoding system.

This function is disabled by default. To obtain this function, it must be enabled on both the “repeater” receiver and the required transmitters.

• ENABLING (or disabling) MANAGEMENT OF TRANSMITTER KEY RELEASE

[with Obox (OX4T ONLY)]

This function is used to enable/disable the option on the receiver synchronise the release of a key on a transmitter with “**O-Code**” encoding and the response of an automation to this action. Normally, when a command is sent, the manoeuvre is not stopped immediately on release of the key but after a very brief interval (pre-set). Activation of this function enables instant response of the automation on release of the key. This function is disabled by default.

• ENABLING (or disabling) COMMAND DELIVERY ON THE “T4 BUS” NETWORK

[with Oview]

This function is used to enable/disable the option on the receiver for receiving and/or sending radio codes via the BusT4 cable. On systems using this type of connection, if the automation needs to be controlled at a distance greater than that normally covered by the receiver-transmitter system, this function can be enabled on receivers (at least 2) to increase the radio transmission range; in this case the first receiver receives the command “via radio” and re-transmits it via the Bus cable to the destination receiver (which has memorised the code of the transmitter that has sent the command). This function is disabled by default.

• EXECUTING A COMMAND SENT FROM TRANSMITTERS IN THE SAME FAMILY

[with Obox (OX4T ONLY)]

To program transmitters with Obox, each transmitter can be inserted in one or more “families” (up to 4 groups).

When the receiver receives a command, it first checks to which the transmitter it belongs; if its family is enabled at that time, the receiver controls the outputs otherwise the command is blocked and indicated by means of an **orange** flash of the led.

The family groups are formed using Obox, while use of the groups is managed by other devices such as Oview. In particular, this can enable/disable operation of group of transmitters within specific set time bands.

DISPOSAL OF THE PRODUCT

This product constitutes an integral part of the automation system, therefore it must be disposed of along with it.

As in installation, also at the end of product lifetime, the disassembly and scrapping operations must be performed by qualified personnel.

This product is made up of different types of material, some of which can be recycled while others must be disposed of. Seek information on the recycling and disposal systems envisaged by the local regulations in your area for this product category.

Caution! – some parts of the product may contain pollutant or hazardous substances which, if disposed of into the environment, may cause serious damage to the environment or physical health.

As indicated by the symbol on the left, disposal of this product in domestic waste is strictly prohibited. Separate the waste into categories for disposal, according to the methods envisaged by current legislation in your area, or return the product to the retailer when purchasing a new version.



Caution! – Local legislation may envisage serious fines in the event of abusive disposal of this product.

Table B**SIGNALS EMITTED BY THE RECEIVER LED****— Long flashes / GREEN —****On start-up:**

- 1 * = Code in use: "Flo"
- 2 * = Code in use: "O-Code"/"FloR"/"TTS"
- 3 * = Code in use: "Smilo"
- 5 * = No remote control memorised

During operation:

- 1 * = Indicates that the code received is not stored in the memory
- 1 * = During programming, indicates that the code is already stored in the memory
- 3 * = Saving code in memory
- 5 * = Memory deleted
- 6 * = During programming, indicates that the code is not authorised for memorisation
- 8 * = Memory full

— Short flashes / GREEN —

- 1 * = "Certificate" not valid for memorisation
- 2 * = Code cannot be memorised as is transmitting "certificate"
- 3 * = During programming, indicates that the code has

been re-synchronised

- 4 * = Output in "Mode II" not managed on control unit
- 5 * = During deletion procedure, indicates that the code has been deleted
- 5 * = "Certificate" with higher priority than the admissible value
- 6 * = Code synchronisation failure
- 6 * = Code cannot be memorised due to "incorrect key"

— Long flashes / RED —

- 1 * = Non-original code block
- 2 * = Code with lower priority than the authorised value

— Short flashes / RED —

- 1 * = "In vicinity" programming mode block
- 1 * = Memorisation by means of "certificate" block
- 2 * = Memory block (PIN entry)

— Long flashes / ORANGE —

- 1 * = Indicates that the code is in the memory but outside the group currently enabled

— Short flashes / ORANGE —

- 2 * = Indicates activation of block programming (on start-up)

TECHNICAL SPECIFICATIONS OF THE PRODUCT

• Power supply:	110 ÷ 240 Vac 50/60 Hz
• Maximum absorbed current:	80 mA
• Encoding:	O-Code / TTS / FloR (rolling code); or Smilo (rolling code) or Flo.
• Frequency:	433.92 MHz
• Antenna impedance:	52 ohm
• Sensitivity:	more than 0,5µV for successful signal
• Range:	estimated at 200 m if in open space or 35 m inside buildings
• Radiated power (OX4T ONLY):	+2dBm
• Capacity of transmitter memory:	1024 (maximum)
• Outputs:	4 relays with NO and NC contacts, voltage-free
• Contact capacity:	5A - 250V
• Maximum BusT4 current:	200 mA
• Timer times:	programmable from 2 seconds to 540 minutes
• Protection rating:	IP44 (with container intact)
• Operating temperature:	-20 ÷ 55 °C
• Dimensions / weight:	128 x 112 x 43 mm / 260 g

Notes on product technical specifications:

- The operating distance between transmitters and receivers (range) is strongly influenced by other devices working in the area and at the same frequency (for example: alarm systems, radio earphones etc.). In these cases, Nice cannot provide any guarantee as regards the effective capacity of its devices.
- All technical specifications stated herein refer to an ambient temperature of 20° C (± 5° C).
- Nice reserves the right to apply modifications to the product at any time when deemed necessary, maintaining the same intended use and functionality.

EC DECLARATION OF CONFORMITY

Declaration in compliance with Directive 1999/5/EC

Note – This Declaration of Conformity covers the contents of the single declarations of the individual products specified herein; it is updated to the date of publication of this manual and has been re-edited for editorial purposes. A copy of the original declaration for each product can be requested from Nice S.p.a. (prov. of Treviso – Italy)

Declaration number: 283/OX4

Revision: 2

Language: EN

The undersigned, Luigi Paro, in his role of Managing Director, hereby declares, under his sole responsibility, that the product:

Manufacturer's name: NICE s.p.a.

Address: Via Pezza Alta 13, Z.I. Rustignè, 31046 Oderzo (TV) Italy

Type: Receiver-transmitter 433,92MHz for remote control of doors, gates, shutters, awnings, roller shutters, lights and similar applications

Models: OX4, OX4T

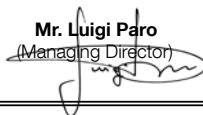
Accessories:

Conform with the requirements of the EC directive:

- DIRECTIVE 1999/5/EC OF THE EUROPEAN PARLIAMENT AND OF THE COUNCIL of 9 March 1999 on radio equipment and telecommunications terminal equipment and the mutual recognition of their conformity, in accordance with the following harmonised standards:
 - Health and safety (art. 3(1)(a)): EN 50371:2002
 - Electrical safety (art. 3(1)(a)): EN 60950-1:2006 + A11:2009
 - Electromagnetic compatibility (art. 3(1)(b)): EN 301 489-1 V1.8.1:2008, EN 301 489-3 V1.4.1:2002
 - Radio spectrum (art. 3(2)): EN 300 220-2 V2.3.1:2010

Oderzo, 31 May 2012

Mr. Luigi Paro
(Managing Director)



AVVERTENZE

OPERARE IN CONDIZIONI DI SICUREZZA!

ATTENZIONE! – Per la sicurezza delle persone è importante rispettare queste istruzioni.

ATTENZIONE! – Istruzioni importanti per la sicurezza: quindi, conservare queste istruzioni.

ATTENZIONE! – Tutte le operazioni di installazione, di collegamento, di programmazione e di manutenzione del prodotto devono essere effettuate esclusivamente da un tecnico qualificato e competente!

Rispettare le seguenti avvertenze:

- non eseguire modifiche su nessuna parte del prodotto, se non quelle previste nel presente manuale. Operazioni non autorizzate possono essere fonte di pericolo e causa di malfunzionamento. Il costruttore declina ogni responsabilità per danni derivanti da prodotti modificati arbitrariamente.
- Per la pulizia superficiale del prodotto, utilizzare un panno morbido e leggermente umido (non bagnato!). **Importante** – Non utilizzare liquidi contenenti alcool, benzene, diluenti o altre sostanze infiammabili. L'uso di tali sostanze potrebbe

danneggiare il prodotto.

- Conservare con cura questo manuale per facilitare eventuali interventi futuri di programmazione o di manutenzione del prodotto.
- Smaltire il materiale dell'imballaggio del prodotto nel pieno rispetto della normativa in vigore sul territorio.

1 – DESCRIZIONE DEL PRODOTTO E DESTINAZIONE D'USO

Il ricevitore **OX4 / OX4T** fa parte del Sistema NiceOpera di Nice. È destinato ad essere utilizzato negli impianti di automazione per cancelli, portoni da garage, alzabARRIERE stradali, tende da sole, tapparelle, lucernari e per il comando di luci e circuiti elettrici in generale.

Ogni altro uso è da considerarsi improprio e vietato! Il costruttore non risponde dei danni risultanti da un uso improprio del prodotto, diverso da quanto previsto nel presente manuale.

2 – CARATTERISTICHE DEL PRODOTTO

- Possiede 4 relè con contatto elettrico normalmente aperto (NA) e normalmente chiuso (NC), adatti ad essere utilizzati su circuiti elettrici di potenza.
- Possiede 3 dip-switch: 2 per la programmazione dei Timer e 1 per usi futuri.
- Dispone di 14 funzioni associabili ai relè di uscita.
- Possiede una memoria capace di contenere fino a 1024 trasmettitori.
- È compatibile con le codifiche radio **“O-Code” / “FloR” / “TTS”**, oppure **“Smilo”**, oppure **“Flo”**.
(SOLO PER OX4T) – Integra un trasmettitore che permette

di ritrasmettere il comando ricevuto verso un secondo ricevitore (funzione "Repeater"), ampliando così il raggio d'azione del sistema ricetrasmittente.

(SOLO PER OX4T) – Può essere collegato via radio all'unità di programmazione Obox tramite il trasmettitore integrato, o via cavo all'unità di programmazione Oview. Questi dispositivi facilitano la programmazione, la gestione dei codici memorizzati, le operazioni di diagnostica e altre operazioni.

(SOLO PER OX4T) – Possiede un numero d'identificazione personale chiamato "**Certificato**", riportato nel tagliando sigillato presente nella confezione. Il certificato permette di accedere a molte operazioni come, ad esempio, la memorizzazione di nuovi trasmettitori senza la necessità di intervenire direttamente sul ricevitore. **Attenzione!** – Si consiglia di custodire il certificato in un posto sicuro perché può essere utilizzato da estranei per accedere in modo "wireless" (collegamento senza cavo) ai dati contenuti nel ricevitore, a meno che non si programmino in questo ulteriori protezioni come le password di sicurezza.

Che cos'è "NiceOpera"

Nice Opera è un sistema formato da vari dispositivi impiegati solitamente negli impianti per l'automatizzazione di cancelli, portoni da garage e barriere stradali mobili, in grado di dialogare tra loro e di scambiarsi i dati via radio, attraverso la codifica "O-Code", e via cavo attraverso il protocollo "BusT4", con piena integrazione dei due sistemi tra loro.

I dispositivi che fanno parte di "NiceOpera" sono:

- **i trasmettitori della serie NiceOne;**
- **i ricevitori della serie NiceOne;**
- **i motoriduttori con centrale di comando di tipo "BusT4".**

A questi dispositivi se ne aggiungono altri di tipo software e hardware che sono complementari ai primi e sono:

- **l'unità di programmazione Obox, con software dedicato, per i trasmettitori e i ricevitori;**
- **l'unità di programmazione Oview per le centrali di comando e i ricevitori. Con l'O-**

view può essere usato anche:

- un modulo Bluetooth® e un software dedicato, per la comunicazione dei dati tra l'Oview e un Personal computer o un Palmare;
- un modulo Gsm® e un software dedicato, per la comunicazione dei dati via Internet tra l'Oview e un Personal computer o un Palmare.

Con il modulo Gsm® è possibile usare anche uno smartphone e un comune telefono cellulare: con questi si può inviare un comando all'automazione tramite una chiamata o un Sms; in più, con lo smartphone dotato di sistema operativo Windows® Mobile, è possibile utilizzare anche il software "Oview software suite".

3 – INSTALLAZIONE DEL PRODOTTO

01. Togliere il coperchio superiore del ricevitore (fig. 1).
02. Praticare sul contenitore, in corrispondenza dei segni predisposti, i fori necessari al passaggio dei cavi e quelli per il fissaggio del ricevitore sulla parete. **Attenzione!** – **Prendere le opportune precauzioni per garantire il grado di protezione IP richiesto dal tipo di installazione. In particolare, prevedere dei pressacavi (non forniti) per garantire la protezione dei cavi di alimentazione e comando da possibili trazioni o torsioni.**
03. Fissare sulla parete il contenitore del ricevitore (fig. 2). **Attenzione!** – **Il ricevitore deve essere orientato in modo che i cavi entrino nel contenitore solo ed esclusivamente dal basso.**

4 – COLLEGAMENTI ELETTRICI

La fig. 3 mostra i morsetti e le prese da utilizzare per i collegamenti:

- (A) per il collegamento dell'alimentazione elettrica;
- (B) per il collegamento dell'antenna;
- (C e D) per il collegamento dei contatti dei 4 relè;
- (E) per il collegamento dell'Obox;
- (F) per il collegamento dell'Oview e del cavo "BusT4".

Ogni relè è provvisto di 1 comune (C), 1 contatto a riposo normalmente aperto (NA) e 1 contatto a riposo normalmente chiuso (NC): questi sono tutti contatti puliti.

I contatti dei 4 relè sono in doppio isolamento rispetto al resto del circuito del ricevitore, così come tra la coppia di relè 1 e 2 e la coppia dei relè 3 e 4.

Il doppio isolamento consente l'uso promiscuo dei contatti in

circuiti a bassissima tensione oppure a tensione di rete, con le seguenti possibilità:

- utilizzo di **tutti** i contatti in circuiti elettrici a tensione di rete;
- utilizzo di **tutti** i contatti in circuiti elettrici a bassissima tensione;
- utilizzo dei relè **1 e 2** (oppure **3 e 4**) in circuiti elettrici a tensione di rete e dei relè **3 e 4** (oppure **1 e 2**) in circuiti elettrici a bassissima tensione.

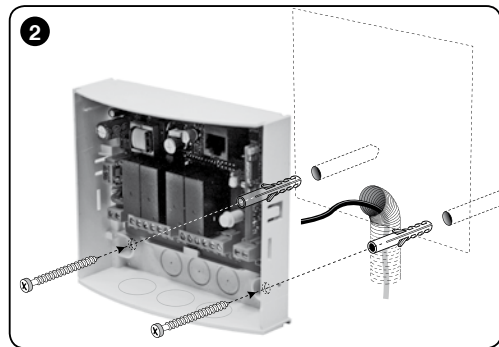
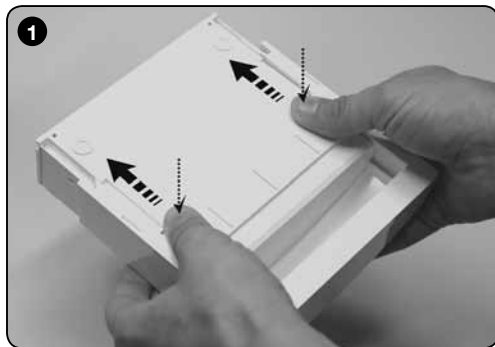
Schemi per il collegamento dei relè

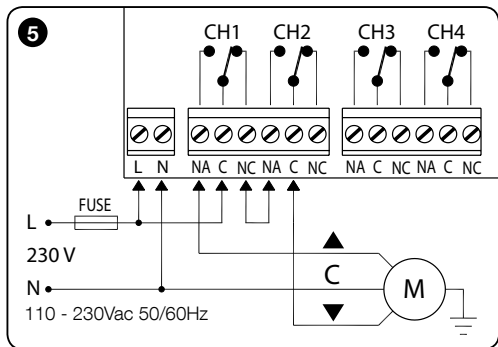
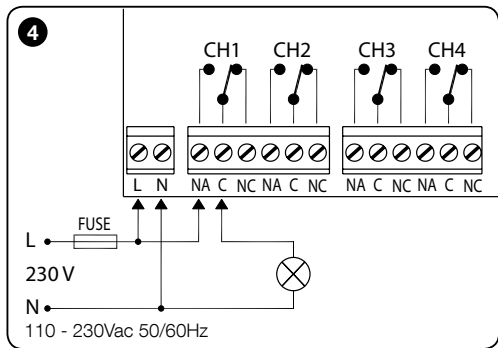
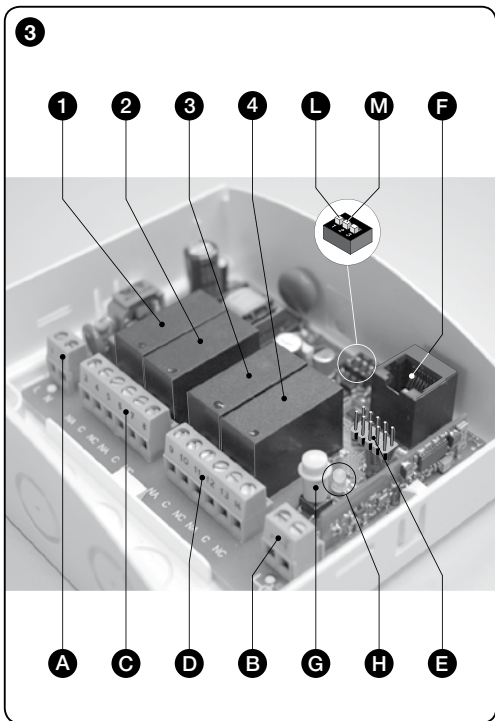
La **fig. 4** riporta lo schema di collegamento dei relè a un circuito elettrico generico (un motore, una lampada ecc.) alimentato a tensione di rete.

La **fig. 5** riporta lo schema di collegamento dei relè a un motore con due sensi di marcia (tende, tapparelle veneziane ecc.).

Avvertenze per il collegamento dell'antenna

- Nel collegare l'antenna in dotazione, lasciare il filo nella lunghezza fornita e posizionarlo in modo rettilineo, evitando curvature eccessive.
- Se il ricevitore viene a trovarsi in posizione sfavorevole e il segnale radio risulta debole, per migliorare la ricezione è consigliabile sostituire l'antenna in dotazione con un'antenna esterna (mod. ABF o ABFKIT). La nuova antenna deve essere posizionata più in alto possibile e al di sopra di eventuali strutture metalliche o di cemento armato presenti nella zona.





5 – PROGRAMMAZIONE

Avvertenze:

Alcune delle funzioni di programmazione presenti in questo capitolo utilizzano il tasto **P1** e il Led **L1** (fig. 3-G/H) del ricevitore.

Durante le programmazioni il Led emette un determinato numero di lampeggi, con una durata e un colore specifico della luce (verde, rosso o arancione), per indicare lo stato delle operazioni in corso. Per conoscere il significato di queste segnalazioni consultare la **Tabella B**, presente alla fine del manuale.

Altre funzioni possono essere programmate esclusivamente con i dispositivi Obox o Oview appartenenti al Sistema Nice-Opera.

5.1 - MEMORIZZAZIONE DEI TRASMETTITORI

Il ricevitore può memorizzare fino a 1024 trasmettitori. È compatibile con le codifiche radio “**O-Code**” / “**FloR**” / “**TTS**”, oppure “**Smilo**”, oppure “**Flo**”.

Attenzione! – questi tre gruppi di codifiche non sono compatibili tra loro; pertanto il primo trasmettitore memorizzato nel ricevitore definisce anche la codifica alla quale devono appartenere i successivi trasmettitori.

Per verificare se nel ricevitore sono già memorizzati dei trasmettitori e il loro tipo di codifica, togliere l'alimentazione al ricevitore, ridare l'alimentazione e contare il numero dei lampeggi di colore **verde**, emessi dal Led L1:

1 lampeggio = codifica **Flo**

2 lampeggi = codifica **O-Code / FloR / TTS**

3 lampeggi = codifica **Smilo**

5 lampeggi = nessun trasmettitore memorizzato

I trasmettitori possono essere memorizzati utilizzando una delle seguenti procedure:

• **Procedura Modo I:** programma **tutti i tasti**(*) del trasmettitore in un sola volta, abbinando ogni tasto a un relè, con il seguente schema: tasto **1** = relè **1** / tasto **2** = relè **2** / tasto **3** = relè **3** / tasto **4** = relè **4**.

Il “Modo I” programma ogni tasto per operare a “uomo presente” sul rispettivo relè.

(*) **Nota** – Se il trasmettitore ha più codici, – come ad esempio i modelli ON9, WM009C ecc. che hanno la tastiera suddivisa in gruppi di tasti e ogni gruppo ha un proprio codice, come se si trattasse di trasmettitori diversi, – l'esecuzione della procedura “Modo I” memorizza solo i tasti appartenenti a un gruppo; per memorizzare un altro gruppo, ripetere la procedura.

• **Procedura Modo II:** programma **un singolo tasto** del trasmettitore abbinandolo a una funzione desiderata, tra quelle presenti nella **Tabella A**.

Memorizzazione di un trasmettitore in “Modo I”

- 01.** Sul ricevitore, mantenere premuto il tasto **P1** fino a quando si accende il Led verde **L1** (dopo circa 4 secondi) e rilasciare il tasto;
- 02.** entro 10 secondi, mantenere premuto un qualsiasi tasto del trasmettitore da memorizzare, fino a quando il Led verde L1 del ricevitore emette il primo dei 3 lampeggi che segnalano l'avvenuta memorizzazione.

Al termine di questi lampeggi, se si desidera memorizzare un altro trasmettitore in “Modo I”, premere entro 10 secondi un tasto qualsiasi di questo nuovo trasmettitore.

Memorizzazione di un trasmettitore in “Modo II”

01. Scegliere nella **Tabella A** la funzione che si desidera programmare (es. “Funzione 8”);
02. Sul ricevitore, premere il tasto **P1** un numero di volte pari al numero che identifica la Funzione prescelta (nel nostro esempio, 8 volte). Al termine, il Led verde **L1** emette un numero di lampeggi brevi, uguali al numero di pressioni esercitate sul tasto (nel nostro esempio, 8 lampeggi brevi);
03. entro 10 secondi, mantenere premuto sul trasmettitore il tasto che si desidera memorizzare, fino a quando il Led verde L1 del ricevitore emette il primo dei 3 lampeggi lunghi, che segnalano l'avvenuta memorizzazione.

Al termine di questi lampeggi, se si desidera memorizzare con la stessa funzione un nuovo tasto (anche di un altro trasmettitore), premere entro 10 secondi questo nuovo tasto.

Tabella A – Funzioni associabili a un tasto del trasmettitore

Funzione 1: attiva il **relè 1** in modalità uomo presente;

Funzione 2: attiva il **relè 2** in modalità uomo presente;

Funzione 3: attiva il **relè 3** in modalità uomo presente;

Funzione 4: attiva il **relè 4** in modalità uomo presente;

Funzione 5: attiva il **relè 1** in modalità On/Off;

Funzione 6: attiva il **relè 2** in modalità On/Off;

Funzione 7: attiva il **relè 3** in modalità On/Off;

Funzione 8: attiva il **relè 4** in modalità On/Off;

Funzione 9 (nota 1): attiva il **relè 1 e 2** per comandare motori nei due sensi (tapparelle o tende da sole)

Funzione 10 (nota 1): attiva il **relè 3 e 4** per comandare motori nei due sensi (tapparelle o tende da sole)

Funzione 11 (nota 2): attiva il **relè 1** per il tempo programmato nel “Timer 1”

Funzione 12 (nota 2): attiva il **relè 3** per il tempo programmato nel “Timer 2”

Funzione 13 (nota 1): attiva il **relè 1 e 2** per comandare motori nei due sensi (tende alla veneziana)

Funzione 14 (nota 1): attiva il **relè 3 e 4** per comandare motori nei due sensi (tende alla veneziana)

Nota 1 (Funzioni 9, 10, 13, 14)

Per memorizzare questa funzione, premere un tasto qualsiasi del trasmettitore. In questo modo il ricevitore memorizza contemporaneamente i tasti 1, 2, 3, (4) del trasmettitore, configurandoli con i seguenti comandi: Tasto **1** = **SALITA** / Tasto **2** = **STOP** / Tasto **3** = **DISCESA** / (Tasto **4** = **STOP**).

Per comandare un motore nei due sensi di marcia, occorre collegare i relè come mostrato in **fig. 5**.

- **Per la Funzione 9 e 10:** utilizzando il ricevitore, ad ogni invio del comando si attivano i relè per il tempo programmato nel timer: Timer 1 per i relè 1 e 2; Timer 2 per i relè 3 e 4 (per programmare i timer, vedere il capitolo 5.3).
- **Per la Funzione 13 e 14:** utilizzando il ricevitore, ad ogni invio del comando i relè rimangono attivi fino a quando il tasto resta premuto a uomo presente. Se però il comando dura più di 3 secondi, i relè restano attivi per il tempo pro-

grammato nel timer: Timer 1 per i relè 1 e 2; Timer 2 per i relè 3 e 4 (per programmare i timer, vedere il capitolo 5.3).

Nota 2 (Funzioni 11, 12)

Utilizzando il ricevitore, ad ogni invio del comando si attiva il relè per il tempo programmato nel timer corrispondente (per programmare i timer, vedere il capitolo 5.3). Prima dell'esaurimento del tempo, per far ripartire il timer basta dare un nuovo comando. Se invece si desidera interrompere il timer prima della scadenza del tempo, dare un nuovo comando premendo il tasto per almeno 3 secondi.

Durante l'uso del ricevitore, se un relè riceve più comandi consecutivamente – ad esempio, da due tasti memorizzati sullo stesso relè ma con funzioni diverse, – il ricevitore esegue l'ultimo comando inviato in ordine di tempo.

5.2 - MEMORIZZAZIONE DI UN NUOVO TRASMETTITORE USANDO LA PROCEDURA 'IN VICINANZA DEL RICEVITORE'

[è necessario disporre di un trasmettitore già memorizzato]

È possibile memorizzare un NUOVO trasmettitore nella memoria del ricevitore, senza agire direttamente sul tasto di quest'ultimo ma operando semplicemente nel suo raggio di ricezione. Per attuare la procedura è necessario avere a disposizione un VECCHIO trasmettitore, già memorizzato (in "Modo I" o in "Modo II") e funzionante. La procedura consentirà al NUOVO trasmettitore di memorizzarsi con le stesse impostazioni di quello VECCHIO. **Nota** – Se si utilizzano i trasmettitori NiceOne, in alternativa a questa procedura, può essere utilizzata la memorizzazione tramite il "Codice di abilitazione" (fare riferimento al manuale istruzioni dei trasmettitori).

Avvertenze alla procedura

- **La procedura deve essere eseguita operando nel raggio di ricezione del ricevitore (10-20 m dal ricevitore).**
- **Se il trasmettitore VECCHIO è memorizzato in "Modo I", durante la procedura premere, sia sul trasmettitore Vecchio sia su quello Nuovo, un tasto qualsiasi; se invece il trasmettitore VECCHIO è memorizzato in "Modo II", durante la procedura premere sul trasmettitore Vecchio il tasto con il comando desiderato e sul trasmettitore Nuovo il tasto che si desidera memorizzare con quel comando.**
- **Le procedure sono due: sceglierne una in base alle proprie preferenze.**

Procedura standard

01. Sul NUOVO trasmettitore, mantenere premuto per almeno 5 secondi il tasto... e poi rilasciarlo.
02. Sul VECCHIO trasmettitore, premere 3 volte il tasto... e poi rilasciarlo.
03. Sul NUOVO trasmettitore, premere 1 volta lo stesso tasto premuto al punto 01 e poi rilasciarlo.

Procedura alternativa

01. Sul NUOVO trasmettitore, mantenere premuto per almeno 3 secondi il tasto... e poi rilasciarlo.
02. Sul VECCHIO trasmettitore, mantenere premuto per almeno 3 secondi il tasto... e poi rilasciarlo.
03. Sul NUOVO trasmettitore, mantenere premuto per almeno 3 secondi lo stesso tasto premuto al punto 01 e poi rilasciarlo.
04. Sul VECCHIO trasmettitore, mantenere premuto per almeno 3 secondi lo stesso tasto premuto al punto 02.

5.3 - PROGRAMMAZIONE DI UN TIMER

Il "Timer 1" e il "Timer 2" rappresentano il tempo in cui i relè restano attivi:

- **Timer 1** destinato al relè 1. Questo timer corrisponde al tempo di lavoro dei relè 1 e 2, nel caso in cui questi vengano programmati con la Funzione 9, 11 o 13.
- **Timer 2** destinato al relè 3. Questo timer corrisponde al tempo di lavoro dei relè 3 e 4, nel caso in cui questi vengano programmati con la Funzione 10, 12 o 14.

In fabbrica il valore impostato per i due Timer è 120 secondi. Questo valore può essere modificato tramite la seguente pro-

cedura di "autoapprendimento":

01. Se il relè è attivo, disattivarlo con un comando opportuno;
02. spostare su **ON** il dip switch 1 (**fig. 3-L**) per programmare il Timer 1 oppure il dip switch 2 (**fig. 3-M**) per il Timer 2: si accende il Led accanto al dip switch che indica l'attivazione della fase di programmazione;
03. secondo il timer prescelto, attivare il relè desiderato premendo il relativo tasto: **da questo preciso istante inizia il conteggio del tempo;**
04. Trascorso il tempo desiderato, premere di nuovo il tasto per disattivare il relè: il tempo appena trascorso è stato memorizzato e sarà il nuovo valore del timer;
05. Riportare su **OFF** il dip switch che è stato utilizzato: il Led accanto al dip switch si spegne e il ricevitore torna al funzionamento normale.

5.4 - CANCELLAZIONE DELLA MEMORIA

• Cancellazione totale della Memoria

Per cancellare tutta la memoria del ricevitore o, in alternativa, soltanto i trasmettitori memorizzati, procedere nel modo seguente:

01. Mantenere premuto a lungo il tasto del ricevitore e osservare la sequenza degli stati che assume il Led **verde**:
dopo circa 4 secondi, si accende...
dopo circa 4 secondi, si spegne...
dopo circa 4 secondi, **inizia a lampeggiare...**
02. A questo punto:
 - per cancellare i trasmettitori memorizzati, rilasciare il tasto del ricevitore **esattamente durante il 3° lampeggio** del Led;
 - per cancellare memoria, rilasciare (comprese le configurazioni e la famiglia di codifica dei trasmettitori), rila-

sciare il tasto **esattamente durante il 5° lampeggio** del Led.

Questa funzione può essere eseguita anche con l'unità di programmazione Obox o Oview.

• **Cancellazione di un singolo trasmettitore dalla Memoria**

Per cancellare dalla memoria del ricevitore un singolo trasmettitore, procedere nel modo seguente:

01. Mantenere premuto a lungo il tasto del ricevitore...
02. dopo che si è acceso il Led **verde**, sul trasmettitore che si desidera cancellare dalla memoria mantenere premuto un tasto(*) fino a quando il Led del ricevitore emette 5 lampeggi veloci di color **verde** (= cancellazione avvenuta). A questo punto rilasciare i due tasti.

(*) **Nota** – Se il trasmettitore è memorizzato in “Modo I”, premere un tasto qualsiasi; se invece è memorizzato in “Modo II”, premere il tasto memorizzato; se vi fossero più tasti memorizzati, ripetere la procedura per ognuno di loro.

Questa funzione può essere eseguita anche con l'unità di programmazione Obox o Oview.

6 – PROGRAMMAZIONE AVANZATA

AVVERTENZA – Alcune programmazioni descritte in questo capitolo, possono essere eseguite solo se il ricevitore è abbinato a dispositivi appartenenti al Sistema NiceOpera; inoltre richiedono l'utilizzo delle unità di programmazione Obox o Oview.

Il ricevitore possiede altre funzioni non descritte in questo manuale che permettono di aumentare le prestazioni, il livello di sicurezza e la facilità d'utilizzo dell'automazione. Per ulteriori informazioni sulle funzioni disponibili consultare il manuale generale del sistema “NiceOpera System Book” oppure il manuale d'istruzioni dell'Obox o dell'Oview.

• **METTERE LA PASSWORD NEL RICEVITORE**

[con Obox (SOLO PER OX4T) e Oview]

Questa funzione protegge tutte le funzioni programmate nel ricevitore e disattiva anche la funzionalità del tasto e del Led. La funzione si abilita inserendo nel ricevitore una **password** stabilita dall'installatore (numero di massimo 10 cifre). Quando la funzione è attiva, per poter effettuare la programmazione o la manutenzione del ricevitore occorre inserire la password all'inizio per sbloccare il ricevitore.

• **ABILITARE (o disabilitare) IL RICEVITORE ALLA MEMORIZZAZIONE DI UN TRASMETTITORE**

[con Obox (SOLO PER OX4T)]

Questa funzione permette di abilitare (o disabilitare) nel ricevitore la possibilità di memorizzare un trasmettitore tramite la procedura 'in vicinanza del ricevitore' (capitolo 5, paragrafo 5.2) e/o tramite la procedura con il 'codice di abilitazione' presente nei trasmettitori della serie NiceOne.

La funzione è utile per impedire, ad esempio, la memorizzazione accidentale di trasmettitori estranei all'impianto. Per abilitarla o disabilitarla, procedere nel modo seguente:

01. Dare alimentazione al ricevitore tenendo premuto il tasto P1 e attendere che il Led L1 effettui prima le segnalazioni riportate al capitolo 5.1; che esegua 2 lampeggi veloci di colore **arancione** (= procedura attivata) e che, infine, indichi con un colore lo stato di abilitazione in cui si trova. Quindi, rilasciare il tasto;
02. entro 5 secondi, premere ripetutamente il tasto del ricevitore per scegliere una delle seguenti funzioni:
 - Led SPENTO = Nessun blocco attivo
 - Led VERDE = Blocco della memorizzazione "in vicinanza"
 - Led ROSSO = Blocco della memorizzazione con "codice di abilitazione"
 - Led ARANCIONE = Blocco di entrambe le memorizzazioni ("in vicinanza" e con "codice di abilitazione");
03. selezionata la funzione, entro 5 secondi premere un tasto qualsiasi su un trasmettitore già memorizzato nel ricevitore, per salvare la funzione appena selezionata.

• **ABILITARE (o disabilitare) IL RICEVITORE ALLA MEMORIZZAZIONE DI NUOVI TRASMETTITORI TRAMITE IL "NUMERO DI CERTIFICATO" DEL RICEVITORE**

[con Obox (SOLO PER OX4T)]

Questa funzione permette di abilitare (o disabilitare) nel ricevitore la possibilità di memorizzare un trasmettitore tramite il numero di certificato del ricevitore.

Per ulteriori informazioni su come usare il certificato, consultare il manuale istruzioni del trasmettitore e il manuale NiceOpera System Book.

• **ABILITARE (o disabilitare) L'AGGIORNAMENTO DEL LIVELLO DI "PRIORITÀ" DEL TRASMETTITORE**

[con Obox (SOLO PER OX4T)]

Questa funzione permette di abilitare (o disabilitare) nel ricevitore la possibilità di aggiornare a un livello superiore la priorità di un trasmettitore già memorizzato, appartenente alla serie NiceOne. Di fabbrica, la funzione è abilitata. Per ulteriori informazioni su come gestire la priorità, consultare il manuale dell'Obox e il manuale NiceOpera System Book.

• **ABILITARE (o disabilitare) LA RICEZIONE DEI "CODICI DI IDENTITÀ" NON ORIGINALI DEI TRASMETTITORI**

[con Obox (SOLO PER OX4T)]

Questa funzione permette di abilitare (o disabilitare) nel ricevitore la possibilità di accettare il comando ricevuto da un trasmettitore con il codice d'identità modificato rispetto a quello originale impostato in fabbrica. Di fabbrica, la funzione è abi-

litata. Per ulteriori informazioni su come modificare i codici di identità dei trasmettitori, consultare il manuale dell'Obox.

• **ABILITARE (o disabilitare) LA GESTIONE DEL CODICE ROLLING CODE (RND)**

[con Obox (SOLO PER OX4T) e Oview]

Questa funzione permette di abilitare (o disabilitare) il ricevitore alla gestione della parte variabile (RND o rolling code) di un codice d'identità inviato da un trasmettitore. Quando la funzione è abilitata il ricevitore riconosce un codice di tipo "rolling code" come se fosse un codice di tipo "fisso", ignorandone la parte variabile. Di fabbrica, la funzione è disabilitata.

• **ABILITARE (o disabilitare) LA FUNZIONE "REPEATER"**

[con Obox (SOLO PER OX4T)]

Questa funzione permette di abilitare (o disabilitare) nel ricevitore la funzione di "ripetizione" via radio del comando ricevuto, indirizzandolo verso un secondo ricevitore destinatario. Utilizzando due ricevitori di cui uno con la funzione "Repeater" abilitata, è possibile comandare un'automazione da una distanza superiore a quella normalmente coperta dal normale sistema ricetrasmittente.

La funzione è disponibile soltanto se ai ricevitori vengono abbinati trasmettitori con codifica "**O-Code**".

Di fabbrica, la funzione è disabilitata. Per ottenere la funzione occorre abilitarla sia nel ricevitore "ripetitore", sia nei trasmettitori desiderati.

• **ABILITARE (o disabilitare) LA GESTIONE DEL RILASCIO DEI TASTI DEL TRASMETTITORE**

[con Obox (SOLO PER OX4T)]

Questa funzione permette di abilitare (o disabilitare) nel ricevitore il sincronismo tra il rilascio del tasto di un trasmettitore con codifica "**O-Code**" e la risposta dell'automatismo a questa azione. Normalmente, quando si invia un comando, al rilascio del tasto la manovra non si arresta subito ma dopo qualche istante (un tempo brevissimo, preimpostato). L'attivazione di questa funzione permette invece la risposta istantanea dell'automatismo al rilascio del tasto. Di fabbrica, la funzione è disabilitata.

• **ABILITARE (o disabilitare) L'INVIO DEI COMANDI SULLA RETE "BUS T4"**

[con Obox (SOLO PER OX4T)]

Questa funzione serve per abilitare (o disabilitare) nel ricevitore la possibilità di ricevere e/o inviare i codici radio attraverso il cavo "BusT4". Negli impianti che utilizzano questo tipo di collegamento, se c'è la necessità di comandare l'automazione da una distanza superiore a quella normalmente coperta dal sistema ricetrasmittente, si può abilitare questa funzione nei ricevitori (almeno 2) per aumentare il raggio della trasmissione radio; in questo caso il primo ricevitore riceve il comando "via radio" e lo ritrasmette attraverso il cavo Bus verso il ricevitore destinatario (quello in cui è memorizzato il codice del trasmettitore da cui è partito il comando). Di fabbrica la funzione è disabilitata.

- **ESECUZIONE DEL COMANDO INVIATO DA TRASMETTITORI CHE FANNO PARTE DI UN "GRUPPO DI APPARTENENZA"**

[con Obox (SOLO PER OX4T)]

Nel programmare i trasmettitori con l'Obox è possibile inserire ogni trasmettitore in uno o più "gruppi di appartenenza" (fino a 4 gruppi).

Quando il ricevitore riceve un comando controlla prima a quale gruppo è associato quel trasmettitore; se in quel momento il suo gruppo di appartenenza è abilitato, il ricevitore comanda le uscite altrimenti il comando viene bloccato e segnalato con un lampeggio **arancione** del Led.

La formazione dei gruppi viene fatta con l'Obox, mentre l'utilizzo dei gruppi è gestito da altri dispositivi come, ad esempio, l'Oview. In particolare, questo può abilitare (o disabilitare) il funzionamento di un gruppo di trasmettitori secondo determinate fasce orarie.

SMALTIMENTO DEL PRODOTTO

Questo prodotto è parte integrante dell'automazione, e dunque, deve essere smaltito insieme con essa.

Come per le operazioni d'installazione, anche al termine della vita di questo prodotto, le operazioni di smantellamento devono essere eseguite da personale qualificato.

Questo prodotto è costituito da vari tipi di materiali: alcuni possono essere riciclati, altri devono essere smaltiti. Informatevi sui sistemi di riciclaggio o smaltimento previsti dai regolamenti vigenti sul vostro territorio, per questa categoria di prodotto.

Attenzione! – alcune parti del prodotto possono contenere sostanze inquinanti o pericolose che, se disperse nell'ambiente, potrebbero provocare effetti dannosi sull'ambiente stesso e sulla salute umana.

Come indicato dal simbolo a lato, è vietato gettare questo prodotto nei rifiuti domestici. Eseguire quindi la "raccolta separata" per lo smaltimento, secondo i metodi previsti dai regolamenti vigenti sul vostro territorio, oppure riconsegnare il prodotto al venditore nel momento dell'acquisto di un nuovo prodotto equivalente.

Attenzione! – i regolamenti vigenti a livello locale possono prevedere pesanti sanzioni in caso di smaltimento abusivo di questo prodotto.



Tabella B

SEGNALAZIONI EMESSE DAL LED DEL RICEVITORE

— Lampeggi lunghi / colore VERDE —

All'accensione:

- 1 ✱ = Codifica in uso: "Flo"
- 2 ✱ = Codifica in uso: "O-Code"/ "FloR"/"TTS"
- 3 ✱ = Codifica in uso: "Smilo"
- 5 ✱ = Nessun telecomando memorizzato

Durante il funzionamento:

- 1 ✱ = Indica che il Codice ricevuto non è in memoria
- 1 ✱ = Durante la programmazione, indica che il Codice è già in memoria
- 3 ✱ = Salvataggio del Codice nella memoria
- 5 ✱ = Memoria cancellata
- 6 ✱ = Durante la programmazione, indica che il Codice non è autorizzato alla memorizzazione
- 8 ✱ = Memoria piena

— Lampeggi brevi / colore VERDE —

- 1 ✱ = "Certificato" non valido per la memorizzazione
- 2 ✱ = Codice non memorizzabile perché trasmette il "certificato"
- 3 ✱ = Durante la programmazione, indica che il Codice è stato ri-sincronizzato

- 4 ✱ = Uscita in "Modo II" non gestibile sulla Centrale
- 5 ✱ = Durante la procedura di cancellazione indica che il Codice è stato cancellato
- 5 ✱ = "Certificato" con priorità superiore a quella ammissibile
- 6 ✱ = Codice fuori sincronismo
- 6 ✱ = Codice non memorizzabile a causa di "chiave errata"

— Lampeggi lunghi / colore ROSSO —

- 1 ✱ = Blocco del Codice non originale
- 2 ✱ = Codice con priorità inferiore a quella autorizzata

— Lampeggi brevi / colore ROSSO —

- 1 ✱ = Blocco della programmazione "in vicinanza"
- 1 ✱ = Blocco della memorizzazione tramite "certificato"
- 2 ✱ = Blocco della Memoria (inserimento PIN)

— Lampeggi lunghi / colore ARANCIO —

- 1 ✱ = Segnala Codice in memoria ma fuori dal "gruppo" attualmente abilitato

— Lampeggi brevi / colore ARANCIO —

- 2 ✱ = Segnala attivazione programmazione blocchi (all'accensione)

CARATTERISTICHE TECNICHE DEL PRODOTTO

• Alimentazione:	110 ÷ 240 Vac 50/60 Hz
• Corrente massima assorbita:	80 mA
• Codifiche:	O-Code / TTS / FloR (rolling code); oppure Smilo (rolling code) oppure Flo.
• Frequenza:	433.92 MHz
• Impedenza antenna:	52 ohm
• Sensibilità:	migliore di 0,5µV per segnale a buon fine
• Portata:	stimata in 200 m se in spazio libero e 35 m se all'interno di edifici
• Potenza irradiata (solo per OX4T):	+2dBm
• N° trasmettitori memorizzabili:	1024 (massimo)
• Uscite:	4 relè con contatti NA ed NC, liberi da potenziale
• Capacità dei contatti:	5A - 250V
• Corrente massima BusT4:	200 mA
• Tempo dei timer:	programmabili da 2 secondi a 540 minuti
• Grado di protezione:	IP44 (a contenitore integro)
• Temperatura di funzionamento:	-20 ÷ 55 °C
• Dimensioni / peso:	128 x 112 x 43 mm / 260 g

Note alle Caratteristiche Tecniche del prodotto:

- La distanza operativa tra trasmettitori e ricevitori (portata) è fortemente influenzata da altri dispositivi che operano nella zona ed alla stessa frequenza (ad esempio: sistemi di allarmi, radiocuffie, ecc.). In questi casi, Nice, non può offrire nessuna garanzia circa la reale portata dei propri dispositivi.
- Tutte le caratteristiche tecniche riportate, sono riferite ad una temperatura ambientale di 20° C (± 5° C).
- Nice si riserva il diritto di apportare modifiche al prodotto in qualsiasi momento lo riterrà necessario, mantenendone la stessa destinazione d'uso e funzionalità.

DICHIARAZIONE CE DI CONFORMITÀ

Dichiarazione in accordo alla Direttiva 1999/5/CE

Nota – La presente Dichiarazione di Conformità raccoglie il contenuto delle singole dichiarazioni di conformità dei singoli prodotti citati; è aggiornata alla data di edizione del presente manuale ed è stata riadattata per motivi editoriali. Copia della dichiarazione originale per ogni prodotto può essere richiesta a Nice S.p.a. (TV) I.

Numero dichiarazione: 283/OX4

Revisione: 2

Lingua: IT

Il sottoscritto Luigi Paro in qualità di Amministratore Delegato, dichiara sotto la propria responsabilità che il prodotto:

Nome produttore: NICE s.p.a.

Indirizzo: Via Pezza Alta 13, Z.I. Rustignè, 31046 Oderzo (TV) Italia

Tipo: Ricetrasmittitore 433,92MHz per comando a distanza di porte, cancelli, serrande tende, tapparelle, luci ed applicazioni similari

Modelli: OX4, OX4T

Accessori:

Risulta conforme a quanto previsto dalla seguente direttiva comunitaria:

- 1999/5/CE DIRETTIVA 1999/5/CE DEL PARLAMENTO EUROPEO E DEL CONSIGLIO del 9 marzo 1999 riguardante le apparecchiature radio e le apparecchiature terminali di telecomunicazione e il reciproco riconoscimento della loro conformità, secondo le seguenti norme armonizzate:
 - Protezione della salute (art. 3(1)(a)): EN 50371:2002
 - Sicurezza elettrica (art. 3(1)(a)): EN 60950-1:2006 + A11:2009
 - Compatibilità elettromagnetica (art. 3(1)(b)): EN 301 489-1 V1.8.1:2008, EN 301 489-3 V1.4.1:2002
 - Spettro radio (art. 3(2)): EN 300 220-2 V2.3.1:2010

Oderzo, 31 maggio 2012

ing. Luigi Paro
(Amministratore Delegato)



RECOMMANDATIONS

OPÉRER EN CONDITIONS DE SÉCURITÉ !

ATTENTION ! – Pour la sécurité des personnes, il est important de respecter ces instructions.

ATTENTION ! – Instructions importantes pour la sécurité : conserver par conséquent ces instructions.

ATTENTION ! – Toutes les opérations d'installation, de connexion, de programmation et de maintenance du produit doivent être effectuées exclusivement par un technicien qualifié et compétent !

Respecter les consignes suivantes :

- ne pas effectuer de modifications sur des parties du produit quelles qu'elles soient, en dehors de celles qui sont décrites dans ce guide. Les opérations non autorisées peuvent être source de danger et entraîner des problèmes de fonctionnement. Le constructeur décline toute responsabilité pour les dommages dérivant de produits modifiés arbitrairement.
- Pour le nettoyage superficiel du produit, utiliser un chiffon doux et légèrement humide (pas mouillé !). **Important** – Ne pas utiliser de substances contenant de l'alcool, du ben-

- zène, des diluants ou autres substances inflammables. L'utilisation de ces substances pourrait endommager le produit.
- Conserver avec soin ce guide pour faciliter les éventuelles interventions futures de programmation et de maintenance du produit.
- Mettre au rebut les matériaux de l'emballage du produit dans le plein respect des normes locales en vigueur.

Le présent appareil est conforme aux CNR-210 (et FCC part 15) d'Industrie Canada applicables aux appareils radio exempts de licence. L'exploitation est autorisée aux deux conditions suivantes : (1) l'appareil ne doit pas produire de brouillage, et (2) l'utilisateur de l'appareil doit accepter tout brouillage radioélectrique subi, même si le brouillage est susceptible d'en compromettre le fonctionnement.

1 – DESCRIPTION DU PRODUIT ET TYPE D'UTILISATION

Le récepteur **OX4 / OX4T** fait partie du Système NiceOpera de Nice. Il est destiné à être utilisé dans les installations d'automatisation pour portails, portes de garage, barrières levantes, stores, volets roulants, lanterneaux et pour la commande de lumières et circuits électriques en général.

Toute autre utilisation doit être considérée comme impropre et interdite ! Le constructeur ne répond pas des dommages résultant d'une utilisation impropre du produit, différente de ce qui est prévu dans ce guide.

2 – CARACTÉRISTIQUES DU PRODUIT

- Il possède 4 relais avec contact électrique normalement ouvert (NO) et normalement fermé (NF), adaptés à être utili-

- sés dans des circuits électriques de puissance.
- Possède 3 dip-switches : 2 pour la programmation des Temporisateurs et 1 pour les usages futurs.
 - Il dispose de 14 fonctions associables aux relais de sortie.
 - Il possède une mémoire capable de contenir jusqu'à 1024 émetteurs.
 - Il est compatible avec les codes radio « **O-Code** » / « **FloR** » / « **TTS** », ou « **Smilo** », ou « **Flo** ».

(UNIQUEMENT POUR OX4T) – Il intègre un émetteur qui permet de retransmettre la commande reçue vers un deuxième récepteur (fonction « Répéteur »), en augmentant ainsi le rayon d'action du système récepteur-émetteur.

(UNIQUEMENT POUR OX4T) – Il peut être connecté par radio à l'unité de programmation Obox par l'intermédiaire de l'émetteur intégré, ou par voie filaire à l'unité de programmation Oview. Ces dispositifs facilitent la programmation, la gestion des codes mémorisés, les opérations de diagnostic et autres opérations.

(UNIQUEMENT POUR OX4T) – Il possède un numéro d'identification personnel appelé « **Certificat** », figurant dans le coupon cacheté dans l'emballage. Le certificat permet d'accéder à de nombreuses opérations comme, par exemple, la mémorisation de nouveaux émetteurs sans avoir besoin d'intervenir directement sur le récepteur.

Attention ! – Il est conseillé de conserver le certificat dans un endroit sûr car il peut être utilisé par des étrangers pour accéder en mode « wireless » (connexion sans fils) aux données contenues dans le récepteur, à moins qu'on ne programme des protections supplémentaires comme le mot de passe de sécurité.

Qu'est-ce que « NiceOpera » ?

Nice Opera est un système formé de divers dispositifs utilisés généralement dans les installations pour l'automatisation de portails, portes de garage et barrières levantes, en mesure de dialoguer entre eux et d'échanger des données par radio, à travers le codage « O-Code », et par voie filaire à travers le protocole « BusT4 », avec intégration totale des deux systèmes entre eux.

Les dispositifs qui font partie de « NiceOpera » sont :

- **les émetteurs de la série NiceOne ;**
- **les récepteurs de la série NiceOne ;**
- **les opérateurs avec logique de commande de type « BusT4 ».**

À ces dispositifs s'en ajoutent d'autres de type logiciel et matériel, complémentaires aux premiers et qui sont :

- **l'unité de programmation Obox avec logiciel dédié, pour les émetteurs et les récepteurs ;**
- **l'unité de programmation Oview, pour les**

logiques de commande et les récepteurs.

Avec l'Oview on peut utiliser également :

– un module Bluetooth® et un logiciel dédié, pour la communication des données entre l'Oview et un PC ou un ordinateur de poche ;

– un module GSM® et un logiciel dédié, pour la communication des données à travers Internet entre l'Oview et un PC ou un ordinateur de poche.

Avec le module Gsm®, il est possible d'utiliser également un smartphone ou un téléphone mobile ordinaire : avec ces appareils il est possible d'envoyer une commande à l'automatisme à travers un appel ou un Sms ; de plus, avec le smartphone, qui fonctionne avec le système d'exploitation Window® Mobile, il est possible d'utiliser également le logiciel « Oview software suite ».

3 – INSTALLATION DU PRODUIT

01. Enlever le couvercle supérieur du récepteur (fig. 1).
02. Pratiquer sur le boîtier, au niveau des marques, les trous nécessaires au passage des câbles et ceux pour la fixation du récepteur au mur. **Attention ! – Prendre les précautions nécessaires pour garantir l'indice de protection IP demandé par le type d'installation. En particulier, prévoir des presse-étoupe (non fournis) pour garantir la protection des câbles d'alimentation et de commande contre le risque de tractions ou de torsions.**
03. Fixer le boîtier du récepteur sur le mur (fig. 2). **Attention ! – Le récepteur doit être orienté de manière que les câbles entrent dans le boîtier exclusivement par le bas.**

4 – BRANCHEMENTS ÉLECTRIQUES

La fig. 3 montre les bornes et les prises à utiliser pour les connexions et les branchements :

- (A) pour le branchement de l'alimentation électrique ;
- (B) pour la connexion de l'antenne ;
- (C et D) pour la connexion des contacts des 4 relais ;
- (E) pour la connexion de l'Obox ;
- (F) pour la connexion de l'Oview et du câble « BusT4 ».

Chaque relais est muni d'1 commun (C), d'1 contact au repos normalement ouvert (NO) et d'1 contact au repos normalement fermé (NF) : tous ces contacts sont sans potentiel.

Les contacts des 4 relais sont à double isolement par rapport au reste du circuit du récepteur, de même que la paire de relais 1 et 2 et la paire de relais 3 et 4.

Le double isolement permet l'utilisation des contacts dans

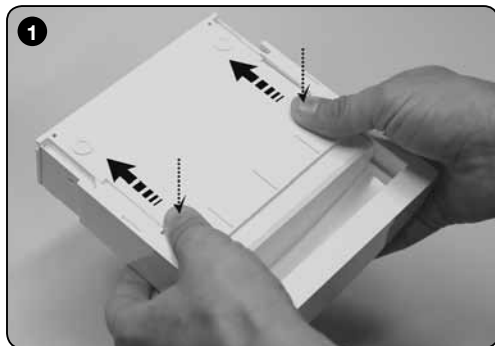
des circuits à très basse tension ou à la tension de secteur avec les possibilités suivantes :

- utilisation de **tous** les contacts dans des circuits électriques à la tension de secteur ;
- utilisation de **tous** les contacts dans des circuits électriques à très basse tension ;
- utilisation des relais **1 et 2** (ou **3 et 4**) dans des circuits électriques à tension de secteur et des relais **3 et 4** (ou **1 et 2**) dans des circuits électriques à très basse tension.

Schémas pour la connexion des relais

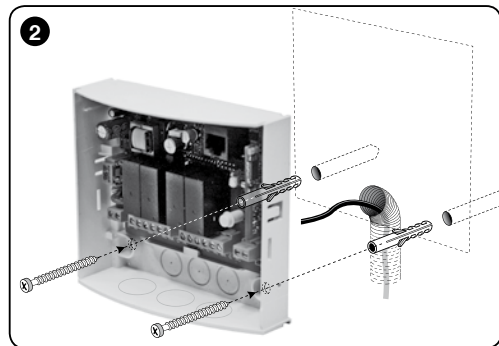
La **fig. 4** donne le schéma de connexion des relais à un circuit électrique général (un moteur, une lampe etc.) alimenté à la tension de secteur.

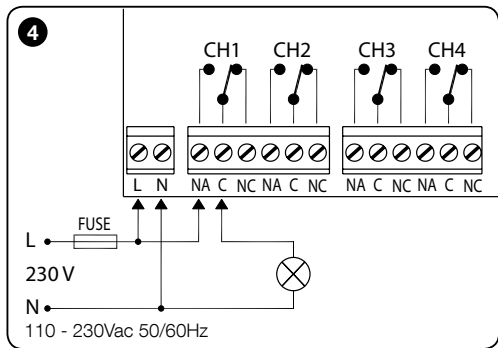
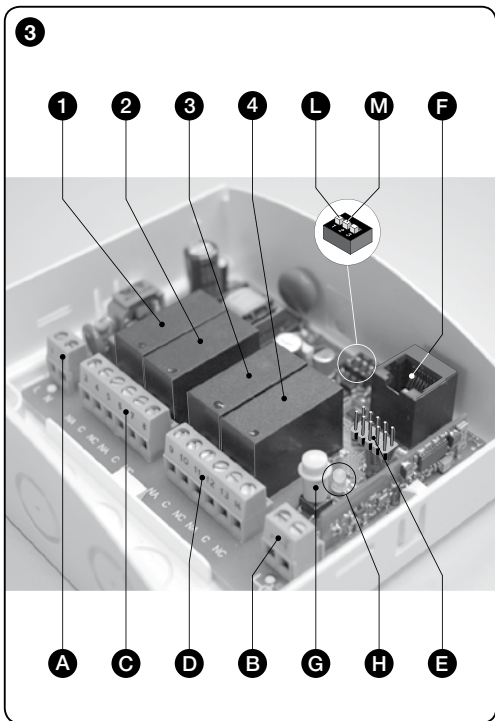
La **fig. 5** donne le schéma de connexion des relais à un moteur avec deux sens de marche (stores, volets roulants etc.).



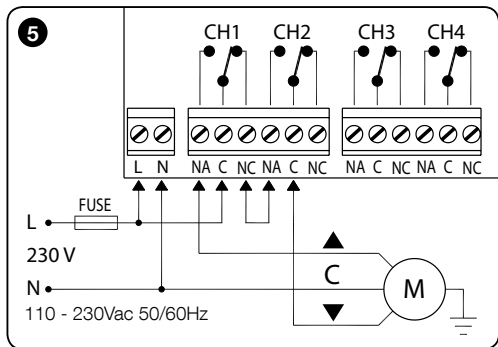
Recommandations pour la connexion de l'antenne

- Lors de la connexion de l'antenne, laisser le fil avec la longueur fournie et le positionner de manière rectiligne en évitant les courbes excessives.
- Si le récepteur se trouve dans une position défavorable et que le signal radio est faible, pour améliorer la réception il est conseillé de remplacer l'antenne fournie par une antenne extérieure (mod. ABF ou ABFKIT). La nouvelle antenne doit être positionnée le plus haut possible et au-dessus d'éventuelles structures métalliques ou de béton armé présentes dans la zone.





FR



5 – PROGRAMMATION

Recommandations :

Certaines fonctions de programmation présentes dans ce chapitre utilisent la touche **P1** et la led **L1** (fig. 3-G/H) du récepteur.

Pendant les programmations, la led émet un nombre de clignotements donné, avec une durée spécifique et une couleur de lumière donnée (verte, rouge ou orange), pour indiquer l'état des activités en cours. Pour connaître la signification de ces signalisations consulter le **Tableau B**, présent à la fin de cette notice.

D'autres fonctions peuvent être programmées exclusivement avec les dispositifs Obox ou Oview appartenant au Système NiceOpera.

5.1 - MÉMORISATION DES ÉMETTEURS

Le récepteur peut mémoriser jusqu'à 1024 émetteurs. Il est compatible avec les codes radio « **O-Code** » / « **FloR** » / « **TTS** », ou « **Smilo** », ou « **Flo** ».

Attention ! – ces trois groupes de codages ne sont pas compatibles entre eux ; par conséquent le premier émetteur mémorisé dans le récepteur définit aussi le codage auquel doivent appartenir les émetteurs successifs.

Pour vérifier si des émetteurs sont déjà mémorisés dans le récepteur ainsi que leur type de codage, couper l'alimentation du récepteur, rétablir l'alimentation et compter le nombre de clignotements de couleur **verte** qu'émet la led L1 :

1 clignotement = codage **Flo**

2 clignotements = codage **O-Code** / **FloR** / **TTS**

3 clignotements = codage **Smilo**

5 clignotements = aucun émetteur mémorisé

Les émetteurs peuvent être mémorisés en utilisant une des procédures suivantes :

• **Procédure Mode I** : programme **toutes les touches** (*) de l'émetteur en une seule fois, en associant chaque touche à un relais, avec le schéma suivant : touche **1** = relais **1** / touche **2** = relais **2** / touche **3** = relais **3** / touche **4** = relais **4**.

Le « Mode I » programme chaque touche pour opérer à « action maintenue » sur le relais correspondant.

(*) **Note** – Si l'émetteur a plusieurs codes, – comme par exemple les modèles ON9, WM009C etc., qui ont le clavier subdivisé en groupes de touches et chaque groupe a son propre code, comme s'il s'agissait d'émetteurs différents, – l'exécution de la procédure « Mode I » mémorise seulement les touches appartenant à un groupe ; pour mémoriser un autre groupe, répéter la procédure.

• **Procédure Mode II** : programme **une seule touche** de l'émetteur en l'associant à une fonction désirée parmi celles présentes dans le **Tableau A**.

Mémorisation d'un émetteur en « **Mode I** »

01. Sur le récepteur, maintenir enfoncée la touche **P1** jusqu'à ce que la led verte **L1** s'allume (au bout d'environ 4 secondes) puis relâcher la touche ;
02. dans les 10 secondes, maintenir enfoncée une touche quelconque de l'émetteur à mémoriser, jusqu'à ce que la led verte L1 du récepteur émette le premier des 3 clignotements qui signalent que la mémorisation a eu lieu.

À la fin de ces clignotements, si l'on souhaite mémoriser un autre émetteur en « Mode I », presser dans les 10 secondes une touche quelconque de ce nouvel émetteur.

Mémorisation d'un émetteur en « Mode II »

01. Choisir dans le **Tableau A** la fonction que l'on désire programmer (ex. « Fonction 8 ») ;
02. Sur le récepteur, presser la touche **P1** un nombre de fois égal au nombre qui identifie la Fonction choisie (dans notre exemple, 8 fois). À la fin, la led verte **L1** émet un nombre de clignotements brefs égal au nombre de pressions exercées sur la touche (dans notre exemple, 8 clignotements brefs) ;
03. dans les 10 secondes, maintenir enfoncée sur l'émetteur la touche que l'on désire mémoriser, jusqu'à ce que la led verte L1 du récepteur émette le premier des 3 clignotements longs qui signalent que la mémorisation a eu lieu.
À la fin de ces clignotements, si l'on souhaite mémoriser avec la même fonction une nouvelle touche (même d'un autre émetteur), presser dans les 10 secondes une touche quelconque de ce nouvel émetteur.

Tableau A – Fonctions associables à une touche de l'émetteur

Fonction 1 : active le **relais 1** en mode à action maintenue ;

Fonction 2 : active le **relais 2** en mode à action maintenue ;

Fonction 3 : active le **relais 3** en mode à action maintenue ;

Fonction 4 : active le **relais 4** en mode à action maintenue ;

Fonction 5 : active le **relais 1** en mode On/Off ;

Fonction 6 : active le **relais 2** en mode On/Off ;

Fonction 7 : active le **relais 3** en mode On/Off ;

Fonction 8 : active le **relais 4** en mode On/Off ;

Fonction 9 (note 1) : active le **relais 1** et **2** commander des moteurs dans les deux sens (volets roulants ou stores)

Fonction 10 (note 1) : active le **relais 3** et **4** pour commander des moteurs dans les deux sens (volets roulants ou stores)

Fonction 11 (note 2) : active le **relais 1** pendant le temps programmé dans le « Temporisateur 1 »

Fonction 12 (note 2) : active le **relais 3** pendant le temps programmé dans le « Temporisateur 2 »

Fonction 13 (note 1) : active le **relais 1** et **2** pour commander des moteurs dans les deux sens (stores vénitiens)

Fonction 14 (note 1) : active le **relais 3** et **4** pour commander des moteurs dans les deux sens (stores vénitiens)

Note 1 (Fonctions 9, 10, 13, 14)

Pour mémoriser cette fonction, presser une touche quelconque de l'émetteur. De cette manière le récepteur mémorise simultanément les touches 1, 2, 3, (4) de l'émetteur, en les configurant avec les commandes suivantes : Touche **1** = **MONTÉE** / Touche **2** = **STOP** / Touche **3** = **DESCENTE** / (Touche **4** = **STOP**).

Pour commander un moteur dans les deux sens de marche, il faut connecter les relais comme l'illustre la **fig. 5**.

- **Pour la Fonction 9 et 10** : en utilisant le récepteur, à chaque envoi de la commande les relais s'activent pendant le temps programmé dans le temporisateur : Temporisateur 1 pour les relais 1 et 2 ; Temporisateur 2 pour les relais 3 et 4 (pour programmer les temporisateurs, voir le chapitre 5.3).
- **Pour la Fonction 13 et 14** : en utilisant le récepteur, à chaque envoi de la commande les relais restent actifs tant que la touche reste enfoncée à action maintenue. Si toutefois la commande dure plus de 3 secondes, les relais restent actifs pendant le temps programmé dans le temporisateur : Temporisateur 1 pour les relais 1 et 2 ; Temporisateur 2 pour les relais 3 et 4 (pour programmer les temporisateurs, voir le chapitre 5.3).

Note 2 (Fonctions 11, 12)

En utilisant le récepteur, à chaque envoi de la commande le relais s'active pendant le temps programmé dans le temporisateur correspondant (pour programmer les temporisateurs, voir le chapitre 5.3) : Avant que le temps soit complètement écoulé, pour faire repartir le temporisateur il suffit de donner une nouvelle commande. Si par contre on désire interrompre le temporisateur avant l'expiration du temps, donner une nouvelle commande en pressant la touche pendant au moins 3 secondes.

Durant l'utilisation du récepteur, si un relais reçoit plusieurs commandes de suite – par exemple, de deux touches mémorisées sur le même relais mais avec des fonctions différentes, – le récepteur exécute la dernière commande envoyée.

5.2 - MÉMORISATION D'UN NOUVEL ÉMETTEUR EN UTILISANT LA PROCÉDURE « À PROXIMITÉ DU RÉCEPTEUR »

[Il est nécessaire de disposer d'un émetteur déjà mémorisé]

Il est possible de mémoriser un NOUVEL émetteur dans la mémoire du récepteur sans agir directement sur la touche de ce récepteur mais en opérant simplement dans son rayon de réception. Pour activer la procédure, il faut disposer d'un ANCIEN émetteur, déjà mémorisé (en « Mode I » ou en « Mode II ») et fonctionnant. La procédure permettra au NOUVEL émetteur de se mémoriser avec les mêmes réglages que l'ANCIEN. **Note** – Si on utilise les émetteurs NiceOne, en alternative à cette procédure, on peut utiliser la mémorisation à l'aide du « Code d'activation » (se référer au guide d'instructions des émetteurs).

Recommandation sur la procédure

- **La procédure doit être effectuée en opérant dans le rayon de réception du récepteur (à 10-20 m du récepteur).**
- **Si l'ANCIEN émetteur est mémorisé en « Mode I », durant la procédure presser, tant sur l'Ancien émetteur que sur le Nouveau, une touche quelconque ; si par contre l'ANCIEN émetteur est mémorisé en « Mode II », durant la procédure presser sur l'Ancien émetteur la touche avec la commande désirée et sur le nouvel émetteur la touche que l'on désire mémoriser avec cette commande.**
- **Il y a deux procédures : en choisir une suivant les préférences.**

Procédure standard

01. Sur le NOUVEL émetteur, maintenir enfoncée pendant au moins 5 secondes la touche ... puis la relâcher.
02. Sur l'ANCIEN émetteur, presser 3 fois la touche ... puis la relâcher.
03. Sur le NOUVEL émetteur, presser 1 fois la même touche que celle pressée au point 01 puis la relâcher.

Procédure alternative

01. Sur le NOUVEL émetteur, maintenir enfoncée pendant au moins 3 secondes la touche ... puis la relâcher.
02. Sur l'ANCIEN émetteur, maintenir enfoncée pendant au moins 3 secondes la touche.... puis la relâcher.
03. Sur le NOUVEL émetteur, maintenir enfoncée pendant au moins 3 secondes la même touche que celle pressée au point 01 puis la relâcher.
04. Sur l'ANCIEN émetteur, maintenir enfoncée pendant au moins 3 secondes la même touche que celle pressée au point 02.

5.3 - PROGRAMMATION D'UN TEMPORISATEUR

Le « Temporisateur 1 » et le « Temporisateur 2 » représentent le temps pendant lequel les relais restent actifs :

– **Temporisateur 1 destiné au relais 1.** Ce temporisateur correspond au temps de travail des relais 1 et 2, si ces derniers sont programmés avec la Fonction 9, 11 ou 13.

– **Temporisateur 2 destiné au relais 3.** Ce temporisateur correspond au temps de travail des relais 3 et 4, si ces derniers sont programmés avec la Fonction 10, 12 ou 14.

La valeur configurée à l'usine pour les deux temporisateurs est de 120 secondes. Cette valeur peut être modifiée avec la procédure d'« auto-apprentissage » suivante :

01. si le relais est actif le désactiver avec la commande appropriée ;
02. mettre sur **ON** le dip-switch 1 (**fig. 3-L**) pour programmer le Temporisateur 1 ou le dip-switch 2 (**fig. 3-M**) pour le Temporisateur 2 : la led à côté du dip-switch s'allume en indiquant ainsi l'activation de la phase de programmation ;
03. suivant le temporisateur choisi, activer le relais désiré en pressant la touche correspondante : **à partir de ce moment précis le comptage du temps commence** ;
04. quand le temps désiré s'est écoulé, presser de nouveau la touche pour désactiver le relais : le temps qui vient de s'écouler a été mémorisé et sera la nouvelle valeur du temporisateur ;
05. remettre sur **OFF** le dip-switch qui a été utilisé : la led à côté du dip-switch s'éteint et le récepteur revient au fonctionnement normal.

5.4 - EFFACEMENT DE LA MÉMOIRE

• Effacement total de la Mémoire

Pour effacer toute la mémoire du récepteur ou, en alternative, seulement les émetteurs mémorisés, procéder de la façon suivante :

01. Maintenir longuement la pression sur la touche du récepteur et observer la séquence des changements d'état de la Led **verte** :
au bout d'environ 4 secondes, elle s'allume...
au bout d'environ 4 secondes, elle s'éteint...
au bout d'environ 4 secondes, **elle commence à clignoter...**

02. À ce point :
- pour effacer les émetteurs mémorisés, relâcher la touche du récepteur **exactement durant le 3^e clignotement** de la led ;
 - pour effacer toute la mémoire (y compris les configurations et la famille de codage des émetteurs), relâcher la touche **exactement durant le 5^e clignotement** de la led.

Cette fonction peut être exécutée également avec l'unité de programmation Obox ou Oview.

• Effacement d'un seul émetteur de la Mémoire

Pour effacer un seul émetteur de la mémoire du récepteur, procéder de la façon suivante :

01. Maintenir longuement la pression sur la touche du récepteur...
02. après l'allumage de la led **verte**, sur l'émetteur que l'on veut effacer de la mémoire, maintenir la pression sur une touche (*) jusqu'à ce que la led du récepteur émette 5 clignotements rapides de couleur **verte** (= effacement effectué). Relâcher alors les deux touches.

(*) **Note** – Presser une touche quelconque, si l'émetteur est mémorisé en « Mode I » ; si l'émetteur est mémorisé en « Mode II », presser la touche que l'on souhaite mémoriser ; si plusieurs touches doivent être mémorisées, répéter la procédure pour chaque touche.

Cette fonction peut être exécutée également avec l'unité de programmation Obox ou Oview.

6 – PROGRAMMATION AVANCÉE

RECOMMANDATION – Certaines programmations décrites dans ce chapitre, ne peuvent être effectuées que si le récepteur est associé à des dispositifs appartenant au Système NiceOpera ; d'autre part ils demandent l'utilisation des unités de programmation Obox ou Oview.

Le récepteur possède d'autres fonctions non décrites dans ce manuel qui permettent d'augmenter les performances, le niveau de sécurité et la facilité d'utilisation de l'automatisation. Pour des informations supplémentaires sur les fonctions disponibles consulter le guide général du système « NiceOpera System Book » ou le guide d'instructions de l'Obox ou de l'Oview.

• METTRE LE MOT DE PASSE DANS LE RÉCEPTEUR

[avec Obox (UNIQUEMENT POUR OX4T) et Oview]

Cette fonction protège toutes les fonctions programmées dans le récepteur et désactive le fonctionnement de la touche et de la led. La fonction s'active en entrant dans le récepteur un **mot de passe** établi par l'installateur (nombre constitué au maximum de 10 chiffres).

Quand la fonction est active, pour pouvoir effectuer la programmation et la maintenance du récepteur il faut entrer le mot de passe au début pour débloquer le récepteur.

• **ACTIVER (ou désactiver) LE RÉCEPTEUR À LA MÉMORISATION D'UN ÉMETTEUR**

[avec Obox (UNIQUEMENT POUR OX4T)]

Cette fonction permet d'activer (ou de désactiver) dans le récepteur la possibilité de mémoriser un émetteur à travers la procédure « à proximité du récepteur » (chapitre 5, paragraphe 5.2) et/ou à travers la procédure avec le « code d'activation » présent dans les émetteurs de la série NiceOne.

La fonction est utile pour empêcher, par exemple, la mémorisation accidentelle d'émetteurs étrangers à l'installation. Pour l'activer ou la désactiver, procéder de la façon suivante :

01. Alimenter le récepteur en maintenant la touche P1 enfoncée et attendre que la Led L1 effectue d'abord les signalisations indiquées au chapitre 5.1, qu'elle exécute 2 clignotements rapides de couleur **orange** (= procédure activée) et qu'enfin elle indique avec une couleur l'état d'activation dans laquelle elle se trouve. Relâcher ensuite la touche ;
02. dans les 5 secondes, presser plusieurs fois la touche du récepteur pour choisir l'une des fonctions suivantes :
 - Led ÉTEINTE = Aucun blocage actif
 - Led VERTE = Blocage de la mémorisation « à proximité »
 - Led ROUGE = Blocage de la mémorisation avec « code d'activation »
 - Led ORANGE = Blocage des deux mémorisations (« à proximité » et avec « code d'activation ») ;
03. après avoir sélectionné la fonction, dans les 5 secondes presser une touche quelconque sur un émetteur déjà mémorisé dans le récepteur, pour sauvegarder la fonction que l'on vient de sélectionner.

• **ACTIVER (ou désactiver) LE RÉCEPTEUR POUR LA MÉMORISATION DE NOUVEAUX ÉMETTEURS À TRAVERS LE « NUMÉRO DE CERTIFICAT » DU RÉCEPTEUR**

[avec Obox (UNIQUEMENT POUR OX4T)]

Cette fonction permet d'activer (ou de désactiver) dans le récepteur la possibilité de mémoriser un émetteur à travers le numéro de certificat du récepteur.

Pour plus de détails sur comment utiliser le certificat, consulter le guide d'instructions de l'émetteur et le « NiceOpera System Book ».

• **ACTIVER (ou désactiver) LA MISE À JOUR DU NIVEAU DE « PRIORITÉ » DE L'ÉMETTEUR**

[avec Obox (UNIQUEMENT POUR OX4T)]

Cette fonction permet d'activer (ou de désactiver) dans le récepteur la possibilité de mettre à jour à un niveau supérieur la priorité d'un émetteur déjà mémorisé appartenant à la série NiceOne. Dans la configuration d'usine, la fonction est activée. Pour plus de détails sur comment gérer la priorité, consulter le guide de l'Obox et le « NiceOpera System Book ».

• **ACTIVER (ou désactiver) LA RÉCEPTION DES « CODES D'IDENTITÉ » NON ORIGINAUX DES ÉMETTEURS**

[avec Obox (UNIQUEMENT POUR OX4T)]

Cette fonction permet d'activer (ou de désactiver) dans le récepteur la possibilité d'accepter la commande envoyée par un émetteur avec le code d'identité modifié par rapport à l'original configuré en usine. Dans la configuration d'usine, la fonction est activée. Pour plus de détails sur comment modi-

fier les codes d'identité des émetteurs, consulter le guide de l'Obox.

• **ACTIVER (ou désactiver) LA GESTION DU CODE VARIABLE (ROLLING CODE - RND)**

[avec Obox (UNIQUEMENT POUR OX4T) et Oview]

Cette fonction permet d'activer (ou de désactiver) le récepteur à la gestion de la partie variable (RND ou rolling code) d'un code d'identité envoyé par un émetteur. Quand la fonction est activée, le récepteur reconnaît un code de type « rolling code » comme s'il s'agissait d'un code de type « fixe », en ignorant la partie variable. Dans la configuration d'usine, la fonction est désactivée.

• **ACTIVER (ou désactiver) LA FONCTION « RÉPÉTEUR »**

[avec Obox (UNIQUEMENT POUR OX4T)]

Cette fonction permet d'activer (ou de désactiver) dans le récepteur la fonction de « répétition » par radio de la commande reçue, en l'envoyant vers un deuxième récepteur destinataire. En utilisant deux récepteurs dont un avec la fonction « Répéteur » activée, il est possible de commander une automatisation depuis une distance supérieure à celle normalement couverte par le système récepteur-émetteur normal.

La fonction n'est disponible que si aux récepteurs sont associés des émetteurs avec codage « **O-Code** ».

Dans la configuration d'usine, la fonction est désactivée. Pour obtenir la fonction il faut l'activer à la fois dans le récepteur « répéteur » et dans les émetteurs désirés.

• **ACTIVER (ou désactiver) LA GESTION DU RELÂCHEMENT DES TOUCHES DE L'ÉMETTEUR**

[avec Obox (UNIQUEMENT POUR OX4T)]

Cette fonction permet d'activer (ou de désactiver) dans le récepteur le synchronisme entre le relâchement de la touche d'un émetteur avec codage « **O-Code** » et la réponse de l'automatisme à cette action. Normalement, quand on envoie une commande, au relâchement de la touche la manœuvre ne s'arrête pas immédiatement mais après un instant (un temps très court préétabli). L'activation de cette fonction permet au contraire la réponse instantanée de l'automatisme au relâchement de la touche. Dans la configuration d'usine, la fonction est désactivée.

• **ACTIVER (ou désactiver) L'ENVOI DES COMMANDES SUR LE RÉSEAU « BUS T4 »**

[avec Oview]

Cette fonction sert à activer (ou à désactiver) dans le récepteur la possibilité de recevoir et/ou d'envoyer les codes radio par voie filaire « BusT4 ». Dans les installations qui utilisent ce type de connexion, s'il est nécessaire de commander l'automatisme depuis une distance supérieure à celle qui est normalement couverte par le système récepteur-émetteur, on peut activer cette fonction dans les récepteurs (au moins 2) pour augmenter le rayon de l'émission radio ; dans ce cas le premier récepteur reçoit la commande « par radio » et la retransmet par voie filaire Bus vers le récepteur destinataire (celui où est mémorisé le code de l'émetteur d'où est partie la commande). Dans la configuration d'usine, la fonction est désactivée.

- **EXÉCUTION DE LA COMMANDE ENVOYÉE PAR DES ÉMETTEURS QUI FONT PARTIE D'UN « GROUPE D'APPARTENANCE »**

[avec Obox (UNIQUEMENT POUR OX4T)]

Dans la programmation des émetteurs avec l'Obox, il est possible d'inclure chaque émetteur dans un ou plusieurs « groupes d'appartenance » (jusqu'à 4 groupes).

Quand le récepteur reçoit une commande, il contrôle d'abord à quel groupe est associé cet émetteur ; si à ce moment-là son groupe d'appartenance est activé, le récepteur commande les sorties autrement la commande est bloquée et signalée par un clignotement **orange** de la led.

La formation des groupes est faite avec l'Obox, tandis que l'utilisation des groupes est gérée par d'autres dispositifs comme, par exemple, l'Oview. En particulier, celui-ci peut activer (ou désactiver) le fonctionnement d'un groupe d'émetteurs suivant des plages horaires données.

MISE AU REBUT DU PRODUIT

Ce produit fait partie intégrante de l'automatisme et doit donc être mis au rebut avec cette dernière.

Comme pour l'installation, à la fin de la durée de vie de ce produit, les opérations de démantèlement doivent être effectuées par du personnel qualifié.

Ce produit est constitué de différents types de matériaux : certains peuvent être recyclés, d'autres doivent être mis au rebut. Informez-vous sur les systèmes de recyclage ou de mise au rebut prévus par les normes en vigueur dans votre région pour cette catégorie de produit.

Attention ! – certains composants du produit peuvent contenir des substances polluantes ou dangereuses qui pourraient avoir des effets nuisibles sur l'environnement et sur la santé des personnes s'ils n'étaient pas adéquatement éliminés.

Comme l'indique le symbole ci-contre, il est interdit de jeter ce produit avec les ordures ménagères. Procéder à la « collecte différenciée » des composants pour leur traitement conformément aux méthodes prescrites par les normes locales en vigueur ou restituer le produit au vendeur lors de l'achat d'un nouveau produit équivalent.



Attention ! – les règlements locaux en vigueur peuvent prévoir de lourdes sanctions en cas d'élimination prohibée de ce produit.

Tableau B

SIGNALISATIONS ÉMISES PAR LA LED DU RÉCEPTEUR

— Clignotements longs / couleur VERTE —

À l'allumage :

- 1 * = Codage utilisé : « Flo »
- 2 * = Codage utilisé : « O-Code »/« FloR »/« TTS »
- 3 * = Codage utilisé : « Smilo »
- 5 * = Aucun émetteur mémorisé

Durant le fonctionnement :

- 1 * = Indique que le Code reçu n'est pas en mémoire
- 1 * = Au cours de la programmation, indique que le Code reçu est déjà dans la mémoire
- 3 * = Sauvegarde du Code dans la mémoire
- 5 * = Mémoire effacée
- 6 * = Au cours de la programmation, indique que le Code n'est pas autorisé pour la mémorisation
- 8 * = Mémoire pleine

— Clignotements courts / couleur VERTE —

- 1 * = « Certificat » non valable pour la mémorisation
- 2 * = Code non mémorisable parce qu'il transmet le « certificat »
- 3 * = Au cours de la programmation, indique que le Code reçu a été resynchronisé

- 4 * = Sortie en « Mode II » ne pouvant pas être géré sur la logique de commande
- 5 * = Durant la procédure d'effacement, indique que le Code a été effacé
- 5 * = « Certificat » avec priorité supérieure à celle qui est admissible
- 6 * = Code non synchronisé
- 6 * = Code non mémorisable à cause d'une « clé erronée »

— Clignotements longs / couleur ROUGE —

- 1 * = Blocage du Code non original
- 2 * = Code avec priorité inférieure à celle autorisée

— Clignotements courts / couleur ROUGE —

- 1 * = Blocage de la programmation « à proximité »
- 1 * = Blocage de la mémorisation par « certificat »
- 2 * = Blocage de la Mémoire (introduction du PIN)

— Clignotements longs / couleur ORANGE —

- 1 * = Signale Code en mémoire mais hors du « groupe » actuellement activé

— Clignotements courts / couleur VERTE —

- 2 * = Signale activation programmation blocages (à l'allumage)

CARACTÉRISTIQUES TECHNIQUES DU PRODUIT

• Alimentation :	110 ÷ 240 Vca 50/60 Hz
• Courant maximum absorbé :	80 mA
• Codages :	O-Code / TTS / FloR (rolling code) ; ou Smilo (rolling code) ou Flo.
• Fréquence :	433,92 MHz
• Impédance antenne :	52 ohms
• Sensibilité :	supérieure à 0,5µV pour signal à bonne fin
• Portée :	estimée à 200 m en espace libre et à 35 m à l'intérieur d'édifices
• Puissance rayonnée (uniquement pour OX4T) :	+2 dBm
• Nombre d'émetteurs mémorisables :	1024 (maximum)
• Sorties :	4 relais avec contacts NO et NF, sans potentiel
• Capacité des contacts :	5 A – 250 V
• Courant maximum BusT4 :	200 mA
• Temps des temporisateurs :	programmable de 2 secondes à 540 minutes
• Indice de protection :	IP44 (avec boîtier intact)
• Température de fonctionnement :	-20 ÷ 55 °C
• Dimensions / poids :	128 x 112 x 43 mm / 260 g

Remarques sur les caractéristiques techniques du produit :

- La distance de fonctionnement entre émetteurs et récepteurs (portée) est fortement influencée par d'autres dispositifs qui opèrent dans la zone et à la même fréquence (par exemple : systèmes d'alarmes, écouteurs radio, etc.). Dans ces cas-là, Nice ne peut offrir aucune garantie sur la portée réelle de ses dispositifs.
- Toutes les caractéristiques techniques se réfèrent à une température ambiante de 20°C (± 5°C).
- Nice se réserve le droit d'apporter des modifications au produit à tout moment si elle le juge nécessaire, en assurant dans tous les cas le maintien de sa fonctionnalité et du type d'application.

DÉCLARATION CE DE CONFORMITÉ

Déclaration conforme à la Directive 1999/5/CE

Note – La présente Déclaration de conformité réunit le contenu des diverses déclarations de conformité de chaque produit cité ; elle est mise à jour à la date d'édition du présent manuel et a été réélaborée pour des raisons d'édition. Une copie de la déclaration originale pour chaque produit peut être demandée à Nice S.p.a. (TV) I. (TV) I.

Numéro de déclaration : 283/OX4

Révision : 2

Langue : FR

Je soussigné Luigi Paro en qualité d'Administrateur Délégué, déclare sous mon entière responsabilité que le produit :

Nom du producteur : NICE s.p.a.

Adresse : Via Pezza Alta 13, Z.I. Rustignè, 31046 Oderzo (TV) Italie

Type : Récepteur-émetteur à 433,92 MHz pour la commande à distance de portes, portails, rideaux métalliques, stores, volets roulants, systèmes d'éclairage et applications similaires

Modèles : OX4, OX4T

Accessoires :

Est conforme à ce qui est prévu par la directive communautaire suivante:

- 1999/5/CE DIRECTIVE 1999/5/CE DU PARLEMENT EUROPÉEN ET DU CONSEIL du 9 mars 1999 concernant les équipements hertziens et les équipements terminaux de télécommunication et la reconnaissance mutuelle de leur conformité, selon les normes harmonisées suivantes :
 - Protection de la santé (art. 3(1)(a)) : EN 50371:2002
 - Sécurité électrique (art. 3(1)(a)) : EN 60950-1:2006 + A11:2009
 - Compatibilité électromagnétique (art. 3(1)(b)) : EN 301 489-1 V1.8.1:2008, EN 301 489-3 V1.4.1:2002
 - Spectre radio (art. 3(2)) : EN 300 220-2 V2.3.1:2010

Oderzo, le jeudi 31 mai 2012

Ing. Luigi Paro
(Administrateur délégué)



ADVERTENCIAS

¡TRABAJAR EN CONDICIONES SEGURAS!

¡ATENCIÓN! – Para la seguridad de las personas es importante respetar estas instrucciones.

¡ATENCIÓN! – Instrucciones importantes para la seguridad: guarde estas instrucciones.

¡ATENCIÓN! – Todas las operaciones de instalación, conexión, programación y mantenimiento del producto deben ser llevadas a cabo exclusivamente por un técnico cualificado y competente.

Respete las siguientes advertencias:

- No modifique ninguna pieza del producto si no está previsto en este manual. Las operaciones no autorizadas pueden ser peligrosas y provocar problemas de funcionamiento. El fabricante no se asumirá ninguna responsabilidad por daños originados por productos modificados arbitrariamente.
- Utilice un paño suave y ligeramente humedecido (no mojado) para la limpieza superficial del producto. **Importante**

- No utilice líquidos que contenga alcohol, benceno, disolventes u otras sustancias inflamables. El uso de dichas sustancias podría arruinar el producto.
- Conserve con cuidado este manual para facilitar las operaciones futuras de programación o de mantenimiento del producto.
- El material de embalaje del producto debe ser eliminado respetando la normativa local.

Este producto cumple con las disposiciones establecidas en la parte 15 de la normativa FCC de los Estados Unidos de América y con la normativa RSS-210 para la industria de Canadá. Su funcionamiento está sujeto a estas dos condiciones: (1) el producto no puede causar interferencias dañinas y (2) el producto debe aceptar cualquier interferencia recibida, incluidas posibles interferencias que podrían causar un funcionamiento no adecuado. Cualquier cambio o modificación realizado en este dispositivo sin la autorización expresa del fabricante podrá invalidar la facultad del usuario para poner en funcionamiento este dispositivo.

1 – DESCRIPCIÓN DEL PRODUCTO Y USO PREVISTO

El receptor **OX4 / OX4T** forma parte del Sistema NiceOpera de Nice. Está destinado para ser aplicado en las instalaciones de automatización de cancelas, portones de garaje, accionadores de barreras, toldos, persianas, lumbreras y para el accionamiento de luces y de circuitos eléctricos en general.

¡Cualquier otra utilización debe considerarse inadecuada y está prohibida! El fabricante no responde de los daños que pudieran surgir por un uso inadecuado del producto y diferente de aquel previsto en este manual.

2 – CARACTERÍSTICAS DEL PRODUCTO

- Posee 4 relés con contacto eléctrico normalmente abierto (NA) y normalmente cerrado (NC), adecuados para ser utilizados en circuitos eléctricos de potencia.
- Posee 3 dip-switches: 2 para la programación de los Temporizadores y 1 para usos posteriores.
- Dispone de 14 funciones asociables a los relés de salida.
- Posee una memoria que puede contener hasta 1024 transmisores.
- Es compatible con los códigos radio “O-Code” / “FloR” / “TTS”, o “Smilo”, o bien “Flo”.

(SÓLO PARA OX4T) – Integra un transmisor que permite retransmitir el mando recibido hacia un segundo receptor (función “Repeater”), ampliando el radio de acción del sistema transmisor.

(SÓLO PARA OX4T) – Puede ser conectado por radio a la unidad de programación Obox mediante el transmisor integrado, o por cable a la unidad de programación Oview. Estos dispositivos facilitan la programación, la gestión de los códigos memorizados, las operaciones de diagnóstico y otras operaciones.

(SÓLO PARA OX4T) – Posee un número de identificación personal denominado “Certificado”, indicado en el cupón cerrado incluido en el embalaje. El certificado permite acceder a muchas operaciones tales como, por ejemplo, la memorización de los nuevos transmisores sin la necesidad de intervenir directamente sobre el receptor. **¡Atención!** – Se recomienda guardar el certificado en un lugar seguro, porque podría ser utilizado por extraños para acceder de manera “wireless” (conexión inalámbrica) a los datos contenidos en el receptor, salvo que se programen en éste otras protecciones como la contraseña de seguridad.

Qué es “NiceOpera”

Nice Opera es un sistema formado por varios dispositivos utilizados por lo general en las instalaciones para la automatización de cancelas, portones de garaje y barreras móviles, capaces de dialogar entre sí y de intercambiar datos vía radio, a través de la codificación “O-Code”, y vía cable mediante el protocolo “BusT4”, con integración plena de los dos sistemas entre sí.

Los dispositivos que forman parte de “NiceOpera” son:

- **los transmisores de la serie NiceOne;**
- **los receptores de la serie NiceOne;**
- **los motorreductores con central de mando tipo “BusT4”.**

A dichos dispositivos se suman otros dispositivos complementarios, tipo software y hardware, a saber:

- **la unidad de programación O-Box con software dedicado, para los transmisores y receptores;**
- **la unidad de programación Oview, para las**

centrales de mando y los receptores; con Oview también se puede utilizar:

– un módulo Bluetooth® y un software dedicado, para comunicar los datos entre el Oview y un Ordenador Personal o un Ordenador Palmar;

– un módulo GSM® y un software dedicado, para comunicar los datos por Internet entre el Oview y un Ordenador Personal o un Ordenador Palmar.

Con el módulo Gsm® también es posible utilizar un smartphone y un teléfono móvil normal: con los mismos es posible enviar un mando a la automatización mediante una llamada telefónica o un Sms; con el smartphone, dotado de sistema operativo Window® Mobile, también es posible utilizar el software “Oview software suite”.

3 – INSTALACIÓN DEL PRODUCTO

01. Quite la tapa superior del receptor (fig. 1).
02. Haga sobre la caja, donde están predispuestas las marcas, los agujeros necesarios para pasar los cables y aquellos para fijar el receptor en la pared. **¡Atención!** – Tome las precauciones oportunas para garantizar el grado de protección IP necesario para el tipo de instalación. En particular, prevea los prensaestopas (no incluidos) para garantizar la protección de los cables de alimentación y mando contra posibles tirones o torsiones.
03. Fije en la pared el contenedor del receptor (fig. 2). **¡Atención!** – El receptor debe ser orientado de manera que los cables entren en la caja sólo y exclusivamente desde abajo.

4 – CONEXIONES ELÉCTRICAS

La fig. 3 muestra los bornes y los conectores que se deben utilizar para las conexiones:

- (A) para la conexión de la alimentación eléctrica;
- (B) para la conexión de la antena;
- (C y D) para la conexión de los contactos de los 4 relés;
- (E) para la conexión del Obox;
- (F) para la conexión del Oview y del cable “BusT4”.

Cada relé incorpora 1 común (C), 1 contacto de reposo normalmente abierto (NA) y 1 contacto de reposo normalmente cerrado (NC): estos son todos contactos sin tensión.

Los contactos de los 4 relés tienen un doble aislamiento respecto del resto del circuito del receptor, así como entre el par de relés 1 y 2 y el par de relés 3 y 4.

El doble aislamiento permite el uso promiscuo de los contac-

tos en circuitos a bajísima tensión o con tensión de red, con las siguientes posibilidades:

- utilización de **todos** los contactos en circuitos eléctricos a tensión de red;
- utilización de **todos** los contactos en circuitos eléctricos a bajísima tensión;
- utilización de los relés **1 y 2** (o bien **3 y 4**) en circuitos eléctricos a tensión de red y de los relés **3 y 4** (o bien **1 y 2**) en circuitos eléctricos a bajísima tensión.

Esquemas para la conexión de los relés

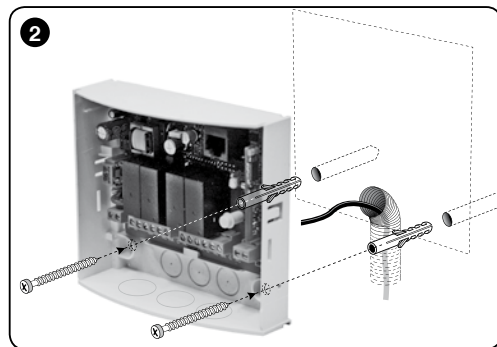
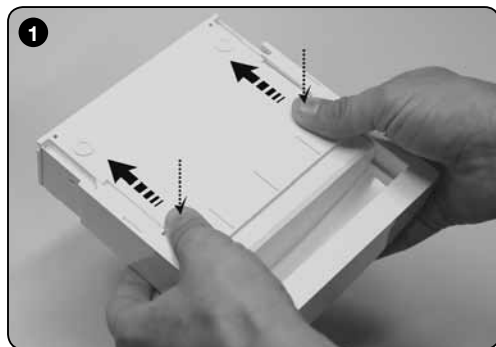
La **fig. 4** muestra el esquema de conexión de los relés a un circuito eléctrico genérico (un motor, una lámpara, etc.) alimentado a tensión de red.

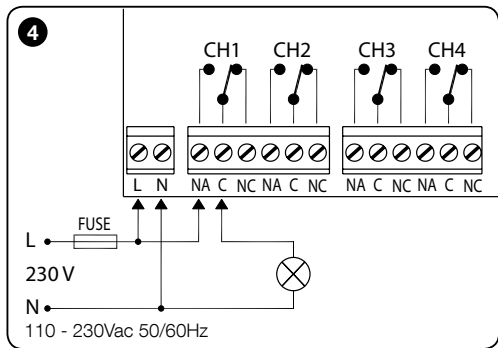
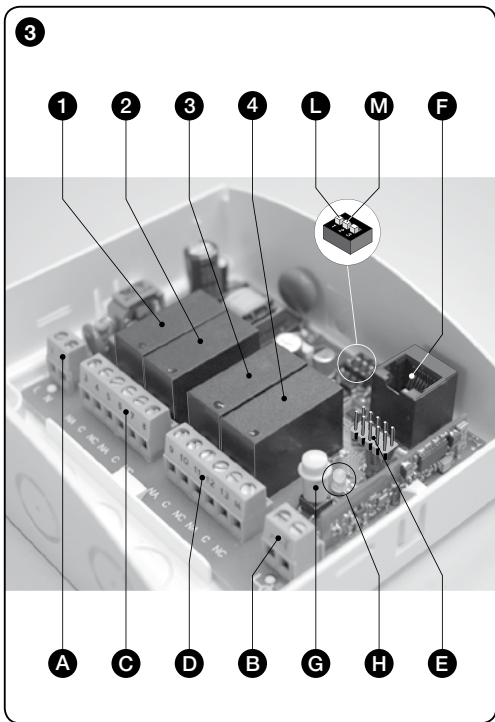
La **fig. 5** muestra el esquema de conexión de los relés a un

motor con dos sentidos de marcha (toldos, persianas venecianas, etc.).

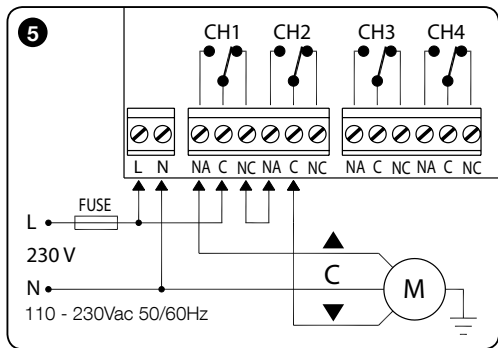
Advertencias para la conexión de la antena

- Cuando conecte la antena entregada, deje el hilo de la longitud que tiene y colóquelo en forma recta, evitando curvas excesivas.
- Si el receptor no estuviera en una posición favorable y la señal de radio fuera débil, para mejorar la recepción se aconseja sustituir la antena entregada con una antena exterior (mods. ABF o ABFKIT). La nueva antena debe instalarse lo más alto posible y por encima de cualquier estructura metálica o de cemento armado presente en la zona.





ES



5 – PROGRAMACIÓN

Advertencias

Algunas de las funciones de programación presentes en este capítulo utilizan el botón **P1** y el Led **L1** (fig. 3-G/H) del receptor.

Durante las programaciones el Led emite una determinada cantidad de destellos, con una duración y un color específico de la luz (verde, rojo o naranja), para indicar el estado de las operaciones en curso. Para conocer el significado de dichas señales, consulte la **Tabla B** presente en el final del manual.

Otras funciones pueden ser programadas exclusivamente con los dispositivos Obox o Oview del Sistema NiceOpera.

5.1 - MEMORIZACIÓN DE LOS TRANSMISORES

El receptor puede memorizar hasta 1024 transmisores. Es compatible con los códigos radio “**O-Code**” / “**FloR**” / “**TTS**”, o “**Smilo**”, o bien “**Flo**”.

¡Atención! – Estos tres grupos de códigos no son compatibles entre sí; por lo tanto el primer transmisor memorizado en el receptor define también el código al que deben pertenecer los transmisores siguientes.

Para verificar si en el receptor ya hay memorizados transmisores y su tipo de codificación, corte la alimentación al receptor, vuelva a conectar la alimentación y cuente la cantidad de destellos de color **verde**, emitidos por el Led L1:

1 destello = codificación **Flo**

2 destellos = codificaciones **O-Code / FloR / TTS**

3 destellos = codificación **Smilo**

5 destellos = ningún transmisor memorizado

Los transmisores pueden ser memorizados utilizando uno de los siguientes procedimientos:

• **Procedimiento Modo I:** programa **todos los botón(es)** del transmisor en una sola vez, combinando cada botón con un relé, con el siguiente esquema: botón **1** = relé **1** / botón **2** = relé **2** / botón **3** = relé **3** / botón **4** = relé **4**.

El “Modo I” programa cada botón para funcionar en “hombre presente” en el relé respectivo.

(*) **Nota** – Si el transmisor tiene varios códigos, – por ejemplo los modelos ON9, WM009C etc. que tienen la botonera subdivida en grupos de botones y cada grupo tiene un código propio, como si se tratara de diferentes transmisores, – la ejecución del procedimiento “Modo I” memoriza sólo los botones que pertenecen a un grupo; para memorizar otro grupo repita el procedimiento.

• **Procedimiento Modo II:** programa **un botón solo** del transmisor combinándolo con una función deseada entre aquellas presentes en la **Tabla A**.

Memorización de un transmisor en “**Modo I**”

01. En el receptor, mantenga apretado el botón **P1** hasta cuando se enciende el Led verde **L1** (tras unos 4 segundos) y soltar el botón;
02. antes de 10 segundos, mantenga pulsado cualquier botón del transmisor que debe memorizarse, hasta que el Led verde L1 del receptor emita el primero de los 3 destellos que señalan la ejecución de la memorización.

Al concluir estos destellos, si quiere memorizar otro transmisor en “Modo I”, pulse antes de 10 segundos cualquier botón de este nuevo transmisor.

Memorización de un transmisor en “Modo II”

01. Seleccione en la **Tabla A** la función que quiere programar (ej. “Función 8”);
02. En el receptor, pulse el botón **P1** una cantidad de veces equivalente al número que identifica la Función seleccionada (en nuestro ejemplo, 8 veces). Al concluir, el Led verde **L1** emitirá un número de destellos breves equivalente al número de veces que se pulsó el botón (en nuestro ejemplo, 8 destellos breves);
03. antes de 10 segundos, mantenga pulsado cualquier botón del transmisor que debe memorizarse, hasta que el Led verde L1 del receptor emita el primero de los 3 destellos largos, que señalan la ejecución de la memorización.

Al concluir estos destellos, si quiere memorizar con la misma función un nuevo botón (incluso de otro transmisor), pulse antes de 10 segundos este botón nuevo.

Tabla A – Funciones asociables a un botón del transmisor

Función 1: activa el **relé 1** en modo hombre presente;

Función 2: activa el **relé 2** en modo hombre presente;

Función 3: activa el **relé 3** en modo hombre presente;

Función 4: activa el **relé 4** en modo hombre presente;

Función 5: activa el **relé 1** en modo On/Off;

Función 6: activa el **relé 2** en modo On/Off;

Función 7: activa el **relé 3** en modo On/Off;

Función 8: activa el **relé 4** en modo On/Off;

Función 9 (nota 1): activa el **relé 1 y 2** para accionar motores con dos sentidos de marcha (persianas o toldos)

Función 10 (nota 1): activa el **relé 3 y 4** para accionar motores con dos sentidos de marcha (persianas o toldos)

Función 11 (nota 2): activa el **relé 1** durante el tiempo programado en “Temporizador 1”

Función 12 (nota 2): activa el **relé 3** durante el tiempo programado en “Temporizador 2”

Función 13 (nota 1): activa el **relé 1 y 2** para accionar motores con dos sentidos de marcha (cortinas venecianas)

Función 14 (nota 1): activa el **relé 3 y 4** para accionar motores con dos sentidos de marcha (cortinas venecianas)

Nota 1 (Funciones 9, 10, 13, 14)

Para memorizar esta función, pulse cualquier botón del transmisor. De este modo el receptor memoriza simultáneamente los botones 1, 2, 3, (4) del transmisor, configurándoles con los siguientes mandos: Botón **1** = **SUBIDA** / Botón **2** = **STOP** / Botón **3** = **BAJADA** / (Botón **4** = **STOP**).

Para accionar un motor en los dos sentidos de marcha, hay que conectar los relés como muestra la **fig. 5**.

- **Para la Función 9 y 10:** utilizando el receptor, cada vez que se envía el mando se activan los relés durante el tiempo programado en el temporizador: Temporizador 1 para los relés 1 y 2; Temporizador 2 para los relés 3 y 4 (para programar los temporizadores, véase el capítulo 5.3).
- **Para la Función 13 y 14:** utilizando el receptor, cada vez que envía el mando los relés quedan activos mientras que

el botón esté apretado en hombre presente. Si el mando dura más de 3 segundos, los relés quedan activos durante el tiempo programado en el temporizador: Temporizador 1 para los relés 1 y 2; Temporizador 2 para los relés 3 y 4 (para programar los temporizadores, véase el capítulo 5.3).

Nota 2 (Funciones 11, 12)

Utilizando el receptor, cada vez que se envía el mando se activa el relé durante el tiempo programado en el temporizador correspondiente (para programar los temporizadores, véase el capítulo 5.3). Antes de que termine el tiempo, para que el temporizador arranque de nuevo, basta con dar un nuevo mando. Por el contrario, si quiere interrumpir el temporizador antes de que termine el tiempo, accione un nuevo mando pulsando el botón durante 3 segundos por lo menos.

Durante el uso del receptor, si un relé recibe varios mandos consecutivamente – por ejemplo de dos botones memorizados en el mismo relé pero con funciones diferentes, – el receptor ejecuta el último mando enviado en orden cronológico.

5.2 - MEMORIZACIÓN DE UN NUEVO TRANSMISOR UTILIZANDO EL PROCEDIMIENTO “CERCANO AL RECEPTOR”

[es necesario tener un transmisor ya memorizado]

Es posible memorizar un transmisor NUEVO en la memoria del receptor, sin tener que pulsar directamente el botón de este receptor, sino actuando simplemente en su radio de recepción. Para llevar a cabo el procedimiento, es necesario tener a disposición un transmisor VIEJO ya memorizado (en “Modo I” o en “Modo II”) y que funcione. El procedimiento permitirá que el transmisor NUEVO se memorice con las mismas configuraciones que el transmisor VIEJO. **Nota** – Si se utilizan los transmisores NiceOne, como alternativa a este procedimiento, puede ser utilizada la memorización mediante el “Código de habilitación” (refiérase al manual de instrucciones de los transmisores).

Advertencias para el procedimiento

- **El procedimiento debe hacerse trabajando dentro del radio de recepción del receptor (10-20 m del receptor).**
- **Si el transmisor VIEJO es memorizado en “Modo I”, durante el procedimiento pulse, tanto en el transmisor Viejo como en aquel Nuevo, cualquier botón; en cambio si el transmisor VIEJO es memorizado en “Modo II”, durante el procedimiento pulse en el transmisor Viejo el botón con el mando deseado y en el transmisor Nuevo el botón que se quiere memorizar con ese mando.**
- **Los procedimientos son dos: escoja uno según sus preferencias.**

Procedimiento estándar

01. En el transmisor NUEVO, mantenga pulsado durante 5 segundos como mínimo el botón ...y, después, suéltelo
02. En el transmisor VIEJO, pulse 3 veces el botón ... y, después, suéltelo
03. En el transmisor NUEVO, pulse 1 vez el mismo botón que había pulsado en el punto 01 y, después, suéltelo.

Procedimiento alternativo

01. En el transmisor NUEVO, mantenga pulsado durante 3 segundos como mínimo el botón ...y, después, suéltelo
02. En el transmisor VIEJO, mantenga pulsado durante 3 segundos como mínimo el botón ...y, después, suéltelo
03. En el transmisor NUEVO, mantenga pulsado durante 3 segundos como mínimo el mismo botón del punto 01 y, después, suéltelo.
04. En el transmisor VIEJO, mantenga pulsado durante 3 segundos como mínimo el mismo botón del punto 02.

5.3 - PROGRAMACIÓN DE UN TEMPORIZADOR

El “Temporizador 1” y el “Temporizador 2” representan el tiempo durante el que los relés quedan activos:

– **Temporizador 1** destinado al relé 1. Este temporizador corresponde al tiempo de funcionamiento de los relés 1 y 2, en el caso en que estos se programen con la Función 9, 11 ó 13.

– **Temporizador 2** destinado al relé 3. Este temporizador corresponde al tiempo de funcionamiento de los relés 3 y 4, en el caso en que estos se programen con la Función 10, 12 ó 14.

En la fábrica, el valor configurado para los dos Temporizadores es de 120 segundos. Este valor puede ser modificado

con el siguiente procedimiento de “autoaprendizaje”:

01. Si el relé está activo, desactívelo con un mando oportuno;
02. coloque en **ON** el dip switch 1 (**fig. 3-L**) para programar el Temporizador 1 o el dip switch 2 (**fig. 3-M**) para el Temporizador 2: se enciende el Led junto al dip switch que indica la activación de la etapa de programación;
03. Según el temporizador seleccionado, active el relé deseado pulsando el botón correspondiente: **desde ese preciso instante comienza el conteo del tiempo**;
04. Transcurrido el tiempo deseado, pulse de nuevo el botón para desactivar el relé: el tiempo recién transcurrido ha sido memorizado y será el nuevo valor del temporizador;
05. Coloque en **OFF** el dip switch que ha sido utilizado: el Led junto al dip switch se apaga y el receptor vuelve al funcionamiento normal.

5.4 - BORRADO DE LA MEMORIA

• Borrado total de la Memoria

Para borrar toda la memoria del receptor o, como alternativa, sólo los transmisores memorizados, proceda de la siguiente manera:

01. Mantenga pulsado por bastante tiempo el botón del receptor y observe la secuencia de estados del Led **verde**:
después de unos 4 segundos, se enciende...
después de unos 4 segundos, se apaga...
después de unos 4 segundos, **comienza a destellar...**
02. Entonces:
– para borrar los transmisores memorizados, suelte el botón del receptor **exactamente durante el 3^{er} destello** del Led;
– para borrar toda la memoria (incluidas las configura-

ciones y la familia de codificación de los transmisores), suelte el botón **exactamente durante el 5º destello** del Led verde.

Esta función también se puede ejecutar con la unidad de programación Obox o Oview.

• Borrado de un solo transmisor de la Memoria

Para borrar de la memoria del receptor un transmisor solo, proceda de la siguiente manera:

01. Mantenga pulsado durante bastante tiempo el botón del receptor...
02. Una vez que se enciende el Led **verde**, en el transmisor que se quiere borrar de la memoria mantenga apretado un botón(*) hasta que el Led del receptor emita 5 destellos rápidos de color **verde** (= borrado realizado).* Ahora suelte los dos botones.

(*) **Nota** – si el transmisor está memorizado en “Modo I”, pulse cualquier botón; si está memorizado en “Modo II”, pulse el botón memorizado; si hubiera varios botones memorizados, repita el procedimiento para cada uno de ellos.

Esta función también se puede ejecutar con la unidad de programación Obox o Oview.

6 – PROGRAMACIÓN AVANZADA

ADVERTENCIA – Algunas programaciones descritas en este capítulo, pueden ser ejecutadas sólo si el receptor se combina con dispositivos pertenecientes al Sistema NiceOpera; asimismo, exigen la utilización de las unidades de programación Obox o Oview.

El receptor incorpora otras funciones no incluidas en este manual que permiten aumentar las prestaciones, el nivel de seguridad y la facilidad de uso del automatismo. Para más informaciones sobre las funciones disponibles, consulte el manual general del sistema “NiceOpera System Book” o bien el manual de instrucciones del Obox o del Oview.

• PONER LA CONTRASEÑA EN EL RECEPTOR

[con Obox (SÓLO PARA OX4T) y Oview]

Esta función protege todas las funciones programadas en el receptor y desactiva el funcionamiento del botón y del Led. La función se habilita insertando en el receptor una **contraseña** establecida por el instalador (número máximo 10 cifras).

Cuando la función está activa, para poder llevar a cabo la programación o el mantenimiento del receptor, habrá que insertar la contraseña para desbloquear el receptor.

• HABILITAR (o deshabilitar) EL RECEPTOR PARA LA MEMORIZACIÓN DE UN TRANSMISOR

[con Obox (SÓLO PARA OX4T)]

Esta función permite habilitar (o deshabilitar) en el receptor la posibilidad de memorizar un transmisor mediante el procedimiento 'cercano al receptor' (capítulo 5, párrafo 5.2) o mediante el procedimiento con el 'código de habilitación' presente en los transmisores de la serie NiceOne.

La función es útil para impedir, por ejemplo, la memorización accidental de transmisores ajenos a la instalación. Para habilitarla o deshabilitarla, proceda de la siguiente manera:

01. Alimente el receptor manteniendo pulsado el botón P1 y espere a que el Led L1 realice primero las señales indicadas en el capítulo 5.1; que haga 2 destellos rápidos de color **naranja** (= procedimiento activo); y que, por último, indique con un color el estado de habilitación en que se encuentra. Entonces, suelte el botón.
02. antes de 5 segundos, pulse varias veces el botón del receptor para seleccionar una de las siguientes funciones:
 - Led APAGADO = Ningún bloqueo activo
 - Led VERDE = Bloqueo de la memorización "cercana"
 - Led ROJO = Bloqueo de la memorización con "código de habilitación"
 - Led NARANJA = Bloqueo de ambas memorizaciones ("cercana" y con "código de habilitación");
03. una vez seleccionada la función, antes de transcurridos 5 segundos pulse cualquier botón en un transmisor ya memorizado en el receptor, para memorizar la función recién seleccionada.

• HABILITAR (o deshabilitar) EL RECEPTOR PARA LA MEMORIZACIÓN DE NUEVOS TRANSMISORES MEDIANTE EL "NÚMERO DE CERTIFICADO" DEL RECEPTOR

[con Obox (SÓLO PARA OX4T)]

Esta función permite habilitar (o deshabilitar) en el receptor la posibilidad de memorizar un transmisor con el número de certificado del receptor.

Para más informaciones sobre cómo utilizar el certificado, consulte el manual de instrucciones del transmisor y el manual NiceOpera System Book.

• HABILITAR (o deshabilitar) LA ACTUALIZACIÓN DEL NIVEL DE "PRIORIDAD" DEL TRANSMISOR

[con Obox (SÓLO PARA OX4T)]

Esta función permite habilitar (o deshabilitar) en el receptor la posibilidad de actualizar a un nivel superior la prioridad de un transmisor ya memorizado, perteneciente a la serie NiceOne. La función está habilitada de fábrica. Para más informaciones sobre cómo utilizar la prioridad, consulte el manual del Obox y el manual NiceOpera System Book.

• HABILITAR (o deshabilitar) LA RECEPCIÓN DE LOS "CÓDIGO DE IDENTIDAD" NO ORIGINALES DE LOS TRANSMISORES

[con Obox (SÓLO PARA OX4T)]

Esta función permite habilitar (o deshabilitar) en el receptor la posibilidad de aceptar el mando recibido de un transmisor con el código de identidad modificado respecto del original de fábrica. La función está habilitada de fábrica. Para más infor-

maciones sobre cómo modificar los códigos de identidad de los transmisores, consulte el manual del Obox.

• **HABILITAR (o deshabilitar) LA GESTIÓN DEL CÓDIGO ROLLING CODE (RND)**

[con Obox (SÓLO PARA OX4T) y Oview]

Esta función permite habilitar (o deshabilitar) en el receptor la gestión de la parte variable (RND o rolling code) de un código de identidad enviado por un transmisor. Cuando la función esté habilitada, el receptor reconocerá un código "rolling code" como si fuera un código "fijo", ignorando su parte variable. La función está deshabilitada de fábrica.

• **HABILITAR (o deshabilitar) LA FUNCIÓN "REPEATER"**

[con Obox (SÓLO PARA OX4T)]

Esta función permite habilitar (o deshabilitar) en el receptor la función de "repetición" vía radio del mando recibido, dirigiéndolo hacia otro receptor destinatario. Utilizando dos receptores, uno con la función "Repeater" habilitada, es posible accionar un automatismo desde una distancia superior a aquella normalmente cubierta por el normal sistema transreceptor.

La función está disponible si a los receptores se combinan los transmisores con codificación "**O-Code**".

La función está deshabilitada de fábrica. Para utilizar la función hay que habilitarla en el receptor "repetidor", y en los transmisores deseados.

• **HABILITAR (o deshabilitar) LA GESTIÓN DE LA RESPUESTA AL SOLTAR LOS BOTONES DEL TRANSMISOR**

[con Obox (SÓLO PARA OX4T)]

Esta función permite habilitar (o deshabilitar) en el receptor el sincronismo entre soltar el botón de un transmisor con código "**O-Code**" y la respuesta del automatismo a tal acción. Normalmente, cuando se envía un mando, al soltar el botón la maniobra no se detiene de inmediato sino tras un instante (un tiempo brevísimo, preconfigurado). La activación de tal función permite la respuesta instantánea del automatismo al soltar el botón. La función está deshabilitada de fábrica.

• **HABILITAR (o deshabilitar) EL ENVÍO DE LOS MANDOS EN LA RED "BUS T4"**

[con Oview]

Esta función permite habilitar (o deshabilitar) en el receptor la posibilidad de recibir o enviar los códigos radio mediante el cable "BusT4". En las instalaciones que utilizan este tipo de conexión, si es necesario accionar el automatismo a una distancia mayor de aquella cubierta por el sistema transreceptor, se puede habilitar esta función en los receptores (mínimo 2) para aumentar el alcance de transmisión radio; en tal caso el primer receptor recibe el mando "vía radio" y lo retransmite mediante el cable Bus hacia el receptor destinatario (aquel donde está memorizado el código del transmisor del que salió el mando). La función está deshabilitada de fábrica.

- **EJECUCIÓN DEL MANDO ENVIADO POR TRANSMISORES QUE FORMAN PARTE DE UN “GRUPO DE PERTENENCIA”**

[con Obox (SÓLO PARA OX4T)]

Al programar los transmisores con el Obox es posible insertar cada transmisor en uno o varios “grupos de pertenencia” (hasta 4 grupos).

Cuando el receptor recibe un mando controla antes a qué grupo está asociado ese transmisor; si en ese momento su grupo de pertenencia está habilitado, el receptor acciona las salidas, por el contrario el mando es bloqueado y señalado con un destello **naranja** del Led.

Los grupos se forman con el Obox, mientras que la utilización de los grupos se controla desde otros dispositivos, como por ejemplo el Oview. En particular, esto puede habilitar (o deshabilitar) el funcionamiento de un grupo de transmisores según determinadas franjas horarias.

ELIMINACIÓN DEL PRODUCTO

Este producto forma parte integrante de la automatización y, por consiguiente, debe eliminarse junto con ésta.

Al igual que para las operaciones de instalación, también al final de la vida útil de este producto, las operaciones de desguace deben ser efectuadas por personal experto.

Este producto está formado de varios tipos de materiales: algunos pueden reciclarse y otros deben eliminarse. Infórmese sobre los sistemas de reciclaje o de eliminación previstos por las normativas vigentes locales para esta categoría de producto.

¡Atención! – algunas piezas del producto pueden contener sustancias contaminantes o peligrosas que, si se las abandonan en el medio ambiente, podrían provocar efectos perjudiciales para el mismo medio ambiente y para la salud humana.

Tal como indicado por el símbolo de aquí al lado, está prohibido arrojar este producto a los residuos urbanos. Realice la “recogida selectiva” para la eliminación, según los métodos previstos por las normativas vigentes locales, o bien entregue el producto al vendedor cuando compre un nuevo producto equivalente.



¡Atención! – las reglas locales pueden prever sanciones importantes en el caso de eliminación abusiva de este producto.

Tabla B

SE—ALES EMITIDAS POR EL LED DEL RECEPTOR

— Destellos prolongados / color VERDE —

Durante el encendido:

- 1 * = Codificación utilizada: "Flo"
- 2 * = Codificación utilizada: "O-Code"/"FloR"/"TTS"
- 3 * = Codificación utilizada: "Smilo"
- 5 * = Ningún telemando memorizado

Durante el funcionamiento:

- 1 * = Indica que el Código recibido no está memorizado
- 1 * = Durante la programación, indica que el Código ya está memorizado
- 3 * = Memorización del Código en la memoria
- 5 * = Memoria borrada
- 6 * = Durante la programación, indica que el Código no está autorizado para ser memorizado
- 8 * = Memoria llena

— Destellos breves / color VERDE —

- 1 * = "Certificado" no válido para ser memorizado
- 2 * = Código no memorizable porque transmite el "certificado"
- 3 * = Durante la programación, indica que el Código ha sido resincronizado

- 4 * = Salida en "Modo II" que no se puede gestionar en la Central
- 5 * = Durante el borrado, indica que el Código ha sido borrado
- 5 * = "Certificado" con prioridad superior a aquella admitida
- 6 * = Código desincronizado
- 6 * = Código no memorizable por una "clave incorrecta"

— Destellos prolongados / color ROJO —

- 1 * = Bloqueo del Código no original
- 2 * = Código con prioridad inferior a aquella autorizada

— Destellos breves / color ROJO —

- 1 * = Bloqueo de la programación "cercana"
- 1 * = Bloqueo de la memorización mediante "certificado"
- 2 * = Bloqueo de la Memoria (introducción del PIN)

— Destellos prolongados / color NARANJA —

- 1 * = Señala el Código en la memoria pero fuera del "grupo" habilitado actualmente

— Destellos breves / color NARANJA —

- 2 * = Señala la activación de la programación de los bloques (durante el encendido)

CARACTERÍSTICAS TÉCNICAS DEL PRODUCTO

• Alimentación:	110 ÷ 240 Vac 50/60 Hz
• Corriente máxima absorbida:	80 mA
• Códigos:	O-Code / TTS / FloR (rolling code); o Smilo (rolling code) o Flo.
• Frecuencia:	433.92 MHz
• Impedancia antena:	52 ohm
• Sensibilidad:	mejor de 0,5µV para señal a buen fin
• Alcance:	estimada en 200 m al aire libre y en 35 m en el interior de edificios.
• Potencia irradiada (sólo para OX4T):	+2dBm
• Nº transmisores memorizables:	1024 (máximo)
• Salidas:	4 relés con contactos NA y NC, libres de tensión
• Capacidad de los contactos:	5A - 250V
• Corriente máxima BusT4:	200 mA
• Tiempo de temporizadores:	programables de 2 segundos a 540 minutos
• Clase de protección:	IP44 (con caja íntegra)
• Temperatura de funcionamiento:	-20 ÷ 55°C
• Medidas / peso:	128 x 112 x 43 mm / 260 g

Notas sobre las Características Técnicas del producto:

- La distancia de funcionamiento entre transmisores y receptores (alcance) está muy influenciada por otros dispositivos que obran en la zona y a la misma frecuencia (por ejemplo: sistemas de alarma, auriculares con radio, etc.). En estos casos, Nice no ofrece ninguna garantía sobre el alcance real de sus dispositivos.
- Todas las características técnicas indicadas se refieren a una temperatura ambiente de 20°C (± 5°C).
- Nice S.p.a. se reserva el derecho de modificar el producto en cualquier momento, manteniendo las mismas funcionalidades y el mismo uso previsto.

DECLARACIÓN CE DE CONFORMIDAD

Declaración de acuerdo con la Directiva 1999/5/CE

Nota – La presente Declaración de Conformidad agrupa el contenido de cada declaración de conformidad de cada uno de los productos citados; está actualizada a la fecha de edición de este manual y ha sido readaptada por motivos de impresión. Una copia de la declaración original de cada producto puede ser solicitada a Nice S.p.A. (Treviso) Italia.

Número de declaración: 283/OX4

Revisión: 2

Idioma: ES

El que suscribe, Luigi Paro, en calidad de Administrador Delegado, declara bajo su propia responsabilidad que el producto:

Nombre del fabricante: NICE s.p.a.

Dirección: Via Pezza Alta 13, Z.I. Rustignè, 31046 Oderzo (TV) Italia

Tipo: Transmisor 433,92MHz para accionar a distancia puertas, cancelas, cierres enrollables, toldos, persianas, luces y aplicaciones similares.

Modelos: OX4, OX4T

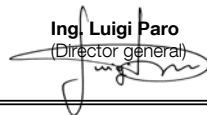
Accesorios:

Responde a las prescripciones de la siguiente directiva comunitaria:

- DIRECTIVA 1999/5/CE DEL PARLAMENTO EUROPEO Y DEL CONSEJO del 9 de marzo de 1999 relativa a los equipos radioeléctricos y equipos terminales de telecomunicación y el recíproco reconocimiento de su conformidad, según las siguientes normas armonizadas:
 - Protección de la salud (art. 3(1)(a)): EN 50371:2002
 - Seguridad eléctrica (art. 3(1)(a)): EN 60950-1:2006 + A11:2009
 - Compatibilidad electromagnética (art. 3(1)(b)): EN 301 489-1 V1.8.1:2008, EN 301 489-3 V1.4.1:2002
 - Espectro radioeléctrico (art. 3(2)): EN 300 220-2 V2.3.1:2010

Oderzo, jueves, 31 de mayo de 2012

Ing. Luigi Paro
(Director general)



HINWEISE

SICHER ARBEITEN!

ACHTUNG – Für die Sicherheit der Personen ist es wichtig, sich an diese Anweisungen zu halten.

ACHTUNG – Für die Sicherheit wichtige Anweisungen: Bitte aufbewahren.

ACHTUNG! – Alle Installierungs-, Anschluss-, Programmierungs- und Wartungsarbeiten des Produkts dürfen ausschließlich von einem qualifizierten Techniker ausgeführt werden!

Befolgen Sie diese Hinweise:

- **Keine Änderungen an den Produktteilen vornehmen, außer die in diesem Handbuch vorgesehenen. Nicht zugelassene Vorgänge können Gefahren und eine mangelhafte Funktion hervorrufen. Der Hersteller übernimmt keinerlei Haftung für Schäden, die durch willkürlich veränderte Produkte entstanden sind.**
- Reinigen Sie die Oberflächen des Produktes mit einem weichen, leicht feuchten Tuch (nicht nass). **Wichtig** – Verwenden Sie keine Flüssigkeiten, die Alkohol, Benzol, Verdünnungsmittel oder sonstige entzündbare Stoffe enthalten.

Die Anwendung dieser Substanzen könnte das Produkt beschädigen.

- Das vorliegende Handbuch sorgfältig aufbewahren, um zukünftige Programmierungs- oder Wartungsarbeiten am Produkt zu erleichtern.
- Das Verpackungsmaterial des Produktes muss unter voller Einhaltung der örtlichen Vorschriften entsorgt werden.

1 – PRODUKTBESCHREIBUNG UND EINSATZ

Der Empfänger **OX4 / OX4T** ist Teil des Systems "NiceOpera" der Firma Nice. Er ist dazu bestimmt, in Automatisierungsanlagen für Tore, Garagentore, Straßensperren, Markisen, Rollläden, Oberlichter und zur Steuerung von Lichtern und Stromkreisen generell verwendet zu werden.

Jeder andere Einsatz ist unsachgemäß und untersagt! Der Hersteller übernimmt keinerlei Haftung für Schäden infolge von unsachgemäßem Gebrauch des Produktes, der anders ist als im vorliegenden Handbuch vorgesehen.

2 – MERKMALE DES PRODUKTS

- Es besitzt 4 Relais mit einem normalerweise geöffneten (NO) elektrischen Kontakt, die in Leistungsstromkreisen verwendet werden können.
- Es besitzt 3 dip-switch: 2 zur Programmierung der Timer und 1 für zukünftige Zwecke.
- Es verfügt über 14 Funktionen, die mit den Ausgangsrelais verbunden werden können.
- Es besitzt einen Speicher, der bis zu 1024 Sender enthalten kann.

- Es ist mit den Funkcodierungen "O-Code" / "FloR" / "TTS" oder "Smilo" oder "Flo" kompatibel.

(NUR FÜR OX4T) – Es beinhaltet einen Sender, der die erneute Übertragung des erhaltenen Befehls an einen zweiten Empfänger ermöglicht (Funktion "repeater"), wodurch der Wirkungskreis des Empfangs-/Übertragungssystems erweitert wird.

(NUR FÜR OX4T) – Es kann per Funk an die Programmierereinheit Obox durch den integrierten Sender oder per Kabel mit der Programmierereinheit Oview verbunden werden. Diese Vorrichtungen erleichtern die Programmierung, die Kontrolle der gespeicherten Codes sowie die Diagnosen und andere Vorgänge.

(NUR FÜR OX4T) – Es besitzt eine persönliche Identifikationsnummer, die "Zertifikat" genannt wird, und im versiegelten Coupon in der Verpackung vorliegt. Das Zertifikat ermöglicht den Zugang zu vielen Vorgängen, wie zum Beispiel die Speicherung neuer Sender, ohne direkt am Empfänger eingreifen zu müssen. **Achtung!** – Wir empfehlen, das Zertifikat an einem sicheren Ort aufzubewahren, damit es von keinen Außenstehenden für den "wireless" - Zugang zu den im Empfänger enthaltenen Daten verwendet werden kann (kabelloser Anschluss); man kann jedoch im Empfänger weitere Sicherheiten programmieren, wie zum Beispiel die Sicherheitspasswords.

Was ist "NiceOpera"?

Nice Opera ist ein System, das aus verschiedenen Vorrichtungen besteht, die normalerweise in Automatisierungsanlagen von Toren, Garagentoren und beweglichen Straßensperren angewendet werden. Diese können untereinander dialogieren und per Funk über die Codierung "O-Code" sowie über Kabel durch das Protokoll "BusT4", bei vollständiger gegenseitiger Integrierung der beiden Systeme Daten austauschen.

Die Vorrichtungen, aus denen das System NiceOpera besteht, sind:

- **Die Sender der Serie NiceOne;**
- **Die Empfänger der Serie NiceOne;**
- **Getriebemotoren mit "BusT4" - Steuerung.**

Diesen Vorrichtungen werden andere vervollständigende Vorrichtungen (Software und Hardware) zugefügt:

- **Die Programmierereinheit O-Box mit die-sbezüglicher Software für die Sender und Empfänger;**
- **Die Programmierereinheit Oview für die Sen-**

der und Empfänger; mit Oview kann auch folgendes verwendet werden:

– ein Modul Bluetooth® und eine diesbezügliche Software für die Kommunikation der Daten zwischen Oview und einem Personal Computer (oder einem Handheld-Computer);

– ein Modul Gsm® und eine diesbezügliche Software für die Kommunikation der Daten via Internet zwischen Oview und einem Personal Computer (oder einem Handheld-Computer).

Mit dem Modul Gsm® ist es möglich, auch ein Smartphone und ein gemeinsames Mobiltelefon zu benutzen, mit denen es möglich ist, eine Steuerung an die Automatisierung über einen Telefonanruf oder eine “SMS” -Nachricht zu übertragen; außerdem ist es mit dem Smartphone mit Betriebssystem Windows® Mobile möglich, auch die Software “Oview software suite” anzuwenden.

3 – INSTALLATION DES PRODUKTES

01. Den oberen Deckel des Empfängers entfernen (**Abb. 1**).
02. Am Behälter an den vorgesehenen Zeichen die notwendigen Bohrungen zum Durchgang der Kabel und zur Befestigung des Empfängers an der Wand ausführen.
Achtung! – Die entsprechenden Vorsichtsmaßnahmen treffen, um den von der Installierungsart geforderten Schutzgrad IP zu garantieren. Insbesondere Kabelhalter (nicht mitgeliefert) vorsehen, um den Schutz der Speisungs- und Steuerkabel vor einem möglichem Verziehen oder Verdrehen zu garantieren.
03. Den Behälter des Empfängers an der Wand befestigen (**Abb. 2**). **Achtung!** – Der Empfänger muss so ausgerichtet werden, dass die Kabel nur von unten in den Behälter eintreten.

4 – ELEKTRISCHE ANSCHLÜSSE

Die **Abb. 3** zeigt die für die Anschlüsse zu verwendenden Klammern und Steckdosen:

- **(A)** für den Anschluss der Stromversorgung;
- **(B)** für den Anschluss der Antenne;
- **(C und D)** für den Anschluss der Kontakte der 4 Relais;
- **(E)** für den Anschluss der Obox;
- **(F)** für den Anschluss des Oview und des Kabels “BusT4”.

Jedes Relais ist mit 1 gemeinen Kontakt (C), 1 Kontakt in Ruhestellung, normalerweise geöffnet (NA) und 1 Kontakt in Ruhestellung, normalerweise geschlossen (NC) ausgestattet: Hier handelt es sich um reine Kontakte. Die Kontakte der 4 Relais sind gegenüber dem Rest des Kreises des Empfängers doppelt isoliert, wie auch zwischen dem Relaispaar 1 und 2

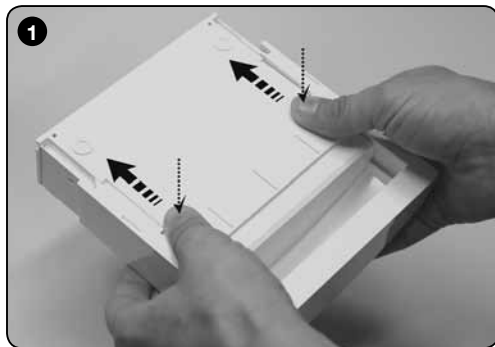
und dem Relaispaar 3 und 4.

Die doppelte Isolierung ermöglicht die gemischte Nutzung der Kontakte in Kreisen mit sehr niedriger Spannung oder mit Netzspannung mit den folgenden Möglichkeiten:

- Anwendung **aller** Kontakte in Stromkreisen mit Netzspannung;
- Anwendung **aller** Kontakte in Stromkreisen mit sehr niedriger Spannung;
- Anwendung der Relais **1** und **2** (oder **3** und **4**) in Stromkreisen mit Netzspannung und der Relais **3** und **4** (oder **1** und **2**) in Stromkreisen mit sehr niedriger Spannung.

Pläne für den Anschluss der Relais

Die **Abb. 4** zeigt den Anschlussplan der Relais in einem allgemeinen Stromkreis (ein Motor, eine Lampe usw.), der unter

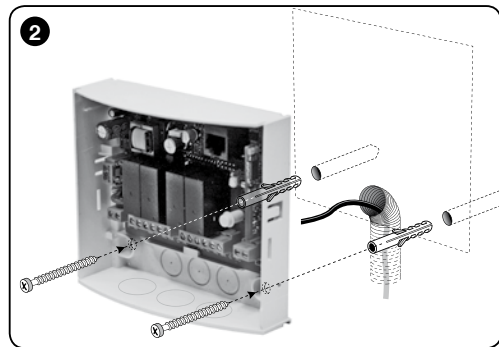


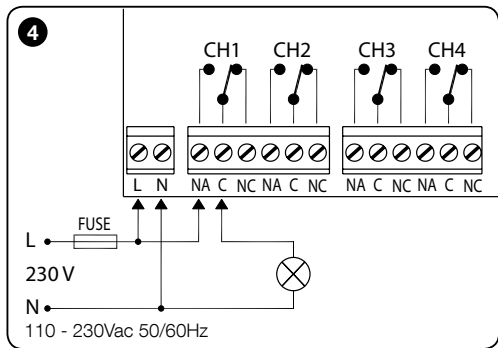
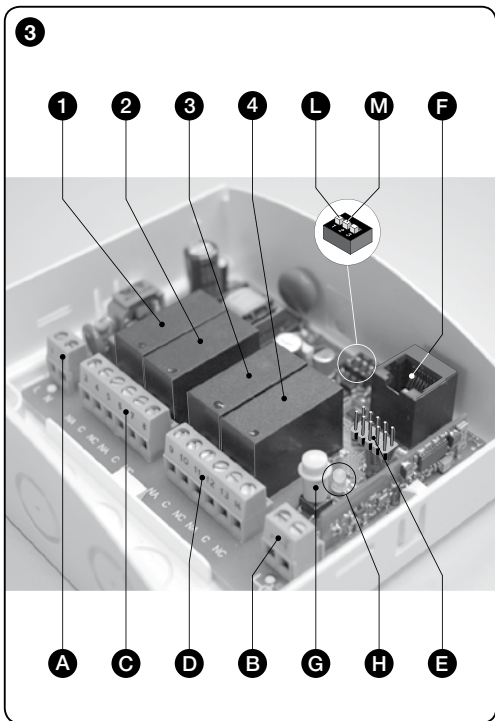
Netzspannung gespeist wird.

Die **Abb. 5** zeigt den Anschlussplan der Relais in einem Motor mit zwei Gangrichtungen (Markisen, Rollläden usw.).

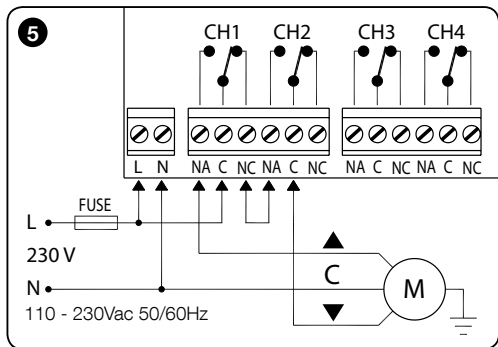
Hinweise für den Anschluss der Antenne

- Beim Anschluss der mitgelieferten Antenne das Kabel in der gelieferten Länge lassen und gerade ausrichten und keine starken Biegungen zulassen.
- Wenn sich der Empfänger in einer ungünstigen Position befindet und das Signal schwach ist, ist es zur Verbesserung des Empfangs empfehlenswert, die mitgelieferte Antenne mit einer externen Antenne zu ersetzen (Mod. ABF oder ABFKIT). Die neue Antenne muss so hoch wie möglich und oberhalb eventueller Metallstrukturen oder Betonbauten in der Umgebung angebracht werden.





DE



5 – PROGRAMMIERUNG

Hinweise:

Einige der in diesem Kapitel vorhandenen Programmierungsfunktionen nützen die Taste **P1** und die Led **L1** (**Abb. 3-G/H**) des Empfängers.

Während den Programmierungen blinkt die Led mit einer bestimmten Blinkzahl und einer spezifischen Dauer und Lichtfarbe (grün, rot oder orange), um den Zustand der laufenden Vorgänge anzuzeigen. Um die Bedeutung dieser Signalisierungen zu kennen, lesen Sie bitte in **Tabelle B** am Ende dieses Handbuchs nach.

Weitere Funktionen können ausschließlich mit den Vorrichtungen Obox oder Oview des Systems NiceOpera programmiert werden.

5.1 - SPEICHERUNG DER SENDER

Der Empfänger kann bis zu 1024 Sender speichern. Er ist mit den Funkcodierungen **“O-Code”** / **“FloR”** / **“TTS”** oder **“Smilo”** oder **“Flo”** kompatibel.

Achtung! – Diese drei Codierungsgruppen sind untereinander nicht kompatibel, somit definiert der erste im Empfänger gespeicherte Sender auch die Codierung, zu der die folgenden Sender gehören müssen.

Um zu prüfen, ob im Empfänger schon Sender und ihre Codierung gespeichert sind, die Stromspeisung des Empfängers abschalten, wieder speisen und die Blinkzahl der **grünen** Led 1 zählen.

1 Blinken = Codierung **Flo**

2 Blinken = Codierung **O-Code** / **FloR** / **TTS**

3 Blinken = Codierung **Smilo**

5 Blinken = kein gespeicherter Sender

Die Sender können bei Anwendung einer der folgenden Verfahren gespeichert werden:

- **Modus I:** programmiert **alle Tasten**(*) des Senders in einem Mal, wobei jede Taste mit einem Relais, mit dem folgenden Plan verbunden wird: Taste **1** = Relais **1** / Taste **2** = Relais **2** / Taste **3** = Relais **3** / Taste **4** = Relais **4**.

Der “Modus I” programmiert jede Taste, um im Todmanmodus am jeweiligen Relais arbeiten zu können.

(*) **Anmerkung** – Wenn der Sender mehrere Codes hat – wie zum Beispiel die Modelle ON9, WM009C usw., die eine Tastatur aufweisen, die in Tastengruppen unterteilt ist, und jede Gruppe einen eigenen Code hat, als ob es sich um verschiedene Sender handeln würde – speichert das Verfahren im “Modus I” nur die Tasten, die einer Gruppe zugehören; um eine andere Gruppe zu speichern, wird das Verfahren wiederholt.

- **Modus II:** ermöglicht die Programmierung **einer einzelnen Taste** des Senders. Es ist möglich zu wählen, welcher Befehl unter den in der **Tabelle A** verfügbaren programmiert werden soll.

Speicherung eines Senders in “Modus I”

01. Die Taste **P1** am Empfänger gedrückt halten, bis die grüne LED **L1** (nach ungefähr 4 Sekunden) aufleuchtet. Dann die Taste loslassen;
02. binnen 10 Sekunden am zu speichernden Sender eine beliebige Taste drücken und gedrückt halten, bis die grüne Led L1 am Empfänger einmal von insgesamt 3 Mal blinkt, wodurch die erfolgte Speicherung angezeigt wird.

Wenn am Ende dieser Blinkzahl ein anderer Sender im “Modus I” gespeichert werden soll, binnen 10 Sekunden

eine beliebige Taste dieses neuen Senders drücken.

Speicherung eines Senders in "Modus II"

01. In der **Tabelle A** die zu programmierende Funktion wählen (Bsp. "Funktion 8");
02. Im Empfänger die Taste **P1** gleich der Nummer wählen, die die gewählte Funktion identifiziert (in unserem Beispiel 8 Mal). Am Ende gibt die grüne Led **L1** eine kurze Blinkzahl ab, gleich der auf der Taste ausgeübten Druckzahl (in unserem Beispiel 8 mal kurzes Blinken);
03. Binnen 10 Sekunden am Sender die Taste gedrückt halten, die gespeichert werden soll, bis die grüne Led L1 des Empfängers 3 Mal lang blinkt, was die erfolgte Speicherung anzeigt.

Wenn am Ende dieser Blinkzahl mit derselben Funktion eine neue Taste (auch eines anderen Senders) gespeichert werden soll, muss diese neue Taste binnen 10 Sekunden gedrückt werden.

Tabelle A – Mit einer Taste des Senders zu verbindende Funktionen

Funktion 1: aktiviert das **Relais 1** im Todmanmodus;

Funktion 2: aktiviert das **Relais 2** im Todmanmodus;

Funktion 3: aktiviert das **Relais 3** im Todmanmodus;

Funktion 4: aktiviert das **Relais 4** im Todmanmodus;

Funktion 5: aktiviert das **Relais 1** im Modus On/Off;

Funktion 6: aktiviert das **Relais 2** im Modus On/Off;

Funktion 7: aktiviert das **Relais 3** im Modus On/Off;

Funktion 8: aktiviert das **Relais 4** im Modus On/Off;

Funktion 9 (Anmerkung 1): aktiviert das **Relais 1** und **2** um die Motoren in beiden Richtungen zu steuern (Rollläden oder Markisen)

Funktion 10 (Anmerkung 1): aktiviert das **Relais 3** und **4** um die Motoren in beiden Richtungen zu steuern (Rollläden oder Markisen)

Funktion 11 (Anmerkung 2): aktiviert das **Relais 1** über die im Timer 1 programmierte Zeit

Funktion 12 (Anmerkung 2): aktiviert das **Relais 3** über die im Timer 2 programmierte Zeit

Funktion 13 (Anmerkung 1): aktiviert das **Relais 1** und **2** um die Motoren in beiden Richtungen zu steuern (Jalousien)

Funktion 14 (Anmerkung 1): aktiviert das **Relais 3** und **4** um die Motoren in beiden Richtungen zu steuern (Jalousien)

Anmerkung 1 (Funktionen 9, 10, 13, 14)

Zur Speicherung dieser Funktion wird eine beliebige Taste des Senders gedrückt. Auf diese Weise speichert der Empfänger gleichzeitig die Tasten 1, 2, 3, (4) des Senders, indem sie mit den folgenden Befehlen konfiguriert werden: Taste **1** = **ANSTIEG** / Taste **2** = **STOP** / Taste **3** = **SENKEN** / (Taste **4** = **STOP**).

Zur Steuerung eines Motors in den beiden Gangrichtungen muss das Relais wie in **Abb. 5** gezeigt angeschlossen werden.

- **Für die Funktion 9 und 10:** Bei Anwendung des Empfängers werden bei jeder Übertragung des Befehls die Relais über die im Timer programmierte Zeit aktiviert: Timer 1 für die Relais 1 und 2; Timer 2 für die Relais 3 und 4 (zur Programmierung der Timer, siehe Kapitel 5.3).

- **Für die Funktion 13 und 14:** Bei Anwendung des Empfängers bleiben die Relais bei jeder Übertragung des Befehls aktiv, solange die Taste im Todmannmodus gedrückt bleibt. Wenn der Befehl länger als 3 Sekunden dauert, bleiben die Relais über die im Timer programmierte Zeit aktiv: Timer 1 für die Relais 1 und 2; Timer 2 für die Relais 3 und 4 (zur Programmierung der Timer, siehe Kapitel 5.3).

Anmerkung 2 (Funktionen 11, 12)

Bei Anwendung des Empfängers wird bei jeder Übertragung des Befehls das Relais über die im entsprechenden Timer programmierte Zeit aktiviert (zur Programmierung der Timers, siehe Kapitel 5.3). Vor dem Ablauf der Zeit muss zum erneuten Start des Timers ein neuer Befehl gegeben werden. Wenn der Timer dagegen vor dem Verfall der Zeit unterbrochen werden soll, wird ein neuer Befehl durch Drücken der Taste über mindestens 3 Sekunden gegeben.

Wenn während der Anwendung des Empfängers ein Relais mehrere Befehle aufeinander folgend erhält (zum Beispiel aus zwei Tasten, die im selben Relais gespeichert sind, aber unterschiedliche Funktionen aufweisen), führt der Empfänger den zuletzt übertragenen Befehl aus.

5.2 - SPEICHERN EINES NEUEN SENDERS BEI ANWENDUNG DES VERFAHRENS “IN DER NÄHE DES EMPFÄNGERS”

[man muss über einen schon gespeicherten Sender verfügen]

Es ist möglich, einen NEUEN Sender im Speicher des Empfängers zu speichern, ohne direkt die Taste dieses Empfängers zu betätigen, wobei einfach in seinem Empfangsbereich vorgegangen wird. Zur Ausführung dieses Verfahrens muss ein ALTER schon gespeicherter und funktionstüchtiger Sender vorliegen (im “Modus I” oder im “Modus II”). Das Verfahren ermöglicht dem NEUEN Sender, dieselben Einstellungen des ALTEN zu erhalten. **Anmerkung** – Wenn die Sender NiceOne alternativ zu diesem Verfahren genützt werden, kann die Speicherung mit dem “Befähigungscode” genützt werden (Bezug auf die Gebrauchsanleitung der Sender).

Hinweise für das Verfahren

- **Das Verfahren muss im Empfangsbereich des Empfängers ausgeführt werden (10-20 m vom Empfänger entfernt).**
- **Wenn der ALTE Sender im “Modus I” gespeichert ist, wird während des Verfahrens am Alten wie am Neuen Sender eine beliebige Taste gedrückt; wenn der ALTE Sender dagegen im “Modus II” gespeichert ist, wird während des Verfahrens im Alten Sender die Taste mit dem gewünschten Befehl und im Neuen Sender die Taste gedrückt, die mit diesem Befehl gespeichert werden soll.**
- **Es liegen zwei Verfahren vor: Sie können je nach Bedarf gewählt werden.**

Standardverfahren

01. Im NEUEN Sender, die Taste mindestens 5 Sekunden gedrückt halten... dann freigeben.
02. Im ALTEN Sender, die Taste 3 Mal drücken... dann freigeben.
03. Im NEUEN Sender, dieselbe Taste des Punkts 01 einmal drücken und freigeben.

Alternatives Verfahren

01. Im NEUEN Sender die Taste mindestens 3 Sekunden gedrückt halten... dann freigeben.
02. Im ALTEN Sender die Taste mindestens 3 Sekunden gedrückt halten, dann freigeben.
03. Im NEUEN Sender, dieselbe Taste des Punkts 01 mindestens 3 Sekunden gedrückt halten, dann freigeben.
04. Im ALTEN Sender, dieselbe Taste des Punkts 02 mindestens 3 Sekunden gedrückt halten.

5.3 - PROGRAMMIERUNG EINES TIMERS

Die "Timer 1" und "Timer 2" stellen die Zeitspanne dar, in der die Relais aktiv sind:

- **Timer 1 für Relais 1.** Dieser Timer entspricht der Betriebszeit der Relais 1 und 2, falls diese mit der Funktion 9, 11 oder 13 programmiert werden.
- **Timer 2 für Relais 3.** Dieser Timer entspricht der Betriebszeit der Relais 3 und 4, falls diese mit der Funktion 10, 12 oder 14 programmiert werden.

Werkseitig wird der Wert für die beiden Timer auf 120 Sekunden eingestellt. Dieser Wert kann mit dem folgenden "Selbsterlernungsverfahren" geändert werden:

01. Wenn das Relais aktiv ist, mit dem entsprechenden Befehl deaktivieren;
02. Den Dip switch 1 auf **ON** stellen (**Abb. 3-L**), um den Timer 1 oder den dip switch 2 (**Abb. 3-M**) für den Timer 2 zu programmieren: Die Led neben dem Dip switch leuchtet auf, womit die Aktivierung der Programmierungsphase angezeigt wird;
03. Je nach gewähltem Timer das gewünschte Relais aktivieren, indem die jeweilige Taste gedrückt wird: **ab diesem Moment beginnt die Zeitzählung**;
04. Nach dem Verlauf der gewünschten Zeit erneut die Taste drücken, um das Relais zu deaktivieren: Die soeben vergangene Zeit wurde gespeichert und ist nun der neue Wert des Timers;
05. Den genutzten Dip switch auf **OFF** stellen: Die Led neben dem Dip switch erlischt und der Empfänger kehrt in den normalen Betriebszustand zurück.

5.4 - LÖSCHEN DES SPEICHERS

• Vollständiges Löschen des Speichers

Um den ganzen Speicher des Empfängers oder alternativ nur die gespeicherten Sender zu löschen, wie folgt vorgehen:

01. Die Taste des Empfängers lang gedrückt halten und die Folge der Zustände beobachten, die die **grünen** Led annimmt:
nach ca. 4 Sekunden leuchtet sie auf...
nach ca. 4 Sekunden erlischt sie ...
nach ca. 4 Sekunden, **beginnt zu blinken.**
02. Nun:
– wird zum Löschen der gespeicherten Sender, die Taste des Empfängers **genau während des 3. Blinkens** der Led freigelassen;

– um den ganzen Speicher zu löschen (einschließlich Konfigurationen und Codierungsfamilie der Sender), die Taste **genau während des 5. Blinkens** der Led loslassen.

Diese Funktion kann auch mit den Programmiergeräten O-Box oder O-View ausgeführt werden.

• Löschen eines einzelnen Senders aus dem Speicher

Um nur einen Sender aus dem Empfängerspeicher zu löschen, wie folgend vorgehen:

01. Die Empfängertaste lang gedrückt halten...
02. Nachdem die **grüne** Led aufgeleuchtet hat, eine Taste(*) am Sender, der aus dem Speicher gelöscht werden soll, gedrückt halten, bis die LED des Empfängers in **grüner** Farbe 5 Mal schnell blinkt (= Löschen erfolgt). Nun werden die beiden Tasten freigegeben.

(*) **Anmerkung** – Wenn der Sender im “Modus I” gespeichert wird, wird eine beliebige Taste gedrückt; wenn er dagegen im “Modus II” gespeichert ist, wird die gespeicherte Taste gedrückt; wenn mehrere gespeicherte Tasten vorliegen, das Verfahren für jede einzelne Taste ausführen.

Diese Funktion kann auch mit den Programmiergeräten O-Box oder O-View ausgeführt werden.

6 – FORTGESCHRITTENE PROGRAMMIERUNG

HINWEIS – Einige in diesem Kapitel beschriebene Programmierungen können nur ausgeführt werden, wenn der Empfänger mit dem System NiceOpera zugehörigen Vorrichtungen verbunden ist; außerdem fordern sie die Anwendung der Programmierungseinheiten Obox und Oview.

Der Empfänger besitzt weitere, nicht in diesem Handbuch beschriebene Funktionen, die die Erhöhung der Leistungen, des Sicherheitsniveaus und der Anwendungseinfachheit der Automatisierung ermöglichen. Für weitere Informationen über die verfügbaren Funktionen, sehen Sie bitte im allgemeinen Handbuchs des Systems “NiceOpera System Book” oder in der Gebrauchsanleitung der Obox oder der Oview nach.

• EINGABE EINES PASSWORDS IM EMPFÄNGER

[mit Obox (NUR FÜR OX4T) und Oview]

Mit dieser Funktion können alle im Empfänger programmierten Funktionen, inklusive die Funktionen der Taste und der LED, geschützt werden. Die Funktion aktiviert sich, indem man im Empfänger ein **Password** bzw. eine vom Installateur bestimmte Nummer mit max. 10 Ziffern eingibt.

Wenn diese Funktion aktiviert ist, muss das Passwort vor der Durchführung einer Programmierung oder Wartung des Empfängers eingegeben werden, damit der Empfänger entsperrt wird.

• **AKTIVIERUNG (oder Deaktivierung) DES EMPFÄNGERS BEI SPEICHERUNG EINES SENDERS**

[con Obox (NUR FÜR OX4T)]

Diese Funktion ermöglicht die Aktivierung (oder Deaktivierung) im Empfänger, einen Sender mit dem Verfahren "in der Nähe des Empfängers" (Kapitel 5, Abschnitt 5.2) und/oder mit dem Verfahren "Aktivierungscode" im Sender der Serie NiceOne zu speichern.

Die Funktion ist nützlich, um zum Beispiel die unerwünschte Speicherung von fremden Sendern zu vermeiden. Zur Aktivierung oder Deaktivierung, wie folgt vorgehen:

- 01.** Den Empfänger durch Drücken der Taste P1 speisen und abwarten, ob die Led L1 zuerst die Meldungen laut Kapitel 5.1 überträgt, ob sie 2 Mal schnell blinkt (**orange**) (= aktiviertes Verfahren); und ob sie schließlich mit einer Farbe den aktuellen Befähigungszustand anzeigt. Dann die Taste freigeben.
- 02.** Innerhalb von 5 Sekunden mehrmals auf die Empfängertaste drücken, um eine der folgenden Funktionen auszuwählen
 - LED AUS = Keine Sperre aktiviert
 - LED GRÜN = Sperre der Speicherung "Annäherung"
 - LED ROT = Sperre der Speicherung mit "Befähigungscode"
 - LED ORANGEFARBIG = Sperre beider Speicherverfahren ("Annäherung" und "Befähigungscode")
- 03.** Nach Auswahl der Funktion wird binnen 5 Sekunden eine beliebige Taste an einem schon im Empfänger gespeicherten Sender gedrückt, um die soeben gewählte Funktion zu speichern.

• **AKTIVIERUNG (oder Deaktivierung) DES EMPFÄNGERS ZUR SPEICHERUNG NEUER SENDER DURCH DIE "ZERTIFIKATNUMMER" DES EMPFÄNGERS**

[mit Obox (NUR FÜR OX4T)]

Diese Funktion ermöglicht eine Aktivierung (oder Deaktivierung) im Empfänger, einen Sender durch eine Zertifikatnummer des Empfängers zu speichern.

Für weitere Informationen über die Anwendung des Zertifikats, lesen Sie bitte die Gebrauchsanleitung des Senders und das Handbuch NiceOpera System Book.

• **AKTIVIERUNG (oder Deaktivierung) der AKTUALISIERUNG DES "PRIORITÄTSNIVEAUS" DES SENDERS**

[mit Obox (NUR FÜR OX4T)]

Diese Funktion ermöglicht eine Aktivierung (oder Deaktivierung) im Empfänger, ein höheres Prioritätsniveau eines schon gespeicherten Senders zu aktualisieren, der zur Serie NiceOne gehört. Die Funktion wurde werkseitig aktiviert. Für weitere Informationen über die Verwaltung der Priorität, sehen Sie bitte im Handbuch der Obox und im Handbuch NiceOpera System Book nach.

• **AKTIVIERUNG (oder Deaktivierung) des EMPFANGS DER NICHT ORIGINALEN "IDENTITÄTSCODES" DER SENDER**

[mit Obox (NUR FÜR OX4T)]

Diese Funktion ermöglicht die Aktivierung (oder Deaktivierung) im Empfänger, den aus einem Sender erhaltenen Befehl mit einem Identitätscode anzunehmen, der gegenüber dem werk-

seitig eingestellten geändert wurde. Die Funktion wurde werkseitig aktiviert. Für weitere Informationen über die Änderung der Identitätscodes der Sender sehen Sie bitte im Handbuch der Obox nach.

- **AKTIVIERUNG (oder Deaktivierung) der VERWALTUNG DES ROLLING CODES (RND)**

[mit Obox (NUR FÜR OX4T) und Oview]

Diese Funktion ermöglicht die Aktivierung (oder Deaktivierung) des Empfängers zur Verwaltung des variablen Teils (RND oder rolling code) eines aus einem Sender übertragenen Identitätscodes. Wenn die Funktion aktiviert ist, erkennt der Empfänger einen Code ("rolling code"), als ob es sich um einen "festen" Code handeln würde, wobei der variable Teil ignoriert wird. Die Funktion ist werkseitig deaktiviert.

- **AKTIVIERUNG (oder Deaktivierung) der FUNKTION "REPEATER"**

[mit Obox (NUR FÜR OX4T)]

Diese Funktion ermöglicht die Aktivierung (oder Deaktivierung) im Empfänger der "Wiederholungsfunktion" des erhaltenen Befehls per Funk, der an einen zweiten Empfänger gesendet wird. Bei Anwendung von zwei Empfängern, von denen einer die aktivierte Funktion "Repeater" aufweist, kann eine Automatisierung von einer Distanz gesteuert werden, die über der Distanz liegt, die normalerweise durch das normale Empfangs-/Sendesystem gedeckt wird.

Die Funktion ist nur verfügbar, wenn eine Verbindung der Empfänger mit Sendern mit der Codierung "**O-Code**" vorliegt. Die Funktion ist werkseitig deaktiviert. Um die Funktion zu erhalten, muss sie im "Wiederholungsempfänger" wie in den gewünschten Sendern aktiviert werden.

- **AKTIVIERUNG (oder Deaktivierung) DER VERWALTUNG DER FREIGABE DER TASTEN DES SENDERS**

[mit Obox (NUR FÜR OX4T)]

Diese Funktion ermöglicht die Aktivierung (oder Deaktivierung) im Empfänger des Synchronismus zwischen der Freigabe der Taste eines Senders mit Codierung "**O-Code**" und der Reaktion der Automatisierung auf diesen Vorgang. Bei der Übertragung eines Befehls und nach Freigabe der Taste stoppt die Bewegung normalerweise nicht sofort, sondern erst nach einem kurzen Moment (eine sehr kurze, voreingestellte Zeitspanne). Die Aktivierung dieser Funktion ermöglicht dagegen die sofortige Reaktion der Automatisierung auf die Freigabe der Taste. Die Funktion wurde werkseitig deaktiviert.

- **AKTIVIERUNG (oder Deaktivierung) DER ÜBERTRAGUNG DER BEFEHLE IM NETZ "BUS T4"**

[mit Oview]

Diese Funktion dient zur Aktivierung (oder Deaktivierung) der Möglichkeit, im Empfänger Funkcodes über das Kabel "Bus-T4" zu erhalten und/oder zu senden. In den Anlagen mit dieser Anschlussart besteht die Notwendigkeit, die Automatisierung von einer höheren Distanz aus zu steuern, wie normalerweise vom Empfangs-/Übertragungssystem vorgesehen ist. Diese Funktion kann in den Empfängern (mindestens 2) aktiviert werden, um die Reichweite der Funkübertragung zu erhöhen; in diesem Fall erhält der erste Empfänger den Befehl "per Funk" und überträgt ihn über das Kabel Bus an den Empfänger (in dem der Code des Senders gespeichert ist, von dem der Befehl ausgegangen ist). Die Funktion ist werkseitig deaktiviert.

- **AUSFÜHRUNG DES AUS SENDERN ÜBER-TRAGENEN BEFEHLS, DIE ZU EINER “ZUGEHÖRIGKEITSGRUPPE” GEHÖREN**

[mit Obox (NUR FÜR OX4T)]

Bei der Programmierung der Sender mit Obox kann jeder Sender in eine oder mehrere “Zugehörigkeitsgruppen” (bis zu 4 Gruppen) eingefügt werden.

Wenn der Empfänger einen Befehl erhält, kontrolliert er zuerst, welcher Gruppe dieser Sender zugehört; wenn seine Zugehörigkeitsgruppe in diesem Moment aktiviert ist, steuert der Empfänger die Ausgänge, ansonsten wird der Befehl gesperrt und mit einem **orangefarbenen** Blinken der Led angezeigt.

Die Bildung der Gruppen wird mit der Obox vorgenommen, während die Anwendung der Gruppen von anderen Vorrichtungen überwacht wird, wie zum Beispiel die Oview. Insbesondere kann diese die Funktion einer Sendergruppe mit bestimmten Zeitspannen aktivieren (oder deaktivieren).

ENTSORGUNG DES PRODUKTES

Das vorliegende Produkt ist Teil der Automatisierung und muss daher zusammen mit derselben entsorgt werden.

Wie die Installationsarbeiten muss auch die Abrüstung am Ende der Lebensdauer dieses Produktes von Fachpersonal ausgeführt werden.

Dieses Produkt besteht aus verschiedenen Stoffen, von denen einige recycled werden können, andere müssen hingegen entsorgt werden. Informieren Sie sich über die Recycling- oder Entsorgungssysteme für dieses Produkt, die von den auf Ihrem Gebiet gültigen Verordnungen vorgesehen sind.

Achtung! – bestimmte Teile des Produktes können Schadstoffe oder gefährliche Substanzen enthalten, die, falls in die Umwelt gegeben, schädliche Wirkungen auf die Umwelt und die menschliche Gesundheit haben könnten.

Wie durch das Symbol seitlich angegeben, ist es verboten, dieses Produkt zum Haushaltsmüll zu geben. Daher differenziert nach den Methoden entsorgen, die von den auf Ihrem Gebiet gültigen Verordnungen vorgesehen sind, oder das Produkt dem Verkäufer beim Kauf eines neuen, gleichwertigen Produktes zurückgeben.

Achtung! – die örtlichen Verordnungen können schwere Strafen im Fall einer widerrechtlichen Entsorgung dieses Produktes vorsehen.



Tabella B

MELDUNGEN DURCH DIE EMPFÄNGER-LED

— Langes Blinken / Farbe GRÜN —

Beim Einschalten:

- 1 * = Benutzte Codierung: "Flo"
- 2 * = Benutzte Codierung: "O-Code"/"FloR"/"TTS"
- 3 * = Benutzte Codierung: "Smilo"
- 5 * = Kein Sender gespeichert

Während des Betriebs.

- 1 * = Bedeutet, dass der empfangene Code nicht gespeichert ist
- 1 * = Bedeutet während der Programmierung, dass der Code bereits gespeichert ist
- 3 * = Speicherung des Codes
- 5 * = Speicher gelöscht
- 6 * = Bedeutet während der Programmierung, dass der Code keine Speichergenehmigung hat
- 8 * = Speicher voll

— Kurzes Blinken / Farbe GRÜN —

- 1 * = "Bescheinigung" ungültig für die Speicherung
- 2 * = Code nicht speicherbar, da er die "Bescheinigung" überträgt
- 3 * = Bedeutet während der Programmierung, dass der

Code neu synchronisiert wurde

- 4 * = Ausgang im "Modus II" - kann an der Steuerung nicht betrieben werden
- 5 * = Bedeutet während des Löschens, dass der Code gelöscht wurde
- 5 * = "Bescheinigung" mit einer höheren Priorität als zulässig
- 6 * = Code nicht synchronisiert
- 6 * = Code kann wegen "falschem Schlüssel" nicht gespeichert werden

— Langes Blinken / Farbe ROT —

- 1 * = Sperre des Nicht-Original-Codes
- 2 * = Code mit einer niedrigeren Priorität als zulässig

— Kurzes Blinken / Farbe ROT —

- 1 * = Sperre der "Fernprogrammierung"
- 1 * = Sperre der Speicherung mit "Bescheinigung"
- 2 * = Speichersperre (PIN eingeben)

— Langes Blinken / Farbe ORANGE —

- 1 * = Bedeutet Code gespeichert, aber nicht in der derzeit befähigten "Gruppe"

— Kurzes Blinken / Farbe ORANGE —

- 2 * = Bedeutet Aktivierung der Programmierung der Sperren (beim Einschalten)

TECHNISCHE MERKMALE DES PRODUKTS

• Versorgung:	110 ÷ 240 Vac 50/60 Hz
• Aufgenommener Höchststrom:	80 mA
• Codierungen:	O-Code / TTS / FloR (rolling code); entweder Smilo (rolling code) oder Flo.
• Frequenz:	433.92 MHz
• Impedanz Antenne:	52 Ohm
• Empfindlichkeit:	besser als 0,5µV bei positivem Signal
• Reichweite:	auf 200 m im Freien und 35 m innerhalb von Gebäuden geschätzt
• Abgestrahlte Leistung (nur für OX4T):	+2dBm
• Anzahl speicherbare Sender:	(max.) 1024
• Ausgänge:	4 Relais mit Kontakten NA und NC, potentialfrei
• Kapazität der Kontakte:	5A - 250V
• Höchststrom BusT4:	200 mA
• Zeit der Timer:	von 2 Sekunden bis 540 Minuten programmierbar
• Schutzart:	IP44 (bei unversehrtem Behälter)
• Betriebstemperatur:	-20 ÷ 55 °C
• Abmessungen/Gewicht:	128 x 112 x 43 mm / 260 g

Anmerkungen zu den technischen Merkmalen des Produkts:

- Die Betriebsdistanz zwischen Sendern und Empfängern (Reichweite) wird stark von anderen Vorrichtungen beeinflusst, die in der Umgebung und mit derselben Frequenz wirken (zum Beispiel: Alarmsysteme, Kopfhörer usw.). In diesem Fall kann Nice keine Garantie über die reelle Reichweite ihrer Vorrichtungen geben.
- Alle angegebenen technischen Merkmale beziehen sich auf eine Temperatur von 20°C (± 5°C).
- Nice S.p.a. behält sich das Recht vor, jederzeit als nötig betrachtete Änderungen am Produkt vorzunehmen, wobei Funktionalitäten und Einsatzzweck beibehalten werden

EG-KONFORMITÄTSERKLÄRUNG

Erklärung in Übereinstimmung mit der Richtlinie 1999/5/EG

Anmerkung – In der vorliegenden Konformitätserklärung ist der Inhalt der einzelnen Konformitätserklärungen der einzelnen genannten Produkte gesammelt; sie ist am Ausgabedatum des vorliegenden Handbuchs aktualisiert und der Text wurde aus redaktionellen Gründen angepasst. Eine Kopie der Originalerklärung eines jeden Produktes kann bei Nice S.p.a. (TV, Italien) angefordert werden.

Nummer der Erklärung: 283/OX4

Überarbeitung: 2

Sprache: DE

Der unterzeichnende Luigi Paro, in seiner Funktion als Geschäftsführer, erklärt unter eigener Verantwortung, dass das Produkt:

Name des Herstellers: NICE s.p.a.

Adresse: Via Pezza Alta 13, Z.I. Rustignè, 31046 Oderzo (TV) Italien

Typ: Empfänger/Sender 433,92MHz zur Fernsteuerung von Türen, Toren, Markisen, Rollläden, Lichtern und ähnlichen Anwendungen

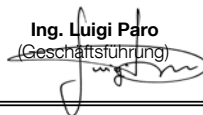
Modelle: OX4, OX4T

Zubehör:

mit den Vorschriften der folgenden gemeinschaftlichen Richtlinien konform ist:

- RICHTLINIE 1999/5/EG DES EUROPÄISCHEN-PARLAMENTS UND DES RATES vom 9. März 1999 über Funkgeräte und Terminals für das Fernmeldewesen und die gegenseitige Anerkennung ihrer Konformität gemäß folgender harmonisierter Normen:
 - Gesundheitsschutz (Art. 3 (1)(a)): EN 50371:2002
 - Elektrische Sicherheit (Art. 3(1)(a)): EN 60950-1:2006 + A11:2009
 - Elektromagnetische Verträglichkeit (Art. 3(1)(b)): EN 301 489-1 V1.8.1:2008, EN 301 489-3 V1.4.1:2002
 - Funkspektrum (Art. 3(2)): EN 300 220-2 V2.3.1:2010

Oderzo, 31. Mai 2012

Ing. Luigi Paro
(Geschäftsführung)


ZALECENIA

PRACUJĄC ZACHOWAJ ZASADY BEZPIECZEŃSTWA

UWAGA! – Dla bezpieczeństwa osób ważne jest przestrzeganie tych instrukcji.

UWAGA! – Ważne informacje dotyczące bezpieczeństwa: przechowywać tę instrukcję obsługi.

UWAGA! – Wszystkie operacje instalacji, podłączenia, programowania i konserwacji urządzenia muszą być wykonywane wyłącznie przez wykwalifikowanego i kompetentnego technika!

Przestrzegaj następujących zaleceń:

- nie wykonuj modyfikacji żadnej części urządzenia, jeżeli nie są one przewidziane w tej instrukcji. Operacje nieautoryzowane mogą być źródłem niebezpieczeństwa i nieprawidłowego funkcjonowania urządzenia. Producent zrzeka się wszelkiej odpowiedzialności za szkody wynikające z używania produktów modyfikowanych samowolnie.
- Do powierzchniowego czyszczenia urządzenia należy używać miękkiej i lekko wilgotnej ściereczki (nie mokrej!). **Ważne** – Nie stosować płynów zawierających alkohol, benzen,

rozpuszczalników lub innych substancji łatwopalnych. Używanie tego typu środków może powodować uszkodzenie urządzenia.

- Starannie przechowywać tę instrukcję w celu ułatwienia ewentualnych przyszłych operacji programowania lub konserwacji urządzenia.
- Opakowanie urządzenia należy zlikwidować zgodnie z odpowiednimi przepisami obowiązującymi na danym terytorium.

1 – OPIS URZĄDZENIA I JEGO PRZEZNACZENIE

Odbiornik **OX4 / OX4T** jest częścią Systemu NiceOpera produkowanego przez firmę Nice. Jest on przeznaczony do zainstalowania w instalacjach służących do automatyzacji bram, drzwi garażowych, szlabanów drogowych, markiz, żaluzji, świetlików oraz do sterowania światła i wszelkich obwodów elektrycznych.

Każde inne zastosowanie jest niewłaściwe i zabronione! Producent nie odpowiada za szkody wynikające z niewłaściwego używania produktu, odmiennego od przewidzianego w tej instrukcji.

2 – PARAMETRY URZĄDZENIA

- Urządzenie posiada 4 przekaźniki ze stykiem elektrycznym zwykle otwartym (NO) i stykiem zwykle zwartym (NZ), które są przeznaczone do zastosowania w elektrycznych obwodach mocy.
- Posiada 3 przełączniki dip-switch: 2 z nich służą do programowania regulatorów czasowych i 1 do przyszłych zastosowań.
- Dysponuje 14 funkcjami, które można powiązać z przekaź-

nikami wyjściowymi.

- Posiada pamięć, która może pomieścić kody 1024 nadajników.
- Jest kompatybilny z kodowaniem radiowym "O-Code" / "FloR" / "TTS", "Smilo" lub "Flo".

(TYLKO DO OX4T) – Jest też rodzajem nadajnika, który umożliwia przekazywanie uzyskanego polecenia do innego odbiornika (funkcja "Repeater"), zwiększając w ten sposób zasięg działania systemu nadajnik-odbiornik.

(TYLKO DO OX4T) – Może być łączony drogą radiową z urządzeniem do programowania Obox za pośrednictwem wbudowanego nadajnika lub drogą kablową z urządzeniem do programowania Oview. Te urządzenia ułatwiają programowanie, zarządzanie wczytywanymi kodami, diagnozy oraz inne operacje.

(TYLKO DO OX4T) – Posiada osobisty numer identyfikacyjny zwany "Certyfikatem", który jest dostarczony w zaplombowanym kuponie w opakowaniu produktu. Ten certyfikat umożliwia dostęp do wielu operacji, takich jak na przykład wczytywanie nowych nadajników, bez konieczności bezpośredniego kontaktu z odbiornikiem. **Uwaga!** – Zaleca się przechowywać certyfikat w bezpiecznym miejscu, ponieważ może on być wykorzystywany przez osoby niepowołane do uzyskiwania dostępu do danych, znajdujących się w odbiorniku w trybie "wireless" (połączenie bezprzewodowe), chyba, że zostaną w nim zaprogramowane dodatkowe zabezpieczenia, takie jak hasła zabezpieczające.

Co to jest "NiceOpera"

Nice Opera jest systemem składającym się z różnych urządzeń, stosowanych zwykle w instalacjach przeznaczonych do automatyzacji bram, drzwi garażowych i szlabanów drogowych, które są w stanie porozumiewać się ze sobą i wymieniać się danymi drogą radiową, za pomocą kodowania "O-Code" oraz drogą kablową za pomocą protokołu "BusT4", z całkowitym zespoleniem tych dwóch systemów.

W skład systemu "NiceOpera" wchodzi następujące urządzenia:

- **nadajniki z serii NiceOne;**
- **odbiorniki z serii NiceOne;**
- **siłowniki z centralą sterującą typu "BusT4".**

Urządzenia te są uzupełniane przez następujący sprzęt komputerowy i oprogramowanie:

- **urządzenie do programowania Obox wraz ze specjalnym oprogramowaniem przeznaczonym dla nadajników i odbiorników;**
- **urządzenie do programowania Oview**

przeznaczone dla centrali sterujących i odbiorników. Razem z Oview mogą być również używane następujące urządzenia:

- moduł Bluetooth®wraz ze specjalnym oprogramowaniem przeznaczonym do przekazywania danych pomiędzy Oview i komputerem osobistym lub palmtopem;
- moduł Gsm®wraz ze specjalnym oprogramowaniem przeznaczonym do przekazywania danych drogą internetową pomiędzy Oview i komputerem osobistym lub palmtopem.

Wraz z modułem Gsm®można używać również smartphona i zwykły telefon komórkowy: z ich pomocą można wysyłać polecenia do automatu poprzez telefonowanie lub wysyłanie wiadomości sms; dodatkowo z pomocą smartphona wyposażonego w system operacyjny Windows®Mobile jest również możliwe używanie oprogramowania “Oview software suite”.

3 – INSTALOWANIE URZĄDZENIA

01. Zdjąć górną pokrywę odbiornika (rys. 1).
02. Wykonać w oznaczonym na obudowie miejscu otwory, niezbędne do ułożenia przewodów elektrycznych oraz otwory umożliwiające zamocowanie odbiornika w płaszczyźnie pionowej. **Uwaga!** – **Przedsięwzięć odpowiednie środki ostrożności w celu zagwarantowania stopnia zabezpieczenia IP, wymaganego dla tego typu instalacji. W szczególności należy przewidzieć zamontowanie przepustów kablowych (niedostarczone w opakowaniu) w celu zagwarantowania zabezpieczenia przewodów zasilających i sterujących przed naprężeniem lub skręceniem.**
03. Przymocować obudowę odbiornika do ściany (rys. 2). **Uwaga!** – **Zamontować odbiornik w taki sposób, aby przewody wystawały z niego tylko i wyłącznie od dołu.**

4 – PODŁĄCZENIA ELEKTRYCZNE

Na rys. 3 przedstawione są zaciski i wtyczki, które należy wykorzystać podczas wykonywania podłączeń:

- (A) do podłączenia zasilania elektrycznego;
- (B) do podłączenia anteny;
- (C i D) do podłączenia styków 4 przekaźników;
- (E) do podłączenia Obox;
- (F) do podłączenia Oview i przewodu “BusT4”.

Każdy przekaźnik jest wyposażony w 1 styk wspólny (C), 1 styk w stanie spoczynku zawsze otwarty (NO) oraz 1 styk w stanie spoczynku zawsze zwarty (NZ); wszystkie te styki są stykami bezpotencjałowymi.

Styki 4 przekaźników są izolowane podwójnie w stosunku do

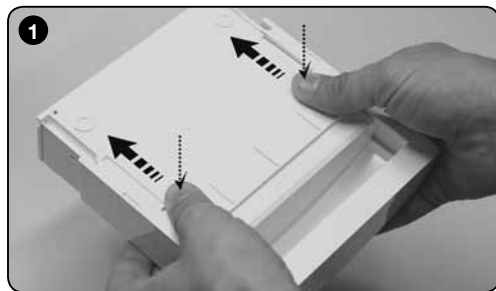
pozostalej części obwodu odbiornika, w ten sam sposób są również izolowane styki znajdujące się pomiędzy przekaźnikami 1 i 2 oraz pomiędzy przekaźnikami 3 i 4.

Podwójna izolacja umożliwia mieszane zastosowanie styków w obwodach podłączonych do niskiego napięcia lub w obwodach podłączonych do napięcia sieci, posiadających następujące możliwości:

- używanie **wszystkich** styków w obwodach elektrycznych podłączonych do napięcia sieci;
- używanie **wszystkich** styków w obwodach elektrycznych podłączonych do niskiego napięcia;
- używanie przekaźników **1 i 2** (lub **3 i 4**) w obwodach elektrycznych podłączonych do napięcia sieci oraz przekaźników **3 i 4** (lub **1 i 2**) w obwodach elektrycznych podłączonych do niskiego napięcia.

Schematy umożliwiające podłączenie przekaźników

Na **rys. 4** przedstawiony jest schemat podłączenia przekaź-

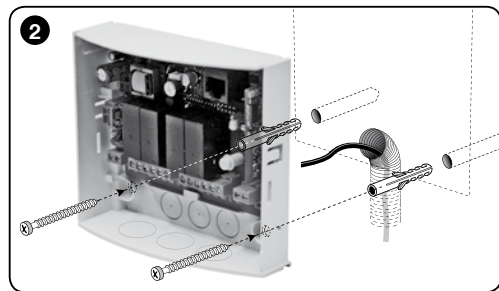


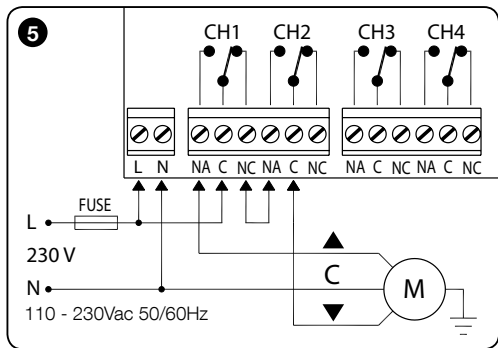
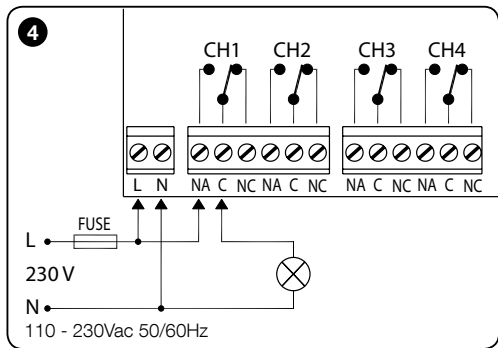
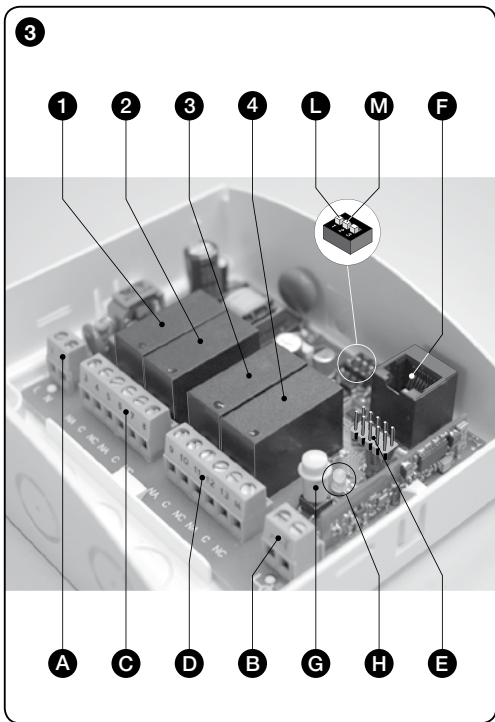
ników do zwykłego obwodu elektrycznego (silnik, lampa, itp.) zasilanego napięciem pobieranym z sieci.

Na **rys. 5** przedstawiony jest schemat podłączenia przekaźników do silnika pracującego w dwóch kierunkach uchu (markizy, żaluzje, itp.).

Zalecenia dotyczące podłączenia anteny

- Przy podłączaniu anteny znajdującej się na wyposażeniu urządzenia nie należy odcinać dostarczonego przewodu. Ułożyć przewód w linii prostej na całej jego długości, nie zaginać przewodu.
- Jeżeli odbiornik zostanie zamontowany w niekorzystnym położeniu, a sygnał radiowy będzie słaby, aby poprawić jakość odbioru zaleca się wymienić antenę znajdującą się na wyposażeniu urządzenia i wykorzystać antenę zewnętrzną (mod. ABF lub ABFKIT). Nową antenę należy umieścić najwyżej jak tylko jest to możliwe, nad ewentualnymi konstrukcjami metalowymi lub żelbetonowymi, które znajdują się w okolicy.





5 – PROGRAMOWANIE

Zalecenia:

Dla programowania niektórych funkcji, opisanych w tym rozdziale, wykorzystywany jest przycisk **P1** oraz dioda **L1** (rys. **3-G/H**) odbiornika.

Podczas programowania dioda wykonuje określoną ilość błysków, o określonym czasie trwania i specyficznym kolorze (zielony, czerwony lub pomarańczowy), wskazując w ten sposób stan wykonywanych operacji. Aby poznać znaczenie tych sygnalizacji należy przejrzeć **Tabełę B**, zamieszczoną na końcu instrukcji.

Pozostałe funkcje mogą być programowane wyłącznie z zastosowaniem urządzeń Obox lub Oview należących do Systemu NiceOpera.

5.1 - WCZYTYWANIE NADAJNIKÓW

Do odbiornika można wczytać do 1024 nadajników. Jest on kompatybilny z kodowaniem radiowym **“O-Code”** / **“FloR”** / **“TTS”**, **“Smilo”** lub **“Flo”**.

Uwaga! – te trzy grupy kodowań nie są kompatybilne ze sobą; dlatego też pierwszy wczytany do odbiornika nadajnik określa również kodowanie, do którego muszą należeć następane wczytywane nadajniki.

Aby dowiedzieć się, czy do odbiornika zostały wcześniej wczytane jakiegokolwiek nadajniki i poznać typ kodowania należy odłączyć zasilanie elektryczne od odbiornika, ponownie je podłączyć i policzyć ilość błysków koloru **zielonego**, które zostaną wykonane przez diodę L1:

1 błysk = kodowanie **Flo**

2 błyski = kodowanie **O-Code / FloR / TTS**

3 błyski = kodowanie **Smilo**

5 błysków = nie został wczytany żaden nadajnik

Nadajniki mogą być wczytywane z zastosowaniem jednej z niżej opisanych procedur:

• **Procedura Tryb I:** programowanie **wszystkich przycisków**(*) nadajnika za jednym razem, z przypisaniem każdego przycisku do jednego przełącznika, w oparciu o następujący schemat: przycisk **1** = przełącznik **1** / przycisk **2** = przełącznik **2** / przycisk **3** = przełącznik **3** / przycisk **4** = przełącznik **4**.

“Tryb I” umożliwi zaprogramowanie każdego przycisku do wykonywania operacji na odpowiednim przełączniku w “obecności użytkownika”.

(*) **Uwaga** – Jeżeli nadajnik posiada kilka kodów – jak na przykład modele ON9, WM009C itp., przyciski znajdujące się na klawiaturze są podzielone na trzy grupy. Każda grupa przycisków posiada własny kod, podobnie jak w przypadku różnych nadajników – podczas wykonywania procedury “Tryb I” wczytywane są tylko te przyciski, które należą do jednej grupy; aby wczytać nową grupę przycisków należy powtórzyć procedurę.

• **Procedura Tryb II:** programowanie **pojedynczego przycisku** nadajnika i przyłączenie go do określonej funkcji, wybranej spośród funkcji zamieszczonych w **Tabeli A**.

Wczytywanie nadajnika w “Trybie I”

01. Wcisnąć i przytrzymać przycisk **P1** na odbiorniku, dopóki nie zaświeci się zielona dioda **L1** (po około 4 sekundach) i następnie zwolnić przycisk;
02. Wcisnąć i przytrzymać przez 10 sekund dowolny przycisk na wczytywanym nadajniku, dopóki zielona dioda L1 na odbiorniku nie wykona pierwszego z 3 błysków, które sygnalizują wczytanie, po czym puścić przycisk nadajnika.

Jeżeli po zakończeniu migotania zamierza się wczytać w “Trybie I” jeszcze jeden nadajnik, należy wcisnąć w ciąg-

gu 10 sekund dowolny przycisk, znajdujący się na tym nadajniku.

Wczytywanie nadajnika w “Trybie II”

01. Wybrać z **Tabeli A** funkcję, którą zamierza się zaprogramować (np. “Funkcja 8”);
02. Wcisnąć na odbiorniku przycisk **P1** tę samą ilość razy, która odpowiada numerowi wybranej wstępnie Funkcji (w naszym przypadku - 8 razy). Po zakończeniu tej operacji zielona dioda **L1** będzie migotać tyle razy, ile razy został wciśnięty przycisk (w naszym przykładzie – seria 8 krótkich błysków);
03. Wcisnąć i przytrzymać wciśnięty na nadajniku w ciągu 10 sekund ten przycisk, który zamierza się wczytać, dopóki zielona dioda L1 znajdująca się na odbiorniku nie wykona pierwszego z 3 długich błysków, które sygnalizują wczytanie, po czym puścić przycisk nadajnika.

Jeżeli po zakończeniu migotania zamierza się wczytać nowy przycisk dla tej samej funkcji (znajdujący się na tym samym, lub na innym nadajniku), należy wcisnąć w ciągu 10 sekund ten przycisk.

Tabela A – Funkcje, które można przypisać do przycisku nadajnika

Funkcja 1: uaktywnienie **przełącznika 1** w trybie ręcznym;

Funkcja 2: uaktywnienie **przełącznika 2** w trybie ręcznym;

Funkcja 3: uaktywnienie **przełącznika 3** w trybie ręcznym;

Funkcja 4: uaktywnienie **przełącznika 4** w trybie ręcznym;

Funkcja 5: uaktywnienie **przełącznika 1** w trybie On/Off;

Funkcja 6: uaktywnienie **przełącznika 2** w trybie On/Off;

Funkcja 7: uaktywnienie **przełącznika 3** w trybie On/Off;

Funkcja 8: uaktywnienie **przełącznika 4** w trybie On/Off;

Funkcja 9 (uwaga 1): uaktywnienie **przełączników 1 i 2** do sterowania silnikami funkcjonującymi w obu kierunkach (żaluzje lub markizy)

Funkcja 10 (uwaga 1): uaktywnienie **przełączników 3 i 4** do sterowania silnikami funkcjonującymi w obu kierunkach (żaluzje lub markizy)

Funkcja 11 (uwaga 2): uaktywnienie **przełącznika 1** w czasie zaprogramowanym dla “regulatora czasowego 1”

Funkcja 12 (uwaga 2): uaktywnienie **przełącznika 3** w czasie zaprogramowanym dla “regulatora czasowego 2”

Funkcja 13 (uwaga 1): uaktywnienie **przełączników 1 i 2** do sterowania silnikami funkcjonującymi w obu kierunkach (żaluzje)

Funkcja 14 (uwaga 1): uaktywnienie **przełączników 3 i 4** do sterowania silnikami funkcjonującymi w obu kierunkach (żaluzje)

Uwaga 1 (Funkcje 9, 10, 13, 14)

Aby wczytać te funkcje należy wcisnąć dowolny przycisk na nadajniku. W tym trybie odbiornik wczytuje jednocześnie przyciski 1, 2, 3, (4) nadajnika i konfiguruje je z następującymi poleceniami: Przycisk **1** = **PODNOŻENIE** / Przycisk **2** = **STOP** / Przycisk **3** = **ZAMYKANIE** / (Przycisk **4** = **STOP**). Aby umożliwić sterowanie silnika w obu kierunkach ruchu należy podłączyć przełącznik jak pokazano na **rys. 5**.

- **Dla Funkcji 9 i 10:** po każdym wysłaniu polecenia z nadajnika, następuje uaktywnienie przekaźników przez okres czasu, który został zaprogramowany w regulatorze czasowym: Regulator czasowy 1 dla przekaźników 1 i 2; regulator czasowy 2 dla przekaźników 3 i 4 (aby zaprogramować regulatory czasowe należy przeczytać rozdział 5.3).
- **Dla Funkcji 13 i 14:** po każdym wysłaniu polecenia z nadajnika, przekaźniki pozostaną nadal aktywne, dopóki przycisk pozostanie wciśnięty”(tryb ręczny” sterowania). Jednakże, jeśli polecenie trwa dłużej niż 3 sekundy, przekaźniki pozostaną aktywne przez okres czasu zaprogramowany w regulatorze czasowym: regulator czasowy 1 dla przekaźników 1 i 2; regulator czasowy 2 dla przekaźników 3 i 4 (aby zaprogramować regulatory czasowe należy przeczytać rozdział 5.3).

Uwaga 2 (Funkcje 11, 12)

Po każdym wysłaniu polecenia z nadajnika, następuje uaktywnienie przekaźnika przez okres czasu zaprogramowany w odpowiednim regulatorze czasowym, (aby zaprogramować regulatory czasowe należy przeczytać rozdział 5.3). Aby wznowić funkcjonowanie regulatora czasowego przed upłynięciem zaprogramowanego czasu wystarczy wydać nowe polecenie. Jeżeli natomiast zamierza się przerwać funkcjonowanie regulatora przed upłynięciem zaprogramowanego czasu należy wydać nowe polecenie, wciskając i przytrzymując wciśnięty przycisk, przez co najmniej 3 sekundy.

Jeżeli podczas funkcjonowania odbiornika przekaźnik odbiera kilka poleceń równocześnie – na przykład z dwóch przycisków wczytanych na tym samym przekaźniku i pełniących odmienne funkcje – odbiornik wykona ostatnie wysłane polecenie według kolejności czasowej.

5.2 - WCZYTYWANIE NOWEGO NADAJNIKA Z ZASTOSOWANIEM PROCEDURY 'W POBLIŻU ODBIORNIKA'

[należy dysponować wcześniej wczytanym nadajnikiem]

Istnieje możliwość wczytania NOWEGO nadajnika do pamięci odbiornika bez konieczności bezpośredniego wciskania przycisku znajdującego się w tym odbiorniku, należy jednakże wykonać te operacje w jego zasięgu sterowania. Aby uaktywnić procedurę należy dysponować STARYM, wcześniej wczytanym nadajnikiem (w “Trybie I” lub w “Trybie II”), który funkcjonuje. Procedura umożliwi NOWEMU nadajnikowi uzyskanie ustawień ze STAREGO nadajnika. **Uwaga** – Jeżeli używane są nadajniki NiceOne, w zastępstwie tej procedury można wykorzystać wczytywanie z zastosowaniem “Kodu uaktywnienia” (odwołać się do instrukcji obsługi nadajników).

Zalecenia dotyczące procedury

- Ta procedura musi być wykonywana w zasięgu sterowania odbiornika (10-20 m od odbiornika).
- Jeżeli STARY nadajnik został wczytany w “Trybie I”, podczas wykonywania tej procedury należy wcisnąć **dowolny przycisk zarówno na Starym jak i na Nowym nadajniku; jeżeli natomiast STARY nadajnik został wczytany w “Trybie II” należy wcisnąć na Starym nadajniku przycisk z wybranym poleceniem, natomiast na Nowym nadajniku należy wcisnąć przycisk, który zamierza się powiązać z tym poleceniem.**
- Zalecane są dwie procedury: należy wybrać jedną z nich w zależności od własnych preferencji.

Procedura standard

01. Na NOWYM nadajniku przytrzymać wciśnięty przez co najmniej 5 sekund przycisk.... i następnie zwolnić.
02. Na STARYM nadajniku wcisnąć 3 razy przycisk.... i następnie zwolnić.
03. Na NOWYM nadajniku wcisnąć 1 raz ten sam, co w punkcie 01 przycisk i następnie zwolnić.

Procedura alternatywna

01. Na NOWYM nadajniku przytrzymać wciśnięty przez co najmniej 3 sekundy przycisk.... i następnie zwolnić.
02. Na STARYM nadajniku przytrzymać wciśnięty przez co najmniej 3 sekundy przycisk.... i następnie zwolnić.
03. Na NOWYM nadajniku przytrzymać wciśnięty przez co najmniej 3 sekundy ten sam przycisk, co w punkcie 01 i następnie zwolnić.
04. Na STARYM nadajniku przytrzymać wciśnięty przez co najmniej 3 sekundy ten sam przycisk, co w punkcie 02.

5.3 - PROGRAMOWANIE REGULATORA CZASOWEGO

“Regulator czasowy 1” i “Regulator czasowy 2” reprezentują czas, w ciągu którego przekaźniki pozostaną aktywne:

– **Regulator czasowy 1** przeznaczony dla przekaźnika 1. Ten regulator odpowiada czasowi pracy przekaźników 1 i 2, w przypadku, kiedy zostaną one zaprogramowane z zastosowaniem Funkcji 9, 11 lub 13.

– **Regulator czasowy 2** przeznaczony dla przekaźnika 3. Ten regulator odpowiada czasowi pracy przekaźników 3 i 4, w przypadku, kiedy zostaną one zaprogramowane z zastosowaniem Funkcji 10, 12 lub 14.

Wartość ustawiona fabrycznie dla obu regulatorów czasowych wynosi 120 sekund. Ta wartość może być modyfikowana z zastosowaniem następującej procedury “autoodczytu”:

01. Jeżeli przekaźnik jest aktywny należy zdezaktywować go z zastosowaniem odpowiedniego polecenia;
02. przełączyć przełącznik dip switch 1 na **ON (rys. 3-L)**, aby zaprogramować regulator czasowy 1 lub przełącznik dip switch 2 (**rys. 3-M**), aby zaprogramować regulator czasowy 2: zaświeci się dioda znajdująca się obok przełącznika, która wskazuje, że faza programowania została uaktywniona;
03. stosownie do wybranego regulatora czasowego należy uaktywnić wybrany przekaźnik wciskając odpowiedni przycisk: **dokładnie od tej chwili zaczyna się odliczanie czasu**;
04. Po upływie ustawionego czasu należy ponownie wcisnąć przycisk, aby w ten sposób zdezaktywować przekaźnik: czas, który właśnie upłynął został wczytany i stanie się nową wartością dla regulatora czasowego;
05. Przełączyć przełącznik dip switch, który został wykorzystany na **OFF**: dioda, znajdująca się obok niego zgaśnie a odbiornik powróci do zwykłego trybu funkcjonowania.

5.4 - KASOWANIE PAMIĘCI

• Całkowite kasowanie pamięci odbiornika

Aby skasować całą pamięć odbiornika lub tylko wczytane nadajniki należy postępować w następujący sposób:

01. Wcisnąć i przytrzymać wciśnięty przez dłuższy okres czasu przycisk na odbiorniku i obserwować stan **zieloną** diodę:
po około 4 sekundach zaświeci się...
po około 4 sekundach zgaśnie...

02. po około 4 sekundach **zaczyna migotać...**
Teraz:

- aby **skasować wczytane nadajniki** należy zwolnić przycisk odbiornika **dokładnie podczas 3-go błysku** diody;
- aby **skasować całą pamięć** (wraz z konfiguracjami i rodziną kodowania nadajników), należy zwolnić przycisk **dokładnie podczas 5-go błysku** diody.

Ta funkcja może być wykonywana również z zastosowaniem urządzenia do programowania Obox lub Oview.

• Kasowanie pojedynczego nadajnika z pamięci

Aby skasować z pamięci odbiornika jeden wczytany nadajnik należy postępować w następujący sposób:

01. Wcisnąć i **przytrzymać wciśnięty przez dłuższy czas** przycisk na odbiorniku...
02. po zaświeceniu się **zielonej** diody na nadajniku, który zamierza się skasować z pamięci należy wcisnąć i przytrzymać wciśnięty przycisk nadajnika(*), dopóki dioda na odbiorniku nie wykona serii 5-ciu szybkich błysków koloru **zielonego** (= kasowanie wykonane prawidłowo). Teraz można zwolnić oba przyciski.

(* **Uwaga** – Jeżeli nadajnik został wczytany w "Trybie I" należy wcisnąć dowolny przycisk; jeżeli natomiast został on wczytany w "Trybie II" należy wcisnąć ten przycisk, który został wczytany; jeżeli zostało wczytanych kilka przycisków należy powtórzyć tę procedurę dla każdego z nich.

Ta funkcja może być wykonywana również z zastosowaniem urządzenia do programowania Obox lub Oview.

6 – PROGRAMOWANIE ZAAWANSOWANE

ZALECENIE – Niektóre rodzaje programowania opisane w tym rozdziale mogą być wykonywane wyłącznie, jeżeli odbiornik jest połączony z urządzeniami należącymi do Systemu NiceOpera; dlatego też wymagane jest używanie urządzeń do programowania Obox lub Oview.

Odbiornik posiada dodatkowe funkcje, nieopisane w tej instrukcji, które umożliwiają zwiększenie osiągniętych poziomów zabezpieczenia oraz ułatwiają używanie automatyki. Aby uzyskać szczegółowe informacje dotyczące dostępnych funkcji należy przeczytać ogólną instrukcję obsługi systemu "NiceOpera System Book" lub instrukcję obsługi Obox lub Oview.

• WPISYWANIE HASŁA DO ODBIORNIKA

[z Obox (TYLKO DO OX4T) i Oview]

Ta funkcja zabezpiecza wszystkie funkcje programowane w odbiorniku i dezaktywuje również funkcjonowanie przycisku i diody. Jest uaktywniana poprzez wpisanie do odbiornika odpowiedniego **hasła** ustalonego wcześniej przez instalatora (maksymalnie 10 cyfr).

W przypadku, kiedy ta funkcja jest aktywna, aby móc wykonać programowanie lub konserwację odbiornika należy najpierw wpisać hasło, aby odblokować odbiornik.

• **UAKTYWNIANIE (lub dezaktywacja) ODBIORNIKA PODCZAS WCZYTYWANIA NADAJNIKA**

[z Obox (TYLKO DO OX4T)]

Ta funkcja umożliwia w odbiorniku uaktywnianie (lub dezaktywację) możliwości wczytywania nadajnika z zastosowaniem procedury 'w pobliżu odbiornika' (rozdział 5, paragraf 5.2) i/ lub z zastosowaniem procedury z 'kodem uaktywnienia', występującej w nadajnikach z serii NiceOne.

Umożliwia zapobieżenie na przykład przypadkowemu wczytaniu nadajników nienależących do instalacji. Aby uaktywnić lub dezaktywować tę funkcję należy postępować w następujący sposób:

01. Podłączyć zasilanie do odbiornika, trzymając wciśnięty przycisk P1 i odczekać, dopóki dioda L1 nie wykona najpierw sygnalizacji opisanych w rozdziale 5.1; następnie 2 szybkich błysków w kolorze **pomarańczowym** (= procedura aktywna); i wreszcie zasygnalizuje w odpowiednim kolorze stan uaktywnienia, w którym się znajduje. Następnie zwolnić przycisk;
02. w ciągu 5 sekund wcisnąć kilkakrotnie przycisk na odbiorniku, aby wybrać jedną z następujących funkcji:
 - Dioda NIE ŚWIECI SIĘ = Żadna blokada nie jest aktywna
 - Dioda ZIELONA = Blokada wczytywania "w pobliżu"
 - Dioda CZERWONA = Blokada wczytywania z zastosowaniem "kodu uaktywniania"
 - Dioda POMARAŃCZOWA = Blokada obu trybów wczytywania ("w pobliżu" i z zastosowaniem "kodu uaktywniania");
03. po ustawieniu tej funkcji należy w ciągu 5 sekund wcisnąć dowolny przycisk, znajdujący się na wcześniej wczytanym do odbiornika nadajniku, aby zachować właśnie wybraną funkcję.

• **UAKTYWNIANIE (lub dezaktywacja) ODBIORNIKA PODCZAS WCZYTYWANIA NOWYCH NADAJNIKÓW Z ZASTOSOWANIEM "NUMERU CERTYFIKATU" ODBIORNIKA**

[z Obox] (TYLKO DO OX4T)

Ta funkcja umożliwia w odbiorniku uaktywnianie (lub dezaktywację) możliwości wczytywania nadajnika z zastosowaniem numeru certyfikatu odbiornika.

Aby uzyskać szczegółowe informacje o sposobach wykorzystywania certyfikatu należy przeczytać instrukcje obsługi nadajnika oraz instrukcję NiceOpera System Book.

• **UAKTYWNIANIE (lub dezaktywacja) AKTUALIZACJI POZIOMU "PRIORYTETU" NADAJNIKA**

[z Obox (TYLKO DO OX4T)]

Ta funkcja umożliwia w odbiorniku uaktywnianie (lub dezaktywację) możliwości aktualizowania wyższego poziomu priorytetu wcześniej wczytanego nadajnika, należącego do serii NiceOne. Fabrycznie funkcja ta jest ustawiona jako aktywna. Aby uzyskać szczegółowe informacje o sposobach zarządzania priorytetem należy przeczytać instrukcję obsługi Obox oraz instrukcję NiceOpera System Book.

• **UAKTYWNIANIE (lub dezaktywacja) ODBIORU NIE ORYGINALNYCH "KODÓW TOŻSAMOŚCI" NADAJNIKÓW**

[z Obox (TYLKO DO OX4T)]

Ta funkcja umożliwia w odbiorniku uaktywnianie (lub dezaktywację) możliwości zaakceptowania polecenia pochodzącego z nadajnika ze zmodyfikowanym kodem tożsamości,

który różni się od ustawionego fabrycznie kodu oryginalnego. Fabrycznie funkcja ta jest ustawiona jak aktywna. Aby uzyskać szczegółowe informacje o tym, jak należy modyfikować kody tożsamości nadajników należy przeczytać instrukcję obsługi Obox.

- **UAKTYWNIANIE (lub dezaktywacja) ZARZĄDZANIA KODEM ROLLING CODE (RND)**

[z Obox (TYLKO DO OX4T) i Oview]

Ta funkcja umożliwia uaktywnianie (lub dezaktywację) odbiornika do zarządzania zmienną częścią kodu tożsamości (RND lub rolling code), wysłanego przez nadajnik. W przypadku, kiedy ta funkcja jest uaktywniona odbiornik rozpoznaje kod typu "rolling code" jako kod typu "stały", pomijając jego zmienną część. Fabrycznie funkcja ta jest ustawiona jako nieaktywna.

- **UAKTYWNIANIE (lub dezaktywacja) FUNKCJI "REPEATER"**

[z Obox (TYLKO DO OX4T)]

Ta funkcja umożliwia w odbiorniku uaktywnianie (lub dezaktywację) funkcji "wzmacniacza" polecenia wysłanego drogą radiową, przez przekazanie go do drugiego odbiornika - końcowego. Wykorzystując dwa odbiorniki – gdy w jednym z nich uaktywniona jest funkcja "wzmacniacza", jest możliwe sterowanie automatyki z odległości większej niż ta, która jest zwykle obejmowana przez system nadajnik-odbiornik.

Ta funkcja jest dostępna wyłącznie, jeżeli do odbiorników zostaną wczytane nadajniki z kodowaniem "O-Code".

Fabrycznie funkcja ta jest ustawiona jako nieaktywna. Aby ustawić tę funkcję należy najpierw uaktywnić ją zarówno w odbiorniku "wzmacniacz" jak i w wybranych nadajnikach.

- **UAKTYWNIANIE (lub dezaktywacja) ZARZĄDZANIA ZWALNIANIEM PRZYCISKÓW NADAJNIKA**

[z Obox (TYLKO DO OX4T)]

Ta funkcja umożliwia w odbiorniku uaktywnianie (lub dezaktywację) synchronizacji pomiędzy zwolnieniem przycisku w nadajniku z kodowaniem "O-Code" i odpowiedzią, uzyskaną z automatyki po wykonaniu tej operacji. Zwykle w przypadku, kiedy podczas wysyłania polecenia przycisk zostanie zwolniony, manewr nie zostanie natychmiast przerwany, nastąpi to krótkiej zwłóce (zaprogramowanej fabrycznie). Uaktywnienie tej funkcji umożliwia natomiast uzyskanie natychmiastowej odpowiedzi automatu po zwolnieniu przycisku. Fabrycznie ta funkcja jest ustawiana jako nieaktywna.

- **UAKTYWNIANIE (lub dezaktywacja) WYSYŁANIA POLECEŃ W SIECI "BUS T4"**

[z Oview]

Ta funkcja służy do uaktywniania (lub dezaktywacji) w odbiorniku możliwości odbioru i/lub wysyłania kodów radiowych za pomocą kabla "BusT4". W instalacjach, które wykorzystują ten rodzaj połączenia, jeżeli automat musi być sterowany z większej odległości od tej, która jest zwykle objęta przez system nadajnik i odbiornik, jest możliwe uaktywnienie tej funkcji w odbiornikach, (co najmniej 2), aby zwiększyć w ten sposób zasięg transmisji radiowej. W tym przypadku pierwszy odbiornik odbiera polecenie "drogą radiową" i przekazuje je następnie przy pomocy przewodu Bus do odbiornika końcowego (do odbiornika, w którym został wczytany kod nadajnika, z którego polecenie zostało wysłane). Fabrycznie ta funkcja jest ustawiana jako nieaktywna.

- **WYKONYWANIE POLECENIA WYSŁANEGO Z NADAJNIKÓW, KTÓRE SĄ CZĘŚCIĄ “GRUPY PRZYNALEŻNOŚCI”**

[z Obox (TYLKO DO OX4T)]

Podczas programowania nadajników z zastosowaniem Obox jest możliwe wprowadzanie każdego nadajnika do jednej lub kilku “grup przynależności” (do 4 grup).

Podczas odbierania polecenia odbiornik kontroluje najpierw, do której grupy zostało ono przyłączone w nadajniku; jeżeli w danej chwili ta grupa przynależności jest aktywna, odbiornik steruje wyjściami, w przeciwnym przypadku polecenie zostanie zablokowane, ten stan zostanie zasygnalizowany przez diodę migającą w kolorze **pomarańczowym**.

Tworzenie grup jest wykonywane przez Obox, natomiast ich używanie jest zarządzane przez inne urządzenia, na przykład Oview. W szczególności może on uaktywnić (lub dezaktywować) funkcjonowanie danej grupy nadajników w zależności od określonych stref czasowych.

UTYLIZACJA PRODUKTU

Produkt ten jest nierozłączną częścią automatyki, w związku z tym musi być poddany utylizacji wraz nią.

Podobnie jak przy instalacji, także przy zakończeniu użytkowania niniejszego produktu czynności utylizacji powinny być wykonane przez personel wykwalifikowany.

Niniejszy produkt składa się z różnego rodzaju materiałów, niektóre z nich mogą być powtórnie użyte, inne muszą zostać poddane utylizacji. Należy zasięgnąć informacji o systemach wtórnego przerobu i utylizacji, przewidzianych przez lokalne przepisy dla tej kategorii produktu.

Uwaga! – niektóre elementy produktu mogą zawierać substancje szkodliwe lub niebezpieczne, które pozostawione w środowisku mogłyby zaszkodzić środowisku lub zdrowiu ludziemu.

Zgodnie ze wskazaniem symbolu na rysunku obok zabronione jest wyrzucanie tego produktu razem z odpadami domowymi. W celu utylizacji produktu należy przeprowadzić “segregację odpadów” na potrzeby utylizacji, według metod przewidzianych lokalnymi przepisami, lub zwrócić produkt sprzedawcy podczas zakupu nowego, równorzędnego produktu.

Uwaga! – lokalne przepisy mogą przewidywać poważne sankcje w przypadku samodzielnej likwidacji tego produktu.



Tabela B

SYGNAŁY WYDAWANE PRZEZ DIODĘ ODBIORNIKA

— Błyski długie / kolor ZIELONY —

Podczas włączania:

- 1 * = System kodowania: "Flo"
- 2 * = System kodowania: "O-Code"/"FloR"/"TTS"
- 3 * = System kodowania: "Smilo"
- 5 * = Nie został wczytany żaden pilot

Podczas funkcjonowania:

- 1 * = Wskazuje, że odebrany kod nie znajduje się w pamięci
- 1 * = Podczas programowania wskazuje, że kod znajduje się już w pamięci
- 3 * = Zachowywanie kodu w pamięci
- 5 * = Pamięć skasowana
- 6 * = Podczas programowania wskazuje, że kod nie został autoryzowany do wczytania
- 8 * = Pamięć pełna

— Błyski krótkie / kolor ZIELONY —

- 1 * = "Certyfikat" nie obowiązuje podczas wczytywania
- 2 * = Kod nie może zostać wczytany ponieważ przekazuje "certyfikat"
- 3 * = Podczas programowania wskazuje, że kod został

ponownie zsynchronizowany

- 4 * = Wyjście w "Trybie II" nie może być zarządzane w centrali
- 5 * = Podczas procedury kasowania wskazuje, że kod został skasowany
- 5 * = "Certyfikat" z priorytetem większym od dopuszczalnego
- 6 * = Kod poza synchronizacją
- 6 * = Kod nie może zostać wczytany z powodu "nieprawidłowego klucza"

— Błyski długie / kolor CZERWONY —

- 1 * = Zablokowanie kodu nie oryginalnego
- 2 * = Kod z priorytetem mniejszym od autoryzowanego

— Błyski krótkie / kolor CZERWONY —

- 1 * = Blokada programowania "w pobliżu"
- 1 * = Zablokowanie wczytywania za pomocą "certyfikatu"
- 2 * = Zablokowanie pamięci (wprowadzenie kodu PIN)

— Błyski długie / kolor POMARAŃCZOWY —

- 1 * = Sygnalizuje kod w pamięci poza aktualnie uaktywnioną "grupą"

— Błyski krótkie / kolor POMARAŃCZOWY —

- 2 * = Sygnalizuje uaktywnienie blokady programowania (przy włączeniu)

PARAMETRY TECHNICZNE URZĄDZENIA

• Zasilanie:	110 ÷ 240 Vac 50/60 Hz
• Maksymalny prąd pobierany:	80 mA
• Kodowania:	O-Code / TTS / FloR (rolling code); Smilo (rolling code) lub Flo.
• Częstotliwość:	433.92 MHz
• Impedancja anteny:	52 Ω
• Czułość:	powyżej 0,5µV dla sygnału wysłanego prawidłowo
• Zasięg:	szacowany do 200 m na zewnątrz i do 35 m wewnątrz budynków
• Moc promieniowania (tylko do OX4T):	+2dBm
• Ilość wczytywanych nadajników:	1024 (maksymalnie)
• Wyjścia:	4 przekaźniki ze stykami NO i NZ, bez potencjału
• Obciążalność styków:	5A - 250V
• Maksymalny prąd BusT4:	200 mA
• Zakres regulatorów czasowych:	programowalne od 2 sekund do 540 minut
• Stopień zabezpieczenia:	IP44 (z kompletną obudową)
• Temperatura funkcjonowania:	-20 ÷ 55 °C
• Wymiary / ciężar:	128 x 112 x 43 mm / 260 g

Uwagi dotyczące parametrów technicznych urządzenia:

- Odległość operacyjna znajdująca się pomiędzy nadajnikami i odbiornikami (zasięg) jest w znacznej mierze uzależniona od innych urządzeń, które funkcjonują w danej strefie przy tej samej częstotliwości (na przykład: systemy alarmowe, słuchawki radiowe, itp.). W tych przypadkach firma Nice nie może udzielać żadnej gwarancji na rzeczywisty zasięg własnych urządzeń.
- Wszystkie podane tu parametry techniczne dotyczą temperatury środowiskowej 20°C (± 5°C).
- Firma Nice S.p.a. zastrzega sobie prawo do wprowadzania zmian do urządzenia w każdej chwili, kiedy uzna je za konieczne, zachowując te same funkcje i przeznaczenie.

DEKLARACJA ZGODNOŚCI CE

Deklaracja zgodna z Dyrektywą 1999/5/WE

Uwagi – Niniejsza Deklaracja Zgodności obejmuje zawartość poszczególnych deklaracji zgodności wymienionych produktów; została ona zaktualizowana w dniu wydania niniejszej instrukcji oraz dostosowana do celów wydawniczych. Kopię oryginalnej deklaracji każdego produktu można uzyskać w siedzibie spółki Nice S.p.a. (TV) I.

Numer deklaracji: 283/OX4

Aktualizacja: 2

Język: PL

Ja, niżej podpisany Luigi Paro, jako Dyrektor Generalny, deklaram na własną odpowiedzialność, że produkt:

Nazwa producenta: NICE s.p.a.

Adres: Via Pezza Alta 13, Z.I. Rustignè, 31046 Oderzo (TV), Włochy

Typ: Nadajnik-odbiornik 433,92MHz do zdalnego sterowania bramami, drzwiami, bramami rolowanymi, markizami, roletami, oświetleniem i innych podobnych zastosowań

Modele: OX4, OX4T

Akcesoria:

Jest zgodny z wymogami poniżej dyrektywy unijnej:

- Dyrektywa 1999/5/WE PARLAMENTU EUROPEJSKIEGO I RADY z dnia 9 marca 1999 roku w sprawie urządzeń radiowych i końcowych urządzeń telekomunikacyjnych oraz wzajemnego uznawania ich zgodności, zgodnie z następującymi normami zharmonizowanymi:
 - Ochrona zdrowia (art. 3(1)(a)): EN 50371:2002
 - Bezpieczeństwo elektryczne (art. 3(1)(a)): EN 60950-1:2006 + A11:2009
 - Kompatybilność elektromagnetyczna (art. 3(1)(b)): EN 301 489-1 V1.8.1:2008, EN 301 489-3 V1.4.1:2002
 - Widmo radiowe (art. 3(2)): EN 300 220-2 V2.3.1:2010

Oderzo, 31 maja 2012

inż. Luigi Paro
(Dyrektor Generalny)



AANBEVELINGEN

WERK ONDER VEILIGE CONDITIES!

LET OP! – Voor de veiligheid van de betrokken personen is het belangrijk deze aanwijzingen op te volgen.

LET OP! – Belangrijke aanwijzingen voor de veiligheid: bewaar deze aanwijzingen.

LET OP! – Alle werkzaamheden in verband met de installatie, de aansluiting, de programmering en het onderhoud van het product mogen uitsluitend worden uitgevoerd door een gekwalificeerde en bekwame technicus!

Neem de volgende aanbevelingen in acht:

- geen enkel onderdeel van het product mag gewijzigd worden, tenzij dergelijke wijzigingen in deze handleiding zijn voorzien. Werkzaamheden waarvoor de fabrikant geen toestemming heeft verleend, kunnen een bron van gevaar vormen en storingen veroorzaken. De fabrikant aanvaardt geen enkele aansprakelijkheid voor schade die het gevolg is van op willekeurige wijze gewijzigde producten.
- Om de buitenkant van het product te reinigen gebruikt u een

zachte, iets bevochtigde (maar niet natte!) lap. **Belangrijk** – Gebruik geen vloeistoffen die alcohol, benzeen, oplosmiddelen of andere ontvlambare substanties bevatten. Gebruik van dergelijke substanties kan het product beschadigen.

- Bewaar deze handleiding zorgvuldig, om eventuele toekomstige programmeer- of onderhoudswerkzaamheden te vergemakkelijken.
- Het verpakkingsmateriaal van het product moet overeenkomstig de plaatselijk van kracht zijde voorschriften als afval worden verwerkt.

1 – BESCHRIJVING VAN HET PRODUCT EN GEBRUIKSBESTEMMING

De ontvanger **OX4 / OX4T** maakt deel uit van het systeem NiceOpera van Nice. Het product is bestemd voor gebruik in automatiseringsinstallaties voor poorten, garagedeuren, wegbarrières met slagboom zonweringen, rolluiken, daklichten en voor de bediening van lichten en elektrische circuits in het algemeen.

Ieder ander gebruik dient als oneigenlijk en dus als verboden te worden beschouwd! De fabrikant is niet aansprakelijk voor schade die het gevolg is van een oneigenlijk gebruik van het product, anders dan in deze handleiding is voorzien.

2 – KENMERKEN VAN HET PRODUCT

- Uitgerust met 4 relais met normaal geopend (NA) en normaal gesloten (NC) elektrisch contact, geschikt om gebruikt te worden op elektrische vermogenscircuits.
- Uitgerust met 3 dip-switches: 2 voor de programmering van de timers en 1 voor toekomstig gebruik.

- Voorzien van 14 functies die toegekend kunnen worden aan de uitgangsrelais.
- Uitgerust met een geheugen met een opslagcapaciteit van 1024 zenders.
- Compatibel met de radiocoderingen "O-Code" / "FloR" / "TTS", of "Smilo", of "Flo".

(ALLEEN VOOR OX4T) – Bezit een ingebouwde zender die het mogelijk maakt de ontvangen instructie aan een tweede ontvanger door te sturen ("Repeater" functie), zodat de actieradius van het zend/ontvangsysteem wordt vergroot.

(ALLEEN VOOR OX4T) – Kan via radio worden aangesloten op de programmeereenheid Obox (middels de ingebouwde zender), of via kabel op de programmeereenheid Oview. Deze inrichtingen vergemakkelijken de programmering, het beheer van de opgeslagen codes, de diagnostiek en overige operaties.

(ALLEEN VOOR OX4T) – Uitgerust met een persoonlijk identificatienummer, dat "Certificaat" wordt genoemd. Dit nummer staat op het verzegelde formulier dat in de verpakking zit. Het certificaat maakt allerlei verschillende handelingen mogelijk, zoals bijvoorbeeld het opslaan van nieuwe zenders zonder rechtstreeks op de ontvanger zelf te hoeven werken. **Let op!** – Het wordt aangeraden het certificaat op een veilige plek te bewaren; het zou door buitenstaanders namelijk gebruikt kunnen worden om "wireless" (via draadloze verbinding) toegang te krijgen tot de gegevens die zich in de ontvanger bevinden, tenzij men in deze laatste beschermingen heeft ingeprogrammeerd, bijvoorbeeld veiligheids wachtwoorden.

Wat is "NiceOpera"

Nice Opera is een systeem dat is opgebouwd uit verschillende inrichtingen die gewoonlijk gebruikt worden in installaties voor de automatisering van hekken, garagedeuren en wegbarrières met slagboom, en die onderling met elkaar kunnen communiceren en gegevens kunnen uitwisselen via radio, middels de codering "O-Code", en via kabel, middels het protocol "BusT4", met volledige onderlinge integratie van de twee systemen.

De inrichtingen die deel uitmaken van "NiceOpera" zijn:

- **de zenders van de serie NiceOne;**
- **de ontvangers van de serie NiceOne;**
- **de reductiemotoren met besturingseenheid van het type "BusT4".**

Naast deze inrichtingen kent het systeem nog andere aanvullende software- en hardware-elementen, namelijk:

- **de programmeereenheid Obox, met specifieke software, voor de zenders en de ontvangers;**

- de programmeereenheid Oview voor de besturingseenheden en de ontvangers. Met de Oview kunnen ook de volgende componenten gebruikt worden:

- een Bluetooth® module en een specifieke software, voor de gegevensuitwisseling tussen de Oview en een personal computer of een palmcomputer;

- een Gsm® module en een specifieke software, voor de gegevensuitwisseling via Internet tussen de Oview en een personal computer of een palmcomputer.

Met de Gsm® module is het ook mogelijk een smartphone en een gewone mobiele telefoon te gebruiken: hiermee kan een instructie aan de automatisering worden gestuurd via een telefoonoproep of een Sms; daarnaast is het met de met het besturingssysteem Windows® Mobile uitgeruste smartphone ook mogelijk de software “Oview software suite” te gebruiken.

3 – INSTALLATIE VAN HET PRODUCT

01. Verwijder het bovendeksel van de ontvanger (afb. 1).
02. Boor in de houder op de aanwezige merktekens gaten voor de kabeldoorvoer en gaten voor de bevestiging van de ontvanger aan de wand. **Let op!** – **Neem de maatregelen die nodig zijn om de door het installatietype vereiste IP beschermingsklasse te waarborgen. Er dient met name te worden gezorgd voor kabelklemmen (niet bijgeleverd) die de voedings- en stuurkabels moeten beschermen tegen mogelijke tractie of torsie.**
03. Bevestig de houder van de ontvanger aan de wand (afb. 2). **Let op!** – **De ontvanger moet zodanig geplaatst worden dat de kabels uitsluitend van onderen af de houder binnenkomen.**

4 – ELEKTRISCHE AANSLUITINGEN

Op **afb. 3** ziet u de klemmen en de contactbussen die gebruikt moeten worden voor de elektrische aansluitingen:

- **(A)** voor het aansluiten van de elektrische voeding;
- **(B)** voor het aansluiten van de antenne;
- **(C en D)** voor het aansluiten van de contacten van de 4 relais;
- **(E)** voor het aansluiten van de Obox;
- **(F)** voor het aansluiten van de Oview en van de kabel “BusT4”.

Ieder relais is voorzien van 1 gemeenschappelijk contact (C), 1 normaal geopend (NA) rustcontact en 1 normaal gesloten (NC) rustcontact: dit zijn allemaal spanningsloze contacten.

De contacten van de 4 relais zijn dubbel geïsoleerd ten opzichte van de rest van het circuit van de ontvanger, en dit is eveneens het geval tussen het relaispaar 1 en 2 en het relaispaar 3 en 4.

De dubbele isolatie laat een gemengd gebruik van de contacten in circuits op zeer lage spanning of netspanning toe, met de volgende mogelijkheden:

- gebruik van **alle** contacten in elektrische circuits op netspanning;
- gebruik van **alle** contacten in elektrische circuits op zeer lage spanning;
- gebruik van de relais **1** en **2** (of **3** en **4**) in elektrische circuits op netspanning en van de relais **3** en **4** (of **1** en **2**) in elektrische circuits op zeer lage spanning.

Schema's voor de aansluiting van de relais

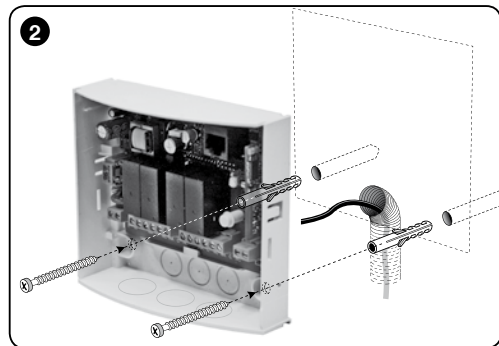
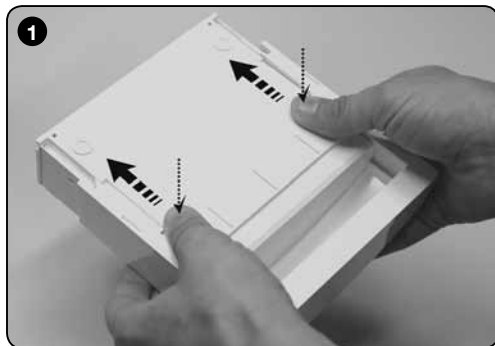
Op **afb. 4** ziet u het schema voor aansluiting van de relais op een algemeen elektrisch circuit (een motor, een lamp etc.) dat gevoed wordt met netspanning.

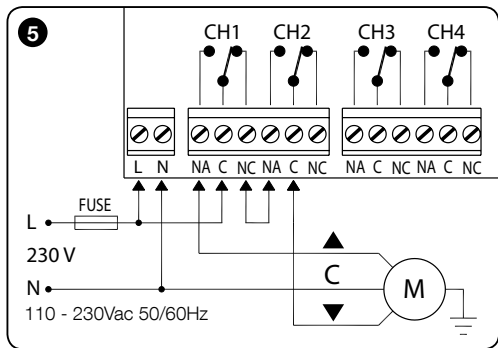
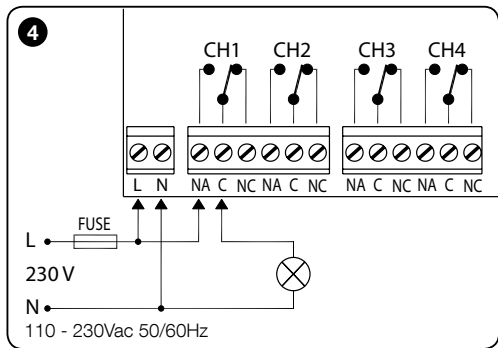
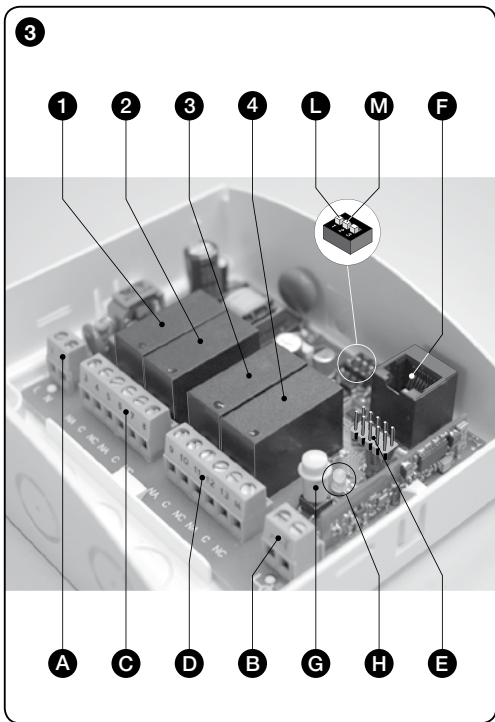
Op **afb. 5** ziet u het schema voor aansluiting van de relais op

een motor met twee draairichtingen (zonnewering, rolluiken, jaloezieën etc.).

Aanbevelingen voor het aansluiten van de antenne

- Bij het aansluiten van de antenne dient u de draad op de geleverde lengte te laten en deze in een rechte lijn, zonder al te scherpe bochten, te installeren.
- Als de ontvanger op een ongunstige plek komt te zitten en het radiosignaal zwak blijkt te zijn, is het, om de ontvangst te verbeteren, raadzaam de bijgeleverde antenne te vervangen door een externe antenne (mod. ABF of ABFKIT). De nieuwe antenne moet zo hoog mogelijk worden geplaatst, boven eventuele structuren van metaal of gewapend beton die zich in de nabijheid bevinden.





5 – PROGRAMMERING

Aanbevelingen:

Bij enkele van de programmeerfuncties die in dit hoofdstuk worden beschreven, worden de toets **P1** en de led **L1** (afb. **3-G/H**) van de ontvanger gebruikt.

Tijdens het programmeren zal de led een bepaald aantal maal knipperen, met een specifieke tijdsduur en lichtkleur (groen, rood of oranje), om de status van de programmeeroperaties aan te duiden. De betekenis van deze knippersignaleringen kunt u opzoeken in **Tabel B** achter in deze handleiding.

Andere functies kunnen uitsluitend geprogrammeerd worden met de inrichtingen Obox of Oview die tot het systeem Nice-Opera behoren.

5.1 - IN HET GEHEUGEN OPSLAAN VAN DE ZENDERS

De ontvanger kan maximaal 1024 zenders opslaan. Hij is compatibel met de radiocoderingen “**O-Code**” / “**FloR**” / “**TTS**”, of “**Smilo**”, of “**Flo**”.

Let op! – deze drie coderingsgroepen zijn onderling niet compatibel; de eerste ontvanger die in het geheugen van de zender wordt opgeslagen, bepaalt daarom ook de codering waartoe de volgende zenders moeten behoren.

Om te controleren of er reeds zenders in de ontvanger zijn opgeslagen en tot welk coderingstype deze behoren, de stroomtoevoer naar de ontvanger uitschakelen, de stroomtoevoer weer inschakelen en het aantal **groene knipperingen** van de led L1 tellen:

1 knippering = codering **Flo**

2 knipperingen = codering **O-Code** / **FloR** / **TTS**

3 knipperingen = codering **Smilo**

5 knipperingen = geen zender opgeslagen

De zenders kunnen worden opgeslagen aan de hand van één van de volgende procedures:

• **Procedure Werkwijze I:** programmeert **alle toetsen**(*) van de zender in één keer, en wijst elke toets toe aan een relais, volgens het volgende schema: toets **1** = relais **1** / toets **2** = relais **2** / toets **3** = relais **3** / toets **4** = relais **4**.

De “Werkwijze I” programmeert iedere toets om, bij aanwezigheid van een persoon, op het betreffende relais te werken.

(*) **Opmerking** – Als de zender meerdere coderingen heeft, – zoals bijvoorbeeld de modellen ON9, WM009C etc. die een toetsenblok hebben dat onderverdeeld is in groepen met toetsen, waarbij iedere groep een eigen codering heeft, alsof het om verschillende zenders gaat, – worden bij het uitvoeren van de procedure “Werkwijze I” alleen de toetsen opgeslagen die tot een bepaalde groep behoren, om een andere groep op te slaan moet de procedure herhaald worden.

• **Procedure Werkwijze II:** programmeert **één enkele toets** van de zender en kent deze toe aan de gewenste functie, die geselecteerd kan worden uit de functies uit **Tabel A**.

Opslaan van een zender volgens “Werkwijze I”

01. Op de ontvanger houdt u de toets **P1** ingedrukt tot de groene led **L1** gaat branden (na circa 4 seconden), waarna u de toets weer los laat;
02. binnen 10 seconden houdt u een willekeurige toets van de zender, die moet worden opgeslagen, ingedrukt, tot de groene led L1 van de ontvanger de eerste van 3 knipperingen laat zien die aangegeven dat de zender in het geheugen werd opgeslagen.

Wanneer de led klaar is met knipperen dient u, als u een andere zender wilt opslaan volgens “Werkwijze I”,

binnen 10 seconden op een willekeurige toets van deze nieuwe zender te drukken.

Opslaan van een zender volgens “Werkwijze II”

01. Kies in **Tabel A** de functie die u wilt programmeren (bijv. “Functie 8”).
02. Druk op de ontvanger net zo vaak op toets **P1** als het identificatienummer van de gekozen functie (in ons voorbeeld, 8 maal). Na afloop zal de groene led **L1** net zo vaak kort knipperen als er op de toets werd gedrukt (in ons voorbeeld, 8 korte knipperingen);
03. binnen 10 seconden dient u op de zender de toets ingedrukt te houden die u wilt opslaan, totdat de groene led L1 van de ontvanger de eerste van 3 lange knipperingen laat zien, die aangegeven dat de zender in het geheugen werd opgeslagen.

Wanneer de led klaar is met knipperen dient u, als u met dezelfde functie een nieuwe toets wilt opslaan (ook van een andere zender), binnen 10 seconden op deze nieuwe toets te drukken.

Tabel A – Functies die kunnen worden toegewezen aan een toets van de zender

Functie 1: activeert het **relais 1** in de modus ‘persoon aanwezig’;

Functie 2: activeert het **relais 2** in de modus ‘persoon aanwezig’;

Functie 3: activeert het **relais 3** in de modus ‘persoon aanwezig’;

Functie 4: activeert het **relais 4** in de modus ‘persoon aanwezig’;

Functie 5: activeert het **relais 1** in de modus On/Off;

Functie 6: activeert het **relais 2** in de modus On/Off;

Functie 7: activeert het **relais 3** in de modus On/Off;

Functie 8: activeert het **relais 4** in de modus On/Off;

Functie 9 opmerking 1): activeert het **relais 1** en **2** voor het aansturen van motoren die in twee richtingen draaien (rolluiken of zonweringen)

Functie 10 (opmerking 1): activeert het **relais 3** en **4** voor het aansturen van motoren die in twee richtingen draaien (rolluiken of zonweringen)

Functie 11 opmerking 2): activeert het **relais 1** voor de tijd die geprogrammeerd is in “Timer 1”

Functie 12 opmerking 2): activeert het **relais 3** voor de tijd die geprogrammeerd is in “Timer 2”

Functie 13 opmerking 1): activeert het **relais 1** en **2** voor het aansturen van motoren die in twee richtingen draaien (jaloeziegordijnen)

Functie 14 opmerking 1): activeert het **relais 3** en **4** voor het aansturen van motoren die in twee richtingen draaien (jaloeziegordijnen)

Opmerking 1 (Functies 9, 10, 13, 14)

Om deze functie op te slaan, dient u op een willekeurige toets van de zender te drukken. In deze modus zal de ontvanger de toetsen 1, 2, 3, (4) van de zender tegelijkertijd opslaan en deze

met de volgende instructies configureren: toets **1 = OMHOOG** / toets **2 = STOP** / toets **3 = OMLAAG** / (toets 4 = **STOP**).

Om een motor in twee draairichtingen te kunnen bedienen, dienen de relais te worden aangesloten zoals op **afb. 5**.

- **Voor de Functie 9 en 10:** door de ontvanger te gebruiken zullen de relais bij elke versturing van de instructie actief worden voor de tijd die geprogrammeerd is in de timer: Timer 1 voor de relais 1 en 2; Timer 2 voor de relais 3 en 4 (zie voor het programmeren van de timers hoofdstuk 5.3).
- **Voor de Functie 13 en 14:** door de ontvanger te gebruiken zullen de relais bij elke versturing van de instructie actief blijven zo lang de toets ingedrukt blijft, in de modus 'persoon aanwezig'. Indien de instructie echter langer dan 3 seconden duurt, blijven de relais actief voor de tijd die geprogrammeerd is in de timer: Timer 1 voor de relais 1 en 2; Timer 2 voor de relais 3 en 4 (zie voor het programmeren van de timers hoofdstuk 5.3).

Opmerking 2 (Functies 11, 12)

Door de ontvanger te gebruiken zal het relais, bij elke versturing van de instructie actief worden voor de tijd die geprogrammeerd is in de betreffende timer (zie voor het programmeren van de timers hoofdstuk 5.3). Voordat de tijd verstrijkt is het, om de timer opnieuw te starten, genoeg om een nieuwe instructie te geven. Als u de timer echter wilt onderbreken voordat de tijd verstrijkt, een nieuwe instructie geven door de toets tenminste 3 seconden lang ingedrukt te houden.

Als een relais tijdens het gebruik van de ontvanger meerdere instructies na elkaar ontvangt – bijvoorbeeld van twee toetsen die op hetzelfde relais zijn opgeslagen, maar met verschillende functies, – voert de ontvanger de instructie uit die hij als laatste heeft ontvangen.

5.2 - HET OPSLAAN VAN EEN NIEUWE ZENDER AAN DE HAND VAN DE PROCEDURE 'IN DE NABIJHEID VAN DE ONTVANGER'

[u dient te beschikken over een reeds in het geheugen opgeslagen zender]

Het is mogelijk een NIEUWE zender in het geheugen van de ontvanger op te slaan zonder de toets van deze ontvanger rechtstreeks in te drukken; het is voldoende dat u de procedure binnen diens ontvangstbereik uitvoert. Om de procedure uit te kunnen voeren dient u te beschikken over een OUDE zender die reeds in het geheugen is opgeslagen ("Werkwijze I" of "Werkwijze II") en die het doet. Via deze procedure wordt de NIEUWE zender opgeslagen met dezelfde instellingen als de OUDE zender. **Opmerking** – Als de zenders NiceOne gebruikt worden kan als alternatief voor deze procedure ook de procedure voor opslag via "Activeringscode" worden gebruikt (raadpleeg de instructiehandleiding van de zenders).

Aanbevelingen voor de procedure

- **De procedure moet binnen het ontvangstbereik van de ontvanger worden uitgevoerd (10-20 m van de ontvanger).**
- **Als de OUDE zender werd opgeslagen volgens "Werkwijze I", dient u gedurende de procedure zowel op de oude als op de nieuwe zender, op een willekeurige toets te drukken; als de OUDE zender echter werd opgeslagen volgens "Werkwijze II", dient u gedurende de procedure op de oude zender op de toets met de gewenste instructie te drukken en op de nieuwe zender op de toets die u met deze instructie wilt opslaan.**
- **Er zijn twee procedures: kies de procedure waaraan u de voorkeur geeft.**

Standaard procedure

01. Op de NIEUWE zender houdt u tenminste 5 seconden lang de toets ... ingedrukt en laat u deze toets vervolgens weer los.
02. Op de OUDE zender drukt u 3 maal op de toets ... en laat u deze vervolgens weer los.
03. Op de NIEUWE zender drukt u 1 maal op dezelfde toets die u bij punt 01 heeft ingedrukt en laat u deze vervolgens weer los.

Alternatieve procedure

01. Op de NIEUWE zender houdt u tenminste 3 seconden lang de toets.. ingedrukt en laat u deze toets vervolgens weer los.
02. Op de OUDE zender houdt u tenminste 3 seconden lang de toets.. ingedrukt en laat u deze toets vervolgens weer los.
03. Op de NIEUWE zender houdt u tenminste 3 seconden lang dezelfde toets ingedrukt die u bij punt 01 heeft ingedrukt en laat u deze vervolgens weer los.
04. Op de OUDE zender houdt u tenminste 3 seconden lang dezelfde toets ingedrukt die u bij punt 02 heeft ingedrukt.

5.3 - HET PROGRAMMEREN VAN EEN TIMER

De "Timer 1" en de "Timer 2" bepalen hoe lang de relais actief blijven:

- **Timer 1** bestemd voor relais 1. Deze timer bepaalt de werktijd van de relais 1 en 2, in het geval dat deze geprogrammeerd worden met de Functie 9, 11 of 13.
- **Timer 2** bestemd voor relais 3. Deze timer bepaalt de werktijd van de relais 3 en 4, in het geval dat deze geprogram-

meerd worden met de Functie 10, 12 of 14.

In de fabriek worden de twee Timers ingesteld op een tijd van 120 seconden. Deze waarde kan aan de hand van de volgende "zelfleringsprocedure" worden gewijzigd:

01. Als het relais actief is, het met een geschikte instructie deactiveren;
02. Zet de dip-switch 1 op **ON (afb. 3-L)** om de Timer 1 te programmeren of doe hetzelfde met de dip switch 2 (**afb. 3-M**) om de Timer 2 te programmeren: de led naast de dip switch gaat branden om de activering van de programmeerfase aan te geven;
03. activeer, afhankelijk van de gekozen timer, het gewenste relais door op de betreffende toets te drukken: **exact vanaf dit moment begint de tijd te lopen**;
04. Nadat de gewenste tijd verstreken is, drukt u opnieuw op de toets om het relais te deactiveren: de zojuist verstreken tijd is opgeslagen en zal de nieuwe waarde van de timer zijn;
05. Zet de gebruikte dip-switch op **OFF**: de led naast de dip switch gaat uit en de ontvanger hervat zijn normale functionering.

5.4 - HET GEHEUGEN WISSEN

• Volledig wissen van het geheugen

Om het volledige geheugen van de ontvanger of, als alternatief, alleen de opgeslagen zenders te wissen, gaat u als volgt te werk:

01. Houd de toets van de ontvanger lang ingedrukt en observeer de statusveranderingen van de **groene** Led:
na circa 4 seconden, gaat de led aan...
na circa 4 seconden, gaat de led uit...

- na circa 4 seconden, **begint hij te knipperen...**
02. Op dit punt:
- om de opgeslagen zenders te wissen, de toets van de ontvanger **exact gedurende de 3e knippering** van de led loslaten;
 - om het volledige geheugen te wissen (inclusief de configuraties en de coderingsfamilie van de zenders), de toets **exact gedurende de 5e knippering** van de led loslaten.

Deze functie kan ook worden uitgevoerd met de programmeereenheden Obox of Oview.

• Een enkele zender uit het geheugen wissen

Om een enkele zender uit het geheugen van de ontvanger te wissen, gaat u als volgt te werk:

01. Houdt de toets van de ontvanger lang ingedrukt...
02. nadat de **groene** led op de zender, die men uit het geheugen wil wissen, is aangegaan, een toets ingedrukt houden (*) totdat de led van de ontvanger 5 maal snel knippert met **groen** licht (= de zender is gewist). Op dit punt kunt u de twee toetsen loslaten.

(*) **Opmerking** – Als de zender werd opgeslagen volgens “Werkwijze I”, drukt u op een willekeurige toets; als de zender echter werd opgeslagen volgens “Werkwijze II”, drukt u op de opgeslagen toets; als er meerdere toetsen werden opgeslagen, dient u de procedure voor elk van deze toetsen te herhalen.

Deze functie kan ook worden uitgevoerd met de programmeereenheden Obox of Oview.

6 – GEAVANCEERDE PROGRAMMERING

WAARSCHUWING – Sommige van de in dit hoofdstuk beschreven programmeringen kunnen alleen worden uitgevoerd als de ontvanger gecombineerd is met inrichtingen die tot het systeem NiceOpera behoren; deze programmeringen vereisen bovendien het gebruik van de programmeereenheden Obox of Oview. De ontvanger beschikt nog over andere, niet in deze handleiding beschreven functies die het mogelijk maken de prestaties, het veiligheidsniveau en het gebruiksgemak van de automatisering nog verder te verhogen. Voor meer informatie over de beschikbare functies raadpleegt u de algemene handleiding van het systeem “NiceOpera System Book” of de instructiehandleiding van de Obox of de Oview.

• EEN WACHTWOORD IN DE ONTVANGER INVOEREN

[met Obox (ALLEEN VOOR OX4T) en Oview]

Deze functie beschermt alle in de ontvanger geprogrammeerde functies en deactiveert ook de werking van de toets en de led. De functie wordt geactiveerd door in de ontvanger een door de installateur vastgesteld **wachtwoord** in te voeren (een getal van maximaal 10 cijfers).

Wanneer de functie actief is, zijn programmering- of onderhoudswerkzaamheden aan de ontvanger alleen mogelijk na invoer van het wachtwoord. Dit moet aan het begin gedaan worden, om de ontvanger te deblokken.

• **ACTIVEREN (of deactiveren) VAN DE ONTVANGER VOOR HET OPSLAAN VAN EEN ZENDER**

[met Obox (ALLEEN VOOR OX4T)]

Met deze functie kan in de ontvanger de mogelijkheid, om een zender op te slaan via de procedure 'in de nabijheid van de ontvanger' (hoofdstuk 5, paragraaf 5.2) en/of middels de procedure met de 'activeringscode' die aanwezig is in de zenders van de serie NiceOne geactiveerd (of gedeactiveerd) worden.

De functie is nuttig om bijvoorbeeld te verhinderen dat er per ongeluk niet tot het systeem behorende zenders worden opgeslagen. Om de functie te activeren of te deactiveren, gaat u als volgt te werk:

- 01.** Geef de ontvanger stroom door de toets P1 ingedrukt te houden en wacht tot de led L1 eerst de signaleringen geeft die beschreven zijn in hoofdstuk 5.1; 2 maal snel knippert met **oranje** licht (= procedure geactiveerd) en tot slot, met een kleur aangeeft in welke activeringsstatus hij zich bevindt. Laat de toets vervolgens los
- 02.** druk binnen 5 seconden meerdere malen op de toets van de ontvanger om één van de volgende functies te kiezen:
 - Led UIT= Geen enkele blokkering actief
 - GROENE Led = Blokkering van de opslagprocedure "in de nabijheid"
 - RODE Led = Blokkering van de opslagprocedure met "activeringscode"
 - ORANJE Led = Blokkering van beide opslagprocedures ("in de nabijheid" en met "activeringscode");
- 03.** nadat u de functie geselecteerd heeft, drukt u binnen 5 seconden op een willekeurige toets op een reeds in de ontvanger opgeslagen zender, om zo de zo juist geselecteerde functie op te slaan.

• **ACTIVEREN (of deactiveren) VAN DE ONTVANGER VOOR HET OPSLAAN VAN NIEUWE ZENDERS VIA HET "CERTIFICAATNUMMER" VAN DE ONTVANGER**

[met Obox (ALLEEN VOOR OX4T)]

Met deze functie kan in de ontvanger de mogelijkheid, om een zender op te slaan via het certificaatnummer van de ontvanger geactiveerd (of gedeactiveerd) worden.

Raadpleeg voor meer informatie over het gebruik van het certificaat de instructiehandleiding van de zender en de handleiding NiceOpera System Book.

• **ACTIVEREN (of deactiveren) VAN DE BIJWERKING VAN HET "PRIORITEITSNIVEAU" VAN DE ZENDER**

[met Obox (ALLEEN VOOR OX4T)]

Met deze functie kan in de ontvanger de mogelijkheid, om een hoger prioriteitsniveau van een reeds opgeslagen zender, behorend tot de serie NiceOne, bij te werken, geactiveerd (of gedeactiveerd) worden. In de fabriek wordt deze functie geactiveerd. Raadpleeg voor meer informatie over het beheren van de prioriteit de handleiding van de Obox en de handleiding NiceOpera System Book.

• **ACTIVEREN (of deactiveren) VAN DE ONTVANGST VAN NIET-ORIGINELE "IDENTITEITSCODES" VAN DE ZENDERS**

[met Obox (ALLEEN VOOR OX4T)]

Met deze functie kan in de ontvanger de mogelijkheid, om een instructie, die ontvangen wordt van een zender met een

identiteitscode die gewijzigd is ten opzichte van de originele, in de fabriek ingestelde code, te accepteren, geactiveerd (of gedeactiveerd) worden. In de fabriek wordt deze functie geactiveerd. Raadpleeg voor meer informatie over het wijzigen van de identiteitscodes van de zenders de handleiding van de Obox.

• **ACTIVEREN (of deactiveren) VAN HET BEHEER VAN DE ROLLING CODE (RND)**

[met Obox (ALLEEN VOOR OX4T) en Oview]

Met deze functie kan de ontvanger geactiveerd (of gedeactiveerd) worden voor het beheer van het variabele deel (RND of rolling code) van een door een zender verstuurd identiteitscode. Wanneer deze functie geactiveerd is, herkent de ontvanger een code van het type “rolling code” alsof het code van het “vaste” type was, en wordt het variabele deel genegeerd. In de fabriek wordt deze functie gedeactiveerd.

• **ACTIVEREN (of deactiveren) VAN DE FUNCTIE “REPEATER”**

[met Obox (ALLEEN VOOR OX4T)]

Met deze functie kan in de ontvanger de functie voor “herhaling”, via radio, van de ontvangen instructie, en doorsturen hiervan naar een tweede bestemmingsontvanger, geactiveerd (of gedeactiveerd) worden. Bij gebruik van twee ontvangers waarvan één met de functie “Repeater” geactiveerd, is het mogelijk een automatisering aan te sturen vanaf een grotere afstand dan normaal door een gewoon zend/ontvangstelsysteem wordt gedekt.

De functie is alleen beschikbaar indien de ontvangers gebruikt worden in combinatie met zenders met de codering “O-Code”.

In de fabriek wordt deze functie gedeactiveerd. Om de functie te kunnen gebruiken, dient deze zowel in de “herhalende” ontvanger als in de gewenste zenders geactiveerd te worden.

• **ACTIVEREN (of deactiveren) VAN HET BEHEER VAN HET LOSLATEN VAN DE TOETSEN VAN DE ZENDER**

[met Obox (ALLEEN VOOR OX4T)]

Met deze functie kan in de ontvanger het synchronisme tussen het loslaten van de toets van een zender met codering “O-Code” en de respons van de automatisering op deze handeling geactiveerd (of gedeactiveerd) worden. Normaal gesproken zal, wanneer men een instructie verstuurt, de manoeuvre bij het loslaten van de toets niet meteen stoppen, maar na enkele ogenblikken (een zeer korte, vooringestelde tijd). De activering van deze functie maakt echter een onmiddellijke respons van de automatisering op het loslaten van de toets mogelijk. In de fabriek wordt deze functie gedeactiveerd.

• **ACTIVEREN (of deactiveren) VAN HET VERZENDEN VAN DE INSTRUCTIES OP HET NET “BUS T4”**

[met Oview]

Deze functie dient ervoor om in de ontvanger de mogelijkheid, om radiocodes te ontvangen en/of te versturen via de kabel “BusT4”, te activeren (of te deactiveren). In installaties die gebruikmaken van dit type aansluiting kan men, als het nodig is de automatisering aan te sturen vanaf een afstand die groter is dan normaal door een zend/ontvangstelsysteem wordt gedekt, deze functie activeren in de ontvangers (minstens 2) om het radiozendbereik te vergroten; in dit geval ontvangt de eerste ontvanger de instructie “via radio” en stuurt deze via de kabel

Bus door naar de bestemmingsontvanger (de ontvanger waarin de code van de zender, die de instructie verstuurd heeft, is opgeslagen). In de fabriek wordt deze functie gedeactiveerd.

- **UITVOERING VAN EEN INSTRUCTIE DIE VERSTUURD IS DOOR ZENDERS DIE BEHOUREN TOT EEN BEPAALDE “GROEP”**

[met Obox (ALLEEN VOOR OX4T)]

Bij het programmeren van de zenders met de Obox is het mogelijk iedere zender op te nemen in één of meer “groepen” (maximaal 4 groepen).

Wanneer de ontvanger een instructie ontvangt, controleert hij eerst tot welke groep de zender in kwestie behoort; als de groep waar hij toe behoort op dat moment geactiveerd is, stuurt de ontvanger de uitgangen aan, anders wordt de instructie geblokkeerd en gesignaleerd met **oranje knipperingen** van de led.

De groepen worden gevormd met behulp van de Obox, het gebruik van de groepen daarentegen wordt beheerd door andere inrichtingen, zoals bijvoorbeeld de Oview. Deze kan de werking van een groep zenders activeren (of deactiveren) volgens bepaalde tijdroosters.

AFVALVERWERKING VAN HET PRODUCT

Dit product is integrerend deel van de automatisering die het aanstuurt en moet dus samen daarmee worden naar de afvalverwerking gestuurd.

Wanneer de levensduur van dit product ten einde is, dienen, zoals dit ook bij de installatiewerkzaamheden het geval is, de ontmantelingswerkzaamheden door gekwalificeerde technici te worden uitgevoerd.

Dit product bestaat uit verschillende soorten materialen: sommige daarvan kunnen opnieuw gebruikt worden, terwijl andere als afval verwerkt dienen te worden. Win inlichtingen in over de methoden van hergebruik of afvalverwerking in en houd u aan de plaatselijk voor dit soort producten van kracht zijnde voorschriften.

Let op! – sommige onderdelen van het product kunnen vervuilde of gevaarlijke stoffen bevatten: indien die in het milieu zouden verdwijnen, zouden ze schadelijke gevolgen voor het milieu en de menselijke gezondheid kunnen opleveren.

Zoals dat door het symbool hiernaast is aangegeven, is het verboden dit product met het gewone huisafval weg te gooien. Scheid uw afval voor verwerking op een manier zoals die in de plaatselijke regelgeving is voorzien of lever het product bij uw leverancier in, wanneer u een nieuw gelijksoortig product koopt.



Let op! – de plaatselijke regelgeving kan in zware straffen voorzien in geval van illegale dumping van dit product.

Tabel B

SIGNALERINGEN AFGEGEVEN DOOR DE LED VAN DE ONTVANGER

— Langdurige knipperingen / kleur GROEN —

Bij inschakeling:

- 1 * = Gebruikte codering: "Flo"
- 2 * = Gebruikte codering: "O-Code"/"FloR"/"TTS"
- 3 * = Gebruikte codering: "Smilo"
- 5 * = Geen enkele afstandsbediening in het geheugen opgeslagen

Tijdens werking:

- 1 * = Dit geeft aan dat de ontvanger code niet is opgeslagen
- 1 * = Tijdens het programmeren geeft dit aan de code reeds in het geheugen is opgeslagen
- 3 * = Opslag van de code in het geheugen
- 5 * = Geheugen is gewist
- 6 * = Tijdens het programmeren geeft dit aan dat de code niet in het geheugen mag worden opgeslagen
- 8 * = Geheugen is vol

— Kortdurende knipperingen / kleur GROEN—

- 1 * = "Certificaat" niet geldig voor het in het geheugen opslaan

- 2 * = De code kan niet in het geheugen worden opgeslagen omdat het "certificaat" wordt uitgezonden
- 3 * = Tijdens het programmeren geeft dit aan dat de code opnieuw gesynchroniseerd is
- 4 * = Uitgang in "Modus II" niet beheerbaar op de besturingseenheid
- 5 * = Tijdens de procedure voor het wissen geeft dit aan dat de code is gewist
- 5 * = "Certificaat" met een hogere prioriteit dan die welke toegestaan is
- 6 * = Code buiten synchronisme
- 6 * = Code kan niet in het geheugen worden opgeslagen als gevolg van een "foutieve sleutel"

— Langdurige knipperingen / kleur ROOD —

- 1 * = Blokkering van niet-originele code
- 2 * = Code met lagere prioriteit dan die welke geautoriseerd is

— Kortdurende knipperingen / kleur ROOD —

- 1 * = Blokkering van programmering "op afstand"
- 1 * = Blokkering van geheugenopslag via "certificaat"
- 2 * = Blokkering van het geheugen (invoer PIN)

— Langdurige knipperingen / kleur ORANJE —

- 1 * = Dit signaleert dat de code in het geheugen is maar buiten "het tijdsbestek"

— Kortdurende knipperingen / kleur ORANJE —

- 2 * = Dit signaleert de activering van de programmering van de blokkering (bij het inschakelen)

TECHNISCHE GEGEVENS VAN HET PRODUCT

• Voeding:	110 ÷ 240 Vac 50/60 Hz
• Max. opgenomen stroom:	80 mA
• Coderingen:	O-Code / TTS / FloR (rolling code); of Smilo (rolling code) of Flo.
• Frequentie:	433.92 MHz
• Impedantie antenne:	52 ohm
• Gevoeligheid:	beter dan 0,5µV voor volledig verzonden signaal
• Bereik:	geschat op 200 m in open ruimtes en 35 m in gebouwen
• Uitgestraald vermogen (alleen voor OX4T):	+2dBm
• Aantal zenders dat kan worden opgeslagen:	1024 (maximum)
• Uitgangen:	4 relais met contacten NA en NC, potentiaalvrij
• Capaciteit van de contacten:	5A - 250V
• Max. stroom BusT4:	200 mA
• Tijd van de timers:	programmeerbaar van 2 seconden tot 540 minuten
• Beschermingsklasse:	IP44 (met intacte houder)
• Bedrijfstemperatuur:	-20 ÷ 55 °C
• Afmetingen / gewicht:	128 x 112 x 43 mm / 260 g

Opmerkingen bij de technische gegevens van het product:

- De werkingsafstand tussen zenders en ontvangers (bereik) wordt sterk beïnvloed door andere inrichtingen die in hetzelfde gebied en op dezelfde frequentie werken (bijvoorbeeld: alarmsystemen, hoofdtelefoons etc.). In dergelijke gevallen kan Nice geen enkele garantie bieden met betrekking tot het effectieve bereik van haar inrichtingen.
- Alle vermelde technische gegevens hebben betrekking op een omgevingstemperatuur van 20° C (± 5° C).
- Nice behoudt zich het recht voor om, op elk moment dat dit noodzakelijk geacht wordt, wijzigingen aan het product aan te brengen, waarbij hoe dan ook de gebruiksbestemming en de functionaliteit ervan gelijk blijven.

EG-VERKLARING VAN OVEREENSTEMMING

Verklaring in overeenstemming met de Richtlijn 1999/5/EG

Opmerking – in deze verklaring van overeenstemming is de inhoud opgenomen van de afzonderlijke verklaringen van overeenstemming van de afzonderlijke vermelde producten; de verklaring is bijgewerkt op de datum van uitgave van deze handleiding en werd om uitgeversredenen heraangepast. Een kopie van de originele verklaring voor elk van de producten kan worden aangevraagd bij Nice S.p.A. (TV) I.

Nummer verklaring: 283/OX4

Revisie: 2

Taal: NL

Ondergetekende Luigi Paro, in diens hoedanigheid van gedelegeerd bestuurder, verklaart onder zijn eigen verantwoordelijkheid dat het product:

Firmanaam: Firmanaam: NICE S.p.A.

Adres: Via Pezza Alta 13, Z.I. Rustignè, 31046 Oderzo (TV) Italië

Type: Zender/ontvanger 433,92MHz voor afstandsbediening van poorten, hekken, rolpoorten, rolluiken, verlichtingen en gelijkwaardige toepassingen

Modellen: OX4, OX4T

Uitrustingen:

Voldoet aan de volgende communautaire richtlijn:

- 1999/5/EG RICHTLIJN 1999/5/EG VAN HET EUROPEES PARLEMENT EN VAN DE RAAD van 9 maart 1999 met betrekking tot radioapparatuur en eindtelecommunicatieapparatuur en de wederzijdse erkenning van hun conformiteit, volgens de volgende geharmoniseerde normen:
 - Bescherming van de gezondheid (art. 3(1)(a)): EN 50371:2002
 - Elektrische veiligheid (art. 3(1)(a)): EN 60950-1:2006 + A11:2009
 - Elektromagnetische compatibiliteit (art. 3(1)(b)): EN 301 489-1 V1.8.1:2008, EN 301 489-3 V1.4.1:2002
 - Radiospectrum (art. 3(2)): EN 300 220-2 V2.3.1:2010

Oderzo, 31 mei 2012

ing. Luigi Paro
(gedelegeerd bestuurder)





Nice

Nice SpA
Oderzo TV Italia
info@niceforyou.com

www.niceforyou.com